



US00D966866S

(12) **United States Design Patent** (10) **Patent No.:** **US D966,866 S**
Woodley et al. (45) **Date of Patent:** **** Oct. 18, 2022**

(54) **LOCK AND UNLOCK INDICATOR**

(71) Applicant: **dormakaba USA Inc.**, Indianapolis, IN (US)

(72) Inventors: **Jamison D. Woodley**, Indianapolis, IN (US); **Yang Wei**, Shenzhen (CN)

(73) Assignee: **dormakaba USA Inc.**, Indianapolis, IN (US)

(**) Term: **15 Years**

(21) Appl. No.: **29/696,700**

(22) Filed: **Jun. 29, 2019**

(51) **LOC (13) Cl.** **08-07**

(52) **U.S. Cl.**

USPC **D8/343**; D8/331

(58) **Field of Classification Search**

USPC D8/330-333, 336, 338, 343-346, D8/300-302, 306-329; D14/491, 492, D14/485, 489

CPC E05B 69/003; E05B 71/00; E05B 73/005; E05B 17/142; E05B 47/0011; E05B 47/00; E05B 41/00; E05B 47/06; E05B 47/0001; E05B 47/0615; E05B 47/0012; E05B 15/02; E05B 65/466; E05B 65/469; E05B 13/001; E05B 13/007; E05B 13/00; E05B 13/10; E05B 65/44; E05B 65/46; E05B 65/462; E05B 65/463; E05B 65/461; E05B 65/464; E05B 51/00; E05B 35/00; E05B 39/00; E05B 17/14; E05B 2047/0086; B62H 5/001; Y10T 70/5155; Y10T 70/5199; A47F 3/00; A47F 3/005; A47F 3/007; A47F 7/024; G07C 9/00563

See application file for complete search history.

(56) **References Cited**

U.S. PATENT DOCUMENTS

D353,532 S * 12/1994 Miller D8/341
D628,587 S * 12/2010 Vandeberghe D14/492
D683,755 S * 6/2013 Phelan D14/489
D685,249 S * 7/2013 Friedli D8/330

(Continued)

FOREIGN PATENT DOCUMENTS

CN 304918272 * 6/2018
CN 305354798 * 3/2019

(Continued)

OTHER PUBLICATIONS

Beacon, Classroom Door Security, Date first available from wayback date Jun. 4, 2018, [online]retrieved May 11, 2021, available from wayback <https://web.archive.org/web/20180930130925/http://www.beaconcdl.com/classroom-door-security/> (Year: 2018).*

(Continued)

Primary Examiner — Keli L Hill

Assistant Examiner — Sara S Sahneh

(74) *Attorney, Agent, or Firm* — Faegre Drinker Biddle & Reath LLP

(57) **CLAIM**

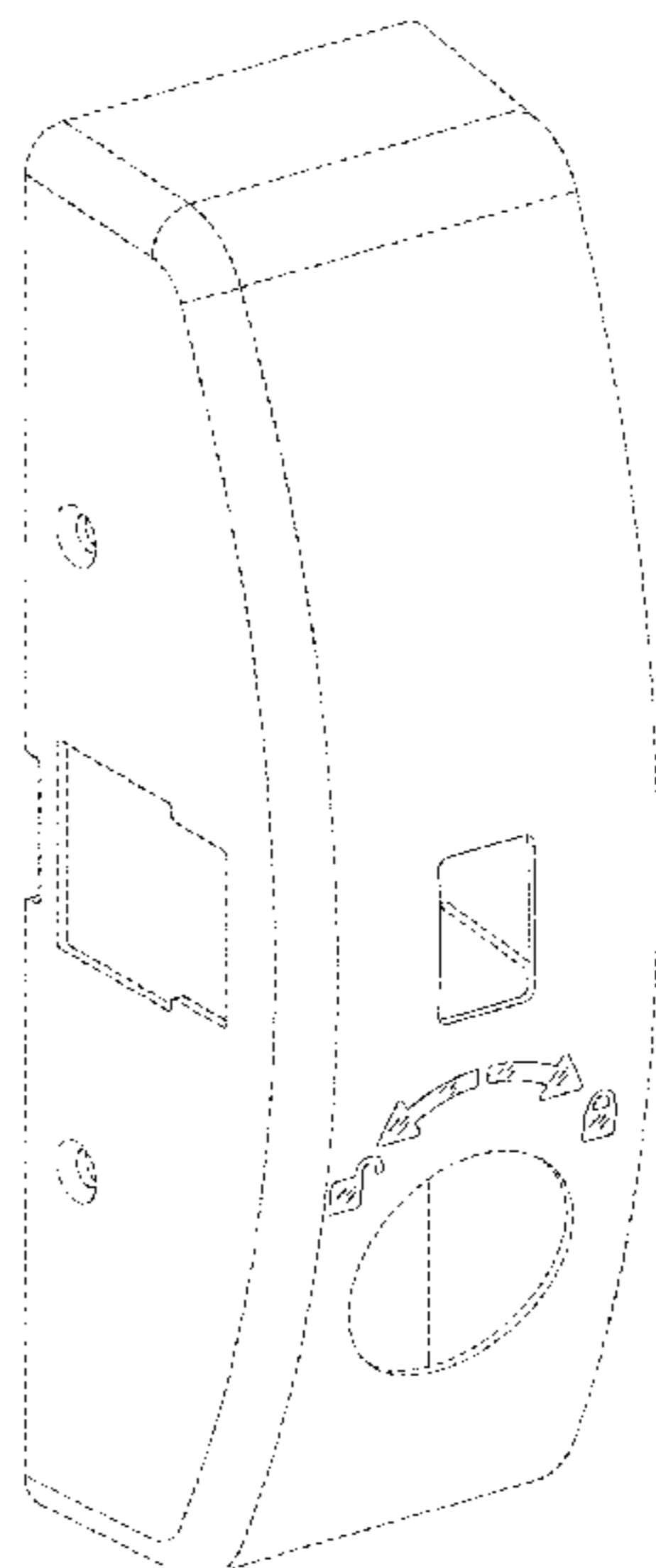
The ornamental design for a lock/unlock indicator, as shown and described.

DESCRIPTION

FIG. 1 is a front perspective view of a lock/unlock indicator illustrating my new design;
FIG. 2 is a front view thereof;
FIG. 3 is a rear view thereof;
FIG. 4 is a left side view thereof;
FIG. 5 is a right side view thereof;
FIG. 6 is a top view thereof; and,
FIG. 7 is a bottom view thereof.

The broken lines shown are included for the purpose of illustrating portions of the lock and unlock indicator that form no part of the claim.

1 Claim, 4 Drawing Sheets



(56)

References Cited

U.S. PATENT DOCUMENTS

D718,113 S * 11/2014 Di Nicola Ciaranca D8/310
 D738,913 S * 9/2015 Cabrera-Cordon D14/491
 9,273,495 B2 3/2016 Tien
 9,435,141 B2 9/2016 Tien
 9,569,066 B2 * 2/2017 Van Lancker G09B 29/106
 D794,676 S * 8/2017 Daniel D14/491
 D803,872 S * 11/2017 Cole D14/488
 D819,690 S * 6/2018 Choi D14/492
 D826,983 S * 8/2018 Hamaguchi D14/491
 D826,984 S * 8/2018 Gatts D14/492
 D840,434 S * 2/2019 Haverstock D14/492
 D851,126 S * 6/2019 Tauban D14/492
 D851,127 S * 6/2019 Tauban D14/492
 D888,762 S * 6/2020 Butcher D14/491
 D894,229 S * 8/2020 Hoofard D14/492
 D904,424 S * 12/2020 Hansen D14/485
 D909,175 S * 2/2021 Wu D8/331
 D912,089 S * 3/2021 Ocando Roehricht D14/492
 2005/0081164 A1 * 4/2005 Hama H04M 1/72469
 715/830
 2013/0150128 A1 * 6/2013 Tsunoda G06F 3/04883
 455/566
 2014/0245798 A1 * 9/2014 Beckman E05B 13/002
 70/14
 2018/0066450 A1 3/2018 Voelker
 2020/0157856 A1 * 5/2020 Kim E05B 77/265
 2020/0408002 A1 * 12/2020 Woodley E05B 17/20

FOREIGN PATENT DOCUMENTS

CN 305806969 * 7/2019
 CN 305848401 * 1/2020
 CN 306116534 * 6/2020

OTHER PUBLICATIONS

Redtron, Child Proof Safety Locks, Date first available Apr. 21, 2019, [online]retrieved Feb. 16, 2021, available from [Probrico Store, Electronic Keypad Deadbolt, Date first available Jun. 18, 2020, \[online\]retrieved Jun. 24, 2021, available from \[Product brochure for Best 9K Series Intruder Function lock, bestaccess.com, 2017.\]\(https://www.amazon.com/Probrico-Electronic-Deadbolt-Camelot-Cylinder/dp/B08BFL66F3/ref=sr_1_17?dchild=1&keywords=Lockey+Digital+Door+Lock+M220+Surface+Mount+Deadbolt&qid=1614803709& \(Year: 2020\).*

 Anikia, Depositphoto, Date first available Sept 6, 2019 \[online\]retrieved Jul. 14, 2021, available from, <a href=\)](https://www.amazon.ca/Upgraded-Adjustable-Adhesive-Cabinets-Drilling/dp/B07R1RBDM4/ref=pd_day0_11?pd_rd_w=tShLC&pf_rd_p=a0f07c06-3bfe-427e-9527-5be8cea27b66&pf_rd_r=3PYT4GPHETW74Q63WFC& (Year: 2019).*

 Wassers, Child Safety Oven Door Lock, Date first available Dec. 3, 2019, [online]retrieved Feb. 16, 2021, available from <a href=)

* cited by examiner

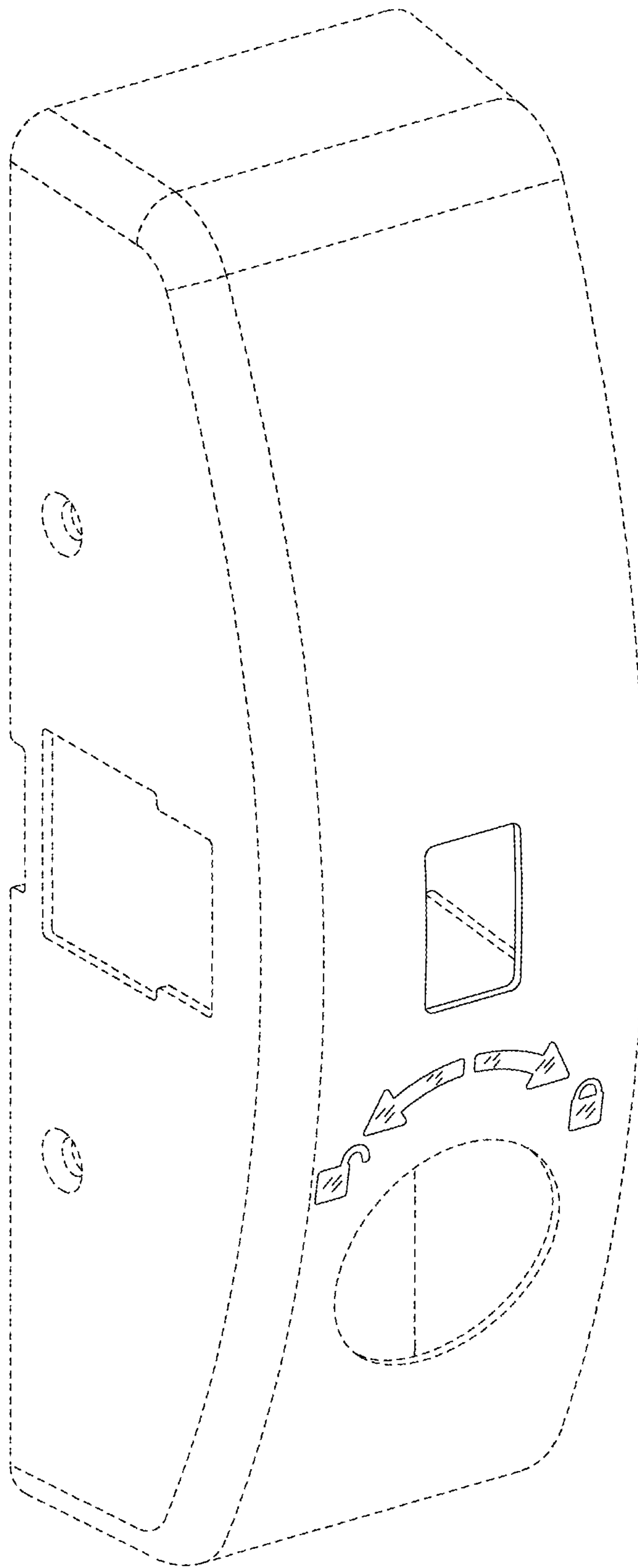


Fig. 1

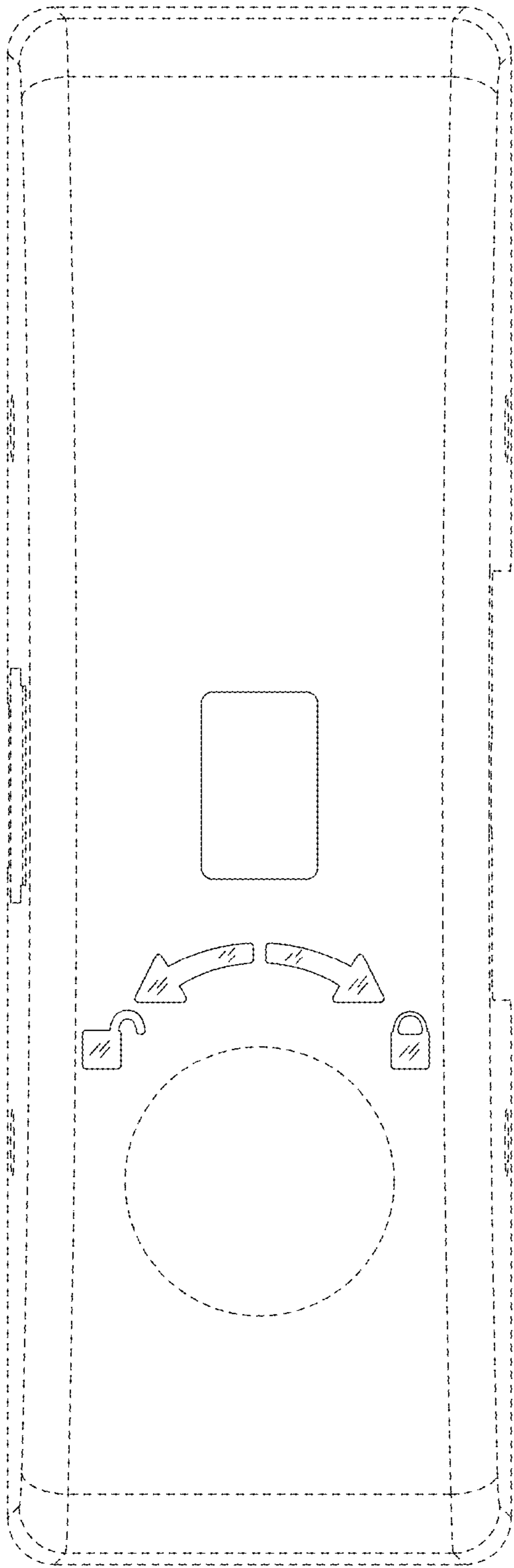


Fig. 2

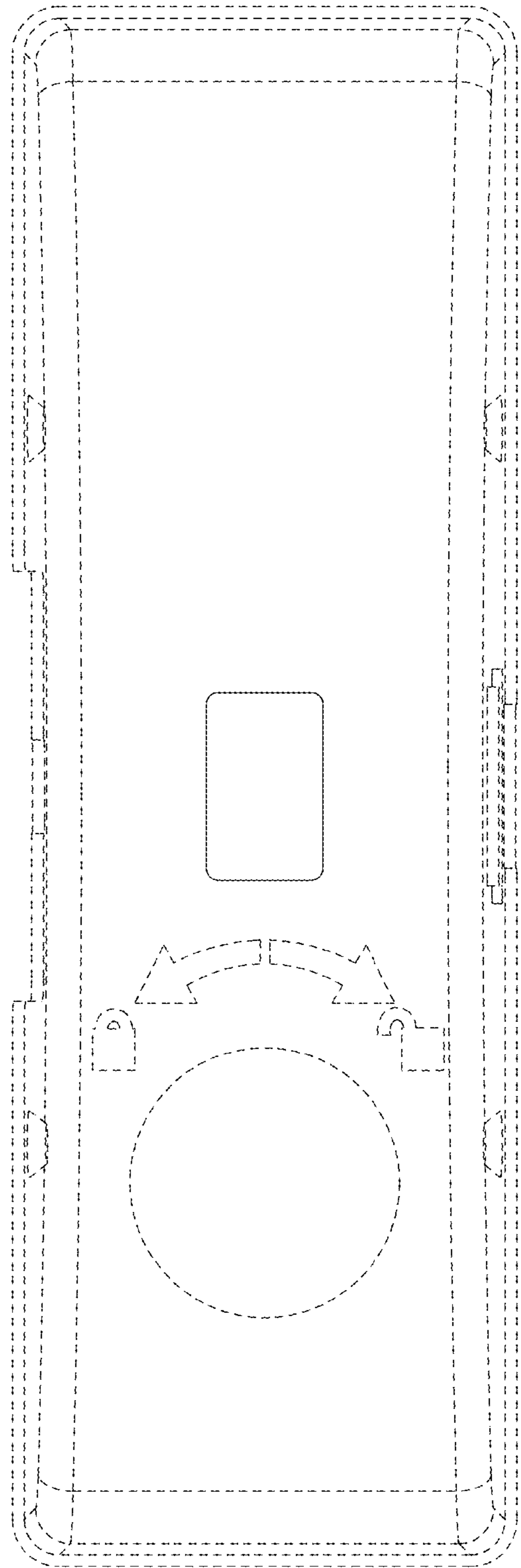


Fig. 3

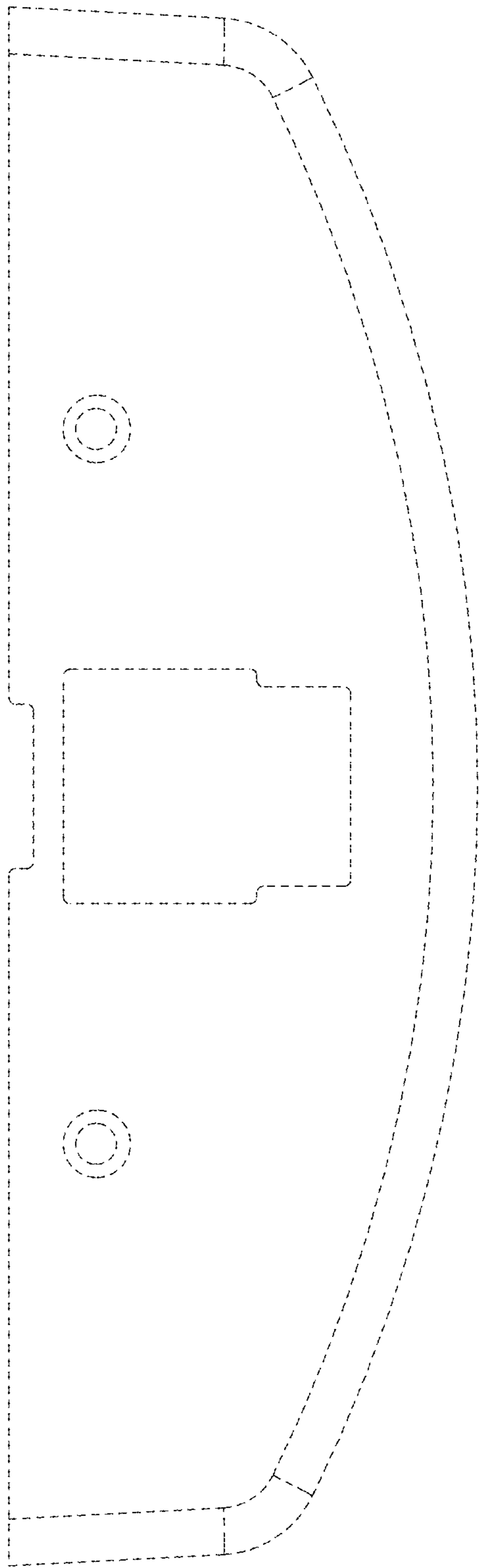


Fig. 4

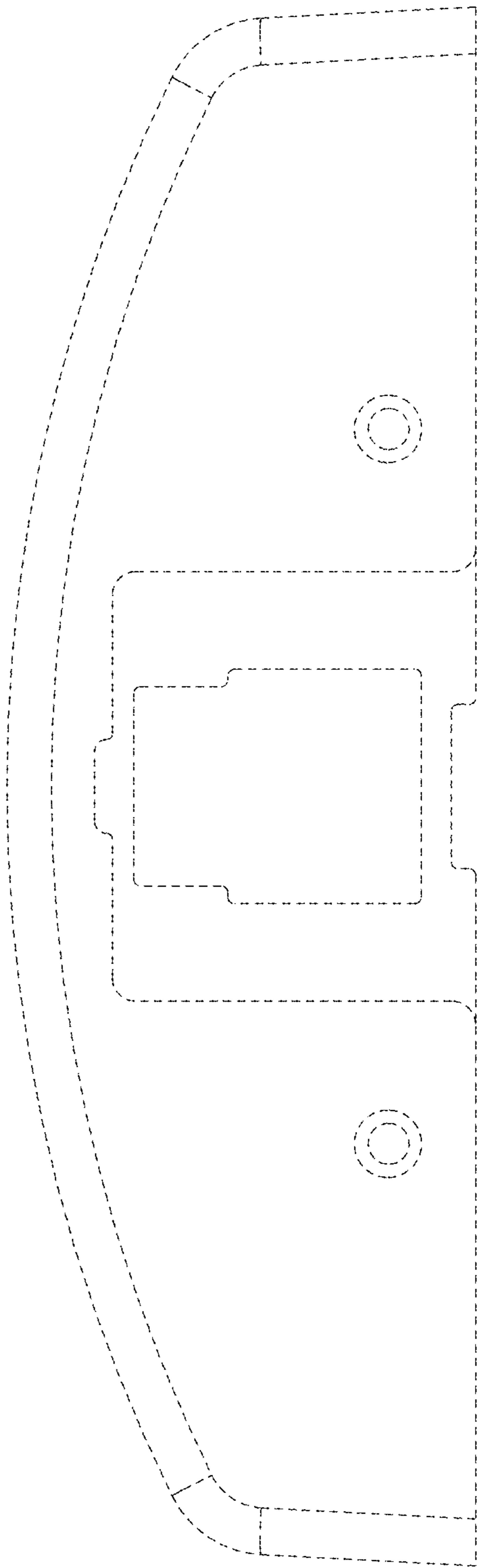


Fig. 5

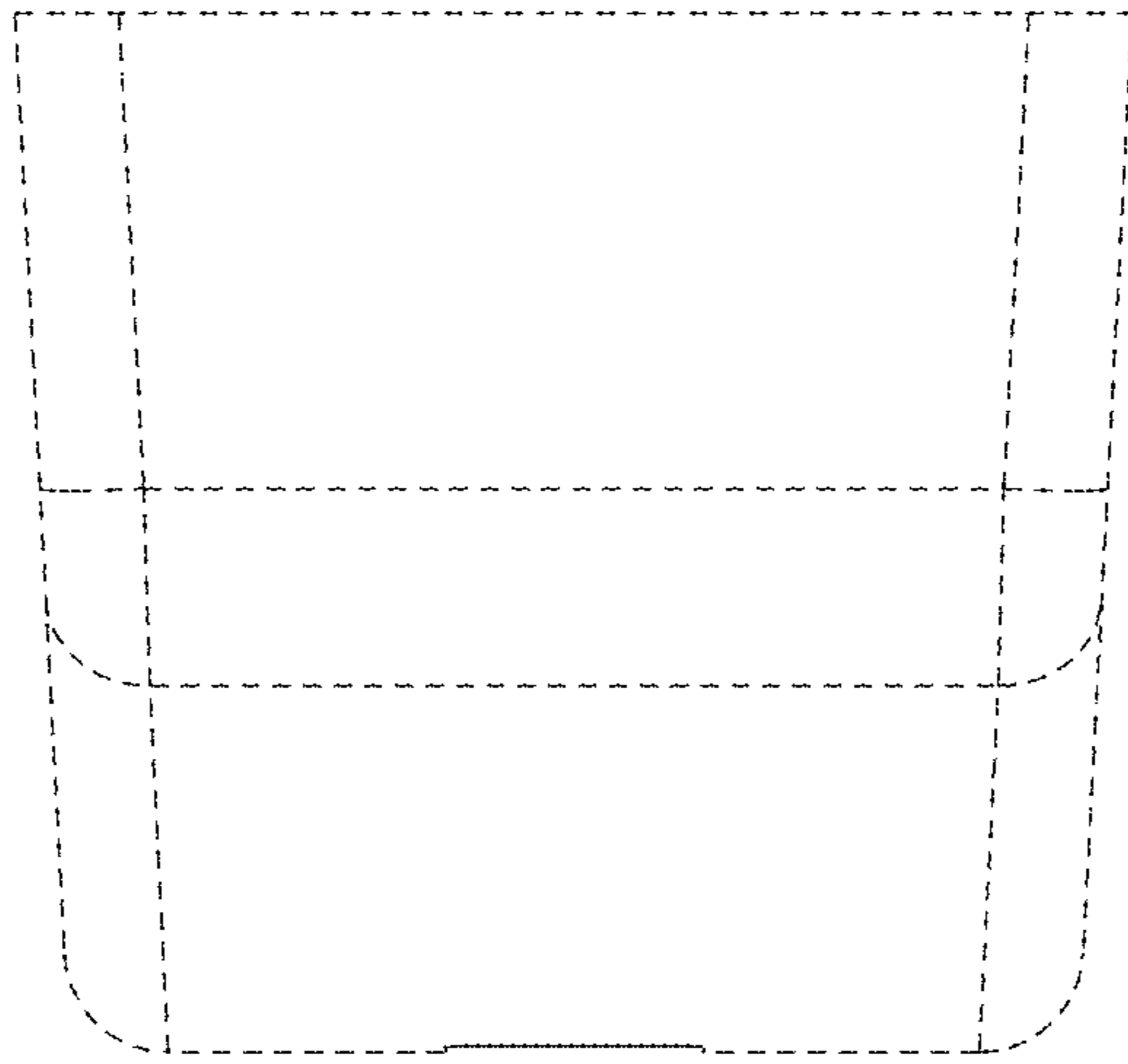


Fig. 6

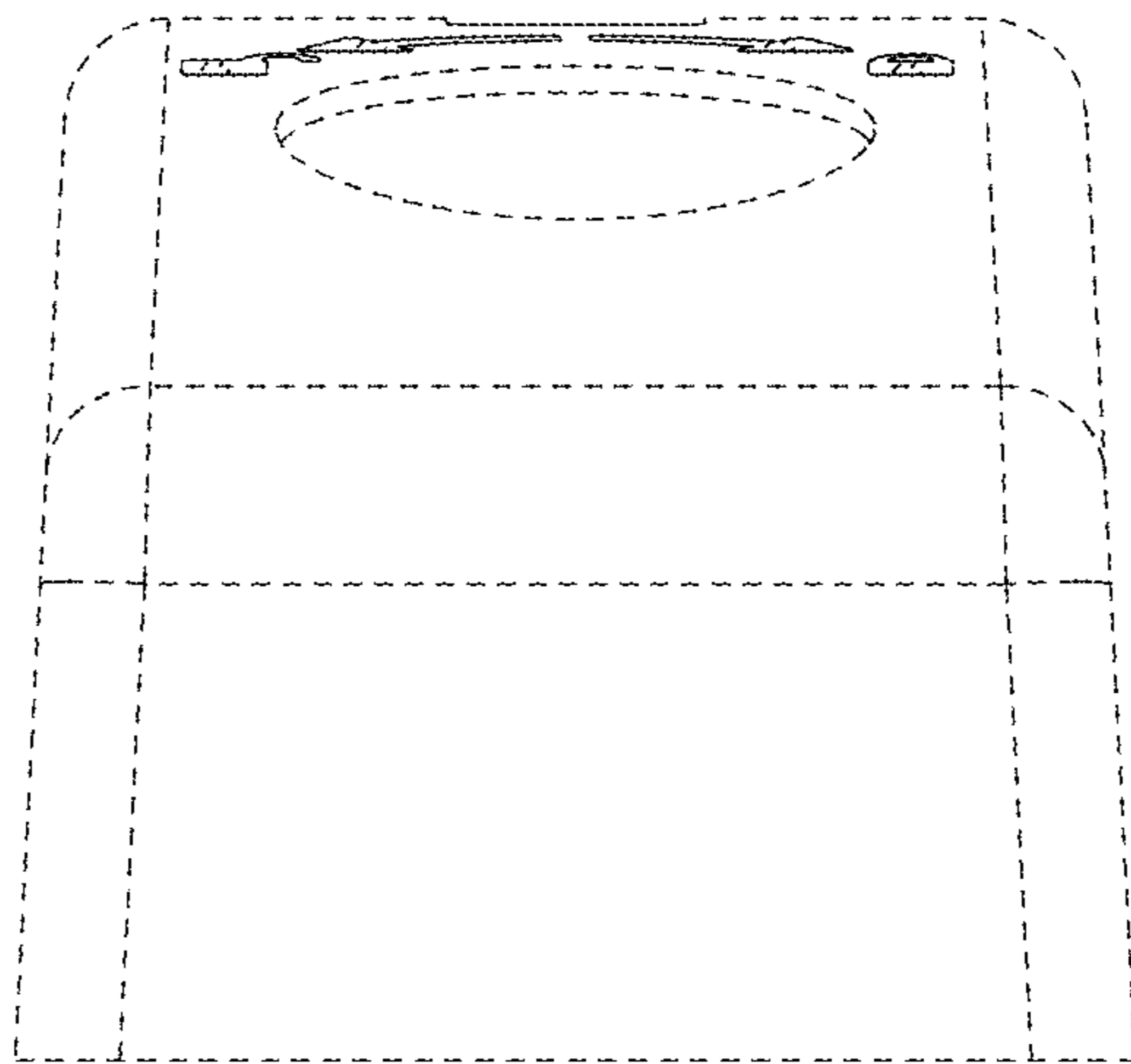


Fig. 7