



US00D966865S

(12) **United States Design Patent**  
**Chu et al.**

(10) **Patent No.:** **US D966,865 S**

(45) **Date of Patent:** **\*\* Oct. 18, 2022**

(54) **DOOR HANDLE**

(71) Applicant: **TONG LUNG METAL INDUSTRY CO., LTD.**, Minxiong Township, Chiayi County (TW)

(72) Inventors: **Mei-Ching Chu**, Chiayi (TW); **Pei-Ting Huang**, Chiayi (TW); **Shih-Kai Hsu**, Chiayi (TW); **Suh-You Yang**, Chiayi (TW)

(73) Assignee: **TONG LUNG METAL INDUSTRY CO., LTD.**, Minxiong Township (TW)

(\*\*) Term: **15 Years**

(21) Appl. No.: **29/788,300**

(22) Filed: **Apr. 28, 2021**

(30) **Foreign Application Priority Data**

Nov. 26, 2020 (TW) ..... 109306623

(51) **LOC (13) Cl.** ..... **08-06**

(52) **U.S. Cl.**  
USPC ..... **D8/308**

(58) **Field of Classification Search**  
USPC ..... D8/300-302, 307-309, 310, 311, D8/DIG. 10; D23/250, 252  
CPC ..... Y10T 16/44; Y10T 74/20612; Y10T 74/20732; Y10T 16/458; Y10T 16/498; Y10T 16/469; Y10T 16/476; Y10T 74/20744; Y10T 74/20864; Y10T 16/4628; Y10T 74/20642; Y10T 16/473; Y10T 74/20762; Y10T 74/2042; Y10T 74/20828; Y10T 16/459; Y10T 16/4713; Y10T 74/2014; Y10T 16/50; Y10T 74/20438; Y10T 74/20582; Y10T 74/20738; Y10T 16/48; Y10T 74/20618; Y10T 74/20684; Y10T 74/20624; Y10T 74/20468; Y10T 16/61; Y10T 16/4719; Y10T 16/86; Y10S 16/30; Y10S 292/31; Y10S 292/53; Y10S 16/12; Y10S 292/23;

Y10S 292/27; Y10S 292/30; Y10S 292/63; E05B 85/16; E05B 1/0015; E05B 77/06; E05B 79/06; E05B 85/18; E05B 85/12; E05B 85/10; E05B 7/00; E05B 1/0053; E05B 77/265

See application file for complete search history.

(56) **References Cited**

**U.S. PATENT DOCUMENTS**

D83,157	S	*	1/1931	Graff	.....	D8/308
D238,928	S	*	2/1976	Kipp	.....	D8/107
5,813,708	A	*	9/1998	Shen	.....	E05B 15/04 292/336.3
D457,050	S	*	5/2002	Caspersz	.....	D8/308
D521,607	S	*	5/2006	Blomstrom	.....	D23/252
D698,220	S	*	1/2014	Watson	.....	D8/308
D745,359	S	*	12/2015	Sun	.....	D8/308
D838,572	S	*	1/2019	Su	.....	D8/301
D843,195	S	*	3/2019	Ronge	.....	D8/308

(Continued)

*Primary Examiner* — Lauren R Calve

(74) *Attorney, Agent, or Firm* — MLO, a professional corp.

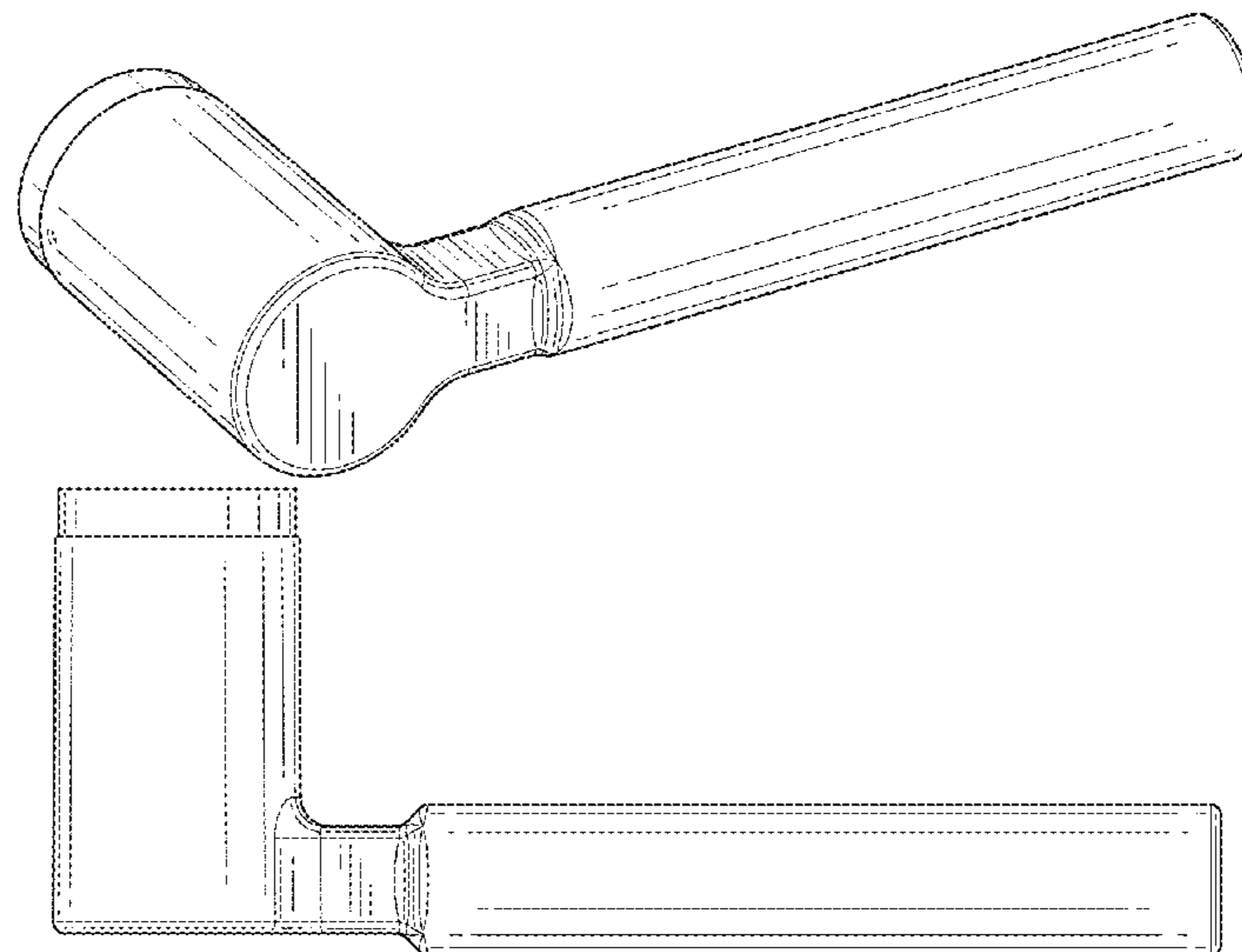
(57) **CLAIM**

The ornamental design for a door handle, as shown and described.

**DESCRIPTION**

FIG. 1 is a perspective view of a door handle showing our new design;  
FIG. 2 is a front elevational view thereof;  
FIG. 3 is a rear elevational view thereof;  
FIG. 4 is a left side elevational view thereof;  
FIG. 5 is a right side elevational view thereof;  
FIG. 6 is a top plan view thereof; and,  
FIG. 7 is a bottom plan view thereof.  
The broken lines are for illustrating portions of the article which form no part of the claimed design.

**1 Claim, 4 Drawing Sheets**



(56)

**References Cited**

U.S. PATENT DOCUMENTS

10,508,468 B2 \* 12/2019 Murphy ..... E05B 3/04  
2017/0107739 A1 \* 4/2017 Ruff ..... E05B 1/003

\* cited by examiner

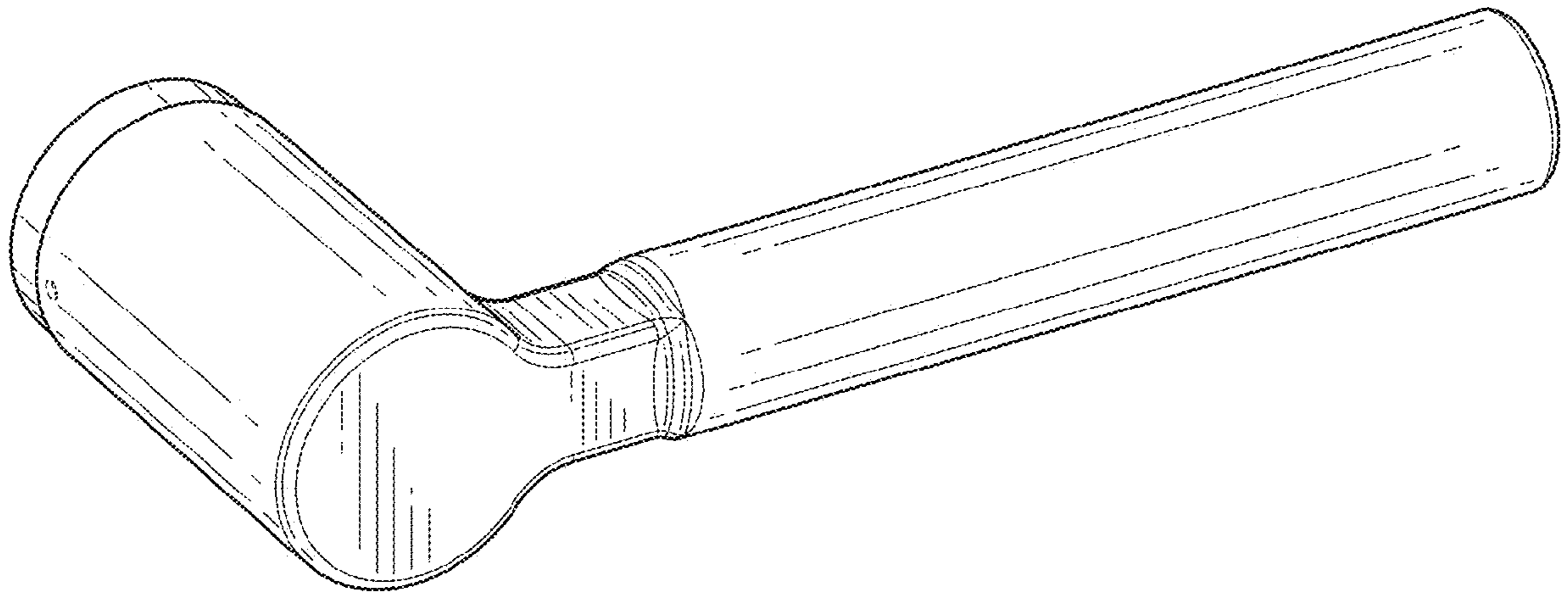


FIG. 1

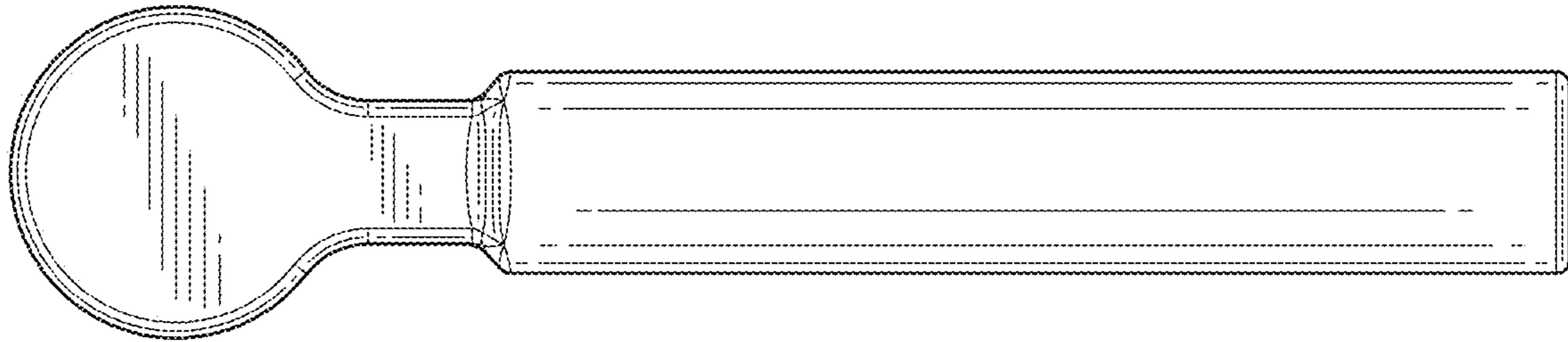


FIG. 2

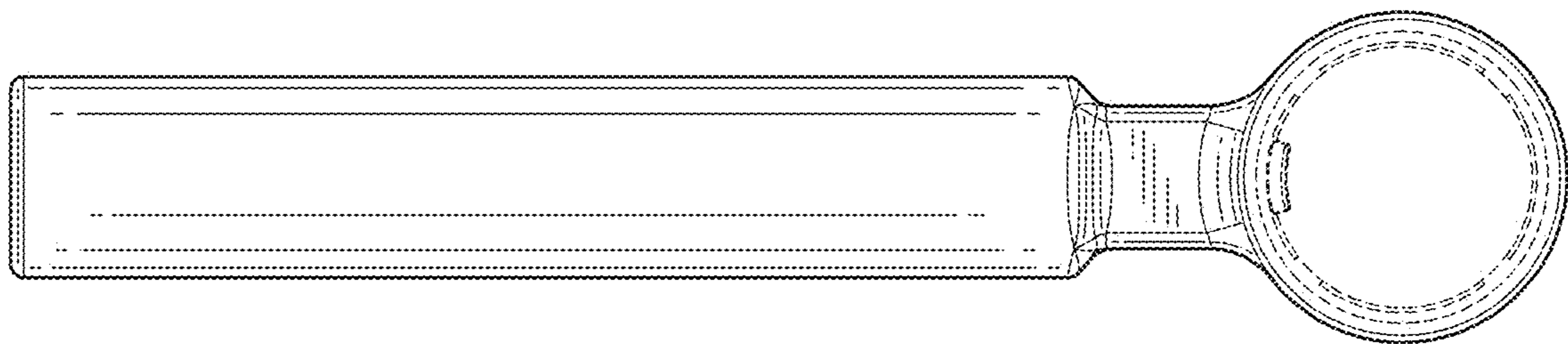


FIG. 3

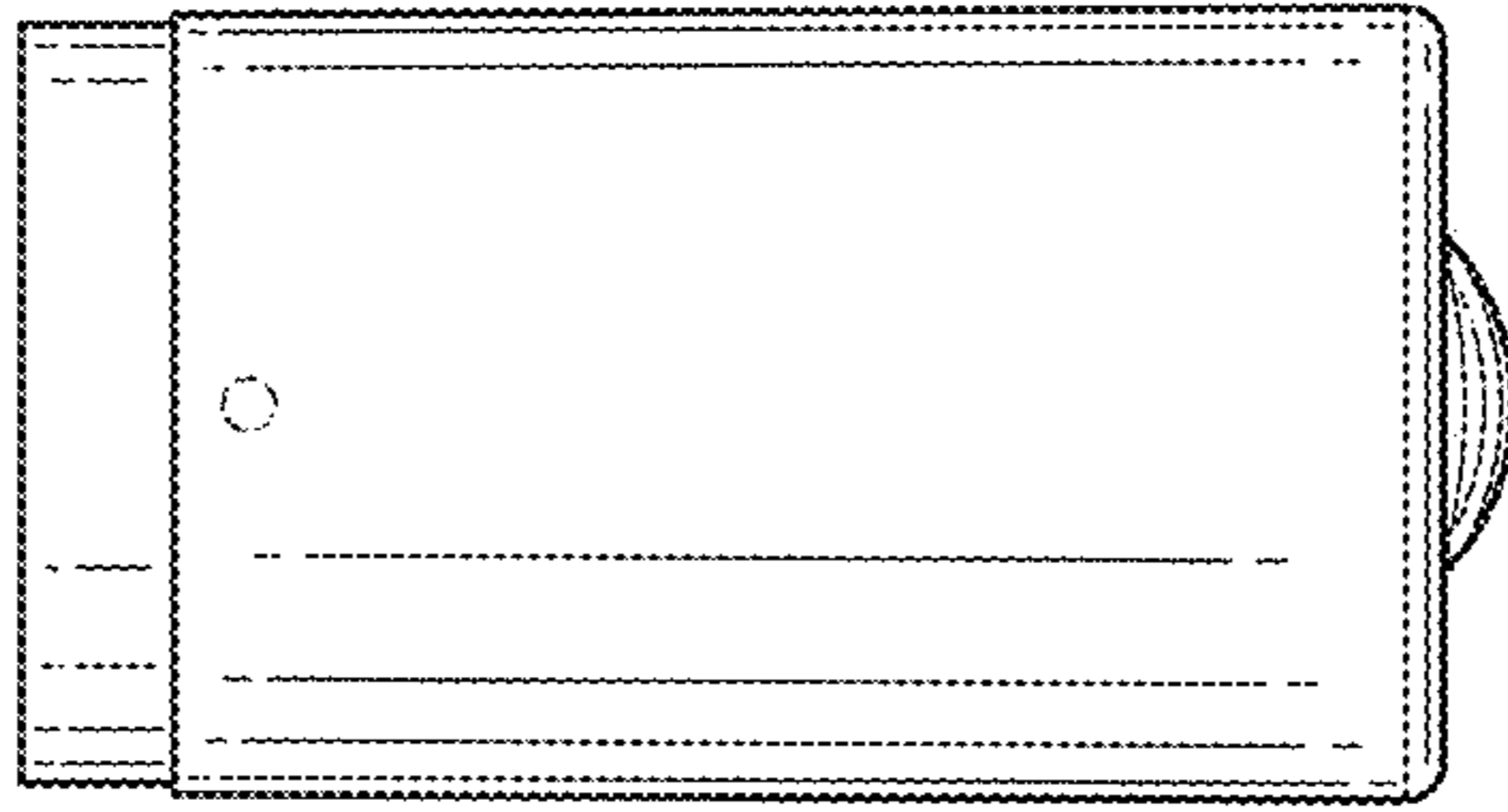


FIG. 4

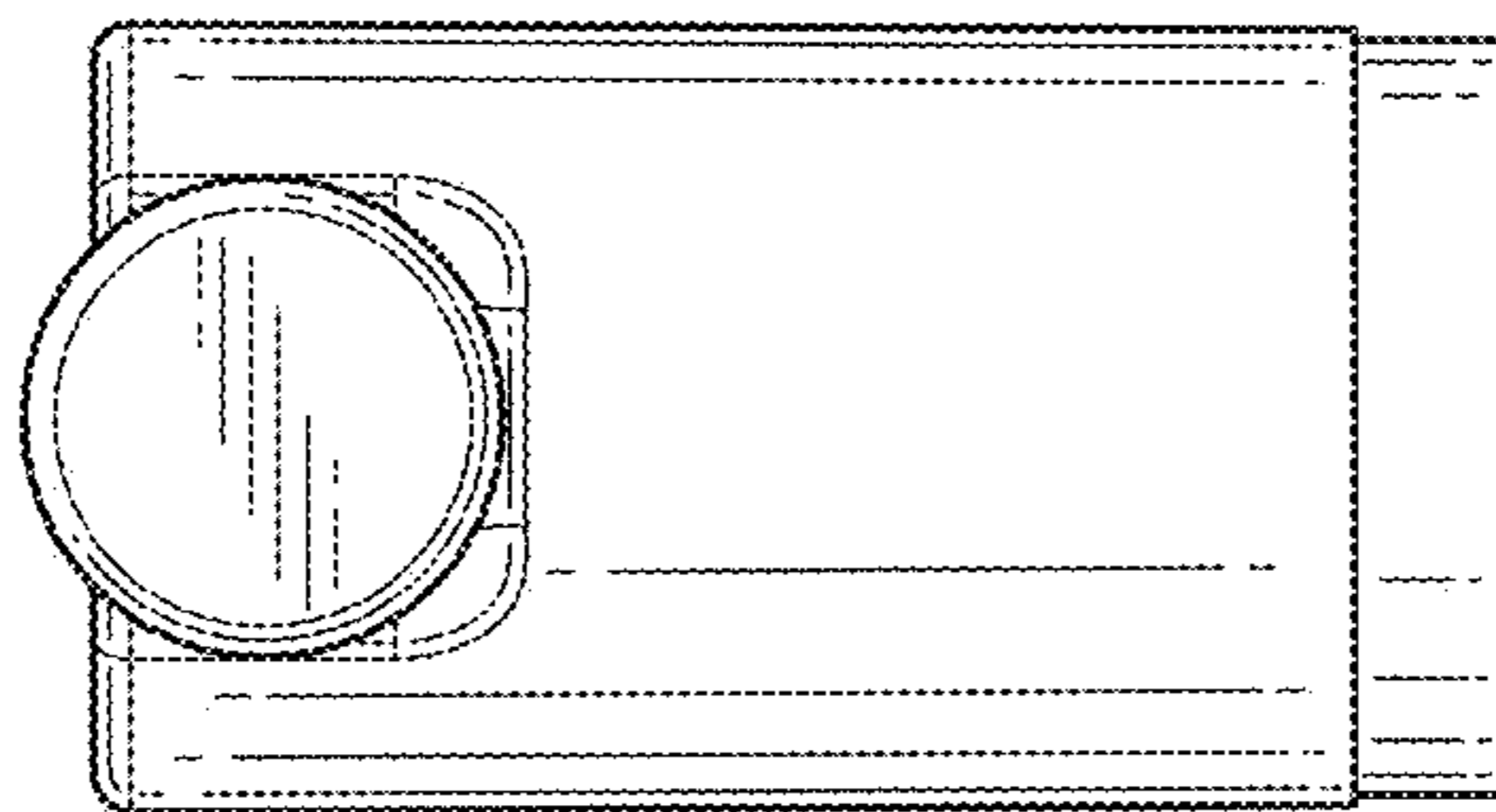


FIG. 5

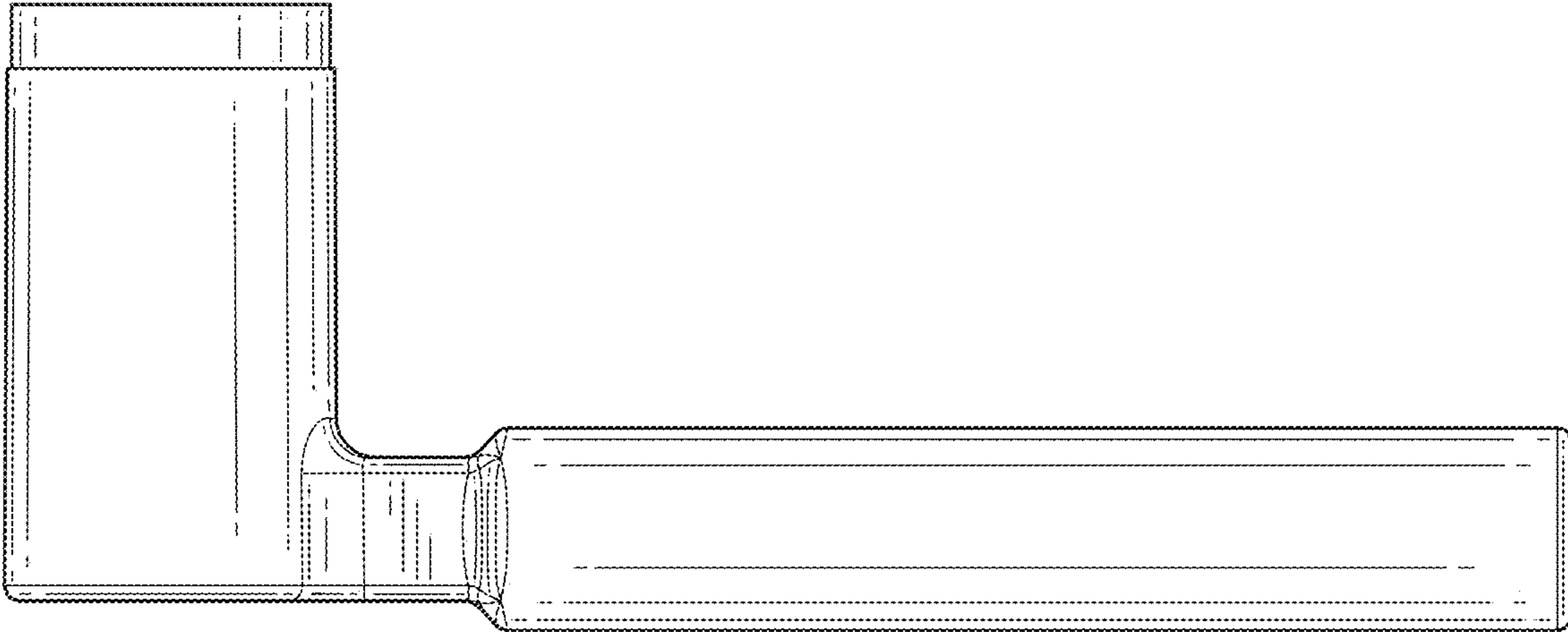


FIG. 6

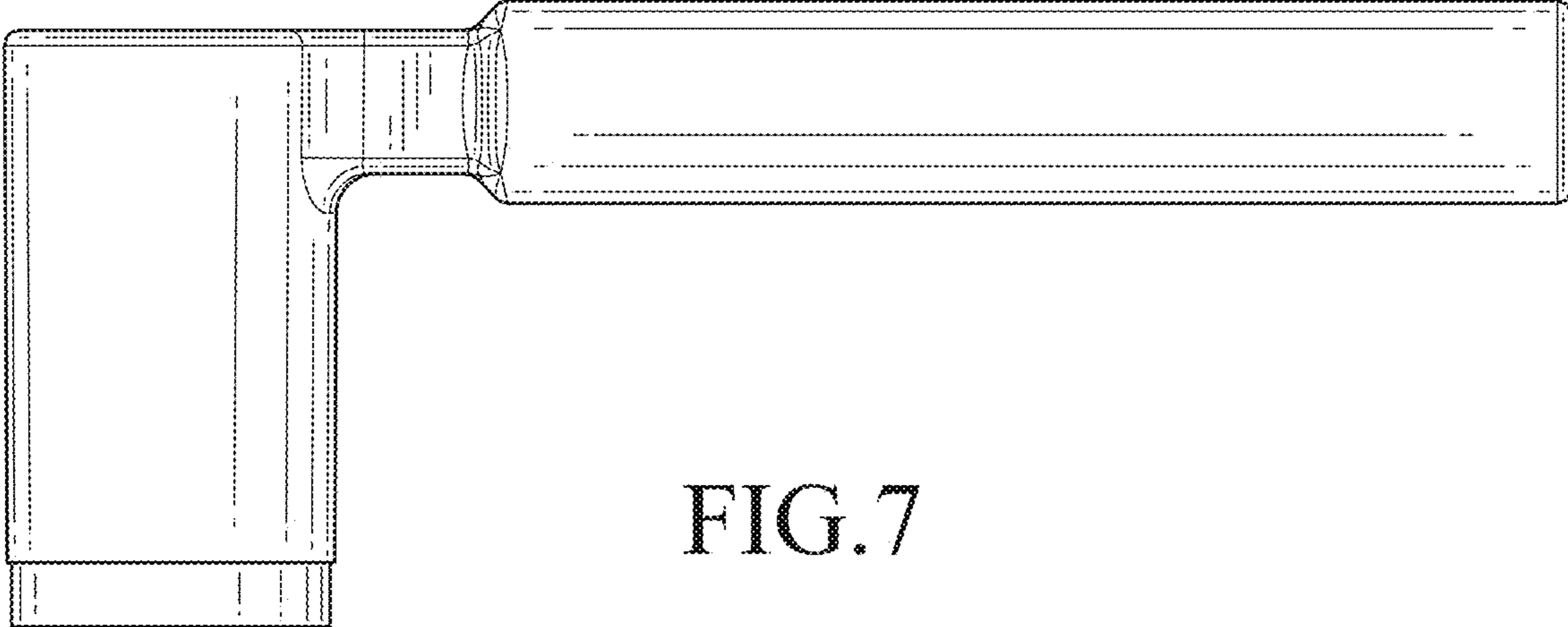


FIG. 7