



US00D966863S

(12) **United States Design Patent**
Weber et al.

(10) **Patent No.:** **US D966,863 S**

(45) **Date of Patent:** **** Oct. 18, 2022**

(54) **UTILITY KNIFE**

(71) Applicant: **Fiskars Finland Oy Ab**, Helsinki (FI)

(72) Inventors: **Emery Weber**, Helsinki (FI); **Stephen Dechant**, Helsinki (FI); **Dan Cunningham**, Helsinki (FI); **Sara Kasbekar**, Helsinki (FI)

(73) Assignee: **FISKARS FINLAND OY AB**, Helsinki (FI)

(**) Term: **15 Years**

(21) Appl. No.: **29/756,104**

(22) Filed: **Oct. 26, 2020**

(51) **LOC (13) Cl.** **08-03**

(52) **U.S. Cl.**
USPC **D8/99**

(58) **Field of Classification Search**
USPC D8/98, 99, 107, 14, 20; D22/118
CPC B26B 5/001; B26B 5/003; B26B 11/00;
B26B 1/08; B26B 1/02; B26B 1/10;
B26B 1/04; B26B 1/046; B26B 1/048;
B26B 1/042
See application file for complete search history.

(56) **References Cited**

U.S. PATENT DOCUMENTS

7,552,537	B2 *	6/2009	Ye	B26B 1/042	30/155
7,814,664	B2 *	10/2010	LeBlanc	B26B 1/042	30/161
D645,719	S *	9/2011	Wu	D8/99	
8,567,069	B2 *	10/2013	Robinson	B26B 5/00	30/155
D712,228	S *	9/2014	Rohrbach	D8/99	
8,938,883	B2 *	1/2015	Gringer	B26B 1/046	30/155
D756,191	S *	5/2016	Horovitz	D8/99	

D829,525	S *	10/2018	Wong	D8/99	
10,144,139	B2 *	12/2018	Squiers	B26B 5/003	
D840,774	S *	2/2019	Dechant	D8/14	
D848,235	S *	5/2019	Dechant	D8/99	
D881,667	S *	4/2020	Han	D8/99	
D938,252	S *	12/2021	Medhurst	D8/99	
2009/0165309	A1 *	7/2009	Kamb	B26B 1/02	30/161

(Continued)

Primary Examiner — Philip S Hyder

(74) *Attorney, Agent, or Firm* — Leason Ellis LLP

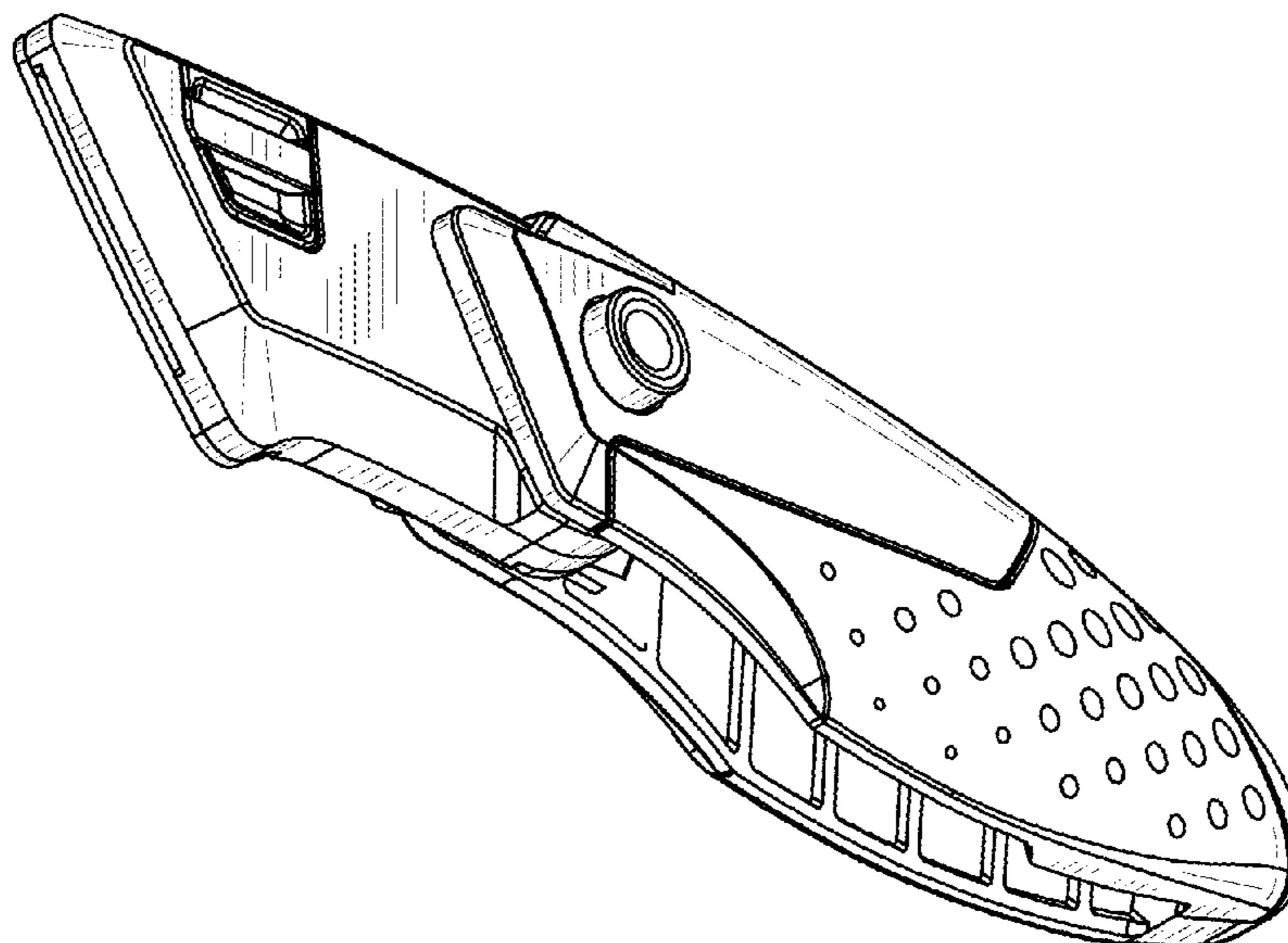
(57) **CLAIM**

The ornamental design for a utility knife, as shown and described.

DESCRIPTION

FIG. 1 is a perspective view of a utility knife according to a First Embodiment of our new design;
 FIG. 2 is a left-side view thereof;
 FIG. 3 is a right-side view thereof;
 FIG. 4 is a front view thereof;
 FIG. 5 is a rear view thereof;
 FIG. 6 is a top plan view thereof;
 FIG. 7 is a bottom plan view thereof;
 FIG. 8 is a perspective view of a utility knife according to a Second Embodiment of our new design;
 FIG. 9 is a left-side view thereof;
 FIG. 10 is a right-side view thereof;
 FIG. 11 is a front view thereof;
 FIG. 12 is a rear view thereof;
 FIG. 13 is a top plan view thereof; and,
 FIG. 14 is a bottom plan view thereof.
 Conventional shading is illustrated for purposes of highlighting the line drawings, but forms no part of the claimed design.
 The broken line showing of portions of the utility knife is included for the purpose of illustrating environmental structure and forms no part of the claimed design.

1 Claim, 14 Drawing Sheets



(56)

References Cited

U.S. PATENT DOCUMENTS

2011/0023308 A1* 2/2011 Ping B26B 1/042
30/161
2016/0346941 A1* 12/2016 Chen B26B 1/08

* cited by examiner

FIG. 1

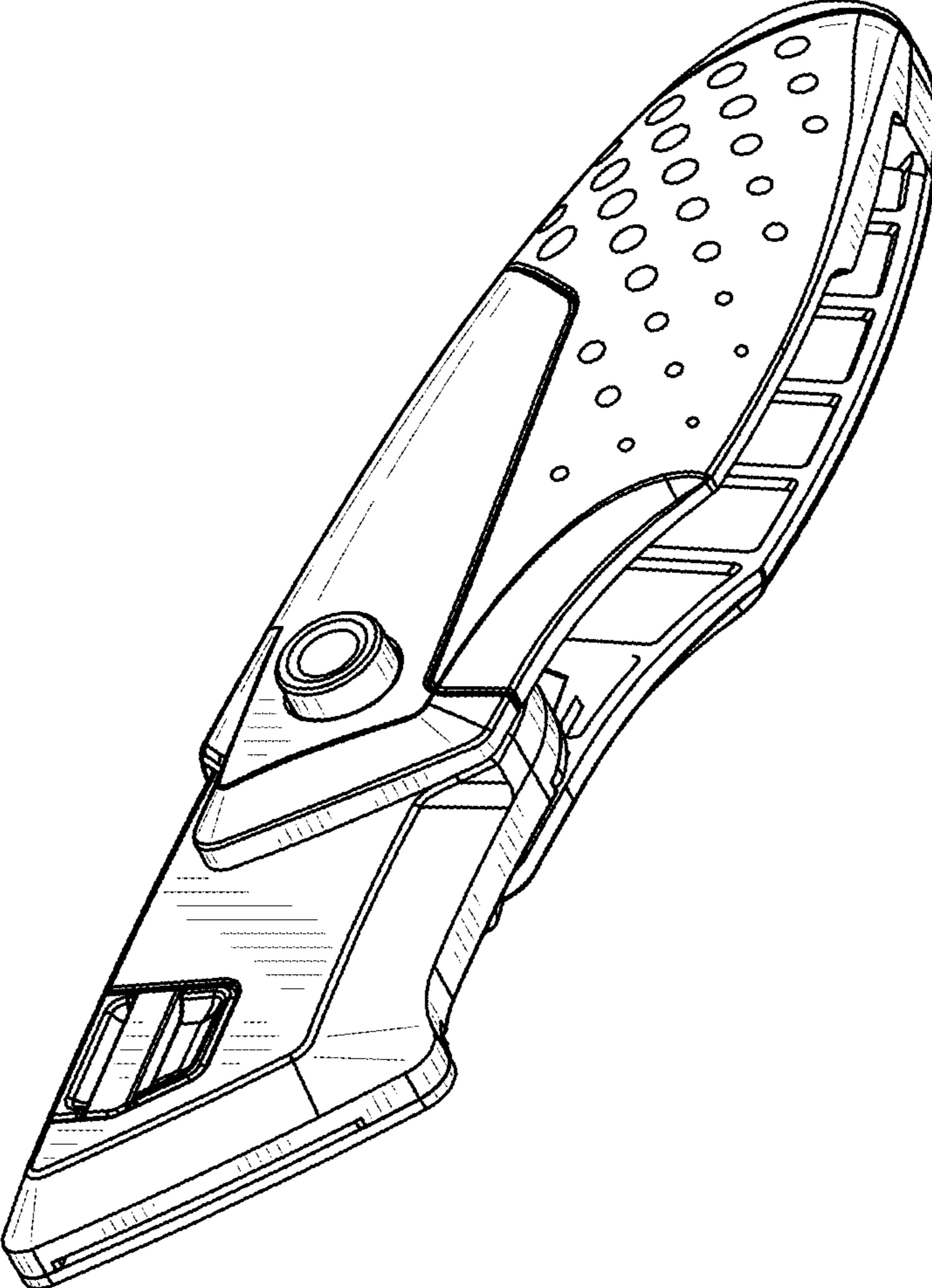


FIG. 2

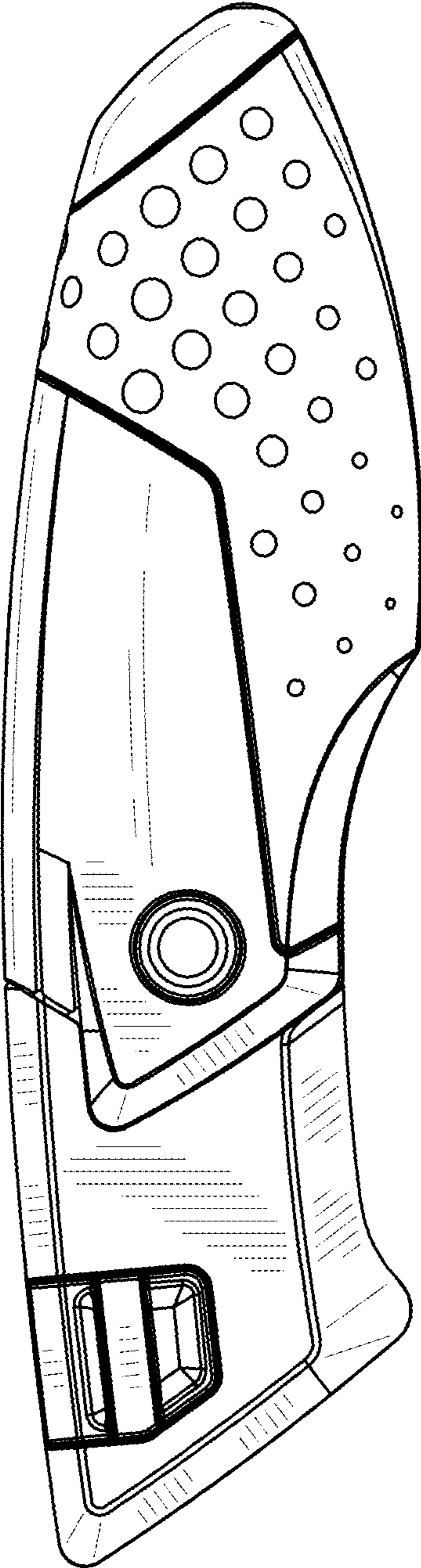


FIG. 3

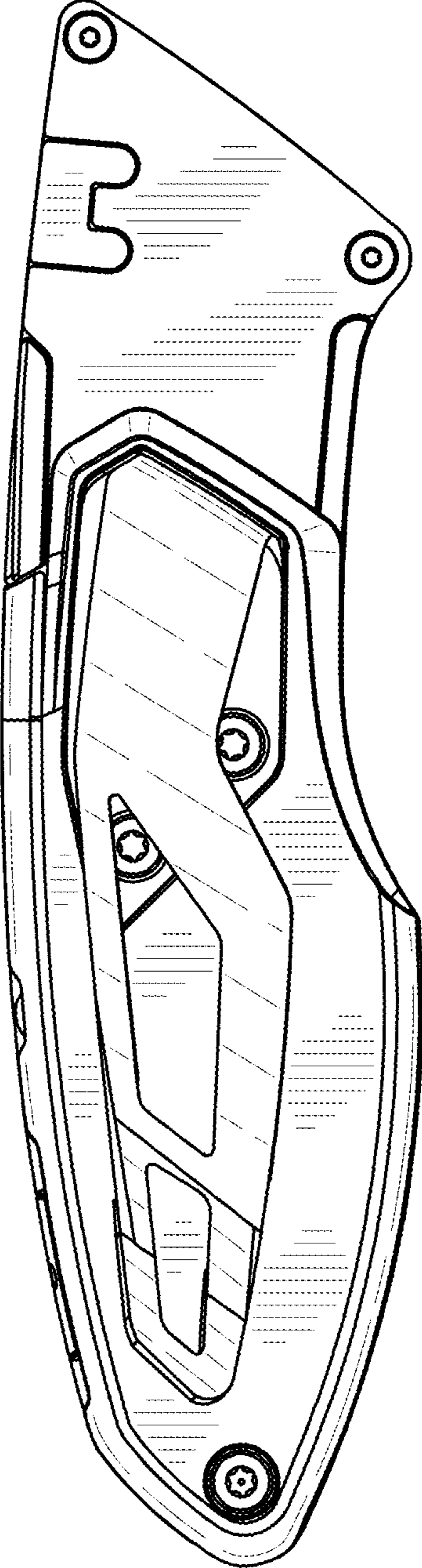


FIG. 4

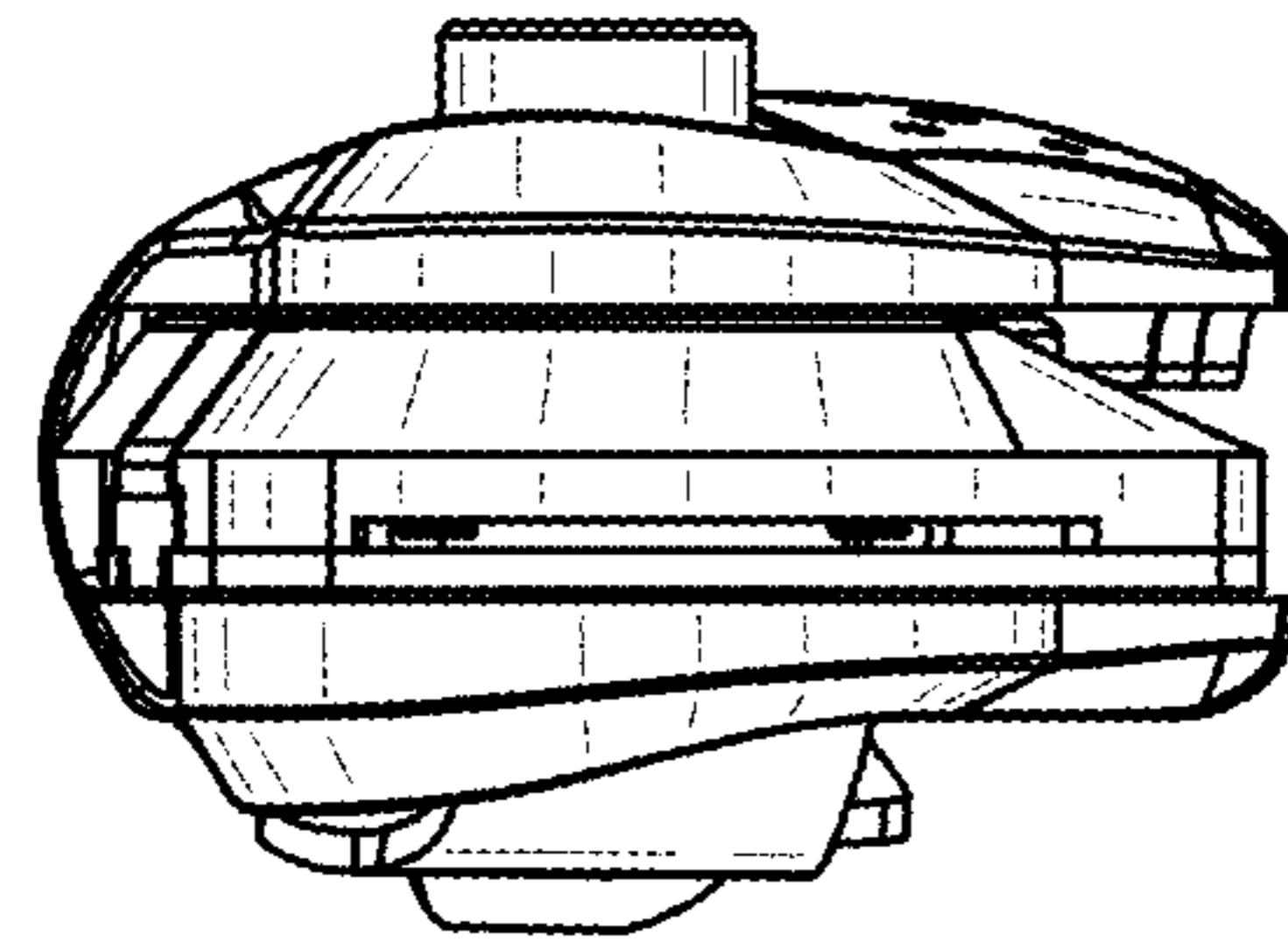


FIG. 5

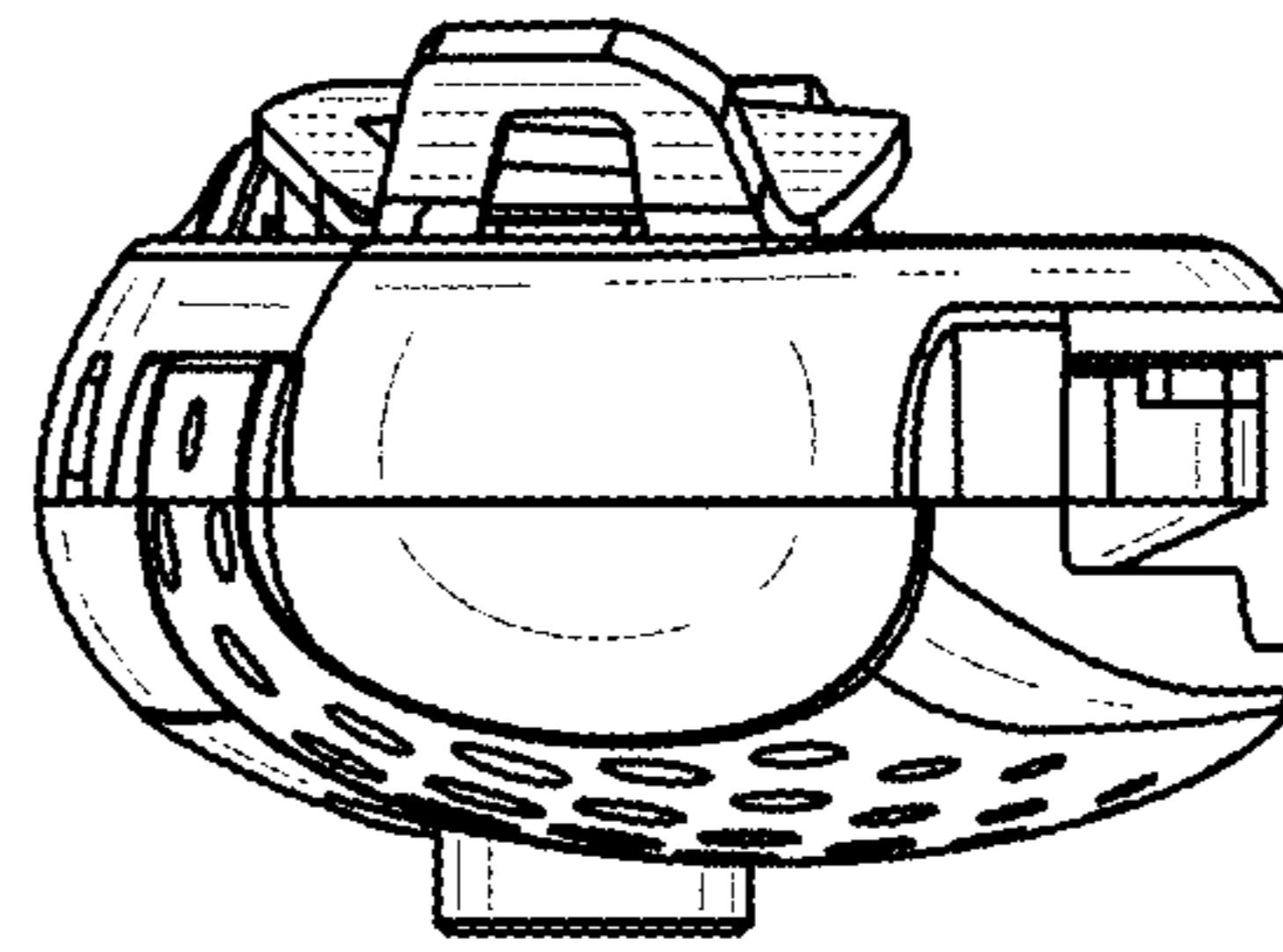


FIG. 6

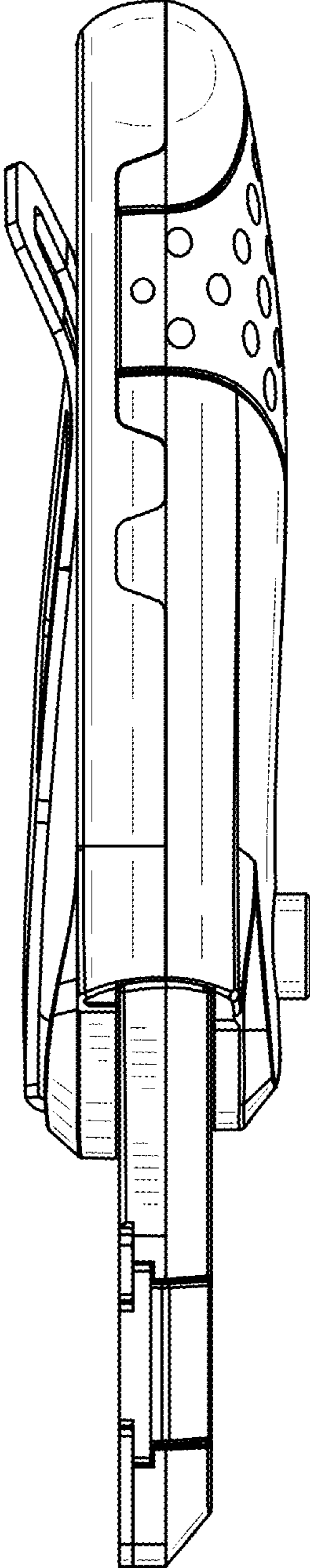


FIG. 7

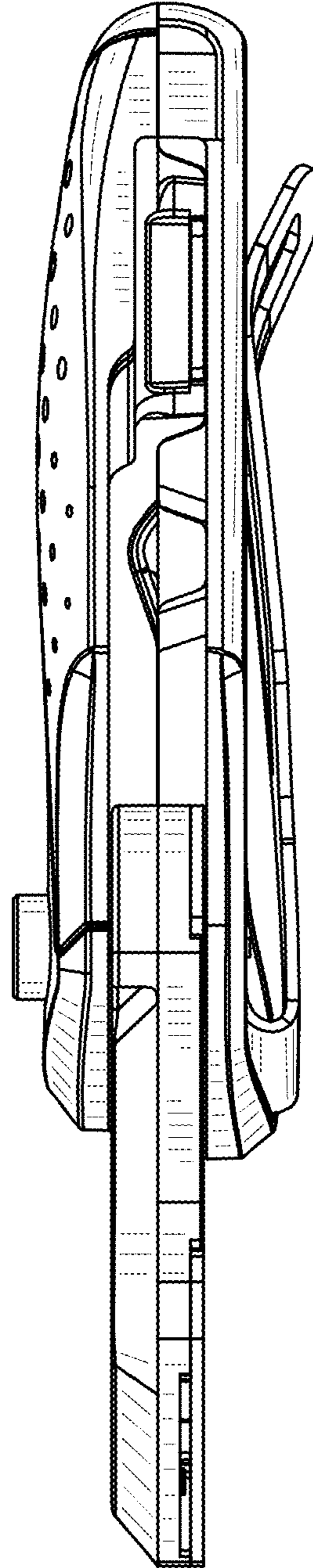


FIG. 8

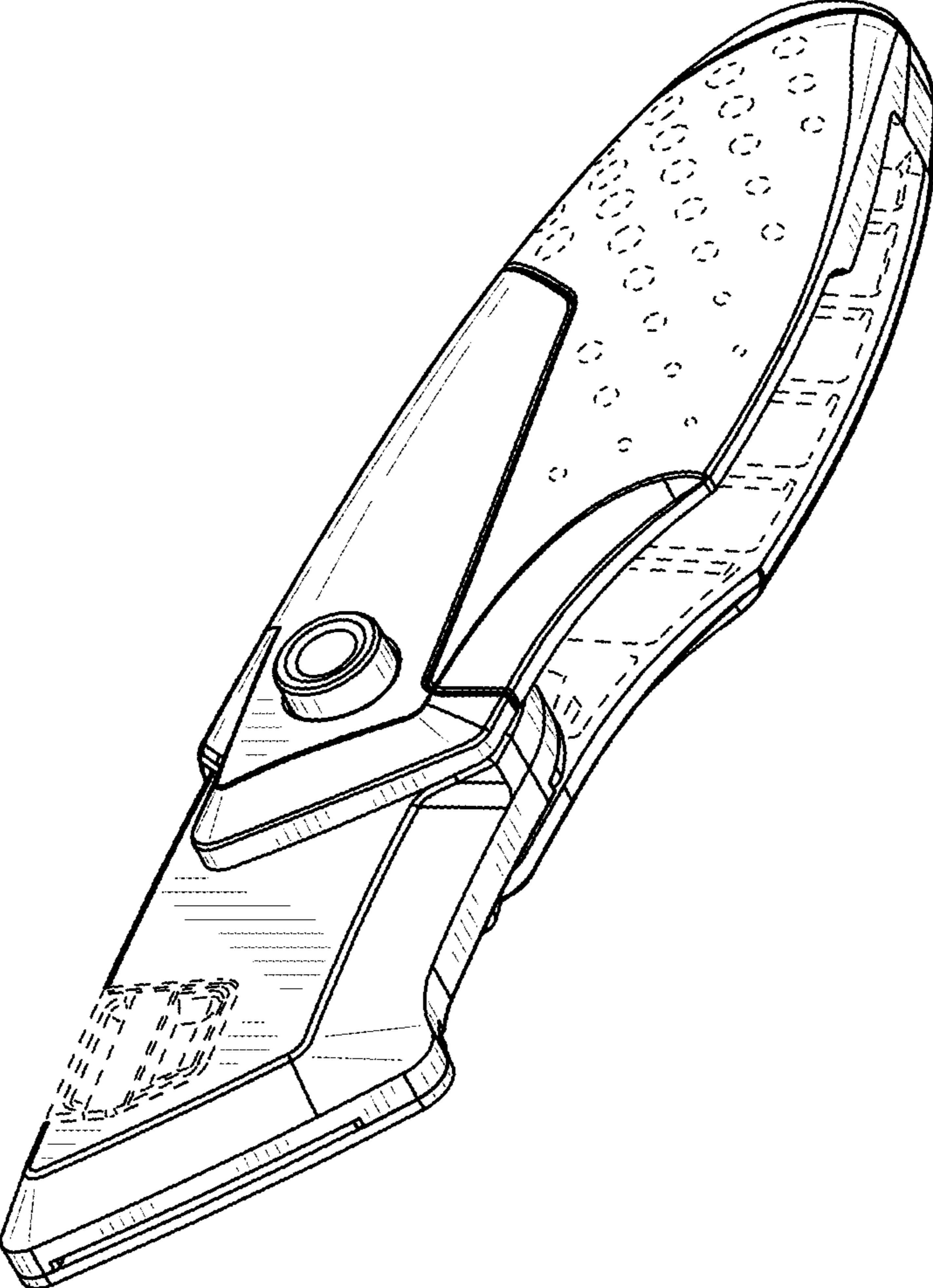


FIG. 9

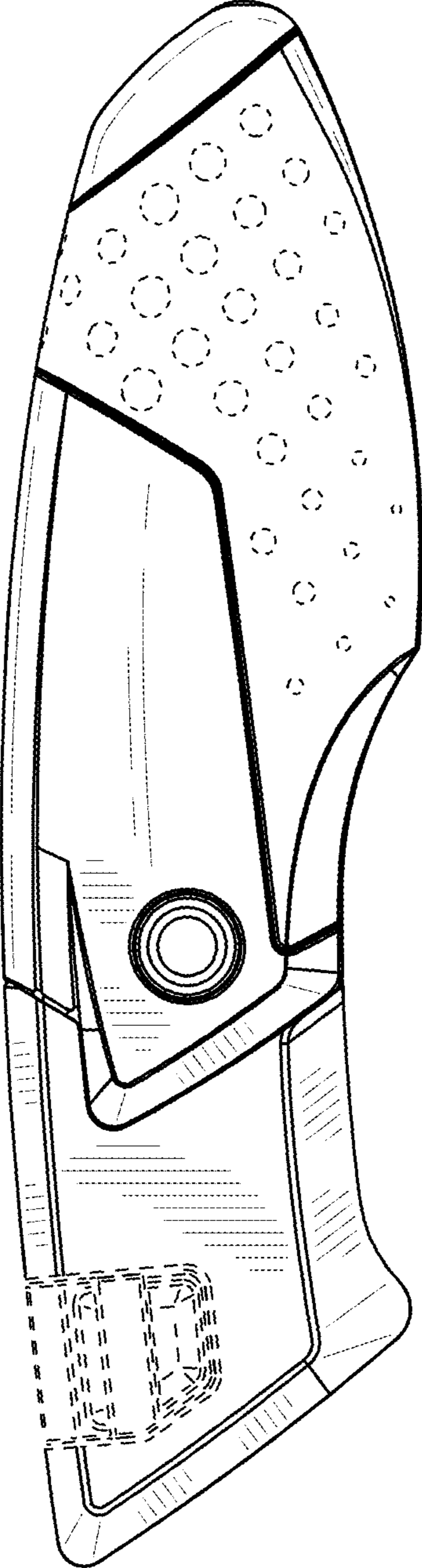


FIG. 10

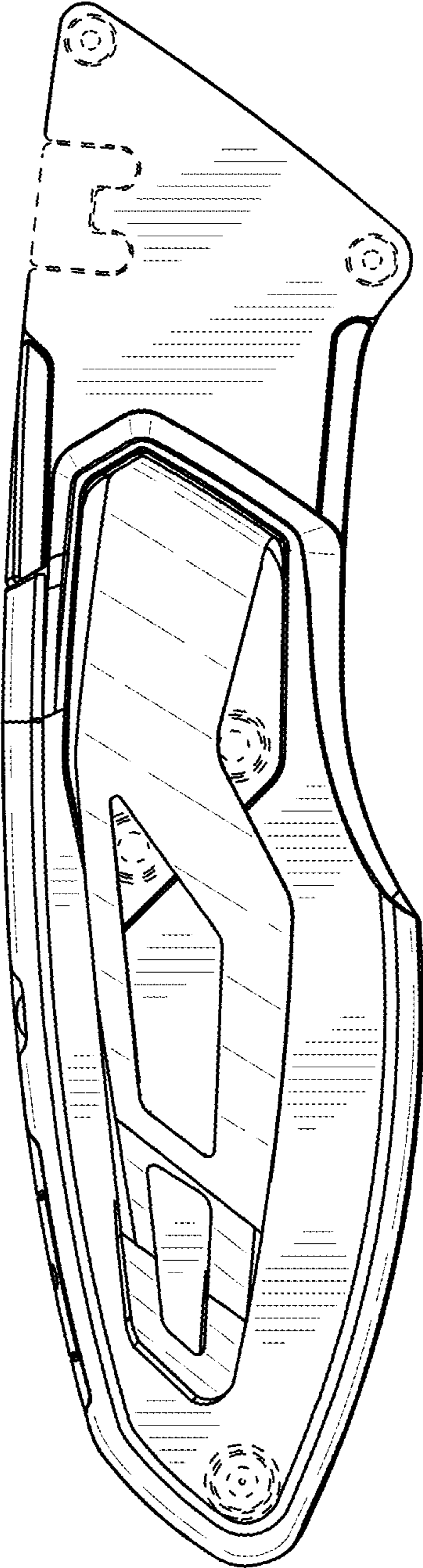


FIG. 11

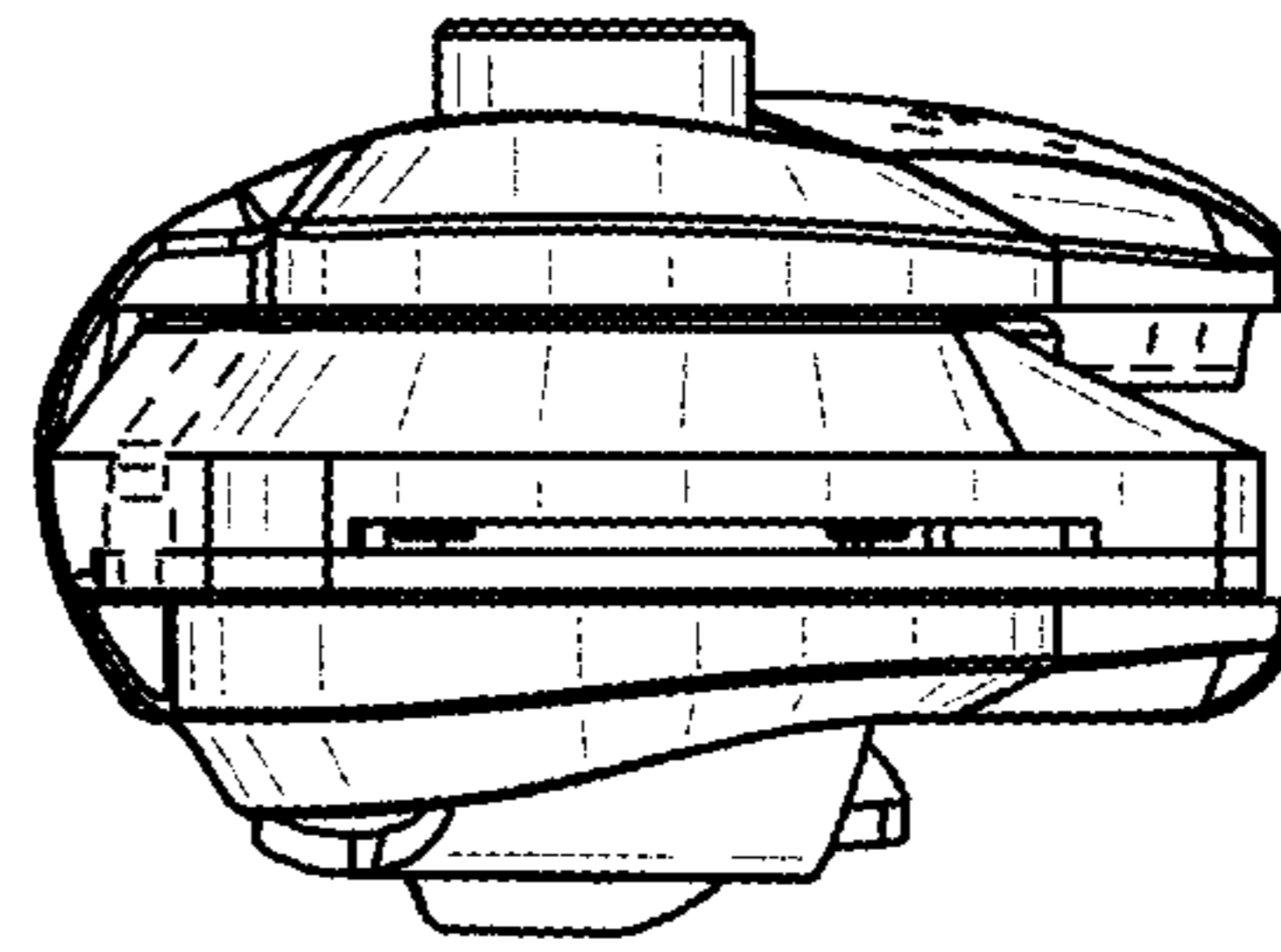


FIG. 12

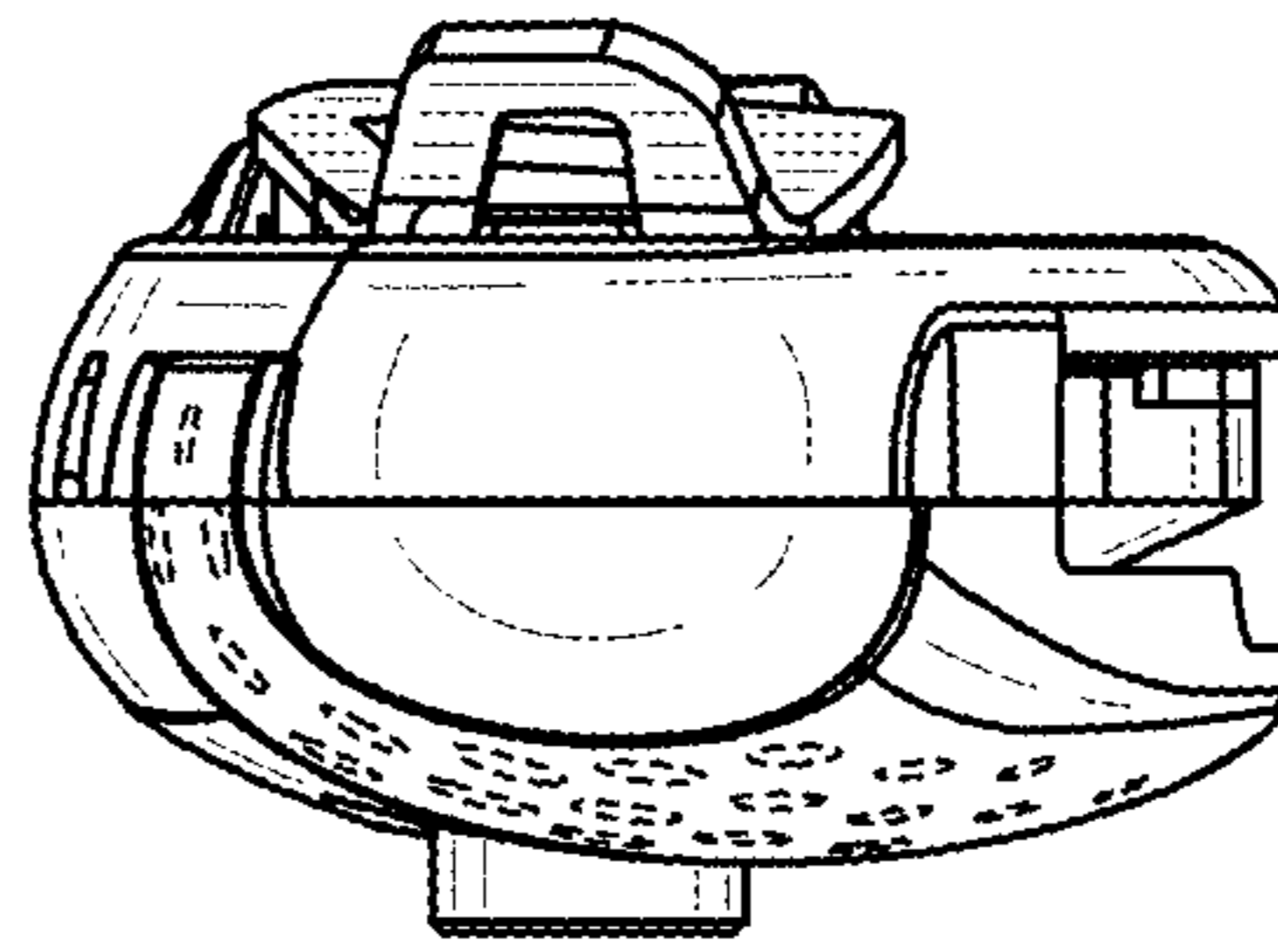


FIG. 13

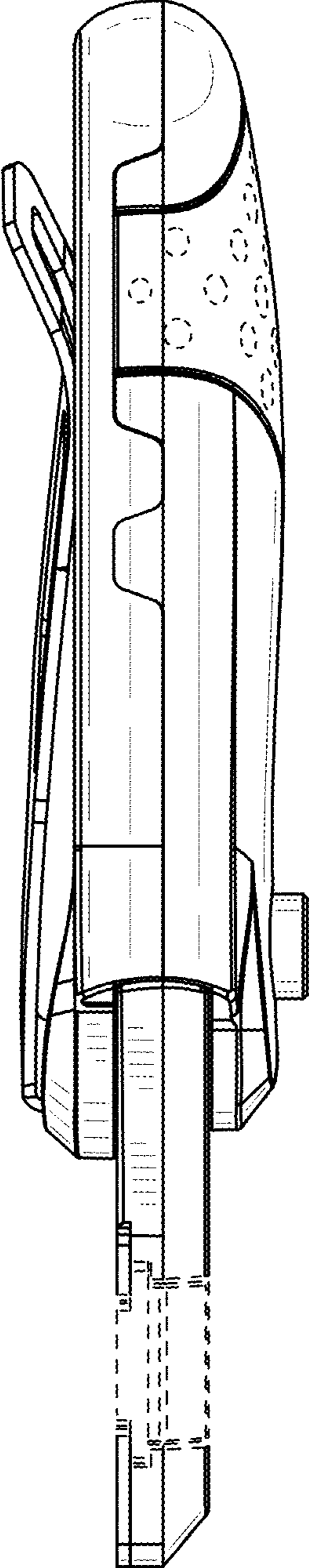


FIG. 14

