



US00D966862S

(12) **United States Design Patent**  
**Seferi**

(10) **Patent No.:** **US D966,862 S**

(45) **Date of Patent:** **\*\* Oct. 18, 2022**

(54) **UTILITY KNIFE**

(71) Applicant: **Acme United Corporation**, Fairfield, CT (US)

(72) Inventor: **Nicholas L. Seferi**, Southbury, CT (US)

(73) Assignee: **Acme United Corporation**, Shelton, CT (US)

(\*\*) Term: **15 Years**

(21) Appl. No.: **29/755,538**

(22) Filed: **Oct. 21, 2020**

(51) **LOC (13) Cl.** ..... **08-03**

(52) **U.S. Cl.**  
USPC ..... **D8/99**

(58) **Field of Classification Search**  
USPC ..... D8/98, 99, 107, 14, 20; D22/118  
CPC ..... B26B 5/001; B26B 5/003; B26B 11/00;  
B26B 1/08; B26B 1/02; B26B 1/10;  
B26B 1/04; B26B 1/046; B26B 1/048;  
B26B 1/042

See application file for complete search history.

(56) **References Cited**

**U.S. PATENT DOCUMENTS**

5,502,896 A \* 4/1996 Chen ..... B26B 5/002  
30/162  
5,613,300 A \* 3/1997 Schmidt ..... B26B 5/001  
30/125  
6,314,646 B1 \* 11/2001 Schmidt ..... B26B 5/001  
30/125  
D475,910 S \* 6/2003 Schmidt ..... D8/98  
D544,774 S \* 6/2007 Schmidt ..... D8/99

D606,837 S \* 12/2009 Watanabe ..... D8/99  
7,987,602 B2 \* 8/2011 Kanemoto ..... B26B 29/02  
30/162  
8,567,071 B2 \* 10/2013 Strauss ..... B26B 5/001  
30/162  
D708,499 S \* 7/2014 Garavaglia ..... D8/99  
D724,409 S \* 3/2015 Segler ..... D8/99  
D753,410 S \* 4/2016 Wlezien ..... D6/518  
D763,653 S \* 8/2016 Horovitz ..... D8/99  
D844,407 S \* 4/2019 Stokes ..... D8/99  
D847,602 S \* 5/2019 Wu ..... D8/99  
2008/0086895 A1 \* 4/2008 Parks ..... B26B 5/001  
30/156  
2017/0129112 A1 \* 5/2017 Ranieri ..... B26B 1/08

\* cited by examiner

*Primary Examiner* — Philip S Hyder

(74) *Attorney, Agent, or Firm* — Alix, Yale & Ristas, LLP

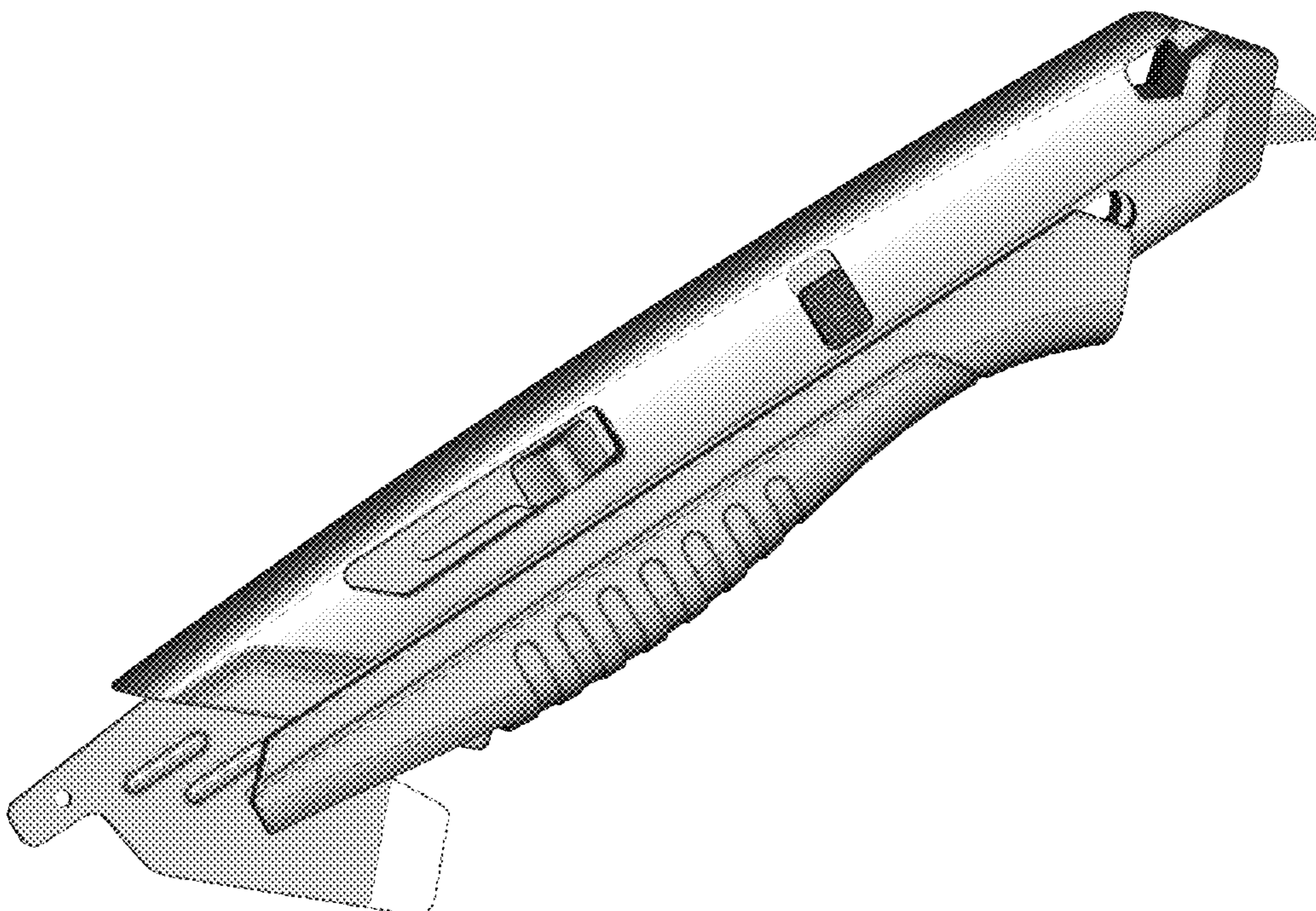
(57) **CLAIM**

The ornamental design for a utility knife, as shown and described.

**DESCRIPTION**

FIG. 1 is a perspective view of a utility knife, portions shown in broken lines showing the new design;  
FIG. 2 is a front view thereof;  
FIG. 3 is a rear view thereof;  
FIG. 4 is a top plan view thereof;  
FIG. 5 is a bottom plan view thereof;  
FIG. 6 is a left end view thereof; and,  
FIG. 7 is a right end view thereof.  
No claim is made to the blade portion illustrated in broken lines.

**1 Claim, 4 Drawing Sheets**



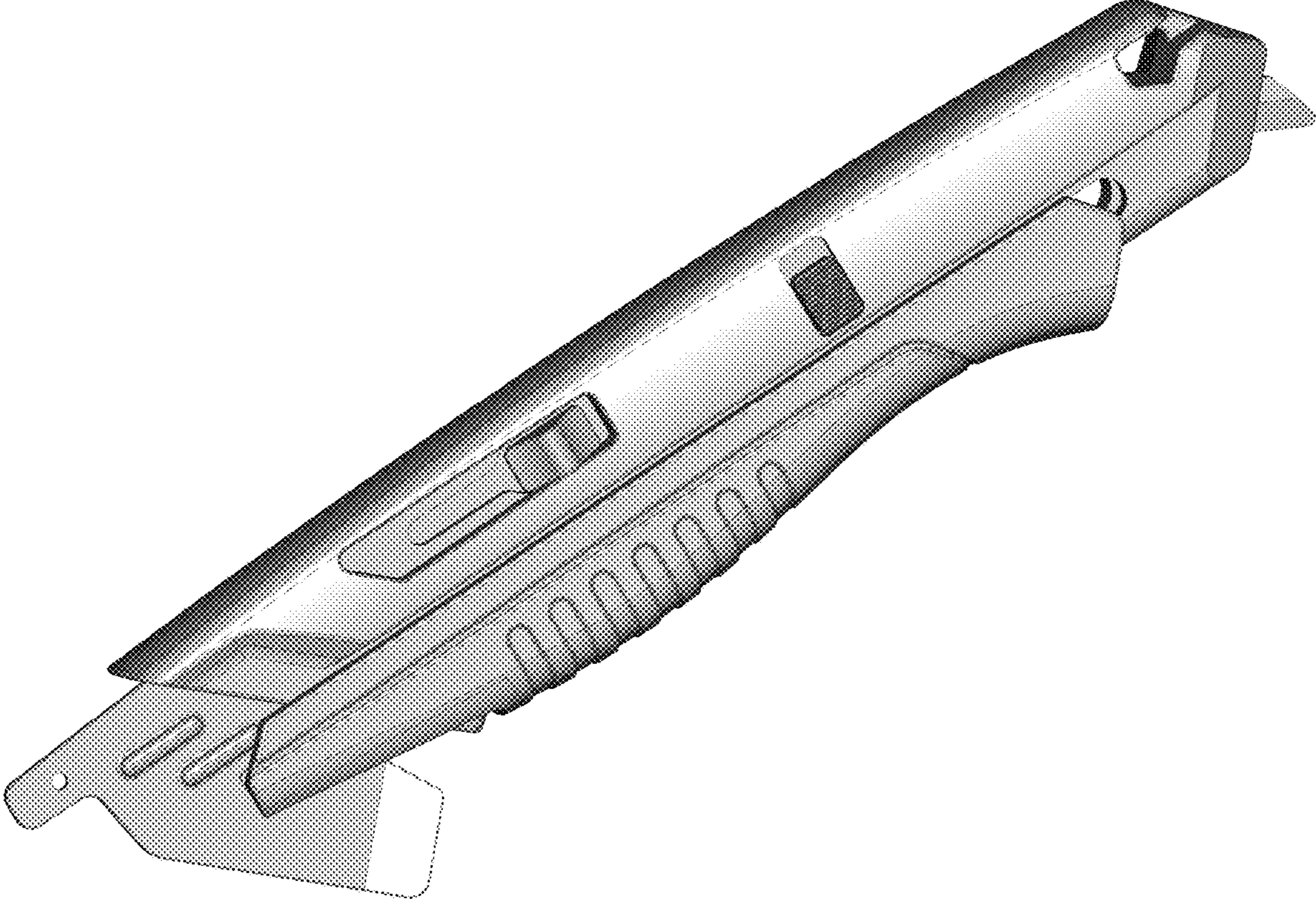


FIG.1

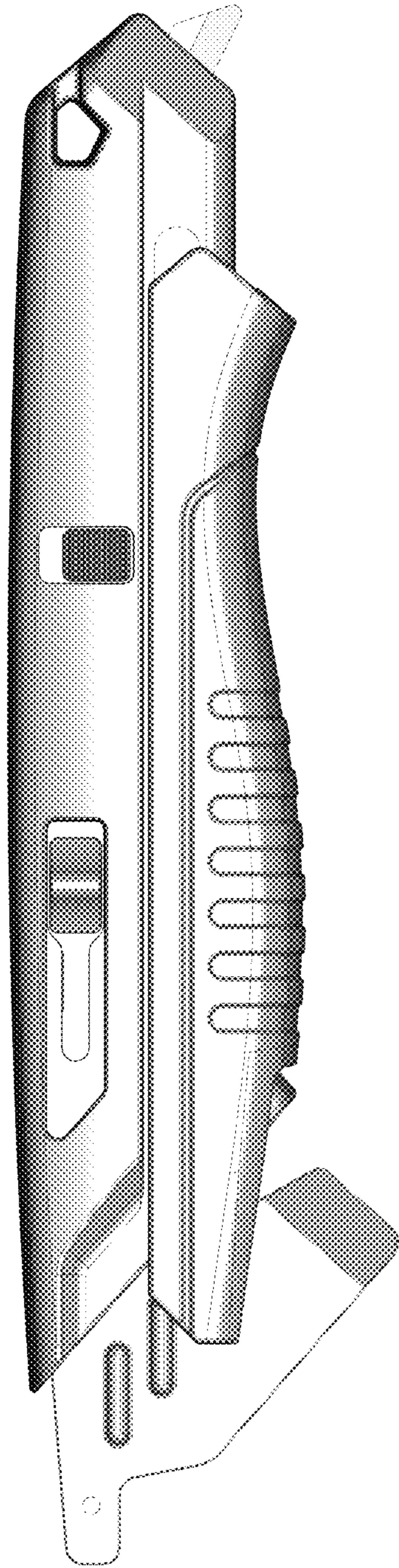


FIG. 2

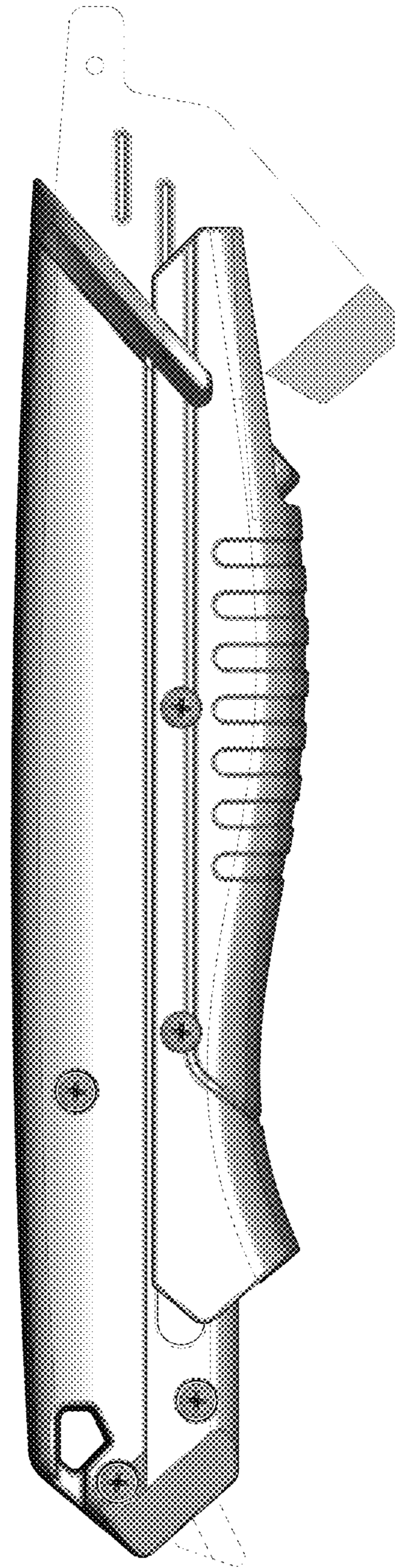


FIG. 3

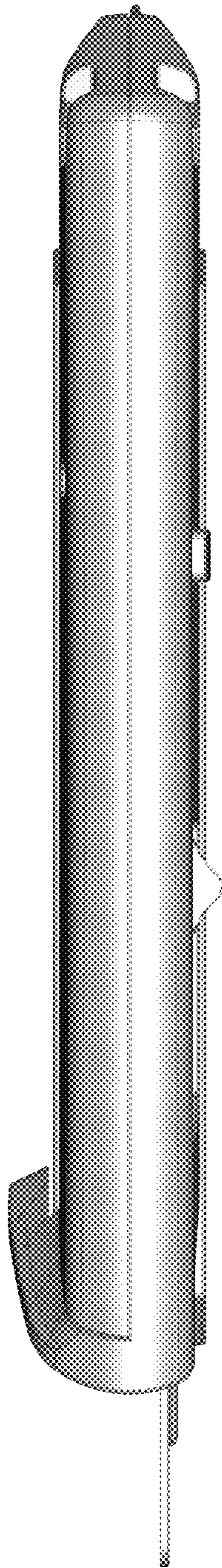


FIG. 4

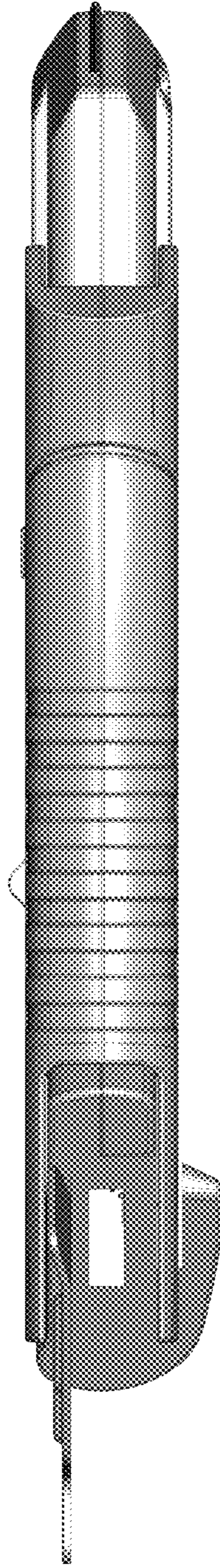


FIG. 5

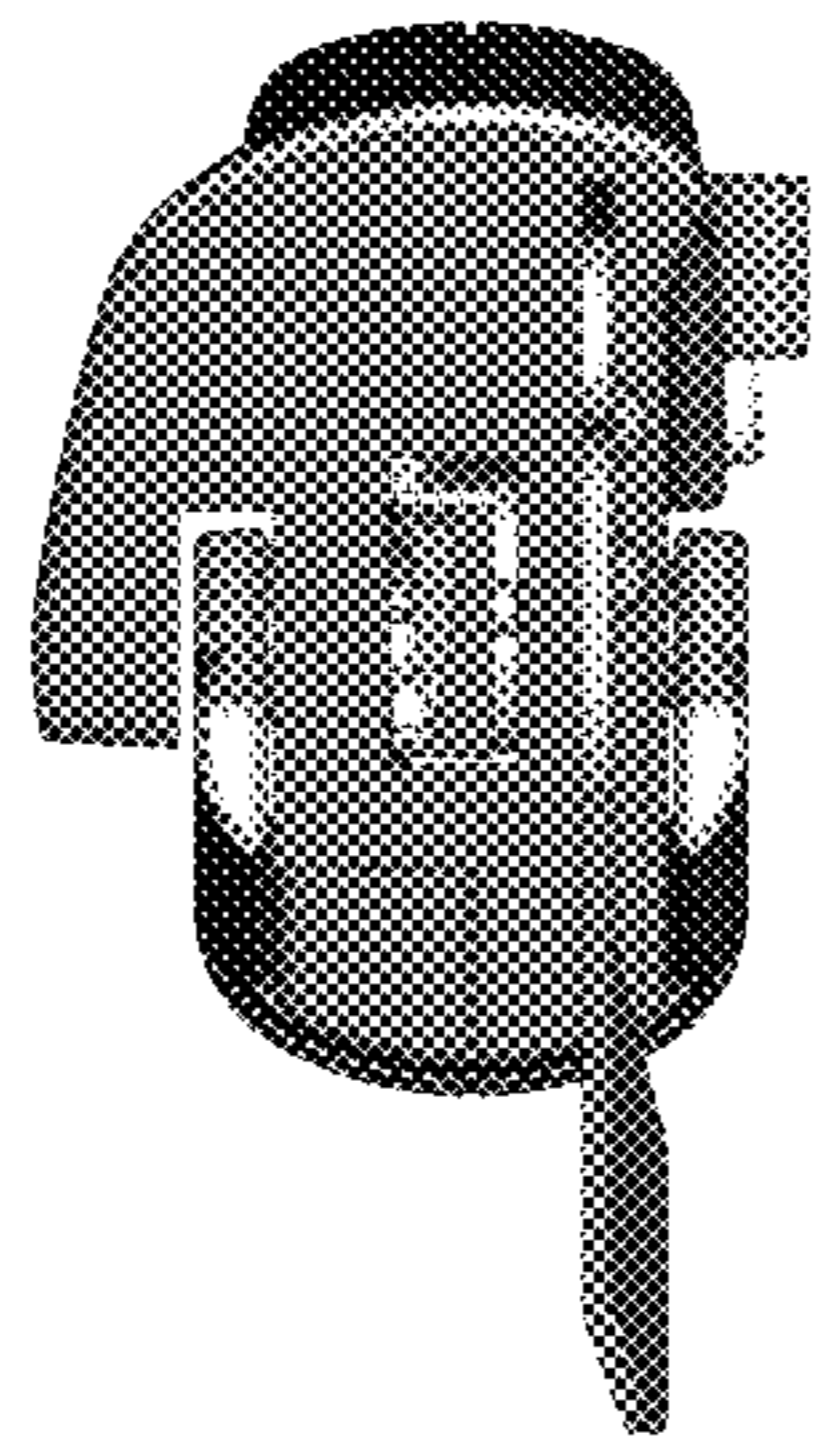


FIG. 6

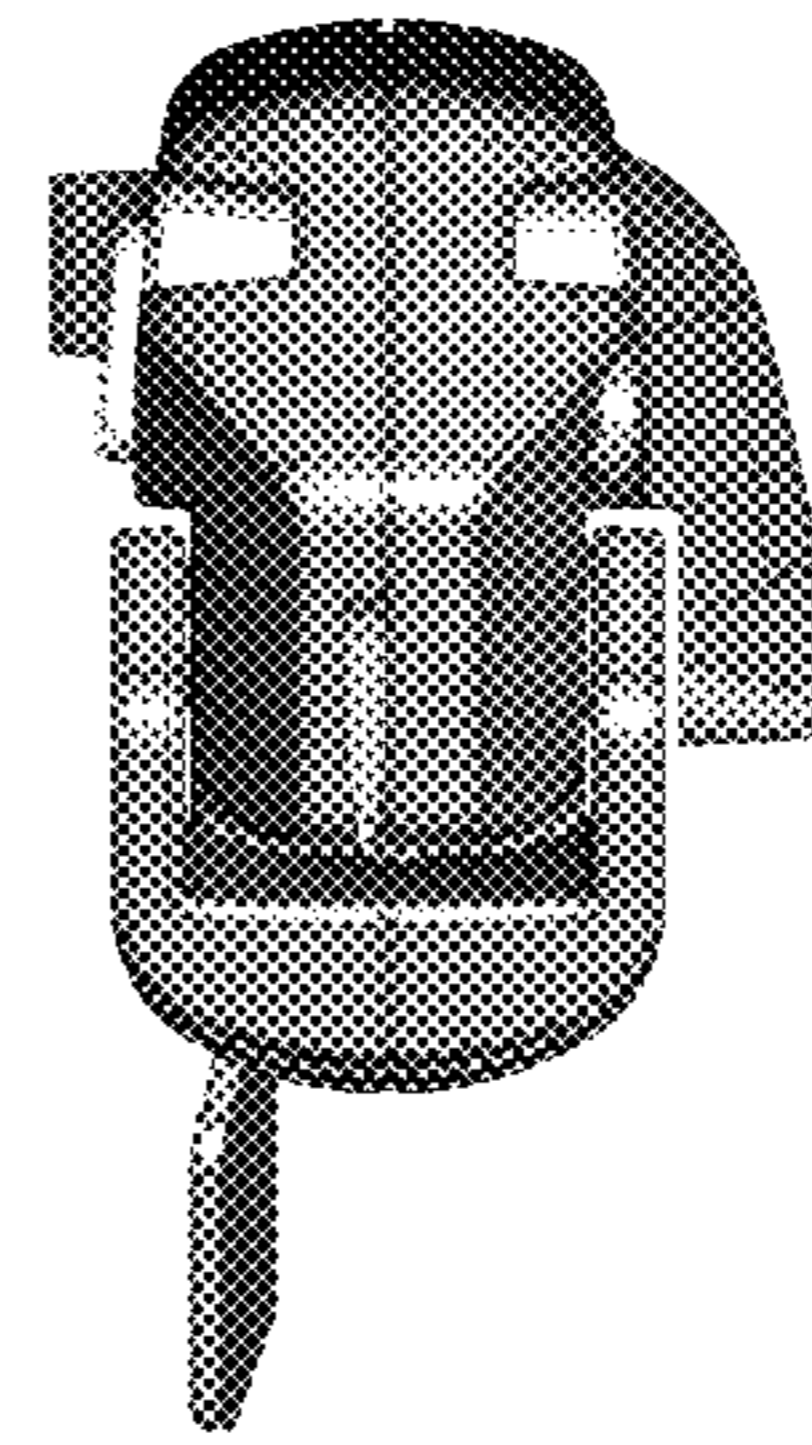


FIG. 7