

US00D966861S

(12) **United States Design Patent** (10) **Patent No.:** **US D966,861 S**
Weber et al. (45) **Date of Patent:** **** Oct. 18, 2022**

(54) **SAW**
(71) Applicant: **Fiskars Finland Oy Ab**, Helsinki (FI)
(72) Inventors: **Emery Weber**, Helsinki (FI); **Colin Roberts**, Helsinki (FI); **Dan Cunningham**, Helsinki (FI)
(73) Assignee: **FISKARS FINLAND OY AB**, Helsinki (FI)
(**) Term: **15 Years**
(21) Appl. No.: **29/754,278**
(22) Filed: **Oct. 8, 2020**
(51) **LOC (13) Cl.** **08-03**
(52) **U.S. Cl.**
USPC **D8/96**
(58) **Field of Classification Search**
USPC D8/14, 95, 96, 97, 98, 99, 107
CPC B23D 51/125; B23D 51/03; B23D 51/01;
B23D 51/08; B23D 51/10
See application file for complete search history.

(56) **References Cited**
U.S. PATENT DOCUMENTS
5,768,788 A * 6/1998 Arnold B23D 51/01
30/506
D409,892 S * 5/1999 Juhlin D8/96
6,134,791 A * 10/2000 Huang B23D 51/01
30/506
D472,445 S * 4/2003 Juhlin D8/96
D477,519 S * 7/2003 Seloron D8/96
D486,372 S * 2/2004 Chen D8/96
6,742,268 B2 * 6/2004 Chen B23D 51/14
30/507
6,772,522 B1 * 8/2004 Huang B23D 49/12
30/513
D504,802 S * 5/2005 Heneen D8/96

7,254,893 B1 * 8/2007 Huang B23D 51/125
30/507
D551,048 S * 9/2007 Huang D8/96
D551,409 S * 9/2007 Pung D32/40
D551,532 S * 9/2007 Huang D8/96
8,776,385 B2 * 7/2014 Huang B23D 51/14
30/512
D721,940 S * 2/2015 Vanderbeek D8/96
D755,034 S * 5/2016 DeBaker D8/97
D932,862 S * 10/2021 Sun D8/97
2009/0113729 A1 * 5/2009 Chen B23D 51/125
30/513
2010/0132203 A1 * 6/2010 Green B23D 51/125
30/513

(Continued)

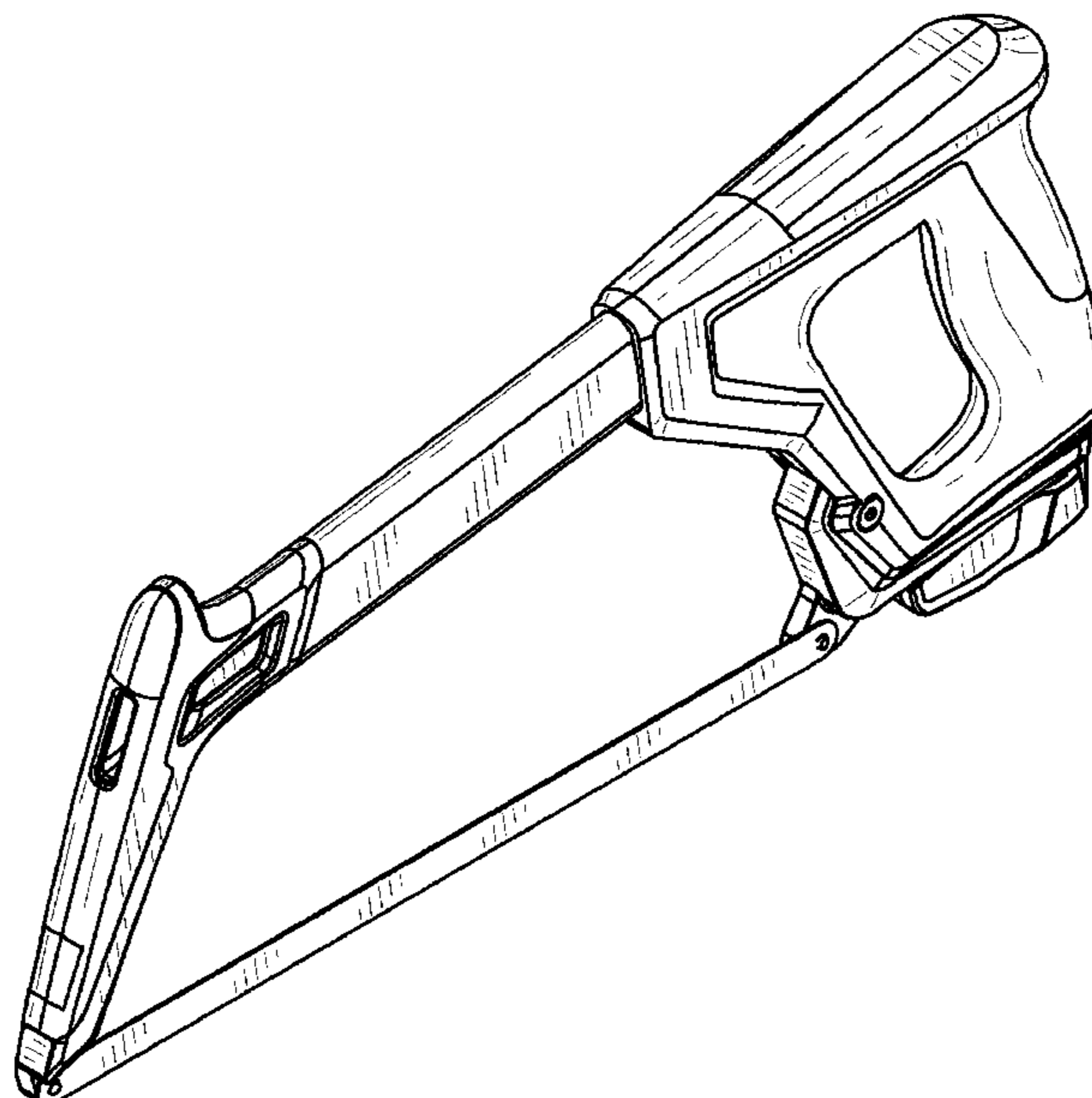
Primary Examiner — Philip S Hyder
(74) *Attorney, Agent, or Firm* — Leason Ellis LLP

(57) **CLAIM**
The ornamental design for a saw, as shown and described.

DESCRIPTION

FIG. 1 is a front-left top perspective view of our saw according to our new design;
FIG. 2 is a rear-left top perspective thereof;
FIG. 3 is a rear-left bottom perspective view thereof;
FIG. 4 is a front-left bottom perspective thereof;
FIG. 5 is a left-side view thereof;
FIG. 6 is a right-side view thereof;
FIG. 7 is front view thereof;
FIG. 8 is a rear view thereof;
FIG. 9 is a top plan view thereof; and,
FIG. 10 is a bottom plan view thereof.
The broken line showing of portions of the saw is included for the purpose of illustrating environmental structure and forms no part of the claimed design.
Conventional shading is illustrated for purposes of highlighting the line drawings, but forms no part of the claimed design.

1 Claim, 10 Drawing Sheets



(56)

References Cited

U.S. PATENT DOCUMENTS

2012/0011732	A1 *	1/2012	Ranieri	B23D 51/10
				30/506
2014/0259702	A1 *	9/2014	Green	B23D 51/12
				30/507

* cited by examiner

FIG. 1

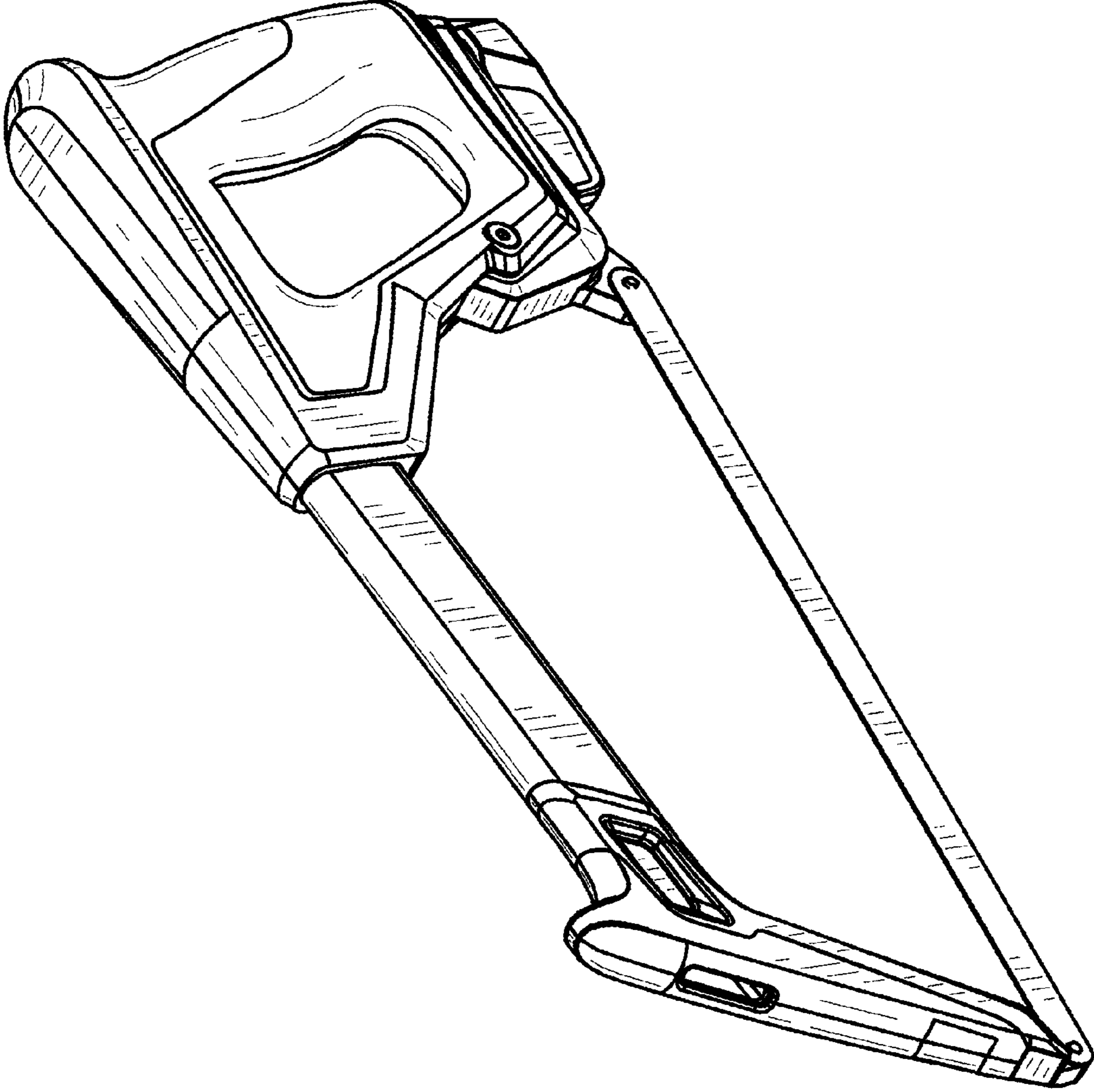


FIG. 2

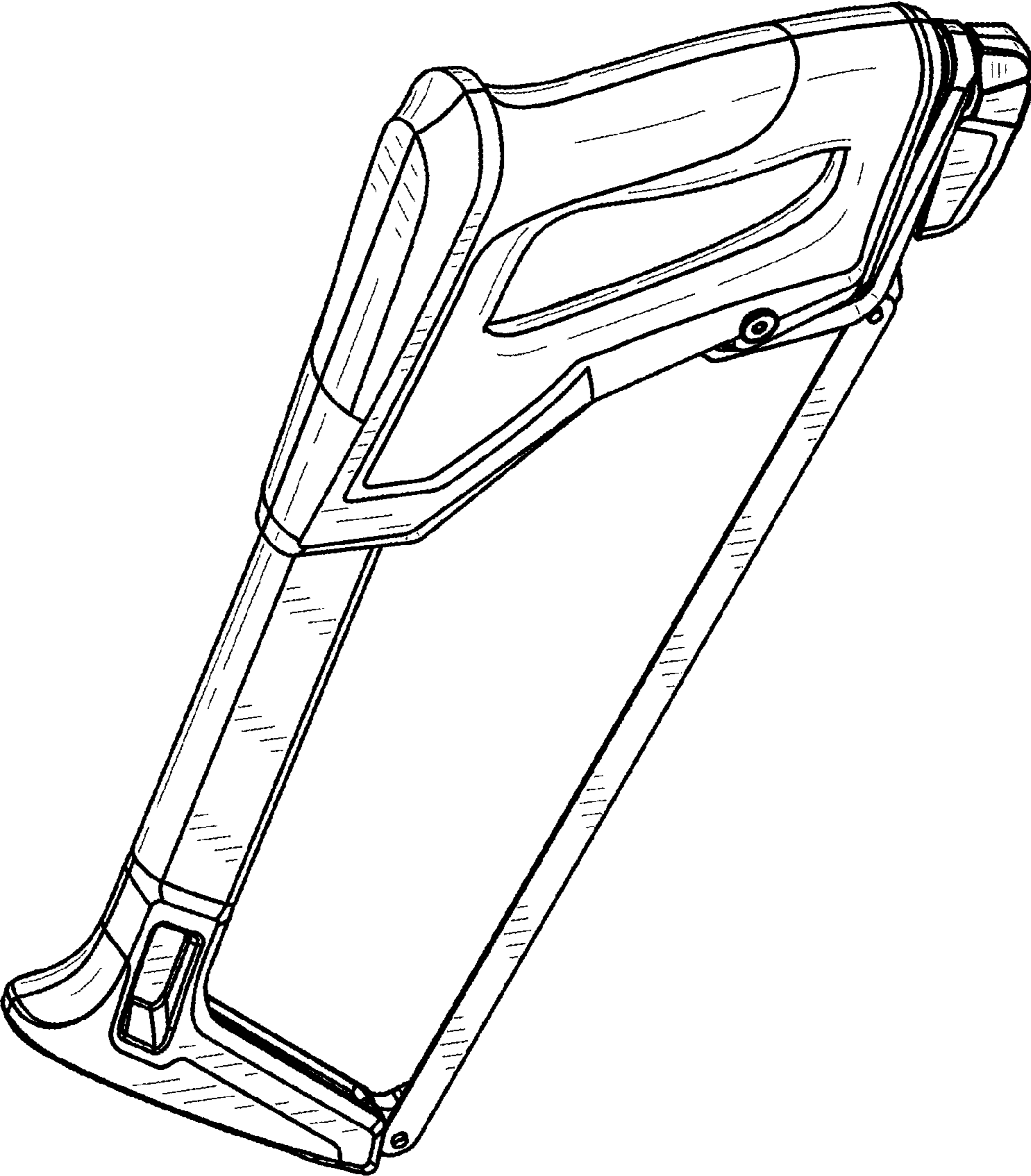


FIG. 3

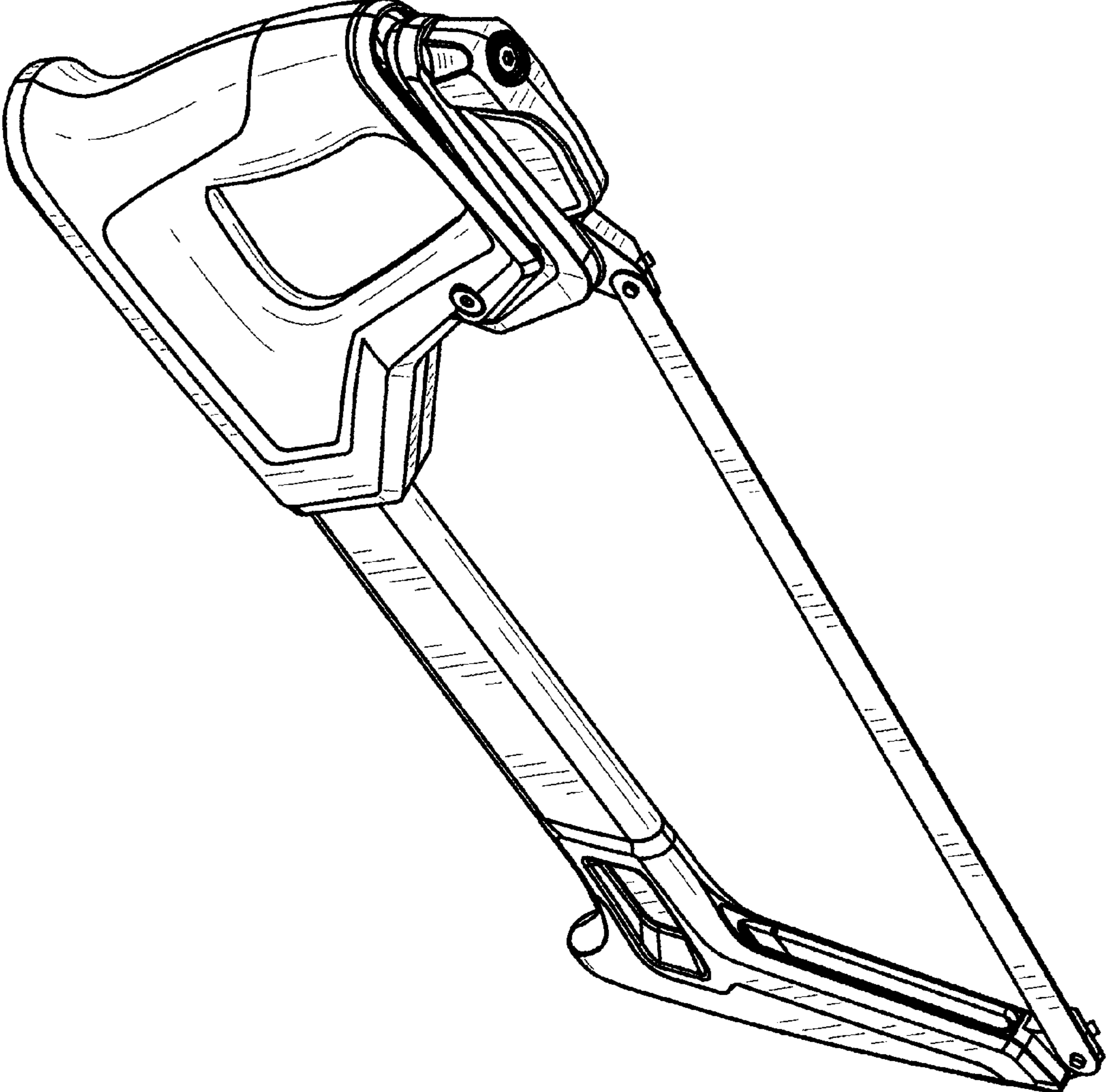


FIG. 4

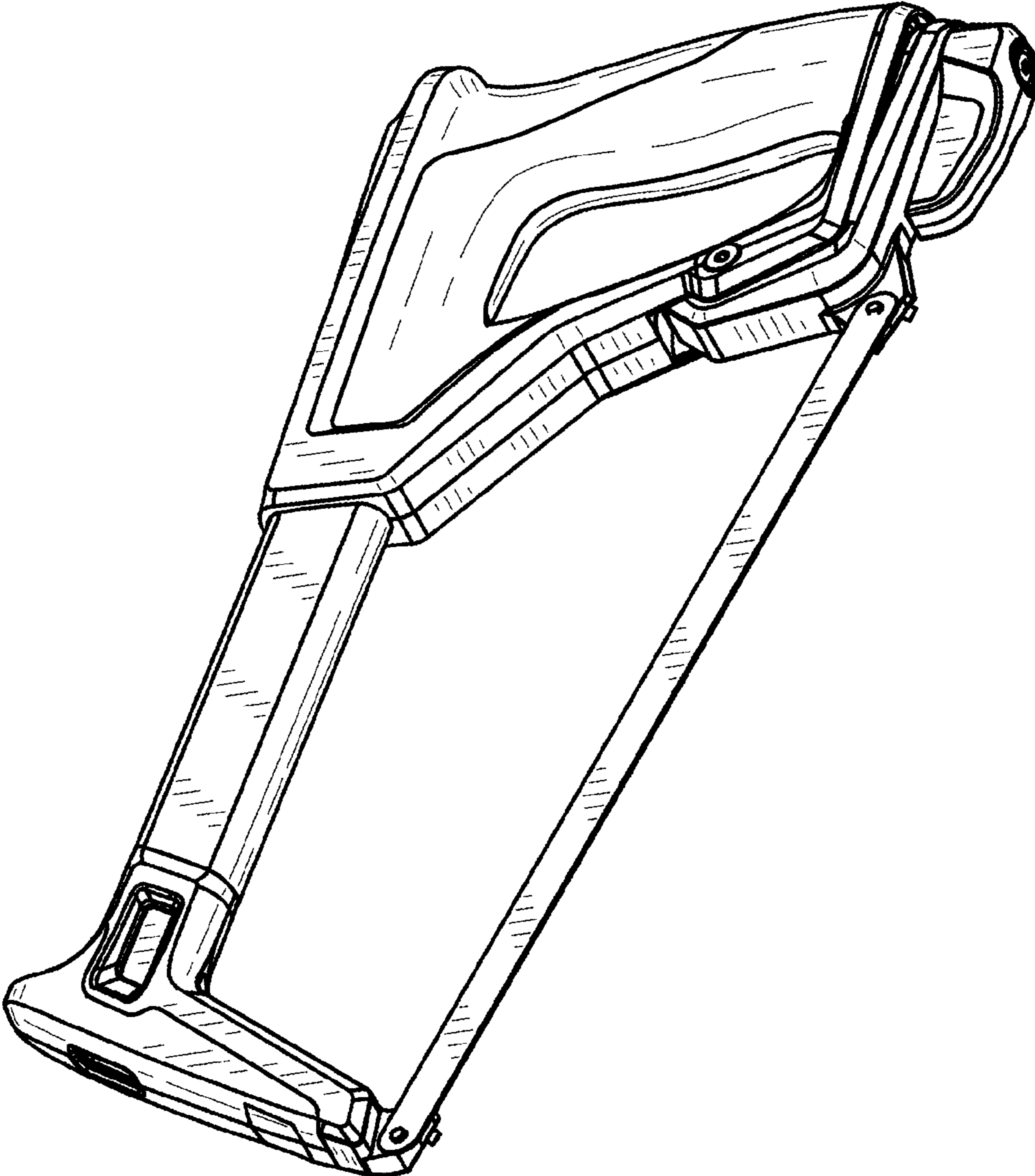


FIG. 5

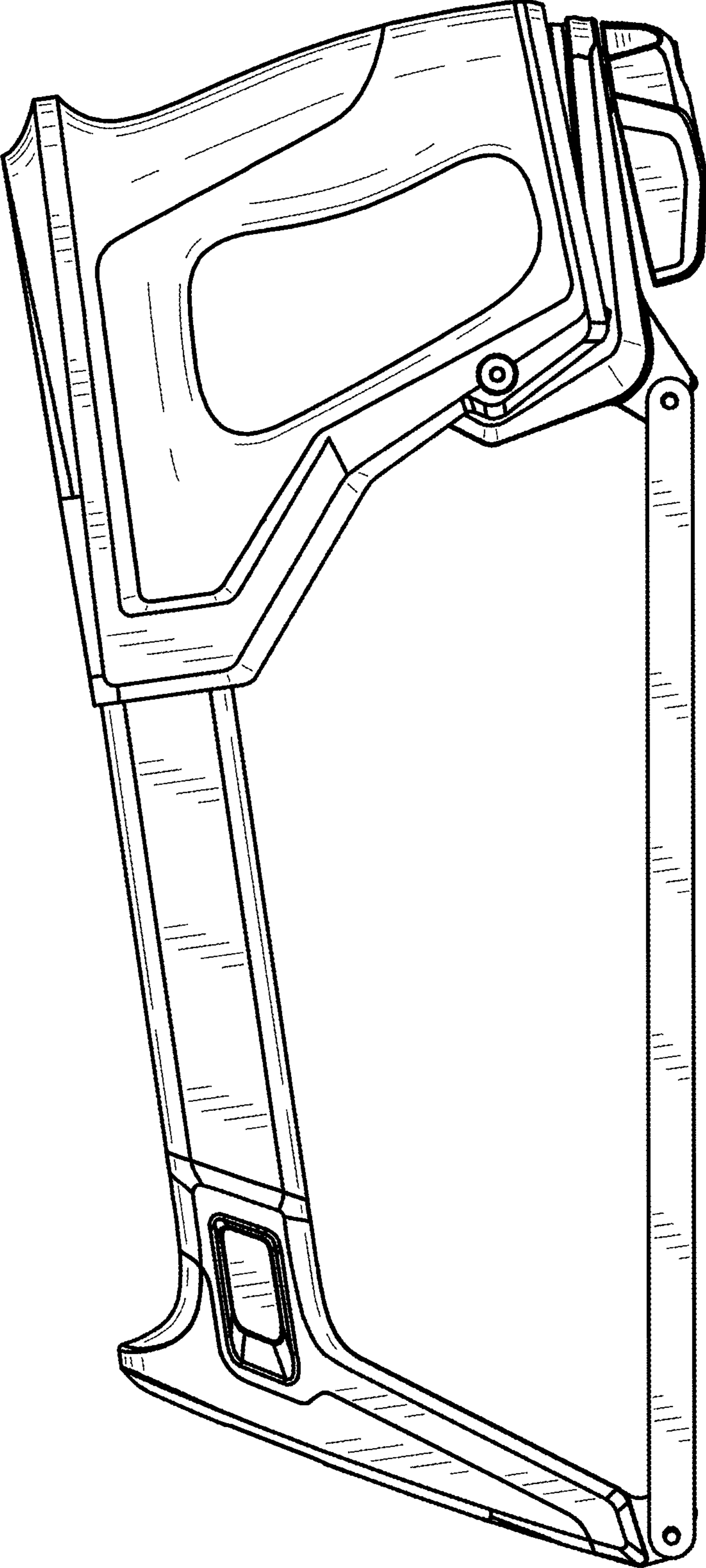


FIG. 6

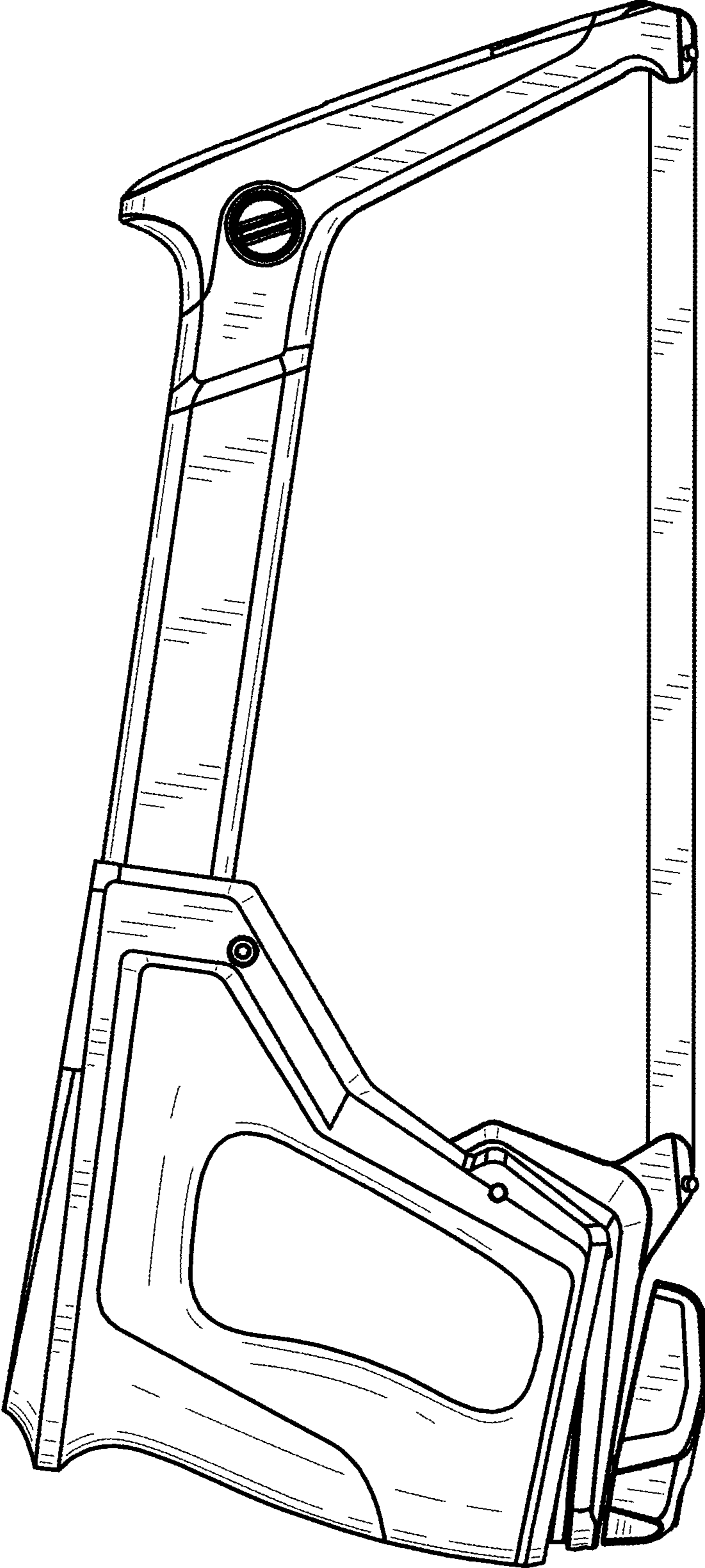


FIG. 7

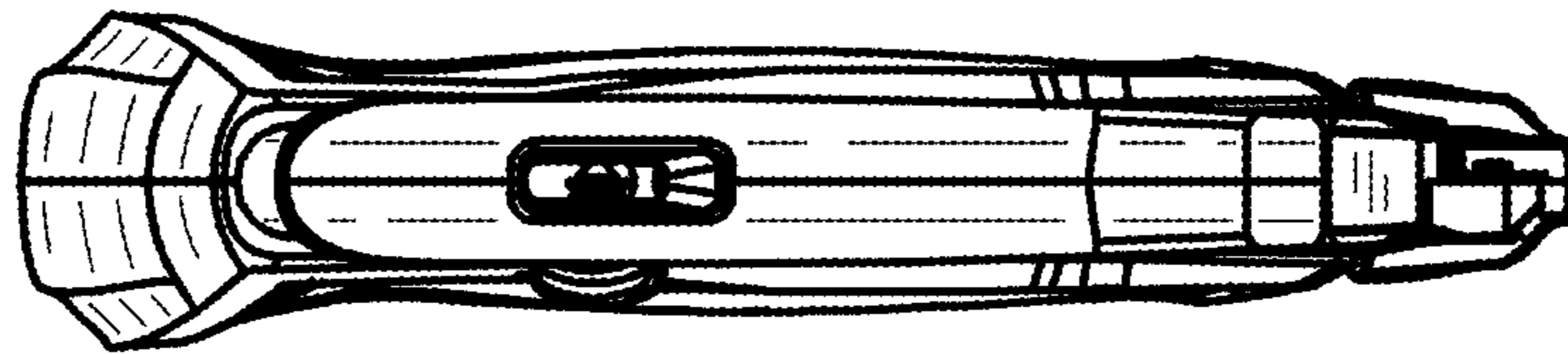


FIG. 8

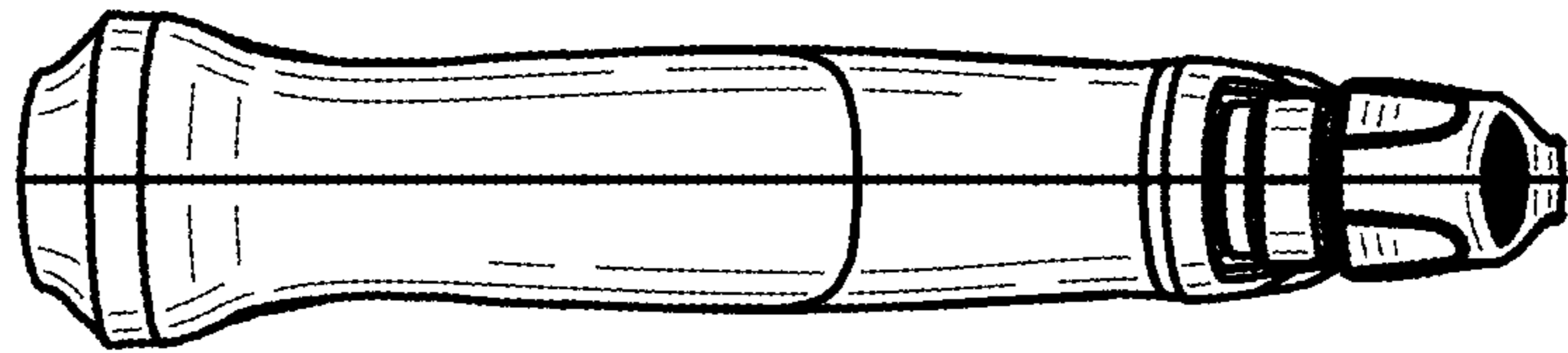


FIG. 9

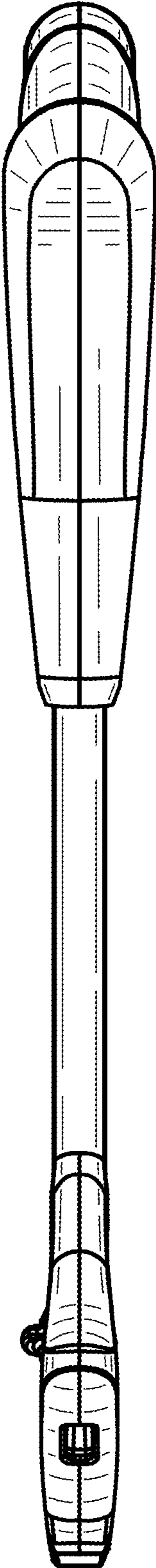


FIG. 10

