

US00D966858S

(12) **United States Design Patent**
Weber et al.

(10) **Patent No.:** **US D966,858 S**
(45) **Date of Patent:** **** Oct. 18, 2022**

- (54) **SAW**
- (71) Applicant: **Fiskars Finland Oy Ab**, Helsinki (FI)
- (72) Inventors: **Emery Weber**, Helsinki (FI); **Colin Roberts**, Helsinki (FI); **Sara Kasbekar**, Helsinki (FI)
- (73) Assignee: **FISKARS FINLAND OY AB**, Helsinki (FI)
- (**) Term: **15 Years**
- (21) Appl. No.: **29/754,894**
- (22) Filed: **Oct. 15, 2020**
- (51) **LOC (13) Cl.** **08-03**
- (52) **U.S. Cl.**
USPC **D8/95**
- (58) **Field of Classification Search**
USPC D8/95, 96, 97, 98, 99, 107, 105;
D22/118
CPC .. B26B 1/08; B26B 5/00; B26B 5/001; B26B 5/002; B26B 5/003; B26B 5/006; B26B 1/00; B26B 1/046; B26B 1/048; B26B 1/042
See application file for complete search history.

(56) **References Cited**

U.S. PATENT DOCUMENTS

D368,633	S	*	4/1996	Nakayama	D8/95
6,125,544	A	*	10/2000	Eriksson	A01G 3/08 30/166.3
D436,013	S	*	1/2001	Eriksson	D8/95
D442,053	S	*	5/2001	Jimenez	D8/95
D494,830	S	*	8/2004	Konen	D8/107
D500,240	S	*	12/2004	Fancelli	D8/97

D500,656	S	*	1/2005	Fancelli	D8/97
D509,123	S	*	9/2005	Tran	D8/95
D521,346	S	*	5/2006	Budrow	D8/95
7,065,885	B1	*	6/2006	Chen	B23D 51/10 30/331
8,707,564	B2	*	4/2014	Burch	B23D 61/123 30/155
D866,285	S	*	11/2019	Lipscomb	D8/97
D932,276	S	*	10/2021	Thorn	D8/95
2008/0235955	A1	*	10/2008	Rosso	B25G 3/36 30/166.3
2015/0217439	A1	*	8/2015	Miyawaki	B25G 3/02 30/517

* cited by examiner

Primary Examiner — Philip S Hyder

(74) *Attorney, Agent, or Firm* — Leason Ellis LLP

(57) **CLAIM**

The ornamental design for a saw, as shown and described.

DESCRIPTION

FIG. 1 is a perspective view of our saw according to our new design;
 FIG. 2 is a left-side view thereof;
 FIG. 3 is a right-side view thereof;
 FIG. 4 is a front view thereof;
 FIG. 5 is a rear view thereof;
 FIG. 6 is a top plan view thereof; and,
 FIG. 7 is bottom plan view thereof.
 The broken line showing of portions of the saw is included for the purpose of illustrating environmental structure and forms no part of the claimed design.
 Conventional shading is illustrated for purposes of highlighting the line drawings, but forms no part of the claimed design.

1 Claim, 7 Drawing Sheets

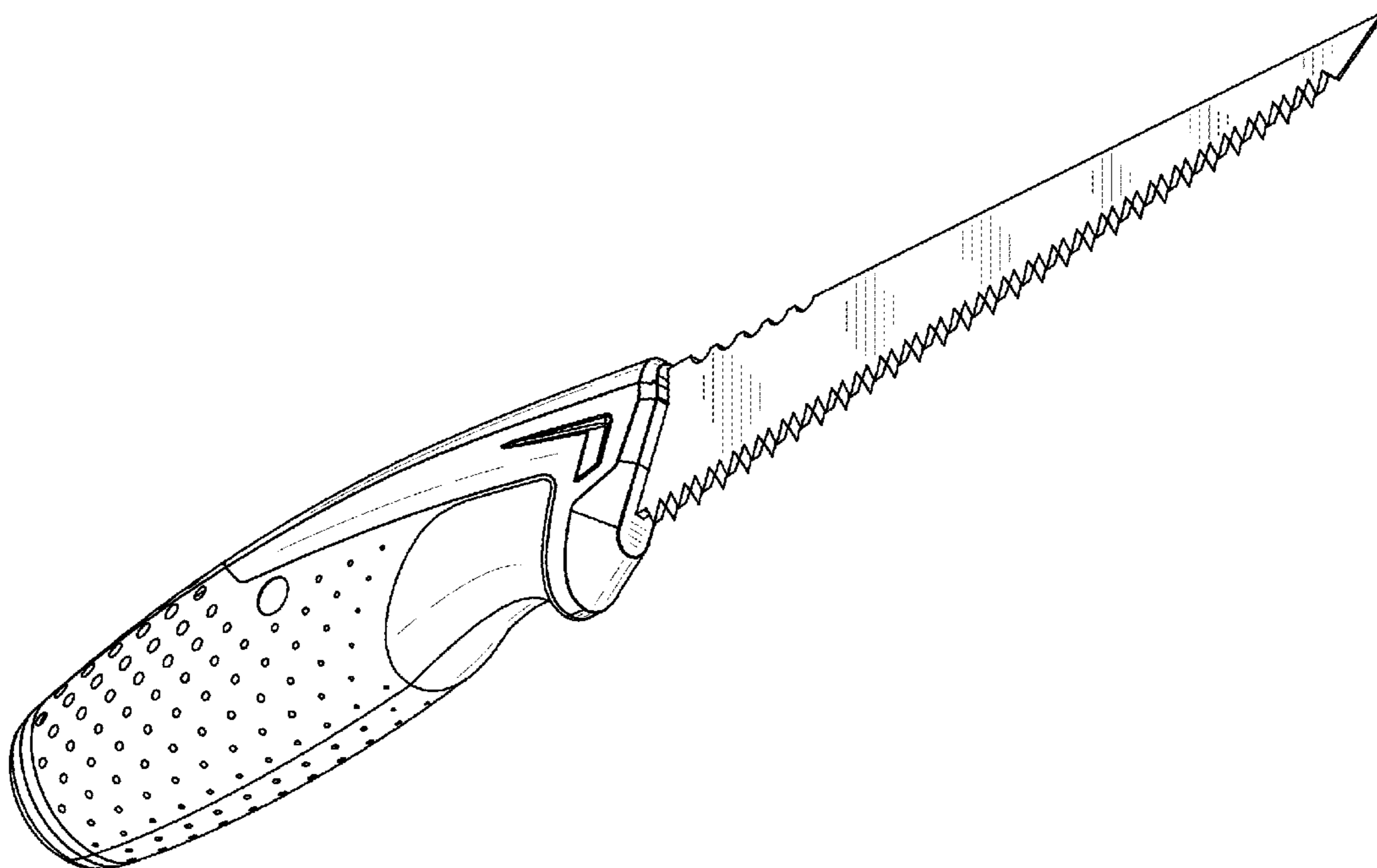


FIG. 1

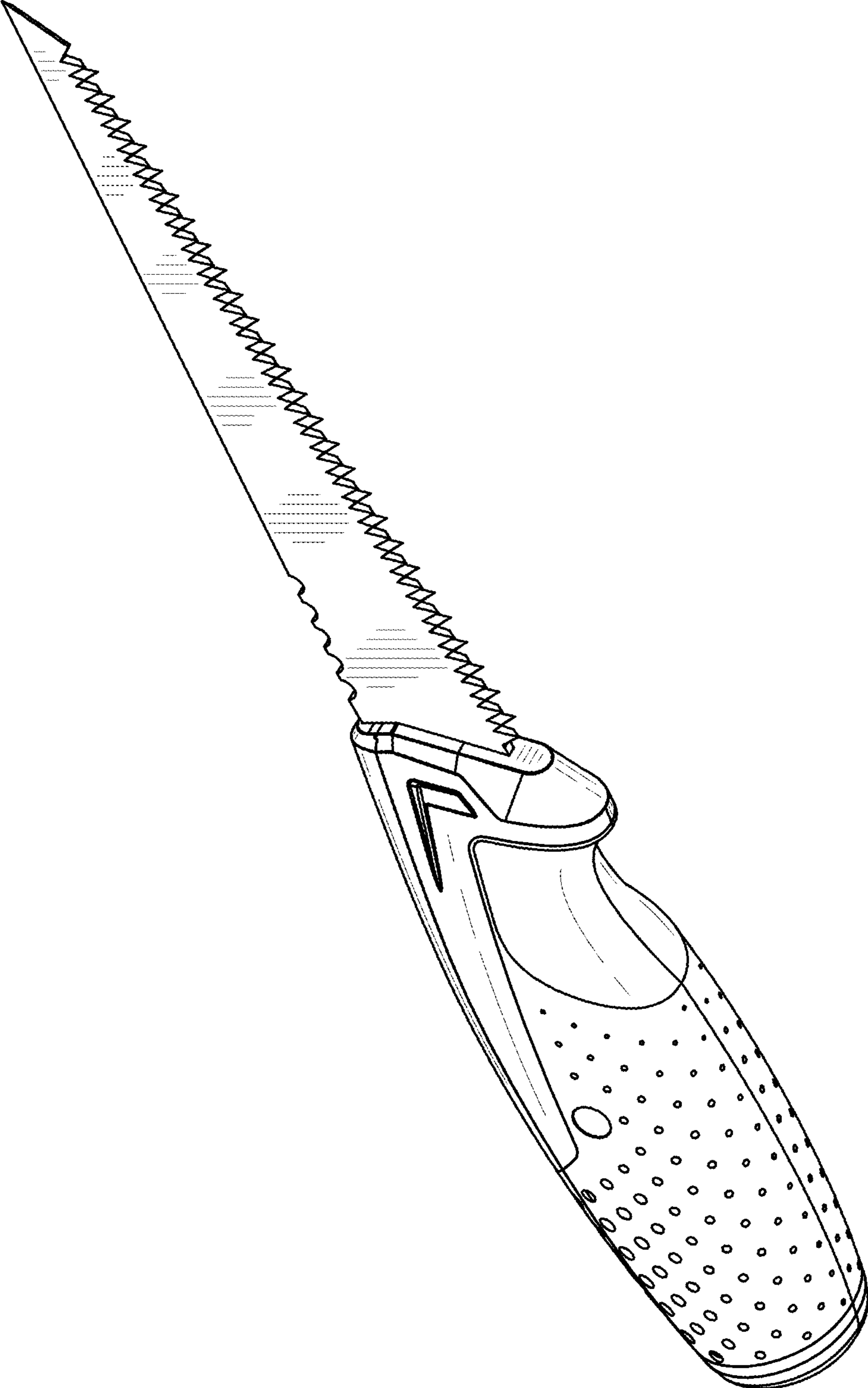


FIG. 2

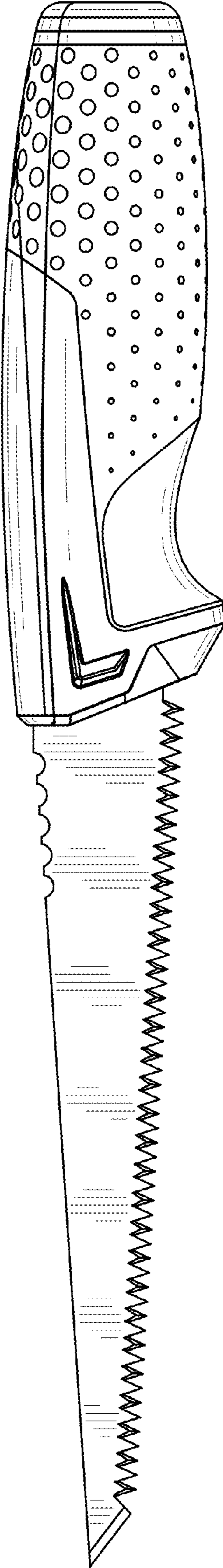


FIG. 3

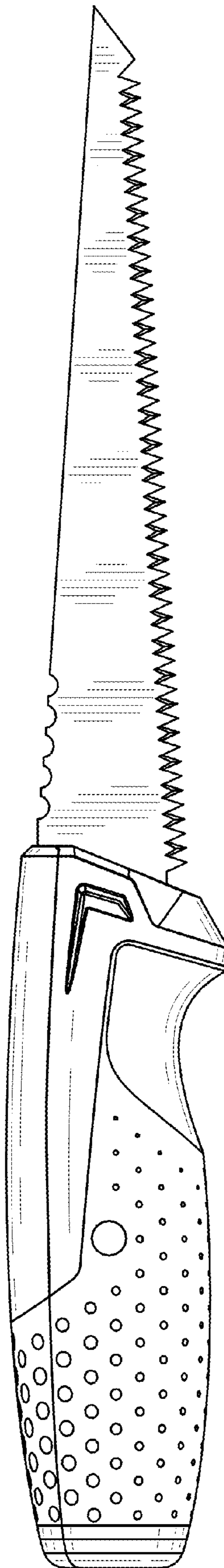


FIG.4

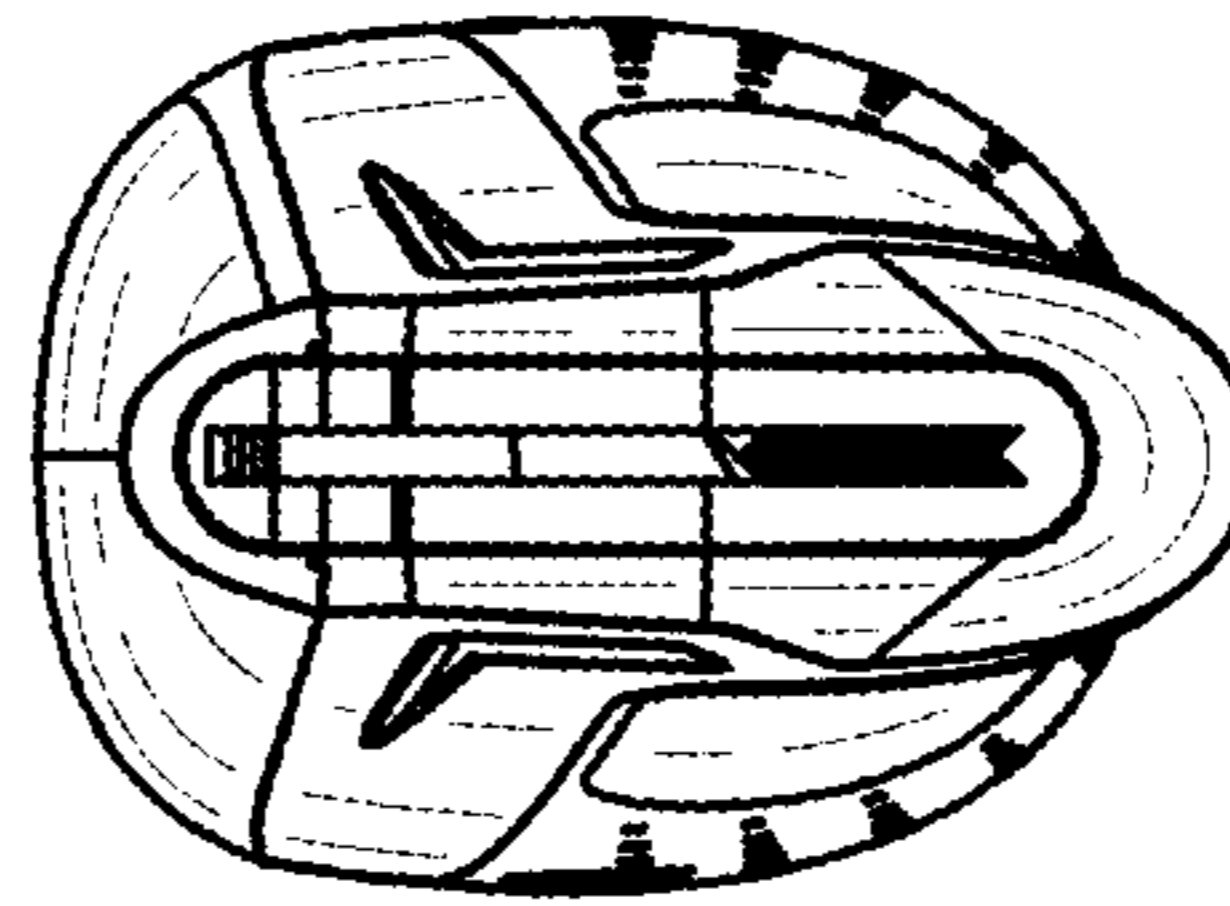


FIG. 5

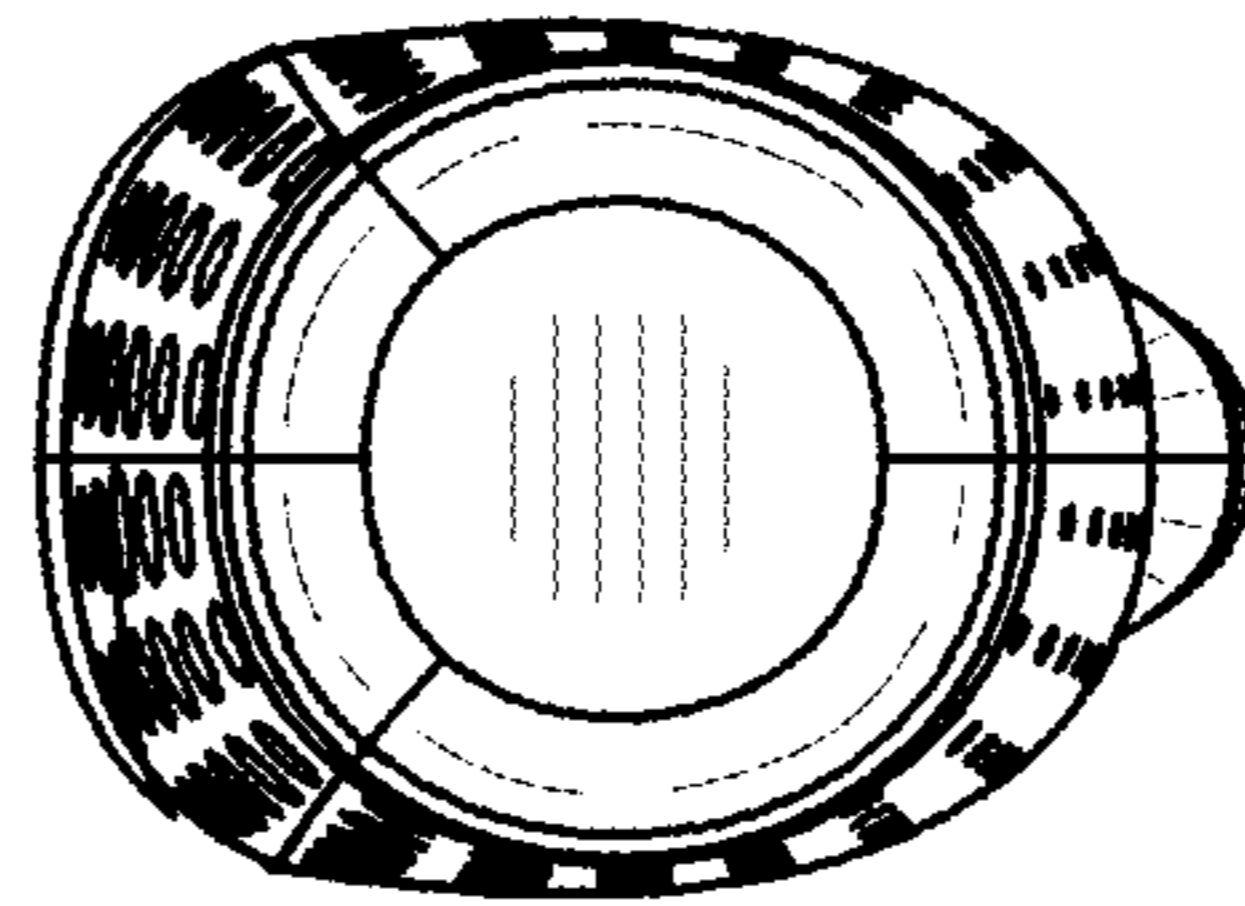


FIG. 6

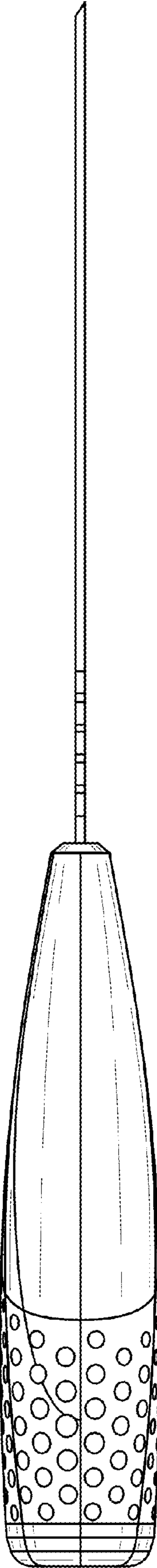


FIG. 7

