

US00D966857S

(12) **United States Design Patent**  
**Prokop**

(10) **Patent No.:** **US D966,857 S**  
(45) **Date of Patent:** **\*\* Oct. 18, 2022**

- (54) **PRY BAR**
- (71) Applicant: **James Edward Prokop**, South Boston, MA (US)
- (72) Inventor: **James Edward Prokop**, South Boston, MA (US)
- (73) Assignee: **James Edward Prokop, Jr.**, South Boston, MA (US)
- (\*\*) Term: **15 Years**
- (21) Appl. No.: **29/778,377**
- (22) Filed: **Apr. 13, 2021**
- (51) **LOC (13) Cl.** ..... **08-05**
- (52) **U.S. Cl.**  
USPC ..... **D8/89**
- (58) **Field of Classification Search**  
USPC ..... D8/14, 17, 88, 89, 105, 349, 354;  
D32/46  
CPC ..... B25C 11/00; B25F 1/006; B66F 15/00  
See application file for complete search history.

- D506,118 S \* 6/2005 Rau ..... D8/89
- 6,959,473 B1 \* 11/2005 Anibas ..... B25B 27/00  
29/239
- 7,185,879 B1 \* 3/2007 Lejuez ..... B25C 11/00  
254/21
- D552,799 S \* 10/2007 Williams ..... B25C 11/00  
D32/49
- 8,328,164 B2 \* 12/2012 Feiler ..... A01K 59/00  
254/131
- 8,567,760 B2 \* 10/2013 Sindt ..... B25C 11/00  
254/25
- 8,955,827 B2 \* 2/2015 Brown ..... B25C 11/00  
254/21
- D729,598 S \* 5/2015 Sagawa ..... D8/16
- 9,657,486 B2 5/2017 Raymond
- 10,100,543 B2 \* 10/2018 Hanson ..... E04G 23/08
- D867,094 S \* 11/2019 Rowley ..... B25C 11/00  
D8/16
- D883,766 S 5/2020 Montes
- 11,345,578 B1 \* 5/2022 Montes ..... A45F 5/021

(Continued)

FOREIGN PATENT DOCUMENTS

GB 2328174 10/1997

Primary Examiner — Philip S Hyder

(57) **CLAIM**

I claim the ornamental design for a pry bar, as shown and described.

**DESCRIPTION**

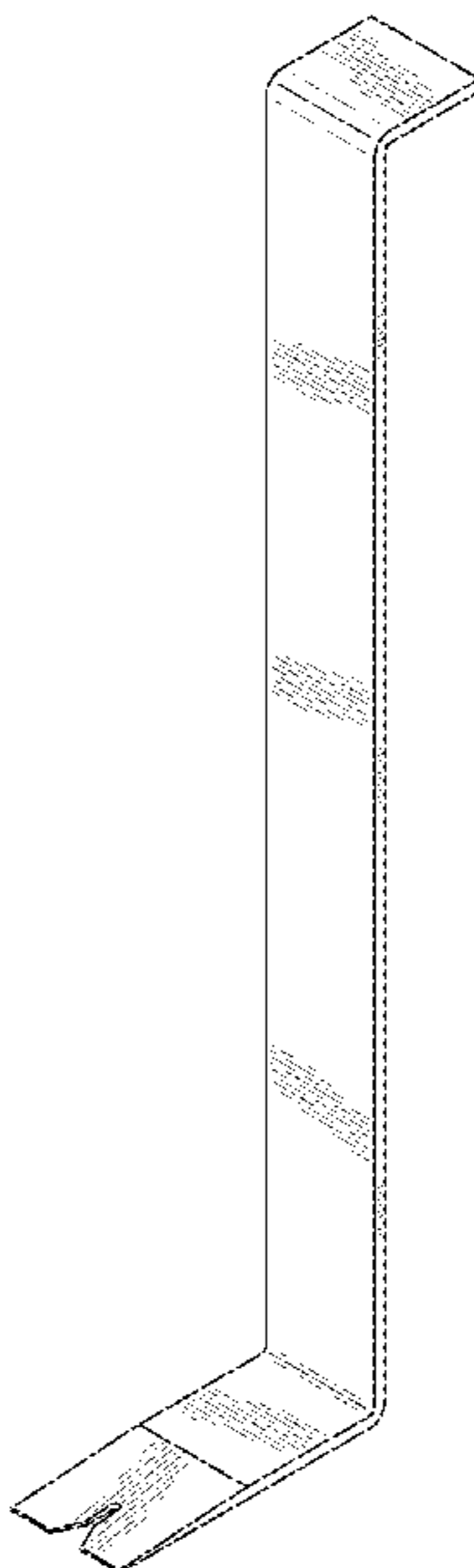
FIG. 1 is a front view of the pry bar.  
FIG. 2 is a rear view of the claimed design.  
FIG. 3 is a left side view of the claimed design.  
FIG. 4 is a right side view of the claimed design.  
FIG. 5 is a top view of the claimed design.  
FIG. 6 is a bottom view of the claimed design.  
FIG. 7 is a front perspective view of the claimed design; and,  
FIG. 8 is a rear perspective view of the claimed design.

**1 Claim, 4 Drawing Sheets**

(56) **References Cited**

U.S. PATENT DOCUMENTS

- 1,647,576 A 11/1927 Alfred
- 4,176,417 A \* 12/1979 Ruff ..... B25F 1/006  
7/161
- 5,207,126 A \* 5/1993 Schaben ..... E04D 15/003  
7/166
- D341,529 S \* 11/1993 Jacobs ..... E04G 23/08  
D25/119
- 5,322,264 A 6/1994 Giambro
- 5,695,171 A \* 12/1997 Shine ..... B25C 11/00  
254/25
- D444,690 S 7/2001 Bond
- D473,765 S \* 4/2003 Gordon ..... B25C 11/00  
D8/18
- 6,598,857 B1 7/2003 Hernandez



(56)

**References Cited**

U.S. PATENT DOCUMENTS

2005/0062026 A1\* 3/2005 Holcomb ..... B25C 11/00  
254/25  
2006/0156685 A1 7/2006 Shank  
2013/0263382 A1\* 10/2013 Sindt ..... B25C 11/00  
7/166

\* cited by examiner

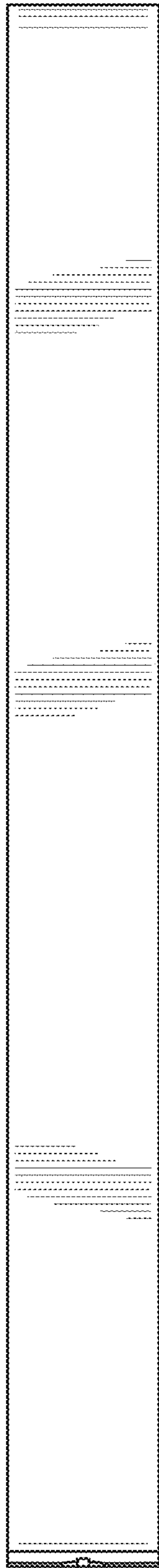


FIG. 1

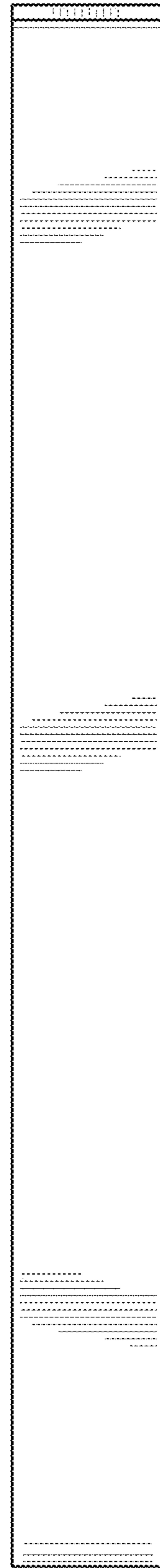


FIG. 2

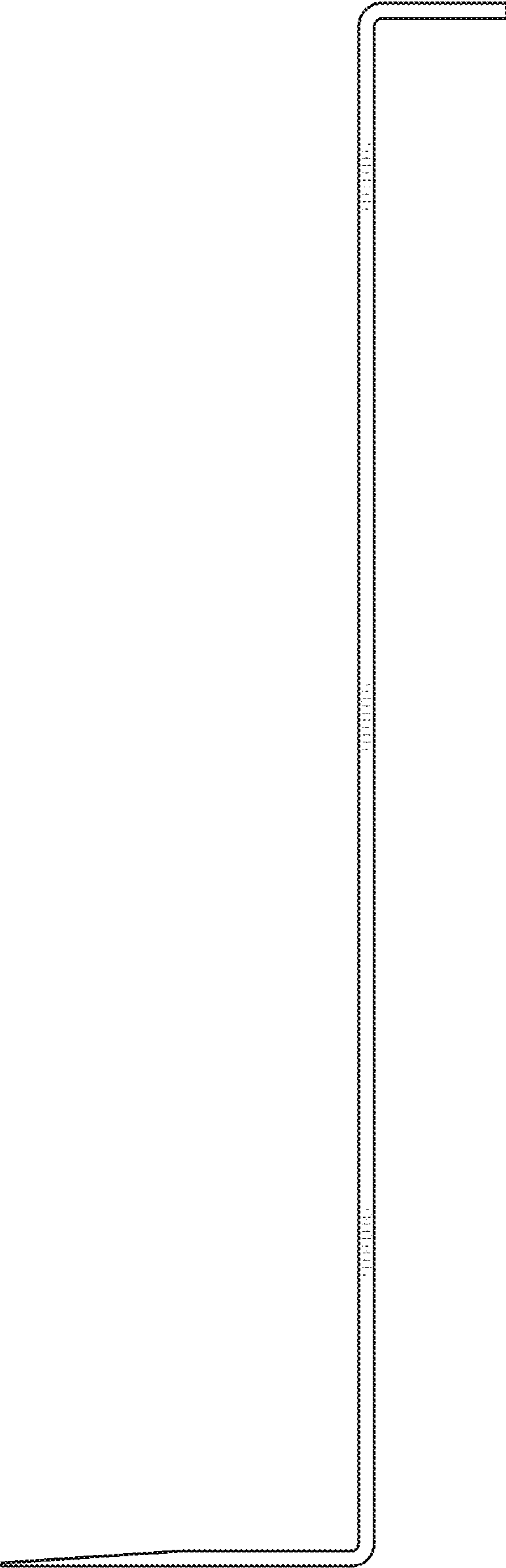


FIG. 3

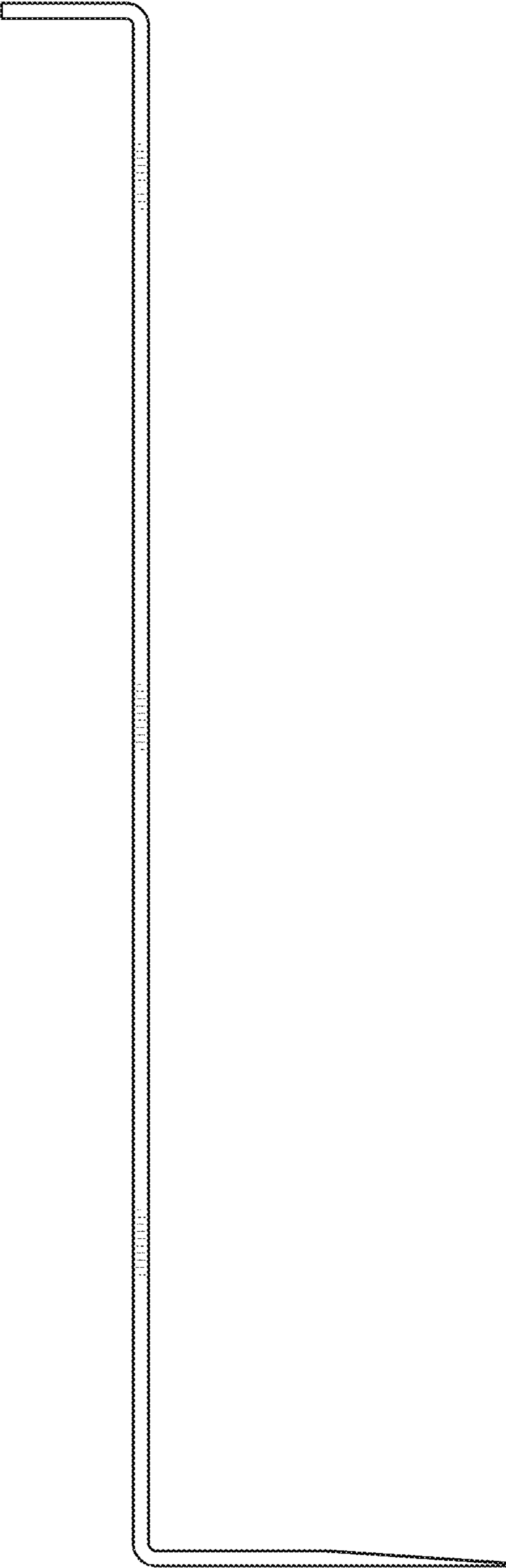


FIG. 4

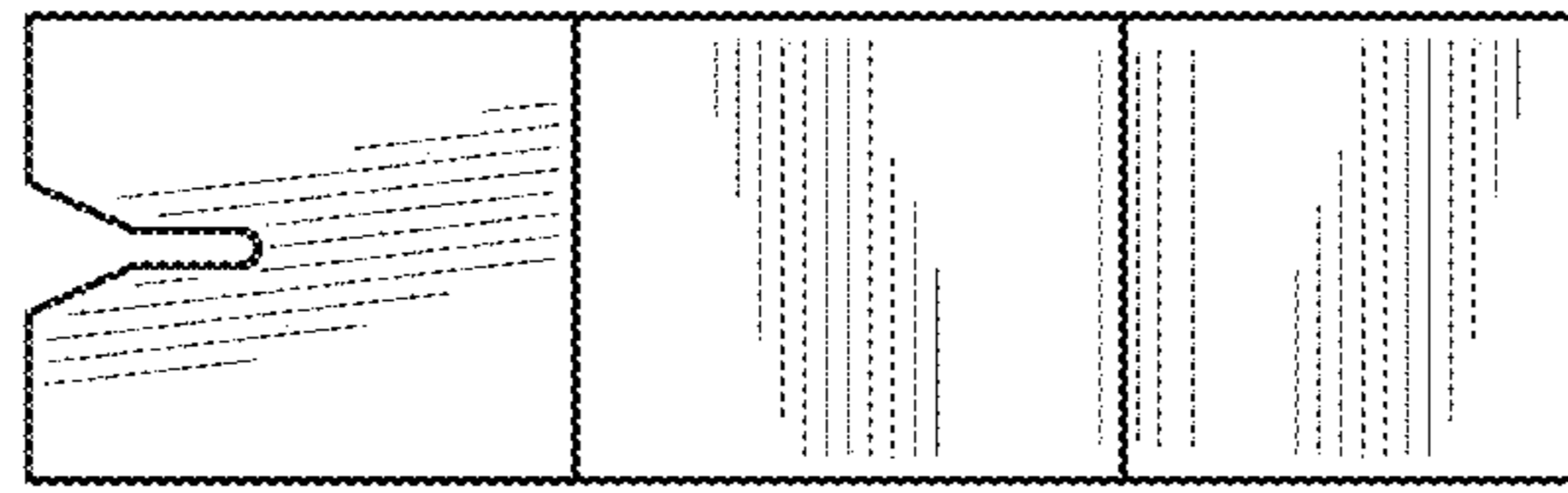


FIG. 5

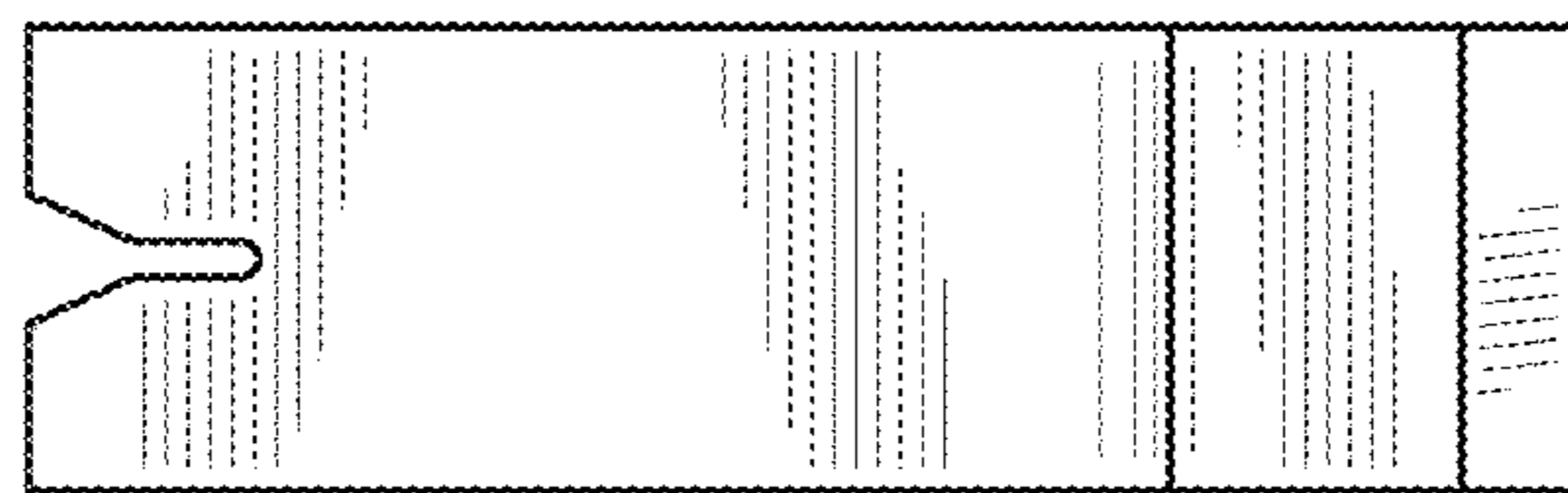


FIG. 6

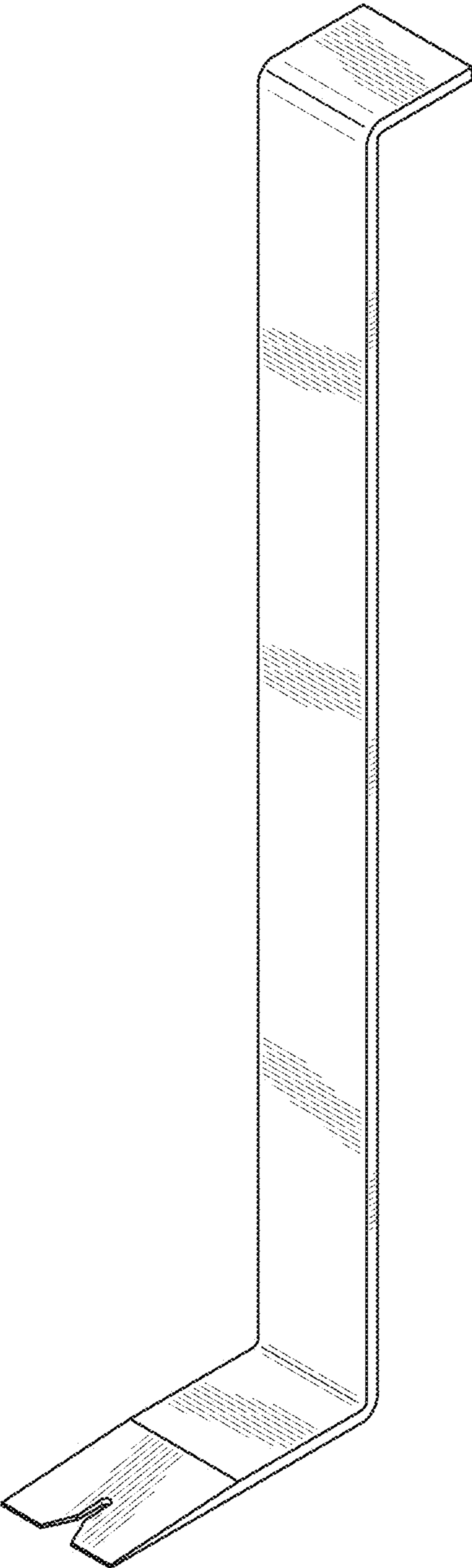


FIG. 7

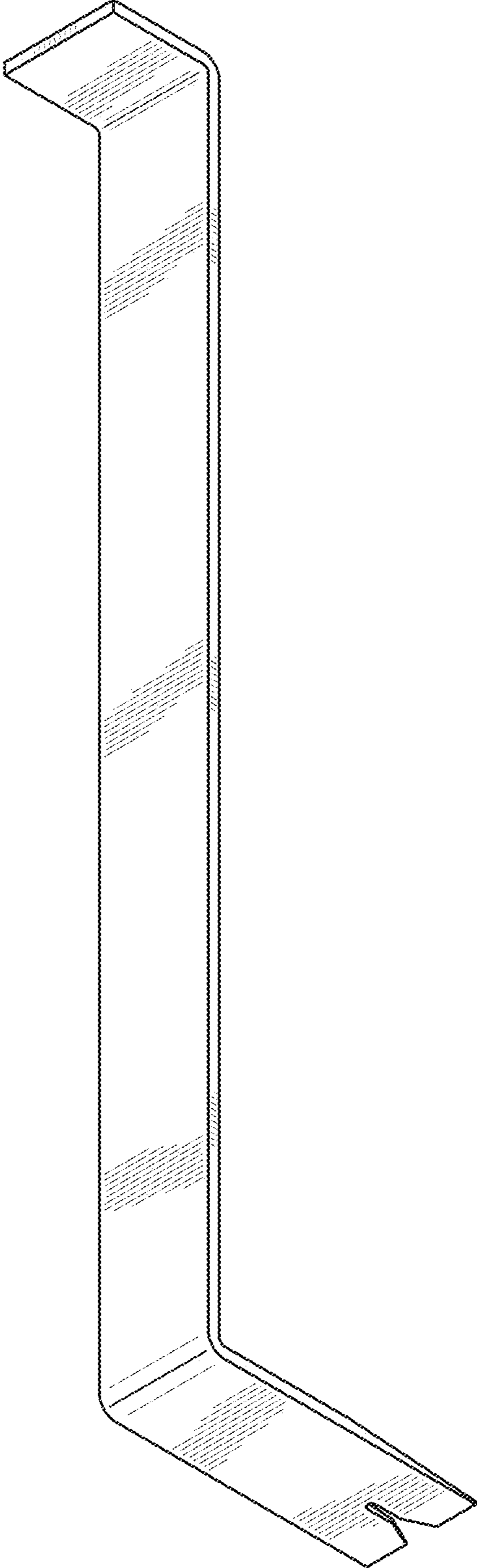


FIG. 8