



US00D966856S

(12) **United States Design Patent**
Yen

(10) **Patent No.:** **US D966,856 S**

(45) **Date of Patent:** **** Oct. 18, 2022**

(54) **HAND TOOL**

(71) Applicant: **Cheng-Hung Yen**, Taichung (TW)

(72) Inventor: **Cheng-Hung Yen**, Taichung (TW)

(**) Term: **15 Years**

(21) Appl. No.: **29/772,474**

(22) Filed: **Mar. 2, 2021**

(51) **LOC (13) Cl.** **08-04**

(52) **U.S. Cl.**
USPC **D8/85**

(58) **Field of Classification Search**
USPC D8/14, 21, 82, 83, 84, 85, 105, 107
CPC B25G 1/085; B25G 15/02; B25G 23/16;
B25B 13/465; B25B 13/06; B25B 13/463;
B25B 15/00; B25B 15/02
See application file for complete search history.

(56) **References Cited**

U.S. PATENT DOCUMENTS

D344,664 S *	3/1994	Malkinson	D8/85
5,713,252 A *	2/1998	Iwinski	B25G 1/105 81/439
D628,867 S *	12/2010	Kamigaki	B25B 13/005 D8/29
D674,265 S *	1/2013	Greer	B25B 13/005 D8/85

D744,796 S *	12/2015	Hsieh	D8/25
10,780,555 B2 *	9/2020	Putsch	B25B 13/005
D932,273 S *	10/2021	Huang	D8/85
D945,247 S *	3/2022	Tenhaken	B25B 13/005 D8/330
D949,660 S *	4/2022	Peng	B25G 1/105 D8/19

* cited by examiner

Primary Examiner — Philip S Hyder

(74) *Attorney, Agent, or Firm* — Birch, Stewart, Kolasch & Birch, LLP

(57) **CLAIM**

The ornamental design for a hand tool, as shown and described.

DESCRIPTION

FIG. 1 is a perspective view of the hand tool, showing the new design;

FIG. 2 is a front elevational view thereof;

FIG. 3 is a left side elevational view thereof;

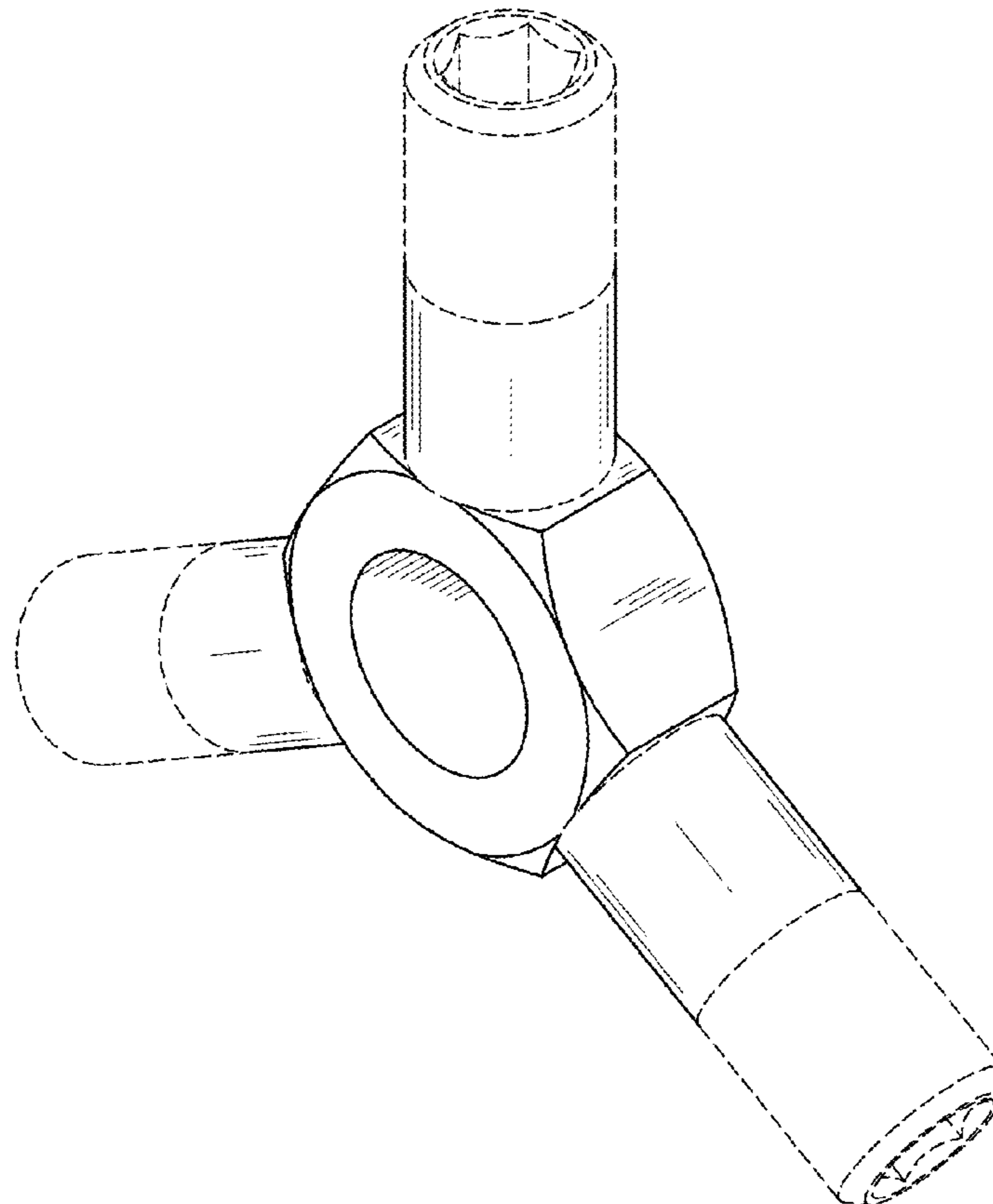
FIG. 4 is a top plan view thereof;

FIG. 5 is a bottom plan view thereof; and,

FIG. 6 is a perspective view showing that the hand tool of the present design is attached with tool bits.

The broken lines shown in FIGS. 1-5 illustrate portions of the hand tool that form no part of the claimed design. The broken lines shown in FIG. 6 illustrate portions of the hand tool and the tool bits that form no part of the claimed design.

1 Claim, 4 Drawing Sheets



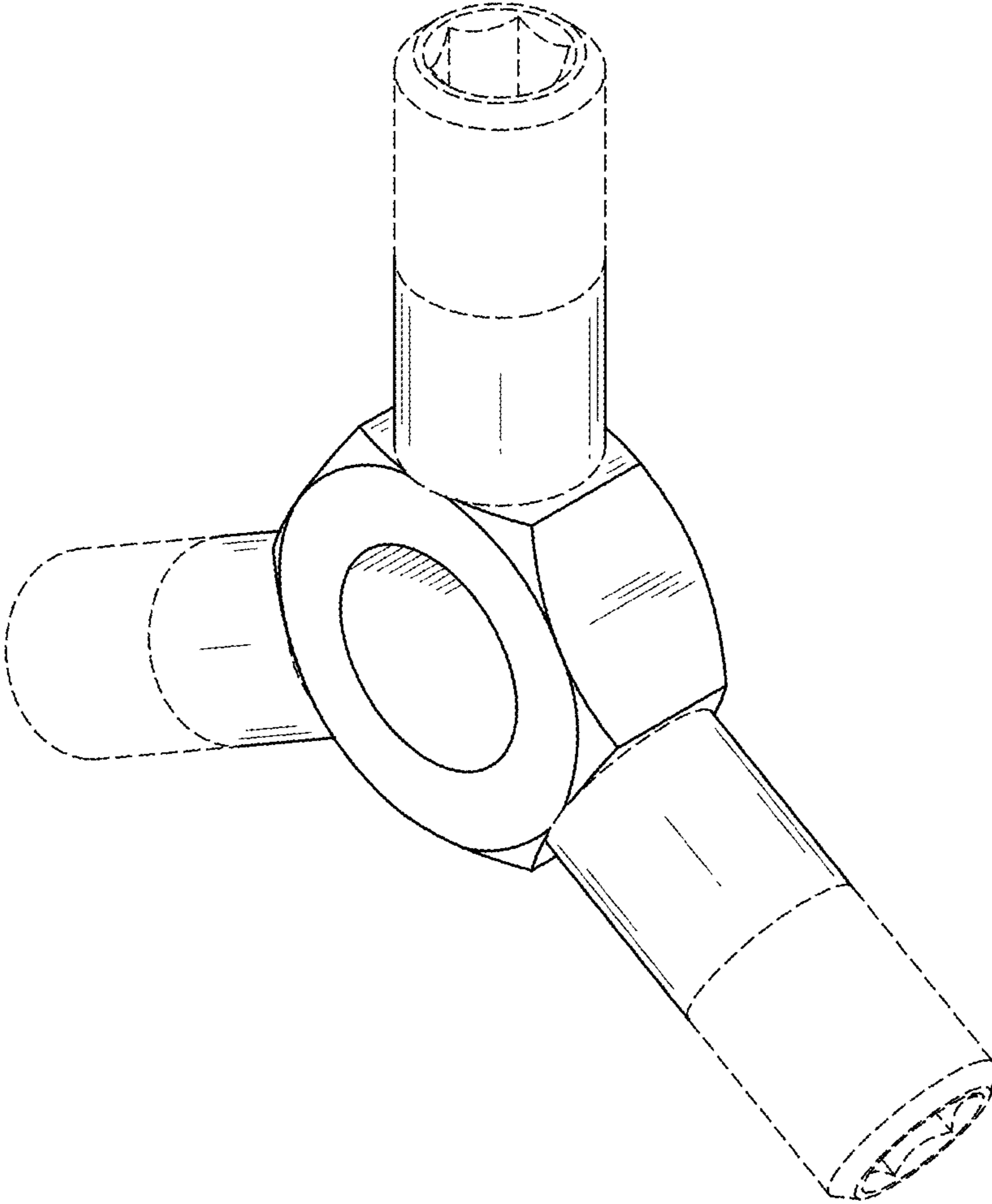


FIG.1

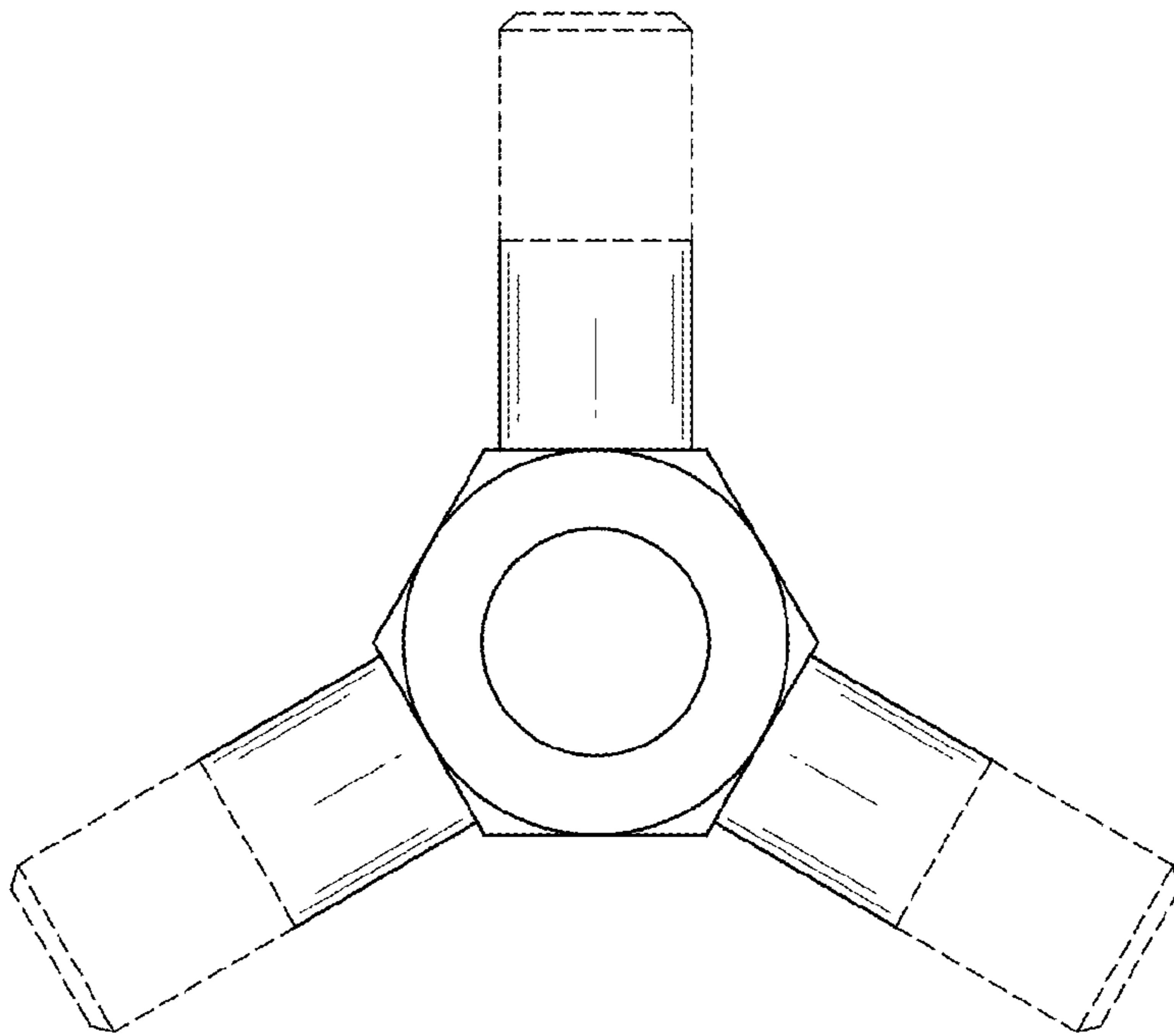


FIG. 2

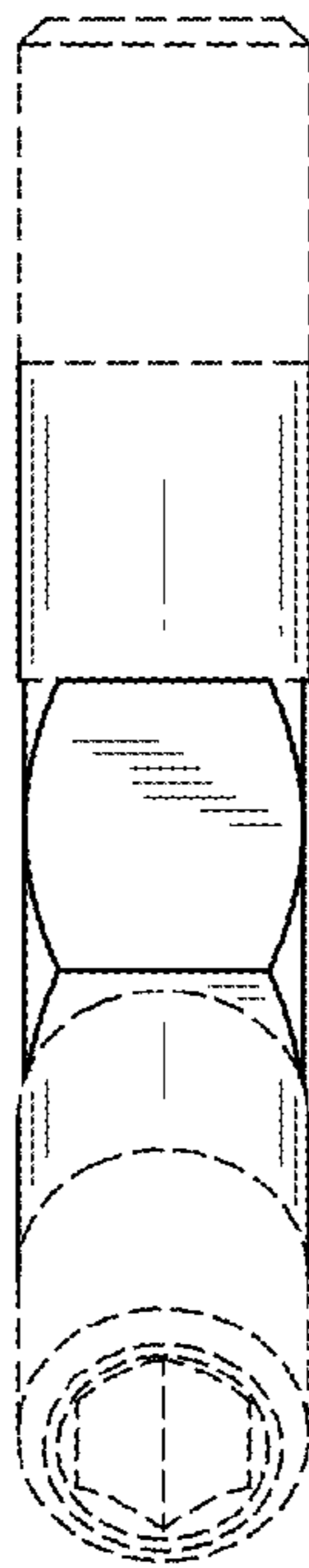


FIG. 3

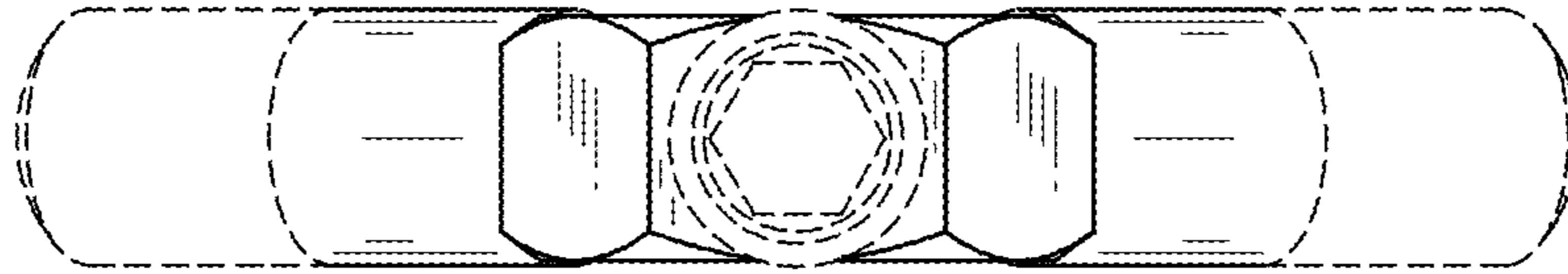


FIG. 4

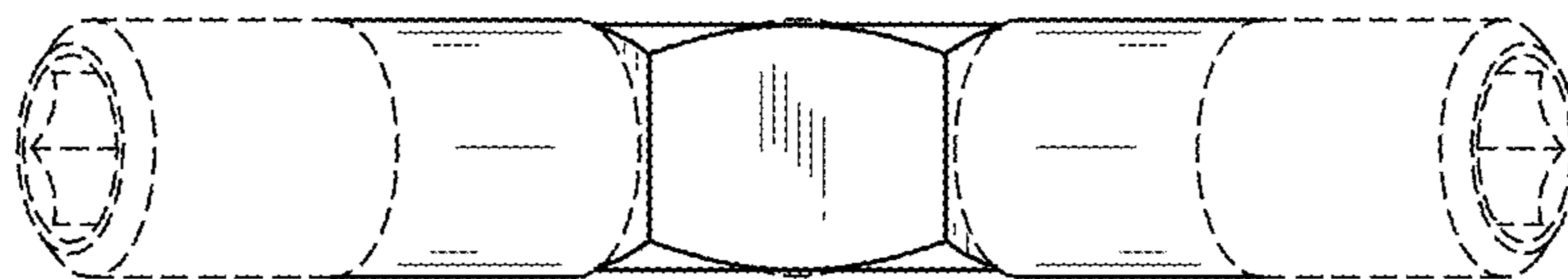


FIG. 5

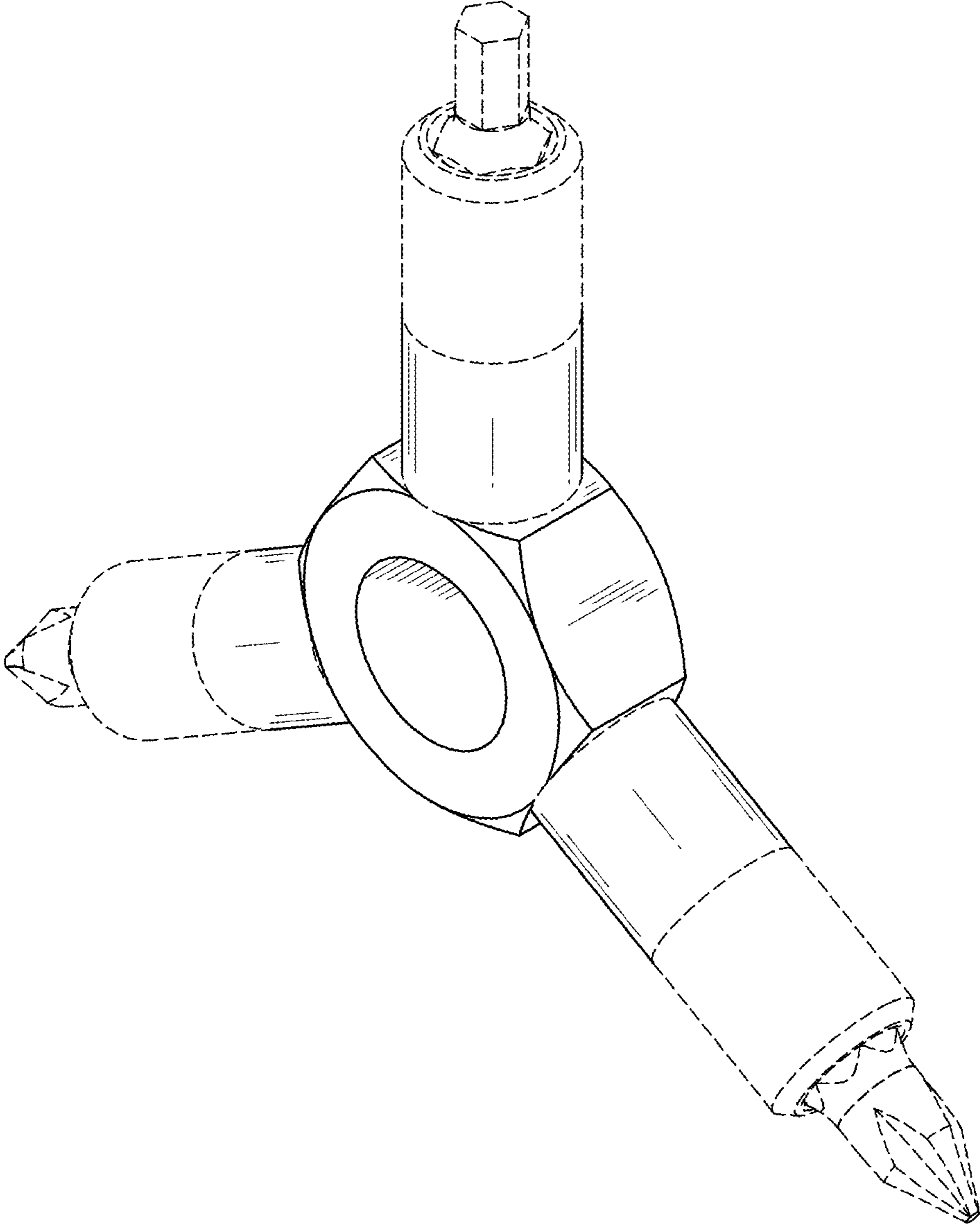


FIG.6