



US00D966851S

(12) **United States Design Patent**  
**Fukasawa et al.**

(10) **Patent No.:** **US D966,851 S**

(45) **Date of Patent:** **\*\* Oct. 18, 2022**

(54) **STAPLER**

(71) Applicants: **NAOTO FUKASAWA DESIGN LTD.**,  
Tokyo (JP); **PLUS CORPORATION**,  
Tokyo (JP)

(72) Inventors: **Naoto Fukasawa**, Tokyo (JP); **Atsushi Tsukamoto**, Tokyo (JP); **Tetsuya Imai**, Tokyo (JP); **So Kubota**, Tokyo (JP)

(73) Assignees: **PLUS CORPORATION**, Tokyo (JP);  
**NAOTO FUKASAWA DESIGN LTD.**,  
Tokyo (JP)

(\*\*) Term: **15 Years**

(21) Appl. No.: **29/735,868**

(22) Filed: **May 26, 2020**

(51) **LOC (13) Cl.** ..... **19-02**

(52) **U.S. Cl.**  
USPC ..... **D8/50**

(58) **Field of Classification Search**

USPC ..... D8/49, 394, 395, 396, 50; D19/65, 72,  
D19/99, 100; 24/67 R, 67.1, 67.3, 67.5,  
24/67.7, 67.9, 67.11, 67 CF, 67 P, 570,  
24/DIG. 8, DIG. 9; 30/358; 281/44  
CPC ..... B25C 5/0242; B25C 5/0285; B25C 5/11;  
B27F 5/17; B26F 1/36  
See application file for complete search history.

(56) **References Cited**

**U.S. PATENT DOCUMENTS**

D302,377 S \* 7/1989 Ancona ..... D8/50  
D306,684 S \* 3/1990 Chan ..... 227/120

D350,677 S \* 9/1994 Khan ..... D8/50  
D350,679 S \* 9/1994 Khan ..... D8/50  
D392,528 S \* 3/1998 Rossetto ..... D8/50  
D534,776 S \* 1/2007 Hong ..... D8/50  
D544,769 S \* 6/2007 Bhavnani ..... D8/50  
D585,256 S \* 1/2009 Paslawski ..... D8/50  
D587,976 S \* 3/2009 Cunningham ..... D8/50  
D697,383 S \* 1/2014 Glogower ..... D8/50  
D786,035 S \* 5/2017 Kuo ..... D8/50

\* cited by examiner

*Primary Examiner* — Austin Murphy

(74) *Attorney, Agent, or Firm* — The Marbury Law Group, PLLC

(57) **CLAIM**

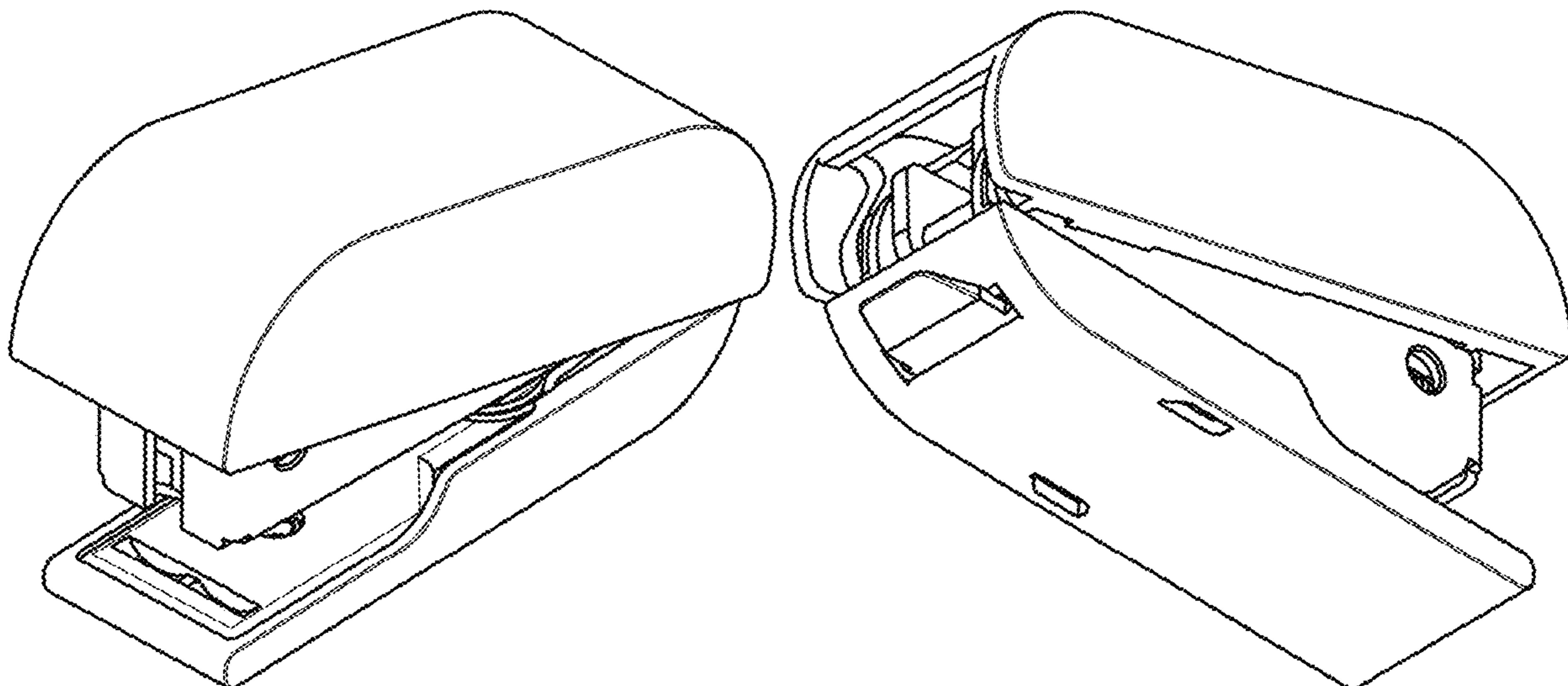
The ornamental design for a stapler, as shown and described.

**DESCRIPTION**

FIG. 1 is a front side view of the stapler design.  
FIG. 2 is a rear view of the stapler design.  
FIG. 3 is a right side view of the stapler design.  
FIG. 4 is a left side view of the stapler design.  
FIG. 5 is a top view of the stapler design.  
FIG. 6 is a bottom view of the stapler design.  
FIG. 7 is a front left side perspective view of the stapler design; and,  
FIG. 8 is a bottom right side perspective view of the stapler design.

The broken lines in the drawings illustrate portions of the stapler which form no part of the claimed design.

**1 Claim, 8 Drawing Sheets**



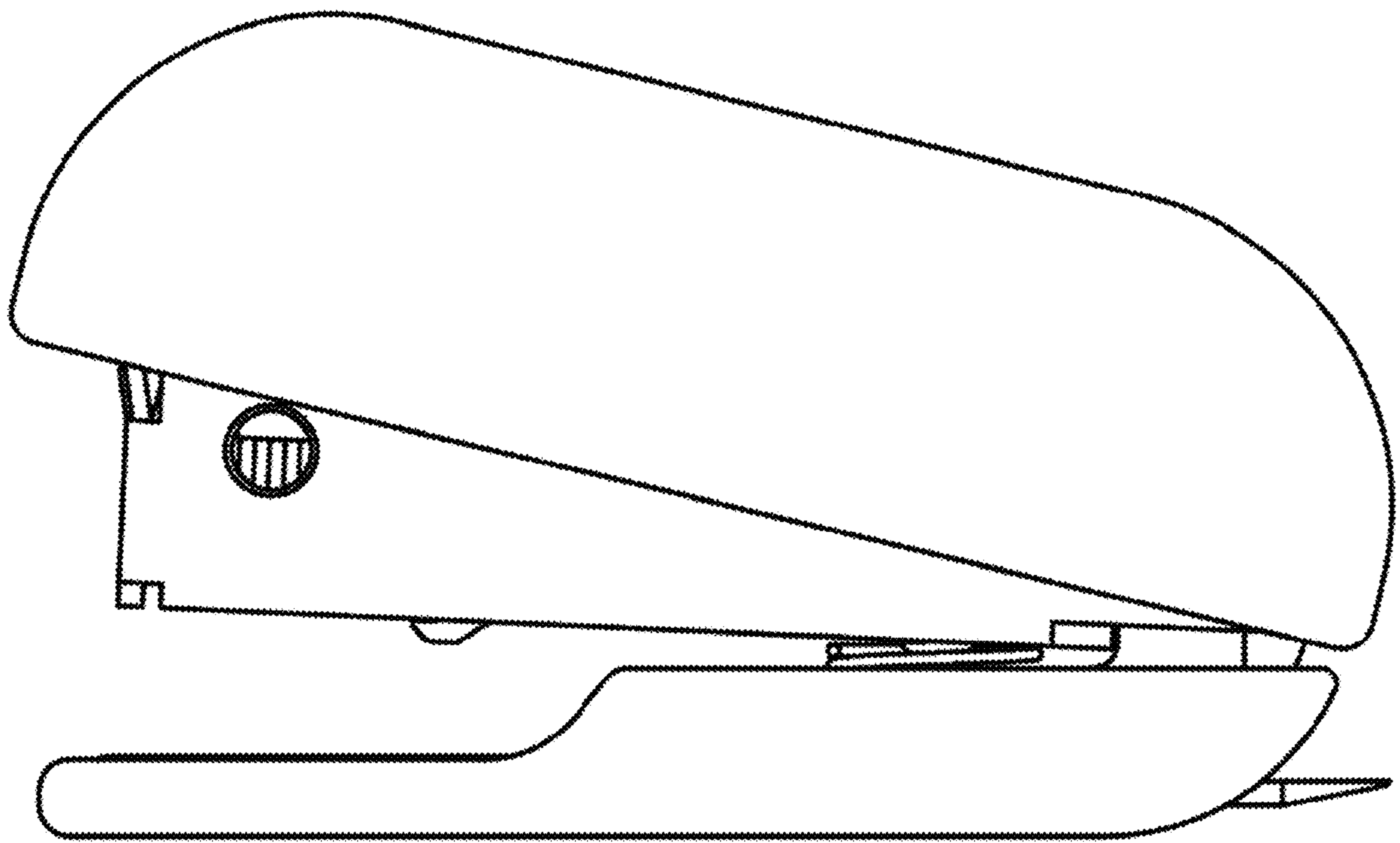


FIG. 1

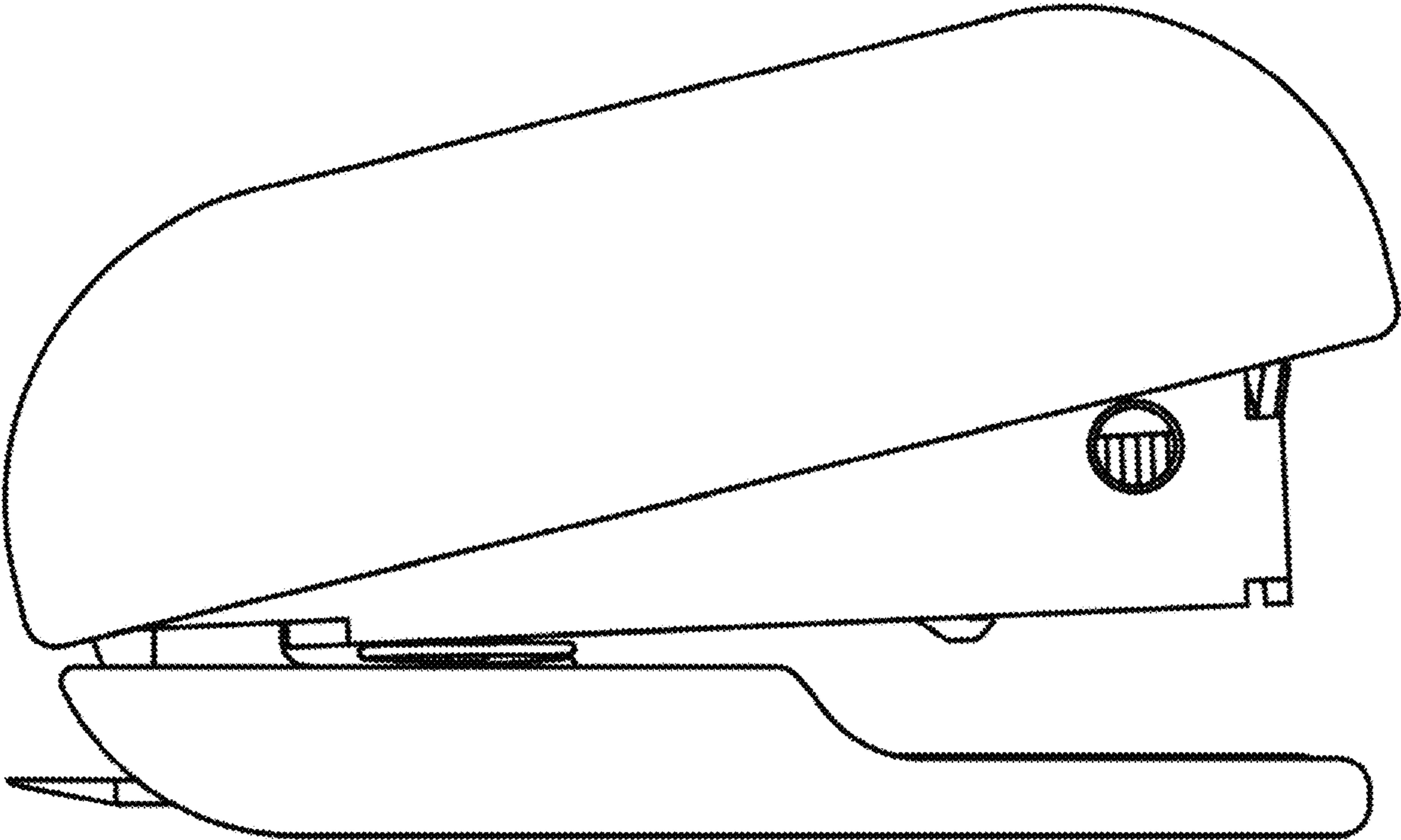


FIG. 2

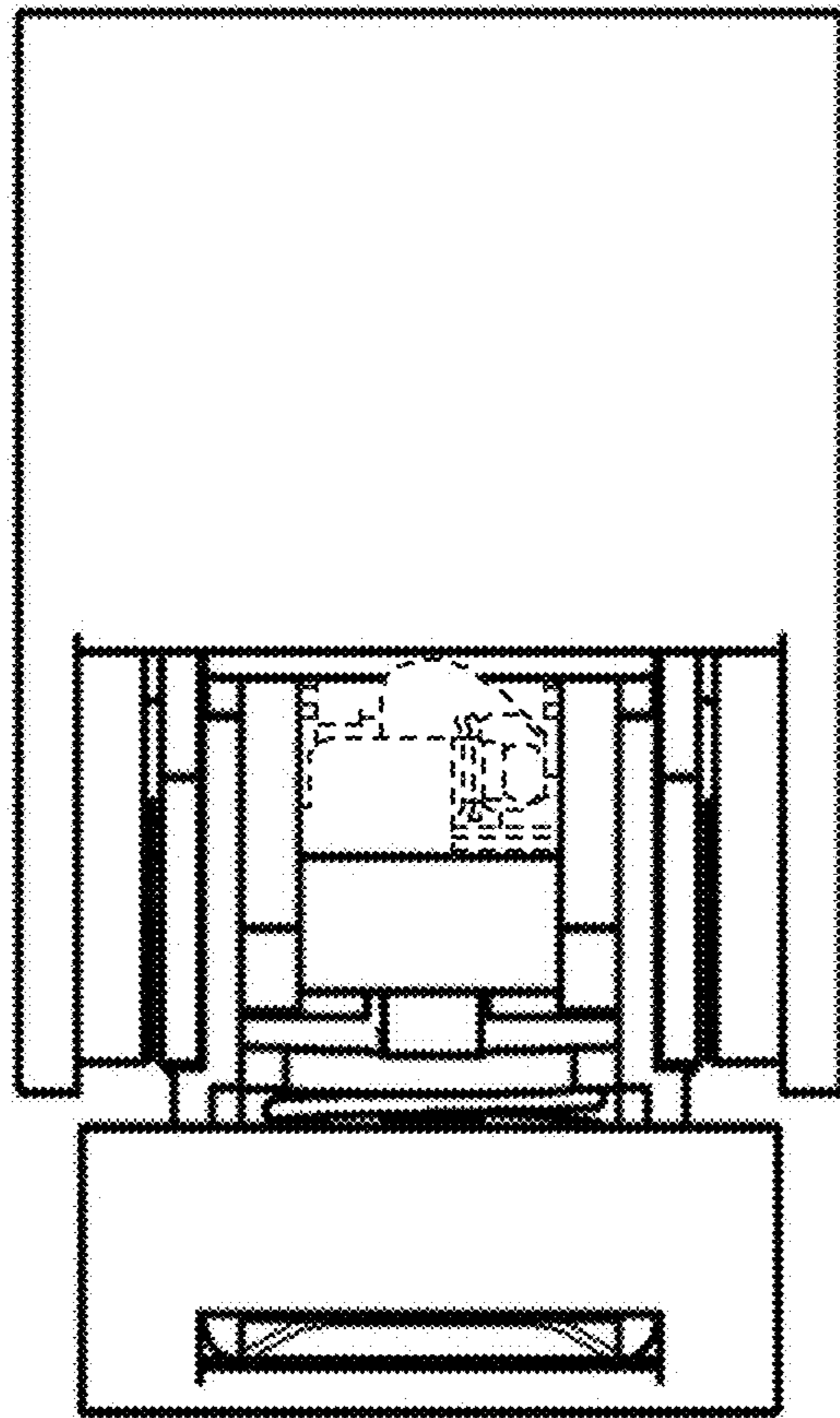


FIG. 3

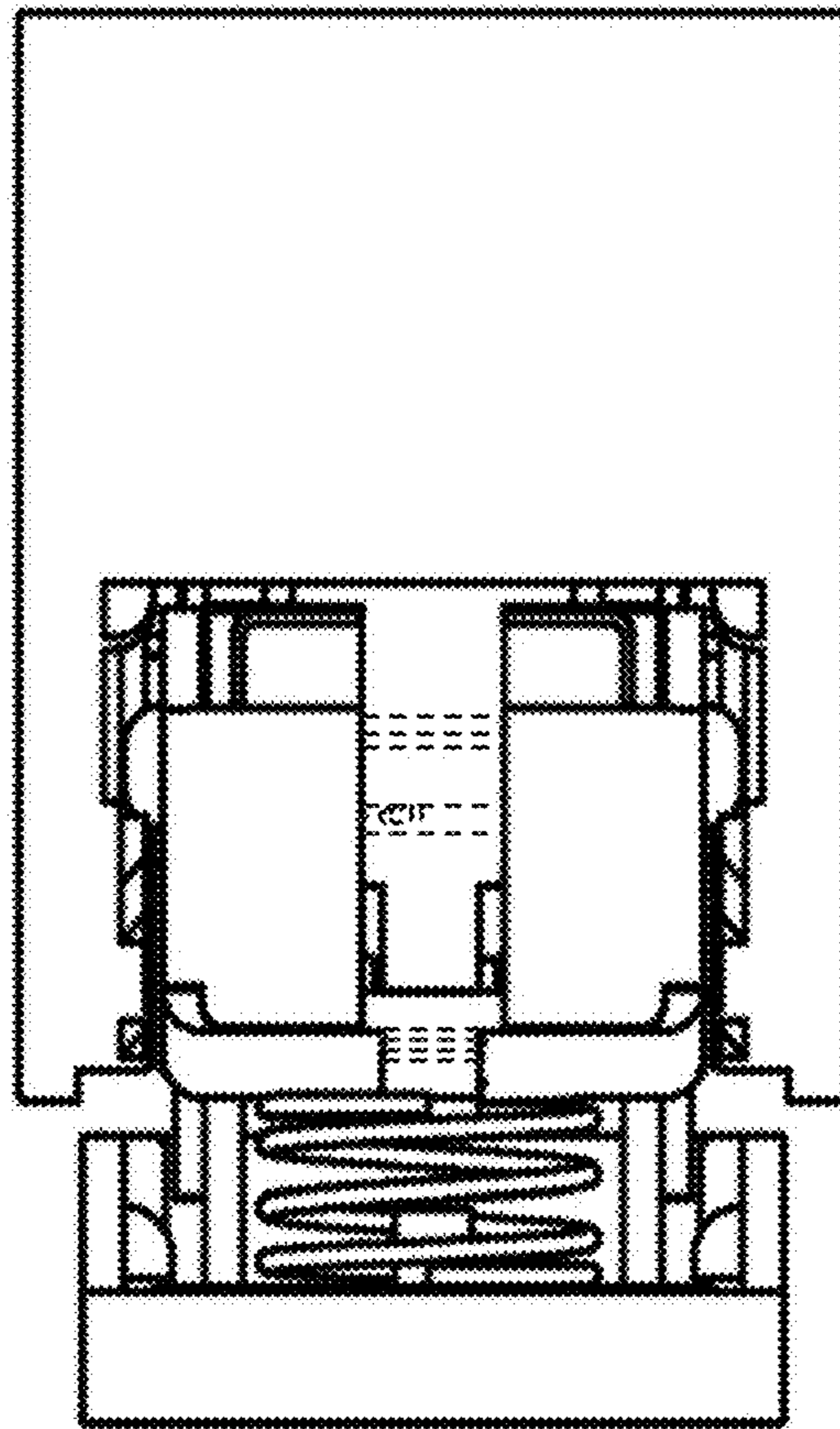


FIG. 4

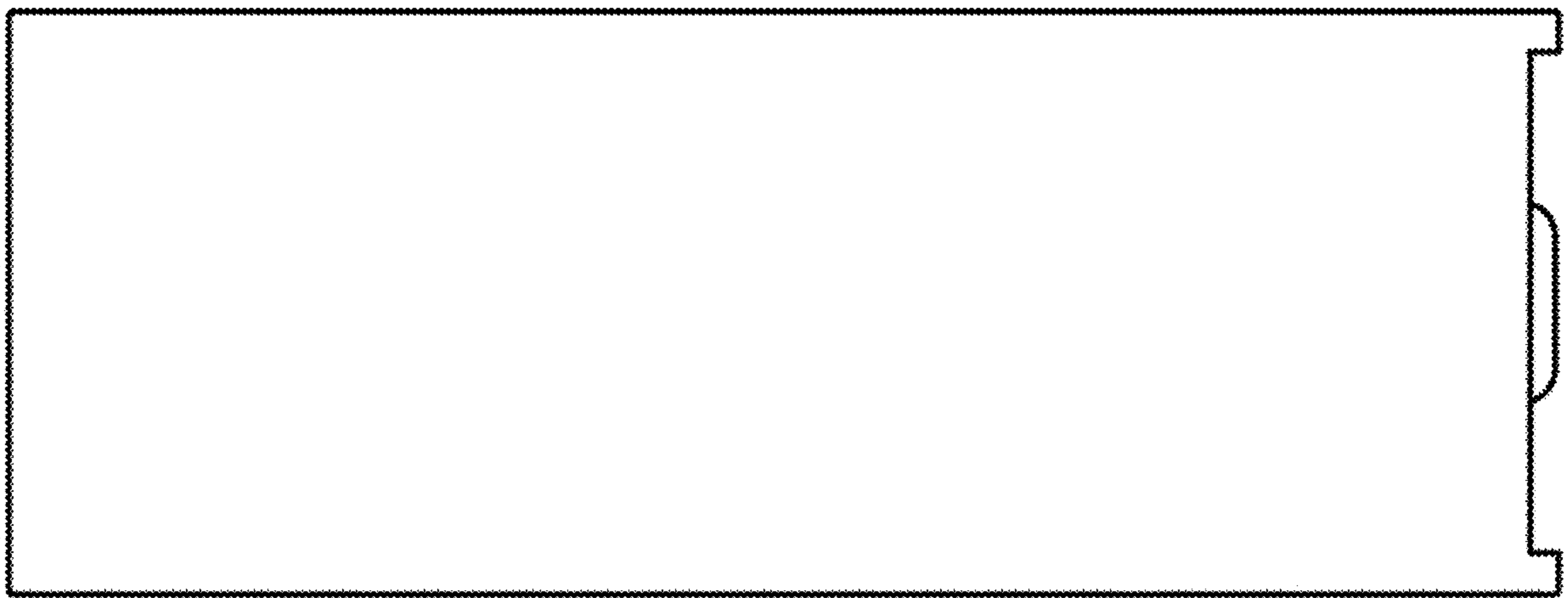


FIG. 5

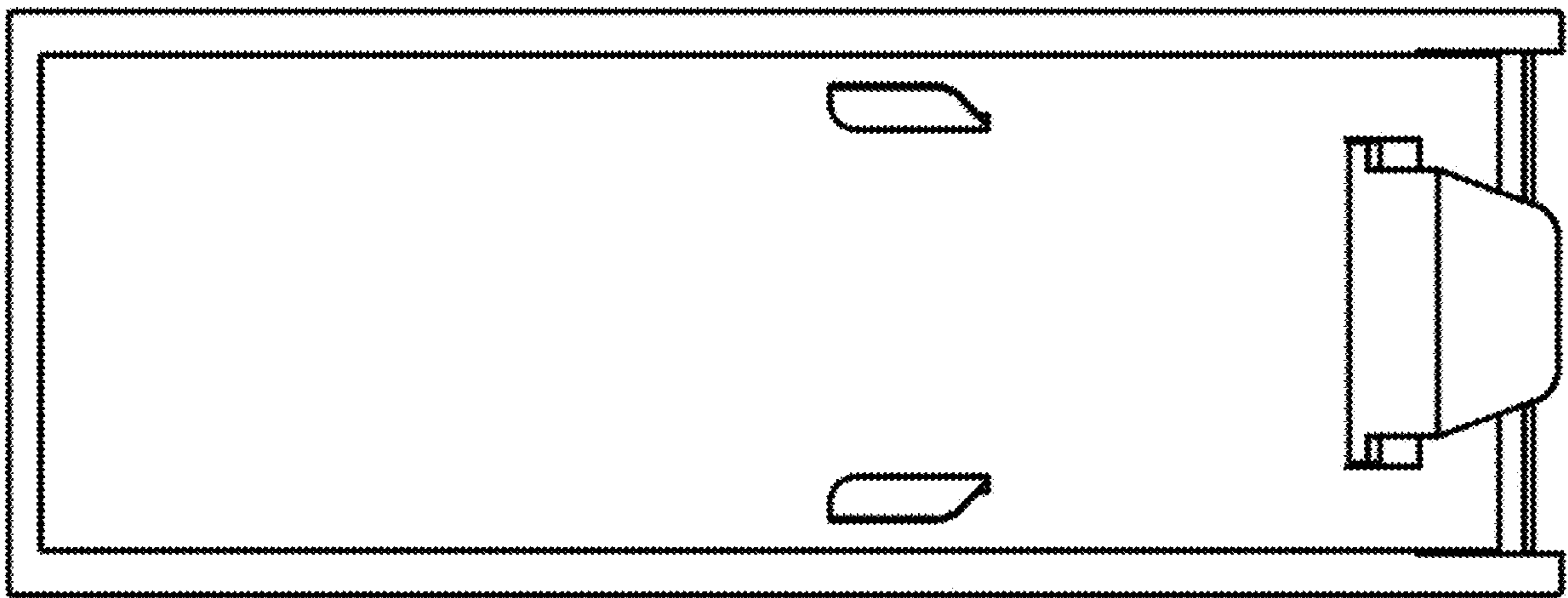


FIG. 6

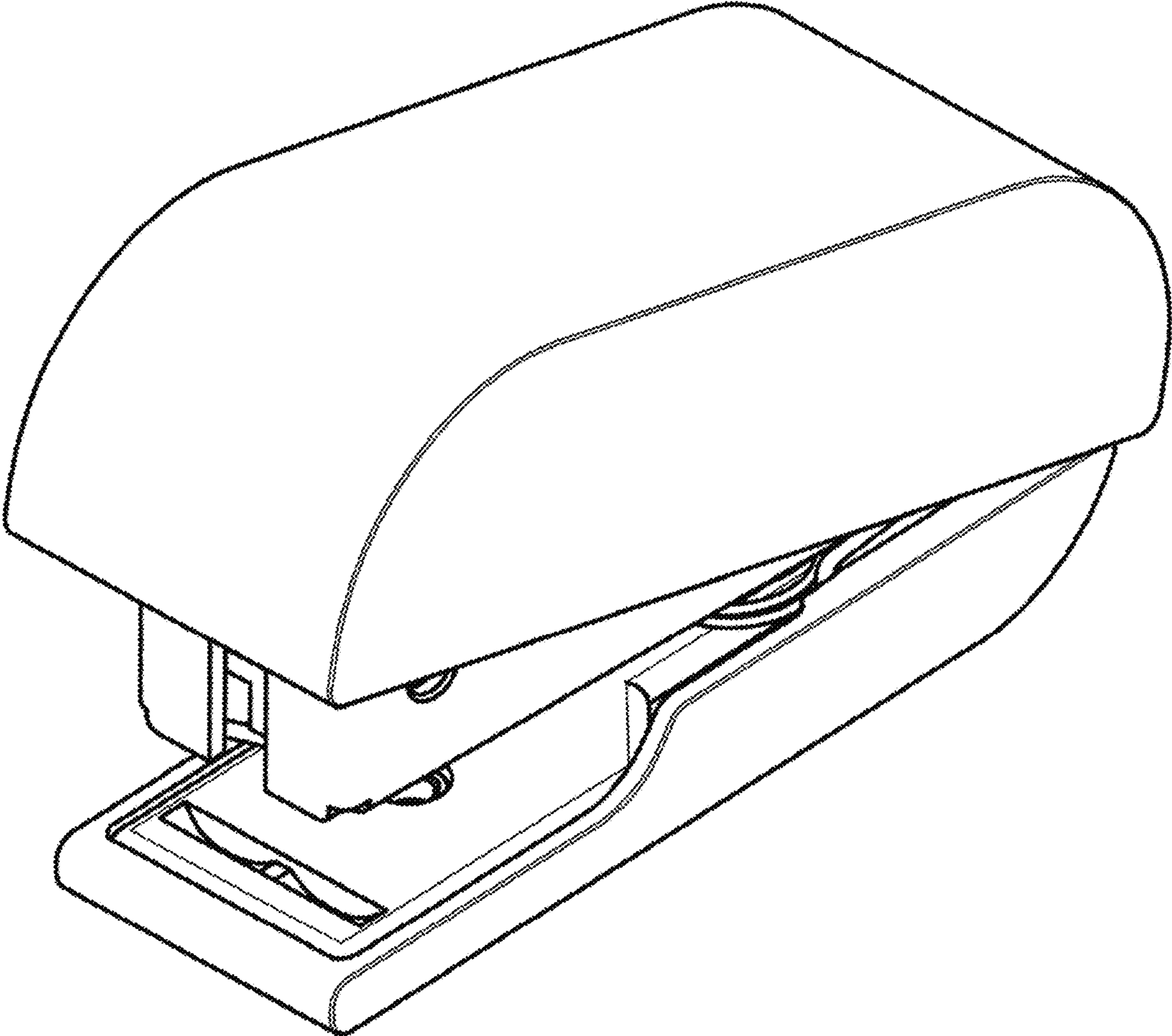


FIG. 7



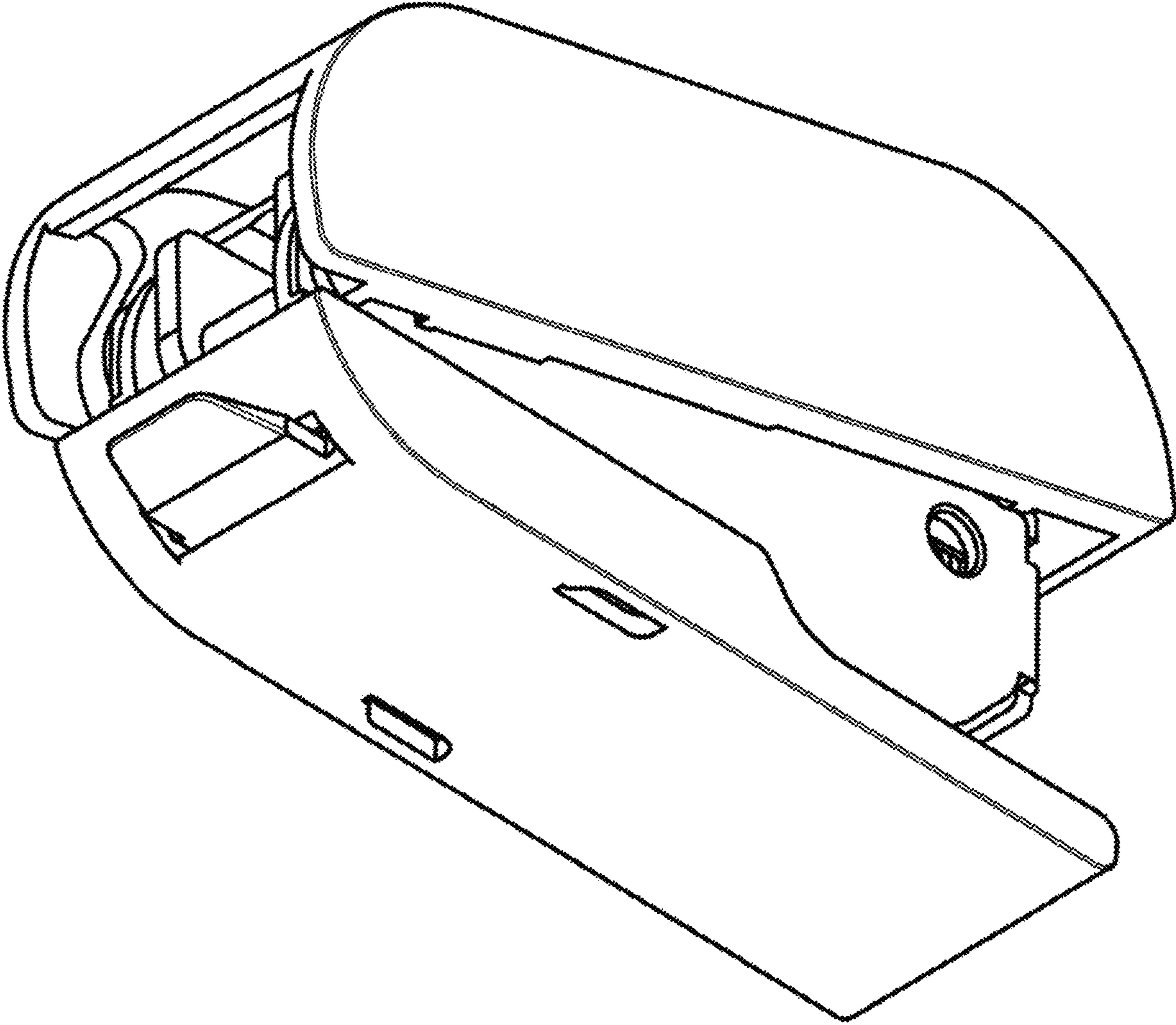


FIG. 8