



US00D966850S

(12) **United States Design Patent** (10) **Patent No.:** **US D966,850 S**  
**Sung** (45) **Date of Patent:** **\*\* Oct. 18, 2022**

(54) **KNIFE WITH BOTTLE OPENER**  
(71) Applicant: **Shaoching Sung**, Chino, CA (US)  
(72) Inventor: **Shaoching Sung**, Chino, CA (US)  
(\*\*) Term: **15 Years**  
(21) Appl. No.: **29/828,184**  
(22) Filed: **Feb. 24, 2022**  
(51) **LOC (13) Cl.** ..... **07-06**  
(52) **U.S. Cl.**  
USPC ..... **D8/34; D8/100**  
(58) **Field of Classification Search**  
USPC ..... D8/1, 4, 5, 7, 9, 11, 12, 13, 18, 20, 33,  
D8/34, 35, 36, 38, 40, 90, 92, 93, 98, 99,  
D8/100, 104, 105; D7/649, 653, 667,  
D7/683, 685, 686, 687, 692; D15/13;  
30/155, 161, 408; 7/118, 158, 113  
CPC ..... B26B 5/005; B26B 5/006; B26B 9/00;  
B26B 9/02; B67B 7/00; B67B 7/16;  
B67B 7/30; B67B 7/34; B67B 2007/303;  
B67B 2007/306  
See application file for complete search history.

3,542,231 A \* 11/1970 Wettermann ..... B65D 41/185  
D8/18  
D395,384 S 6/1998 Farfalli  
D406,025 S 2/1999 Hung  
D421,559 S 3/2000 Hollinger  
D437,538 S \* 2/2001 Corredor ..... D8/38  
D498,997 S 11/2004 Corredor et al.  
D794,410 S 8/2017 Wu  
D843,185 S \* 3/2019 Marcial ..... D8/38

**FOREIGN PATENT DOCUMENTS**

CN 302411549 4/2013  
EM 000778923-0001 7/2007

\* cited by examiner

*Primary Examiner* — Rachel A. Voorhies  
*Assistant Examiner* — Benjamin D. Wannemacher  
(74) *Attorney, Agent, or Firm* — Loza & Loza, LLP;  
Heidi Eisenhut

(57) **CLAIM**

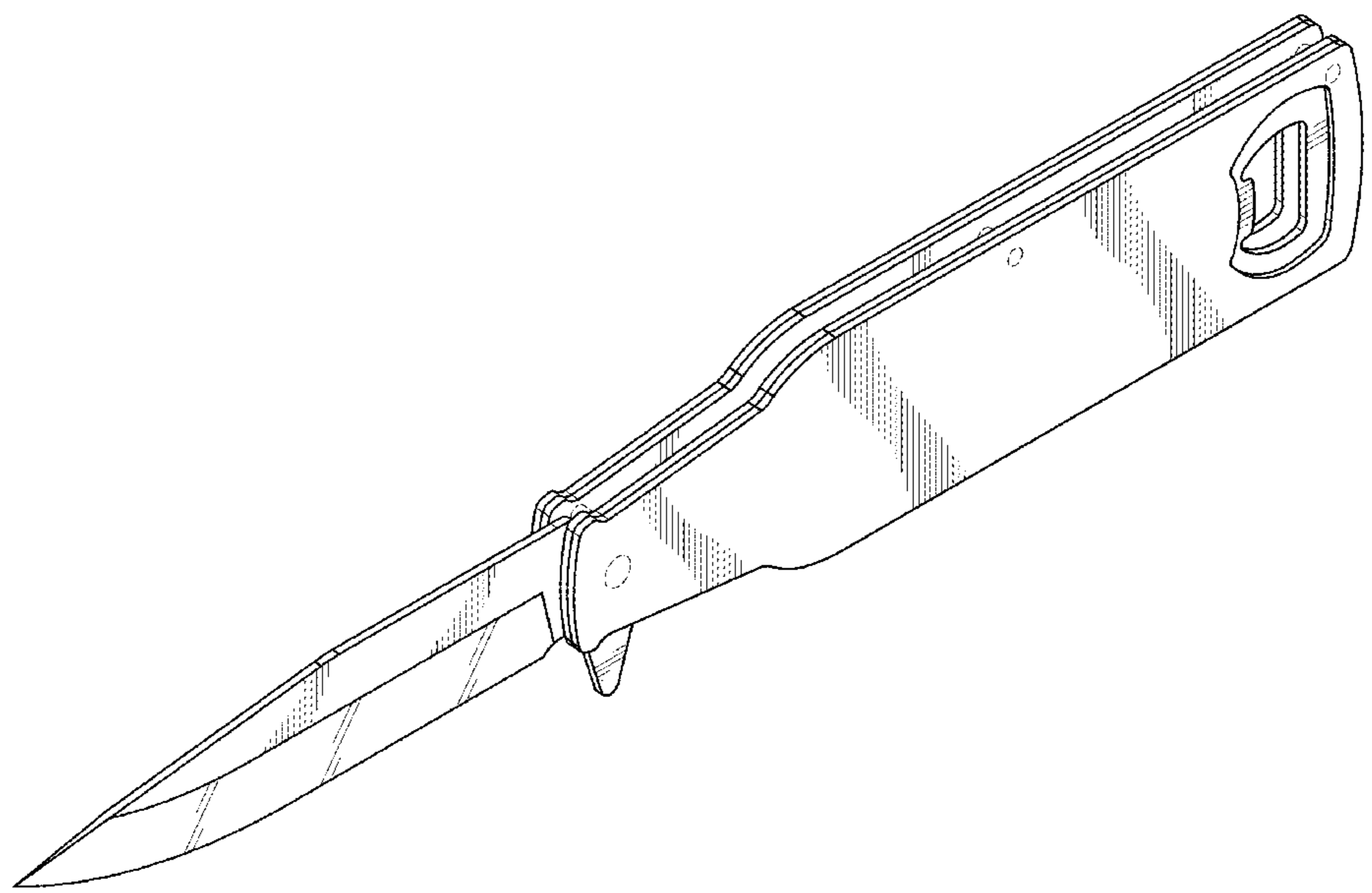
I claim the ornamental design for a knife with bottle opener, as shown and described.

**DESCRIPTION**

FIG. 1 is a left, top perspective view of a knife with bottle opener in an open configuration, showing my new design; FIG. 2 is a left-side elevation view thereof; FIG. 3 is a right-side elevation view thereof; FIG. 4 is a front elevation view thereof; FIG. 5 is a back elevation view thereof; FIG. 6 is a top plan view thereof; FIG. 7 is a bottom plan view thereof; FIG. 8 is a left, top perspective view of the knife in a closed configuration thereof; and, FIG. 9 is a left-side elevation view thereof. The broken lines illustrate portions of the knife with bottle opener that form no part of the claimed design.

**1 Claim, 7 Drawing Sheets**

(56) **References Cited**  
**U.S. PATENT DOCUMENTS**  
725,951 A \* 4/1903 Purrow ..... A47J 17/02  
30/123.5  
959,220 A \* 5/1910 Hoeft ..... B65D 51/243  
D8/18  
D42,305 S \* 3/1912 Sommer ..... D8/18  
D46,468 S \* 9/1914 Falconer ..... D8/18  
D47,778 S \* 8/1915 Yapczenski ..... B65D 41/185  
30/152  
D51,772 S \* 2/1918 Berkshire ..... D7/649  
2,016,513 A \* 10/1935 Pollock ..... B67B 7/16  
81/3.35  
2,070,212 A 2/1937 Minden  
2,745,301 A 5/1956 Grunwald



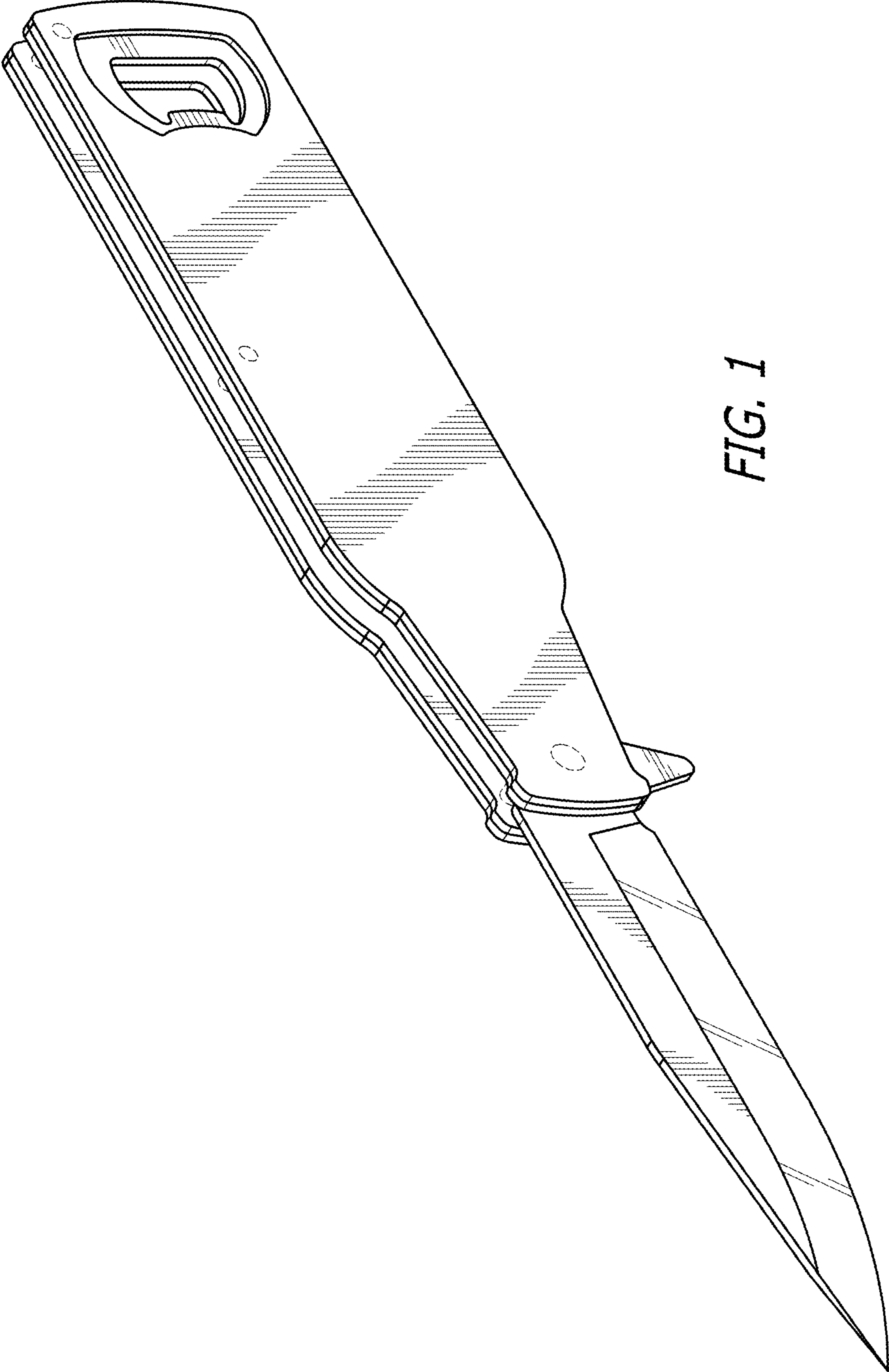


FIG. 1

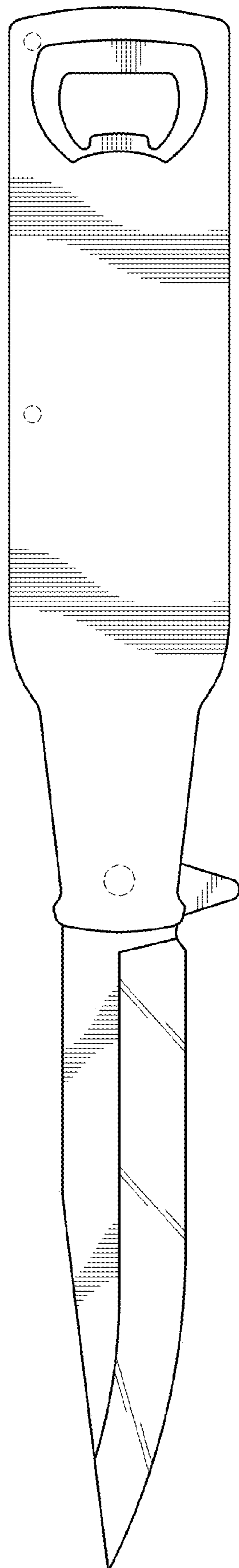


FIG. 2

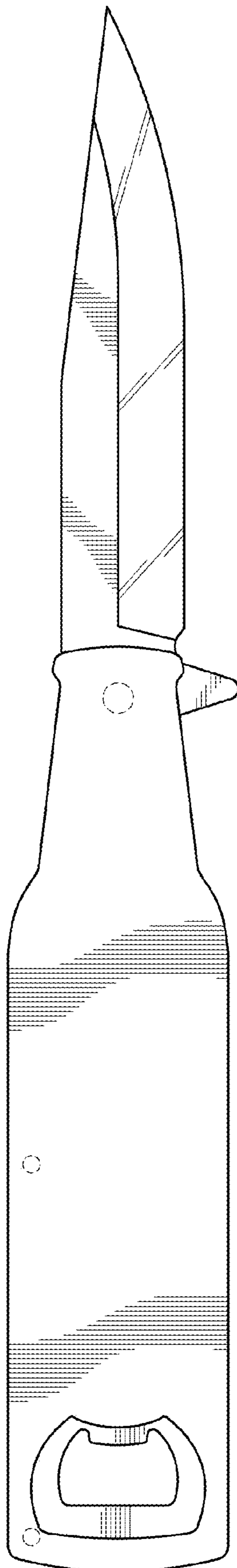
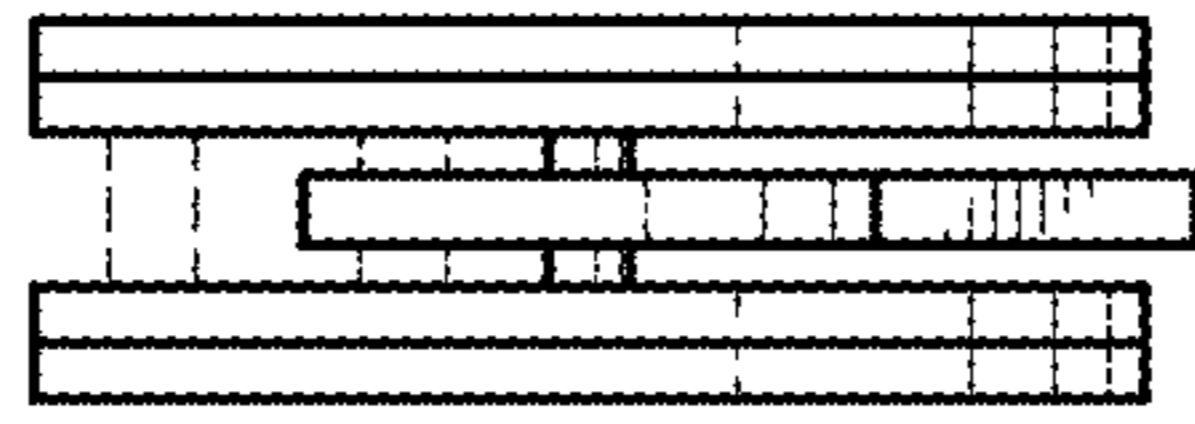
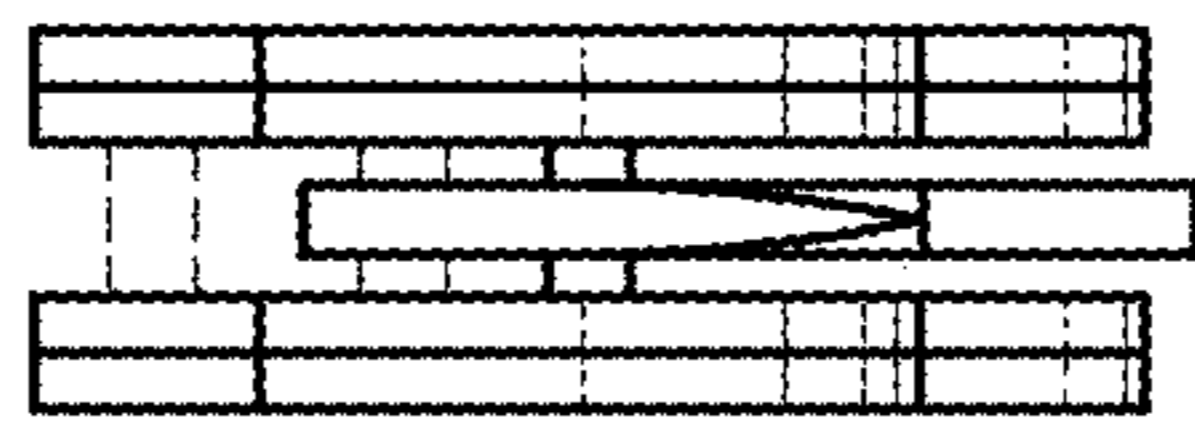


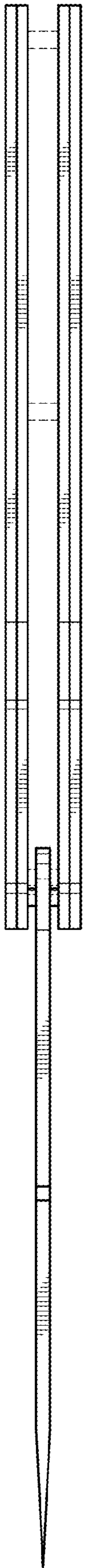
FIG. 3



*FIG. 5*



*FIG. 4*

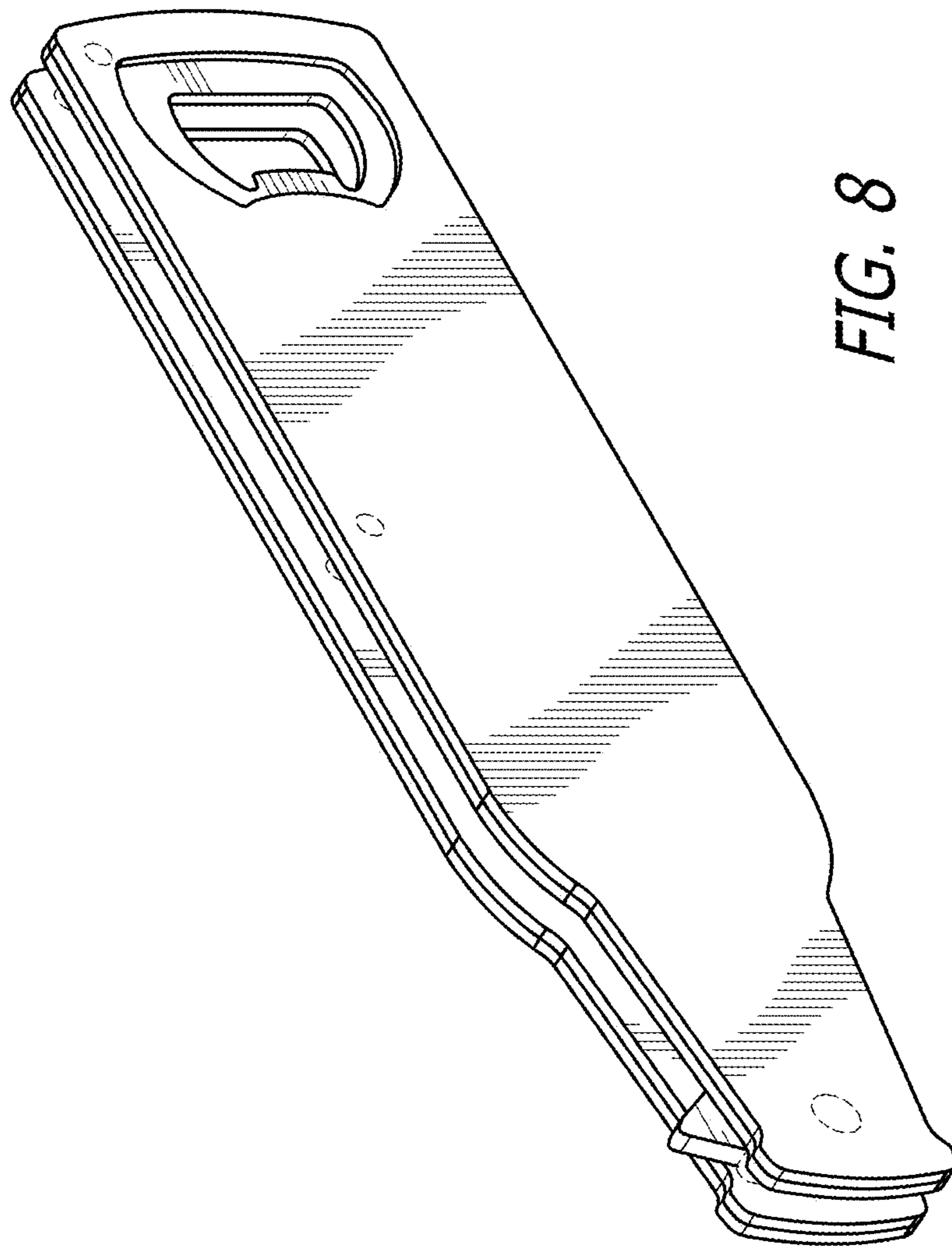


*FIG. 6*



*FIG. 7*





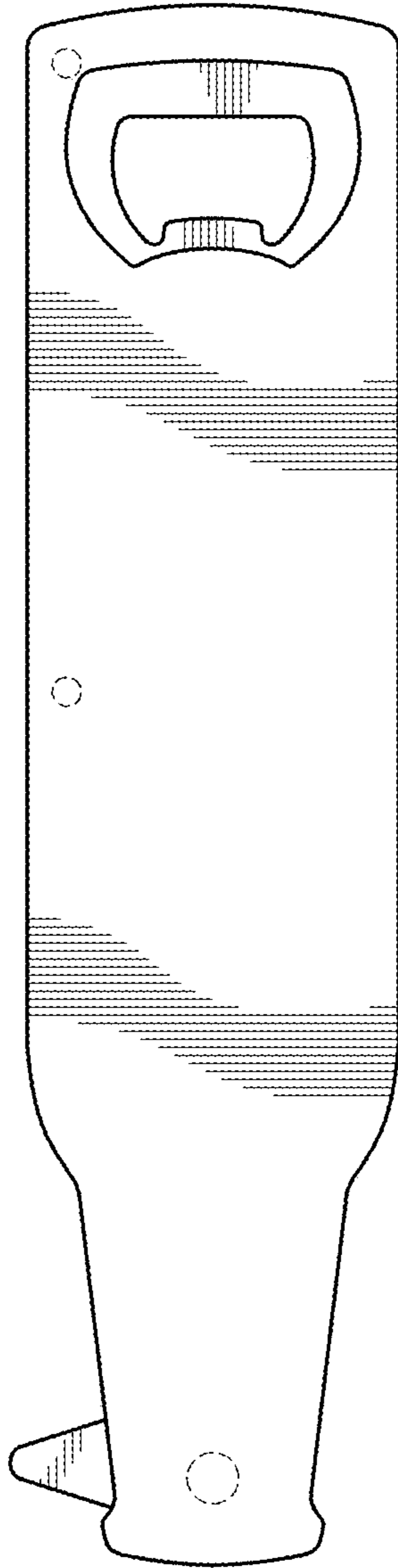


FIG. 9