



US00D966849S

(12) **United States Design Patent**
Peng

(10) **Patent No.:** **US D966,849 S**

(45) **Date of Patent:** **** Oct. 18, 2022**

(54) **SOCKET**

(71) Applicant: **Cheng-Chia Peng**, Taichung (TW)

(72) Inventor: **Cheng-Chia Peng**, Taichung (TW)

(**) Term: **15 Years**

(21) Appl. No.: **29/733,184**

(22) Filed: **Apr. 30, 2020**

(51) **LOC (13) Cl.** **08-05**

(52) **U.S. Cl.**
USPC **D8/29**

(58) **Field of Classification Search**
USPC D8/25, 29
CPC B25B 13/06; B25B 13/065; B25B 23/0035
See application file for complete search history.

(56) **References Cited**

U.S. PATENT DOCUMENTS

- 2,961,905 A * 11/1960 Stumpf B25B 23/108
81/124.6
- D390,432 S * 2/1998 Shaffer D8/29
- D442,837 S * 5/2001 Porras D8/29

(Continued)

OTHER PUBLICATIONS

"1/2" Helical Sockets for Damaged Nuts—ARS-Store." ARS Store, Accessed Mar. 2, 2022. URL:<www.ars-store.com/en/308462a/1-2-helical-sockets-for-damaged-nuts.html> (Year: 2022).*

(Continued)

Primary Examiner — Rachel A. Voorhies
Assistant Examiner — Benjamin D. Wannemacher

(74) *Attorney, Agent, or Firm* — Alan D. Kamrath; Karin L. Williams; Mayer & Williams PC

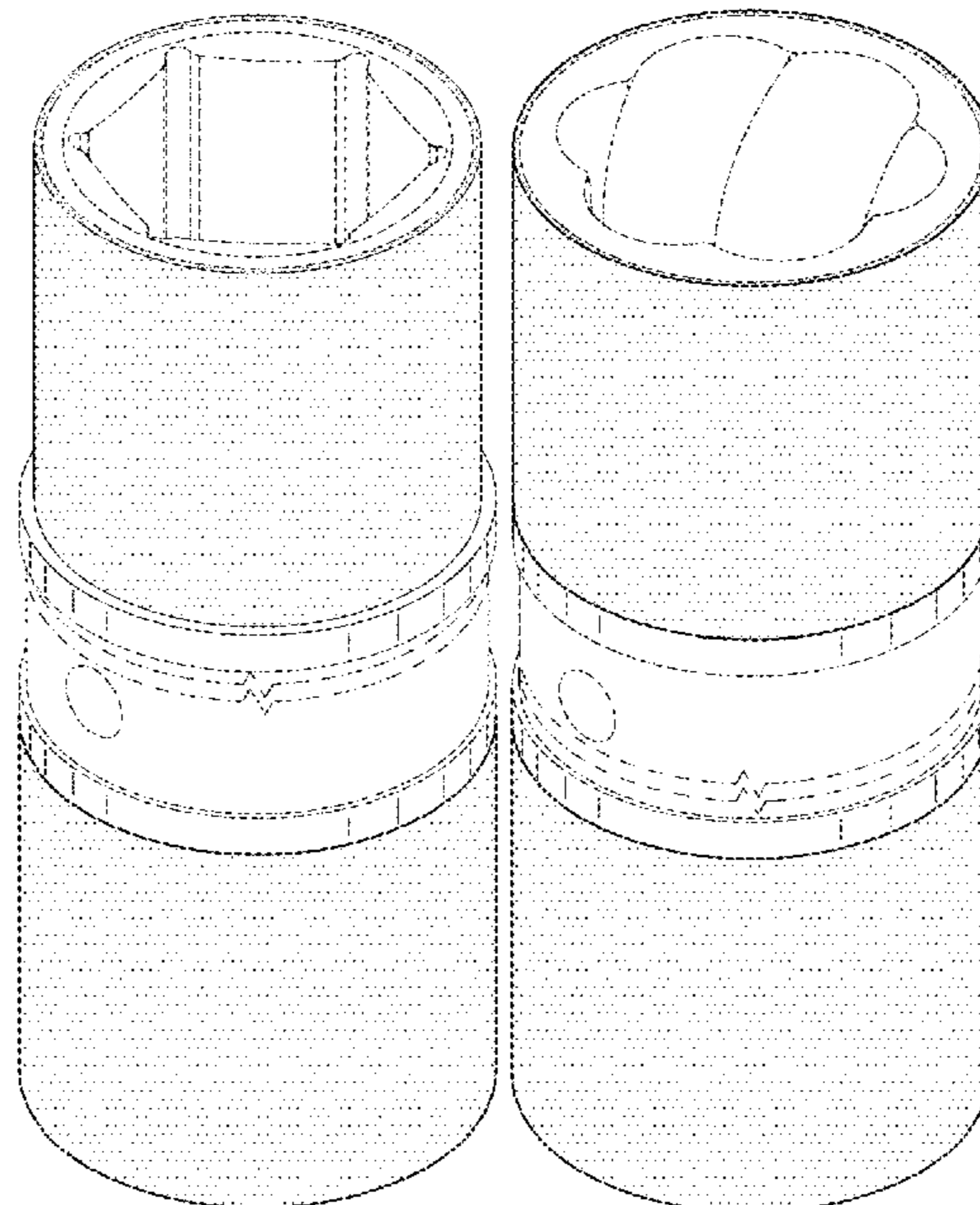
(57) **CLAIM**

The ornamental design for a socket, as shown and described.

DESCRIPTION

FIG. 1 is a top perspective view of a first embodiment of a socket showing my new design;
 FIG. 2 is a bottom perspective view of the embodiment shown in FIG. 1;
 FIG. 3 is a front view of the embodiment shown in FIG. 1;
 FIG. 4 is a rear view of the embodiment shown in FIG. 1;
 FIG. 5 is a left view of the embodiment shown in FIG. 1;
 FIG. 6 is a right view of the embodiment shown in FIG. 1;
 FIG. 7 is a top view of the embodiment shown in FIG. 1;
 and,
 FIG. 8 is a bottom view of the embodiment shown in FIG. 1.
 FIG. 9 is a top perspective view of a second embodiment of the socket showing my new design;
 FIG. 10 is a bottom perspective view of the embodiment shown in FIG. 9;
 FIG. 11 is a front view of the embodiment shown in FIG. 9;
 FIG. 12 is a rear view of the embodiment shown in FIG. 9;
 FIG. 13 is a left view of the embodiment shown in FIG. 9;
 FIG. 14 is a right view of the embodiment shown in FIG. 9;
 FIG. 15 is a top view of the embodiment shown in FIG. 9;
 and,
 FIG. 16 is a bottom view of the embodiment shown in FIG. 9.
 The dash-dash lines in the drawings depict features that form no part of the claimed design. The stipple shading illustrates surfaces contrast in materials. The dash-dot lines indicate a symbolic break. The portion between the break lines forms no part of the claimed design.

1 Claim, 14 Drawing Sheets



(56)

References Cited

U.S. PATENT DOCUMENTS

D475,589	S *	6/2003	Wilkinson	D8/29
D484,768	S *	1/2004	Warfel	D8/86
D497,295	S *	10/2004	McKnight	D8/29
D510,847	S *	10/2005	McKnight	D8/29
D526,547	S *	8/2006	Houpe	D8/29
D542,106	S *	5/2007	Alsobrook	D8/29
D649,417	S *	11/2011	Gresham	D8/29
2015/0040729	A1 *	2/2015	Ou	B25B 13/06
					81/121.1
2020/0139522	A1 *	5/2020	Chiang	B25B 13/06
2020/0198102	A1 *	6/2020	Wu	B25B 13/065

OTHER PUBLICATIONS

“Spiral Socket Set ¼”& ½”, 15-Pcs.” Sonic Equipment, Accessed Mar. 2, 2022. URL:<sonic-equipment.com/en/products/discount-products/spiral-socket-set-1-4-1-2-15-pcs> (Year: 2022).*

* cited by examiner

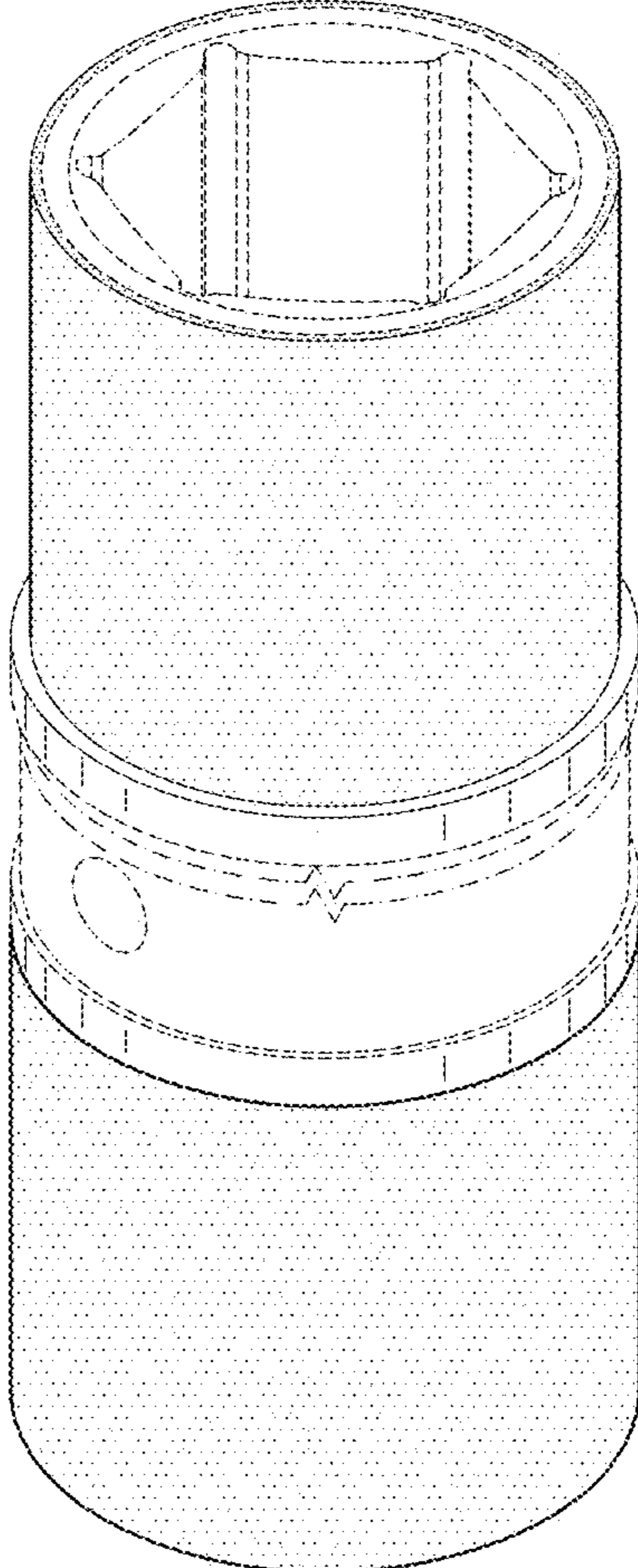


FIG. 1

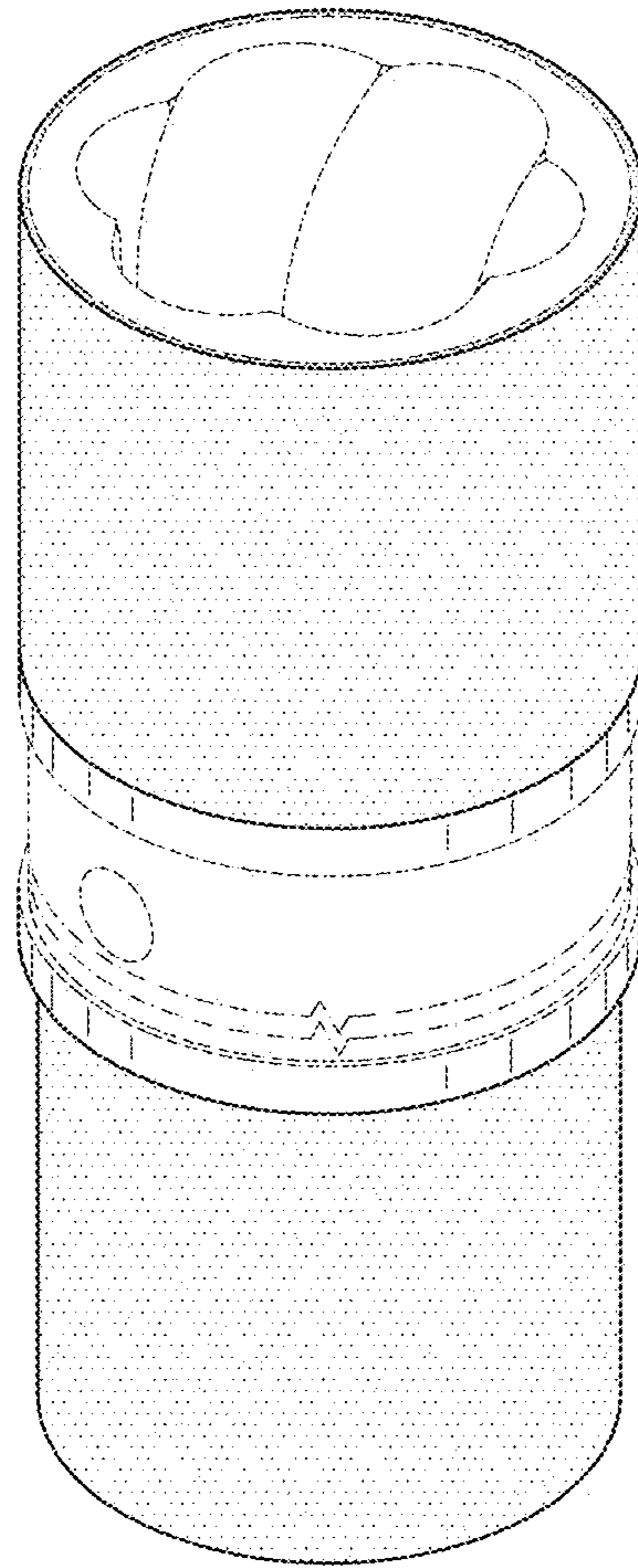


FIG. 2

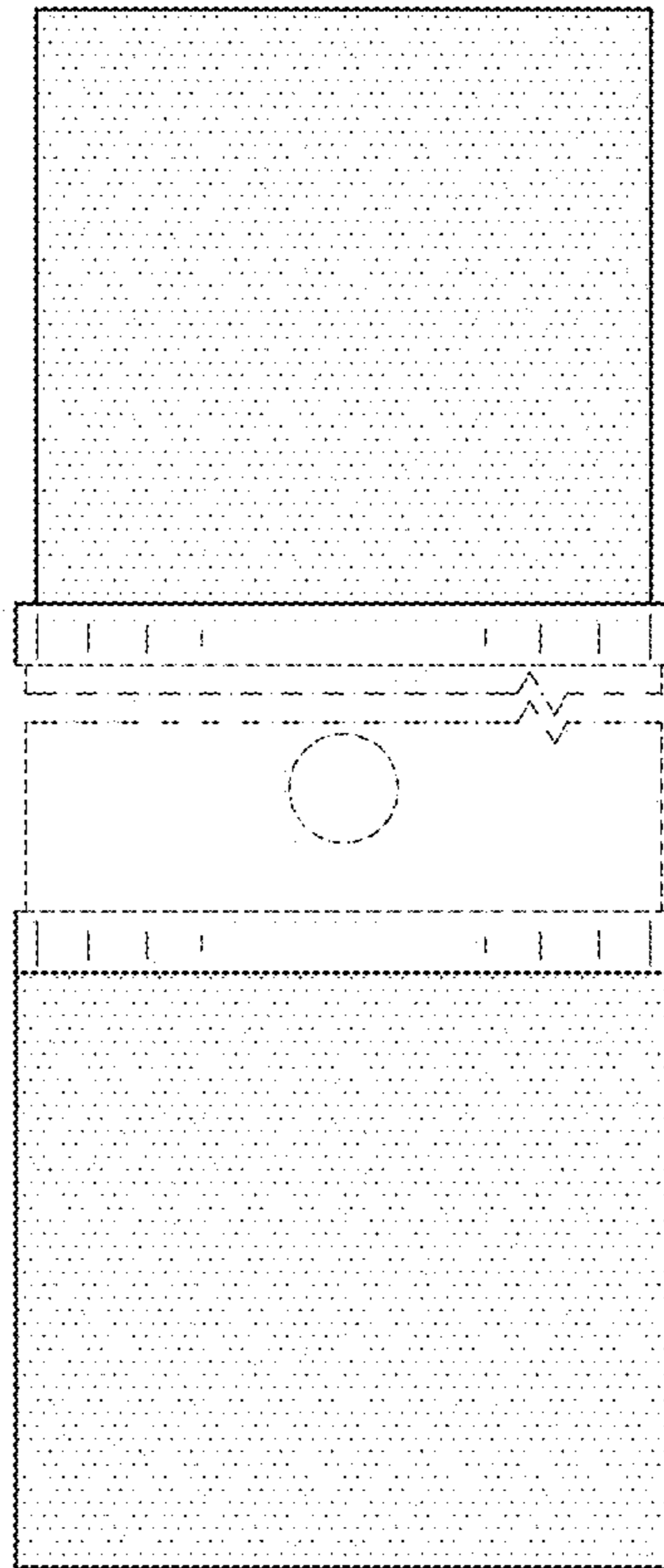


FIG. 3

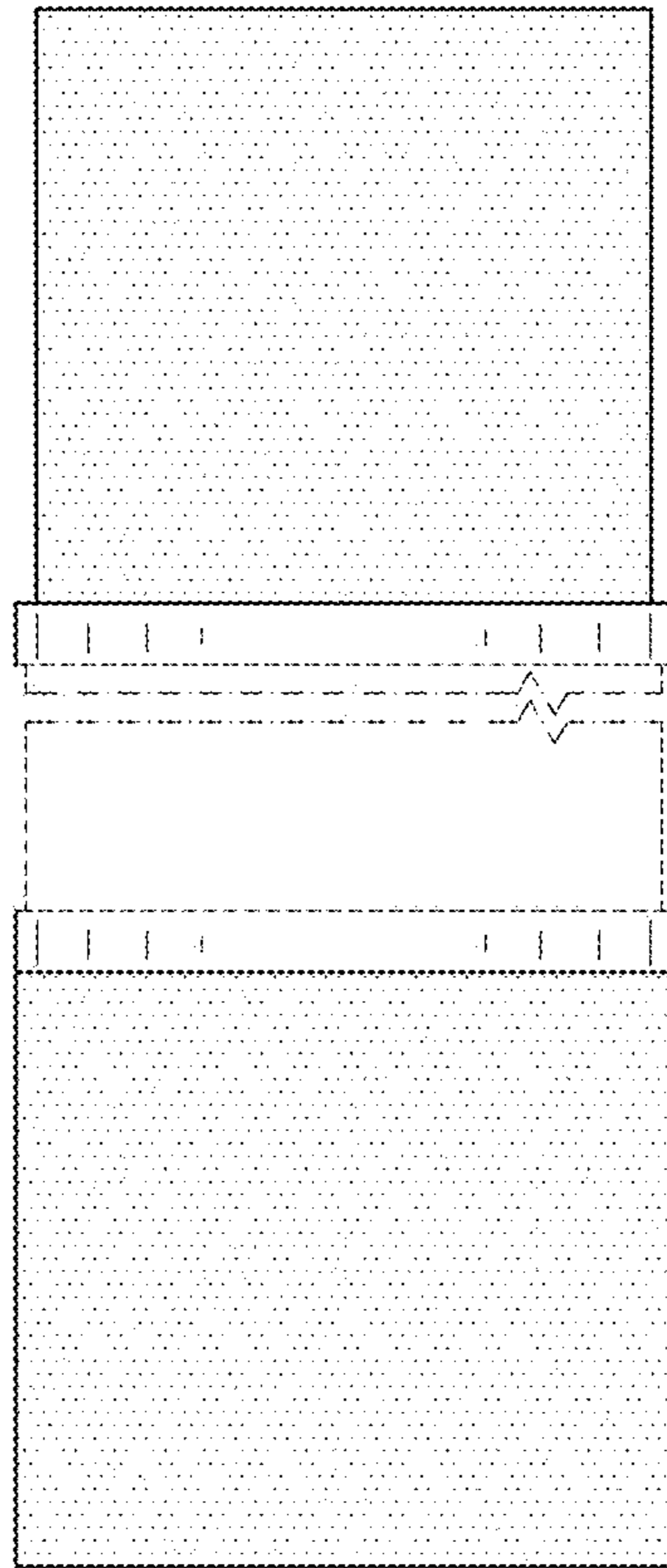


FIG. 4

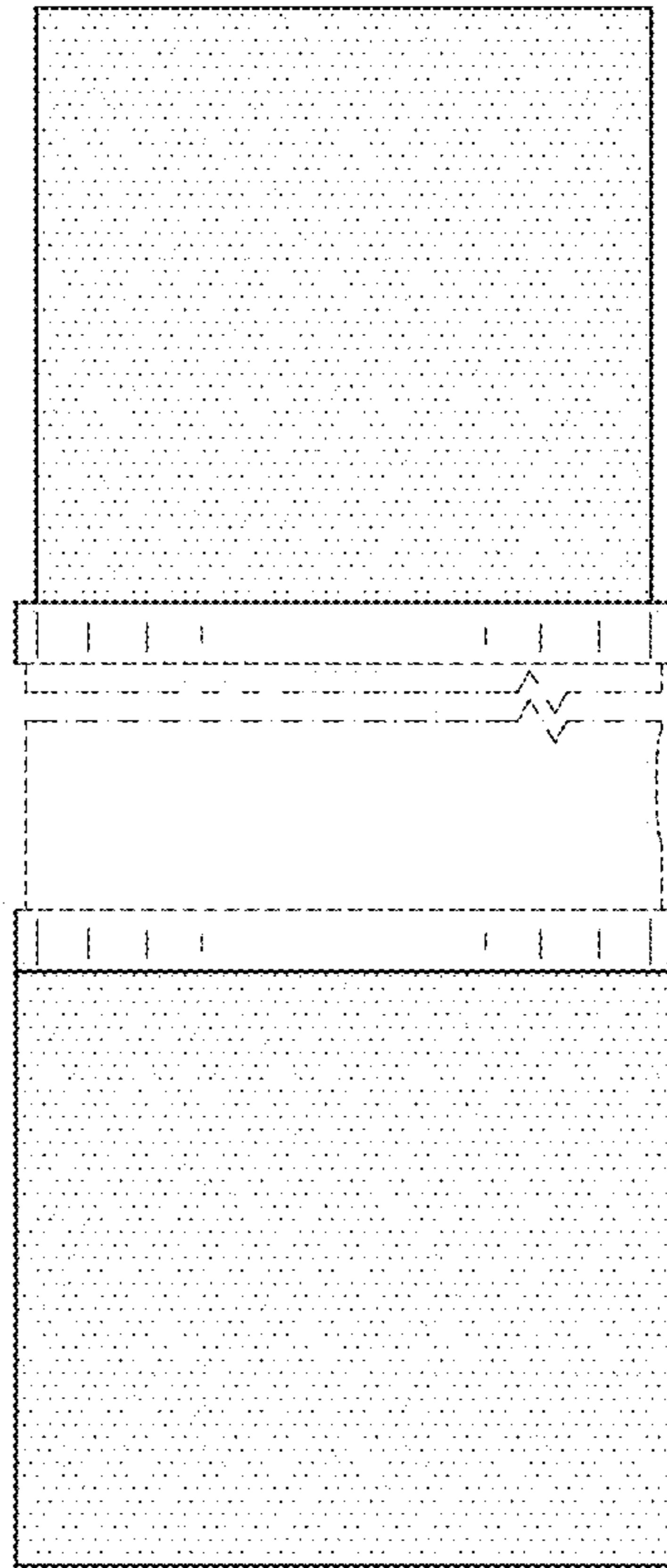


FIG. 5

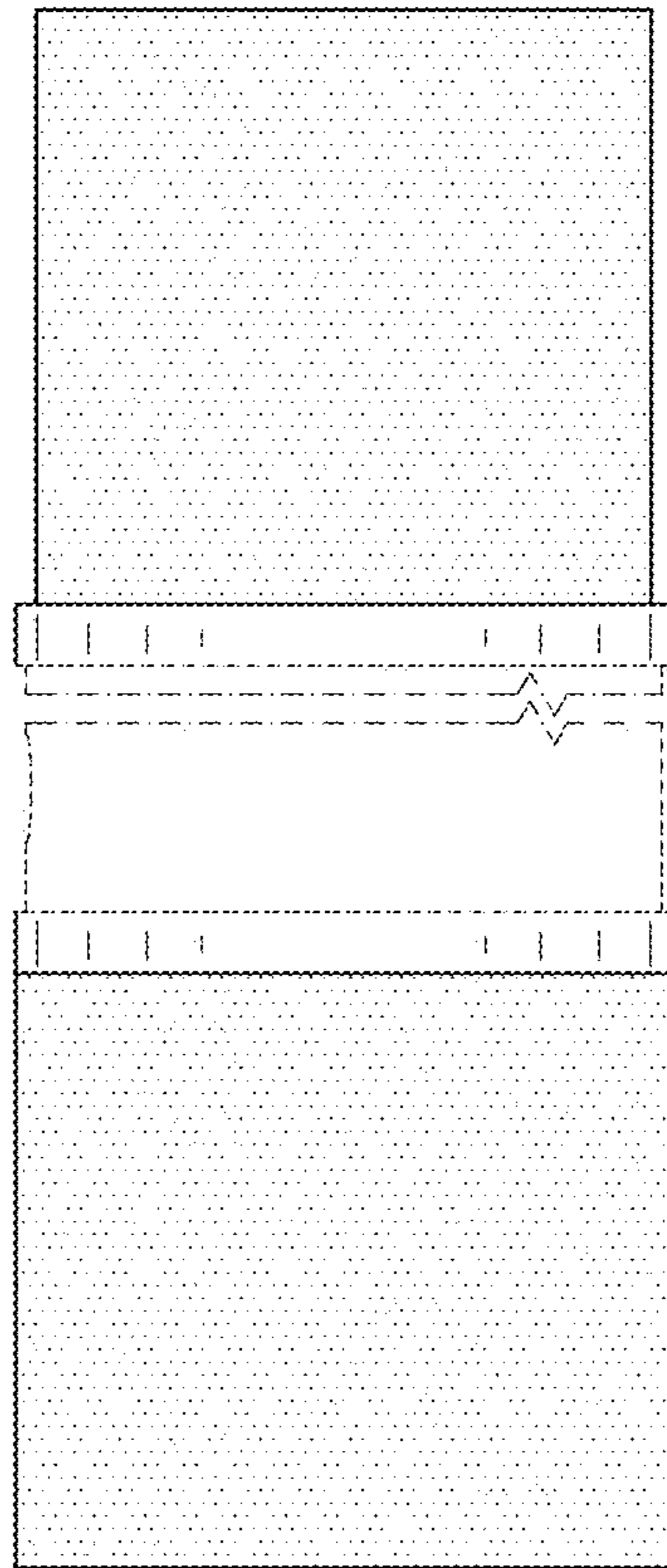


FIG. 6

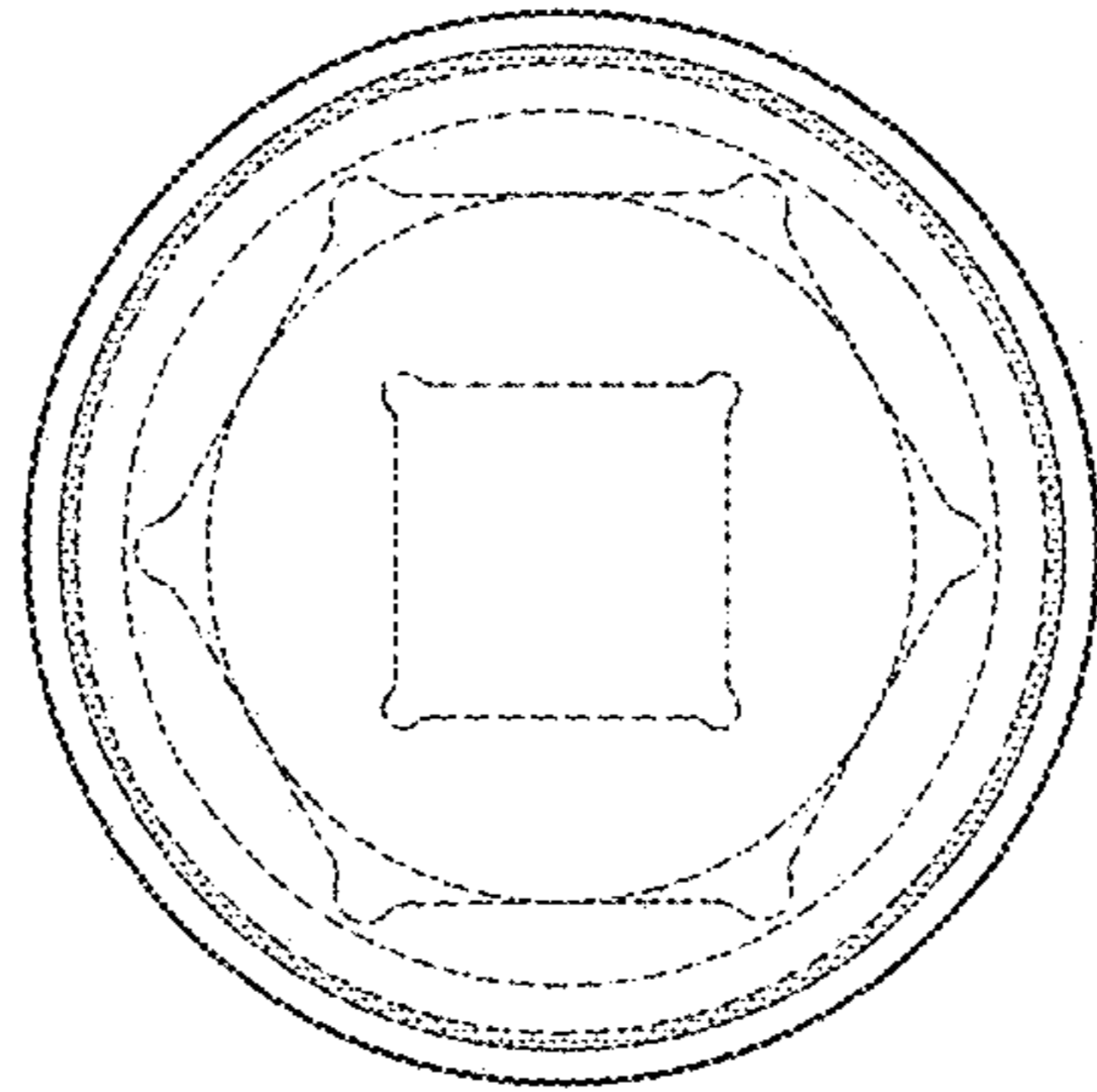


FIG. 7

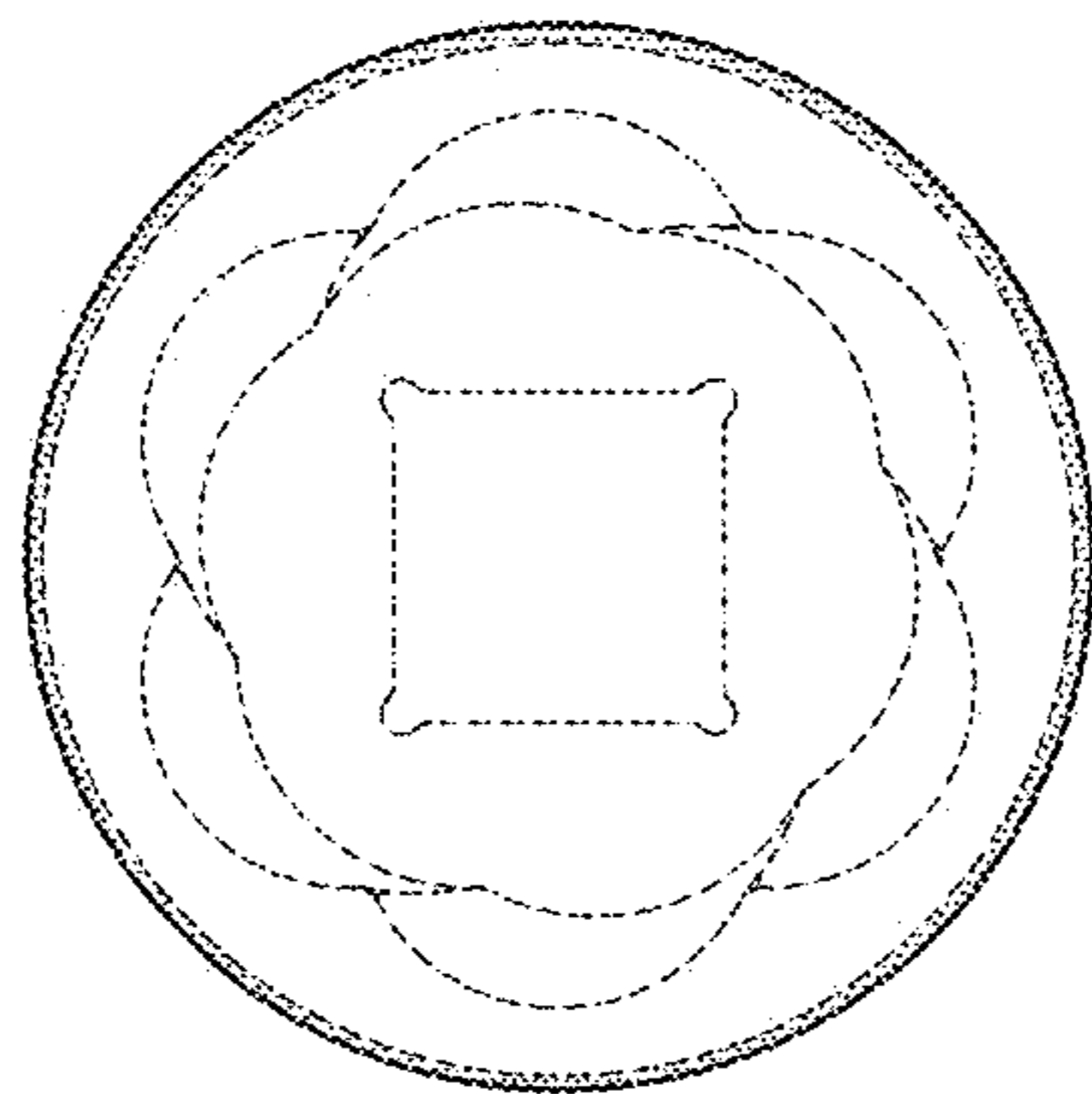


FIG. 8

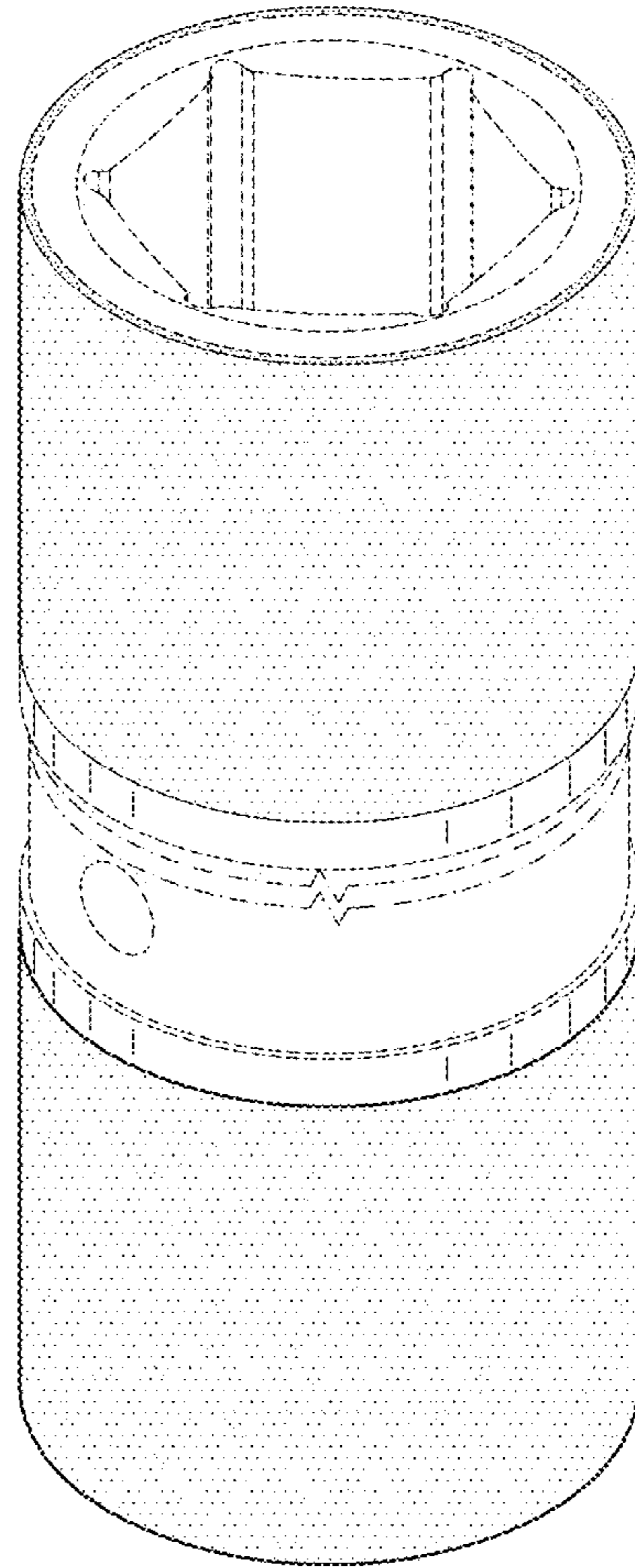


FIG. 9

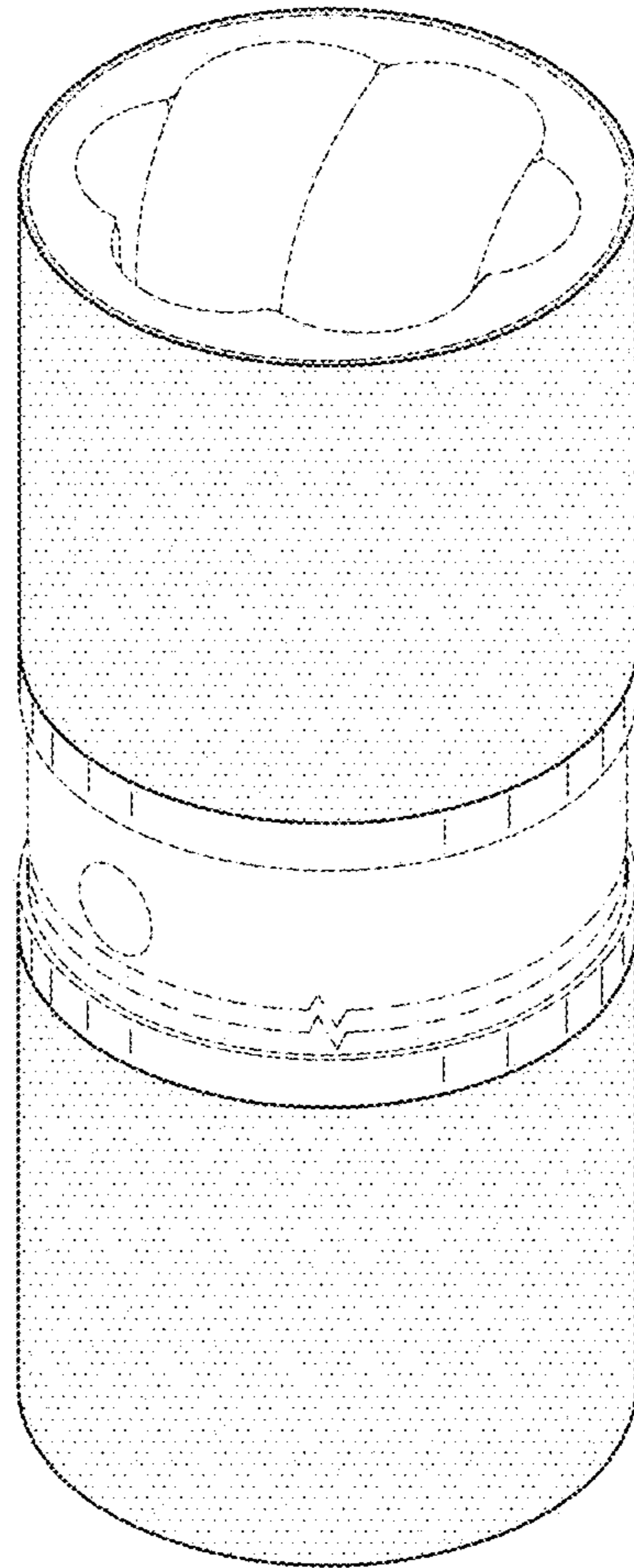


FIG. 10

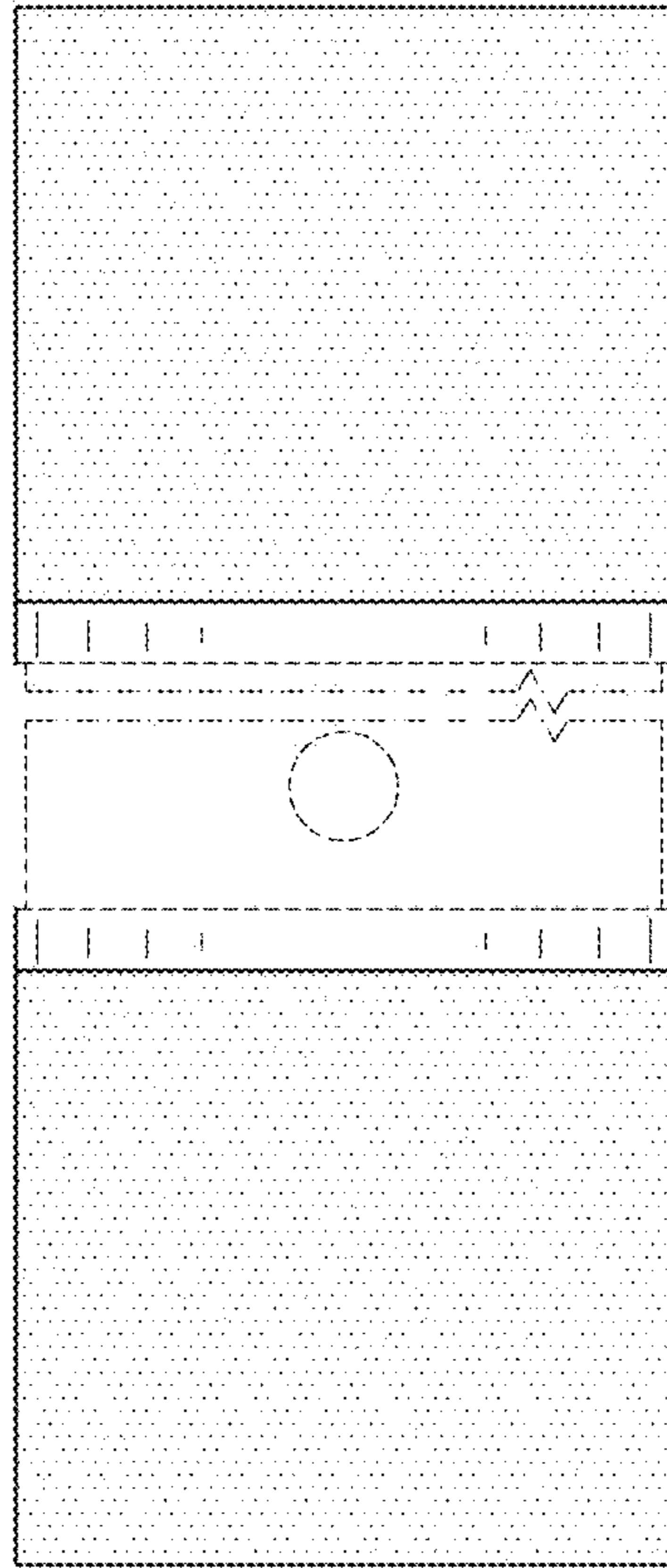


FIG. 11

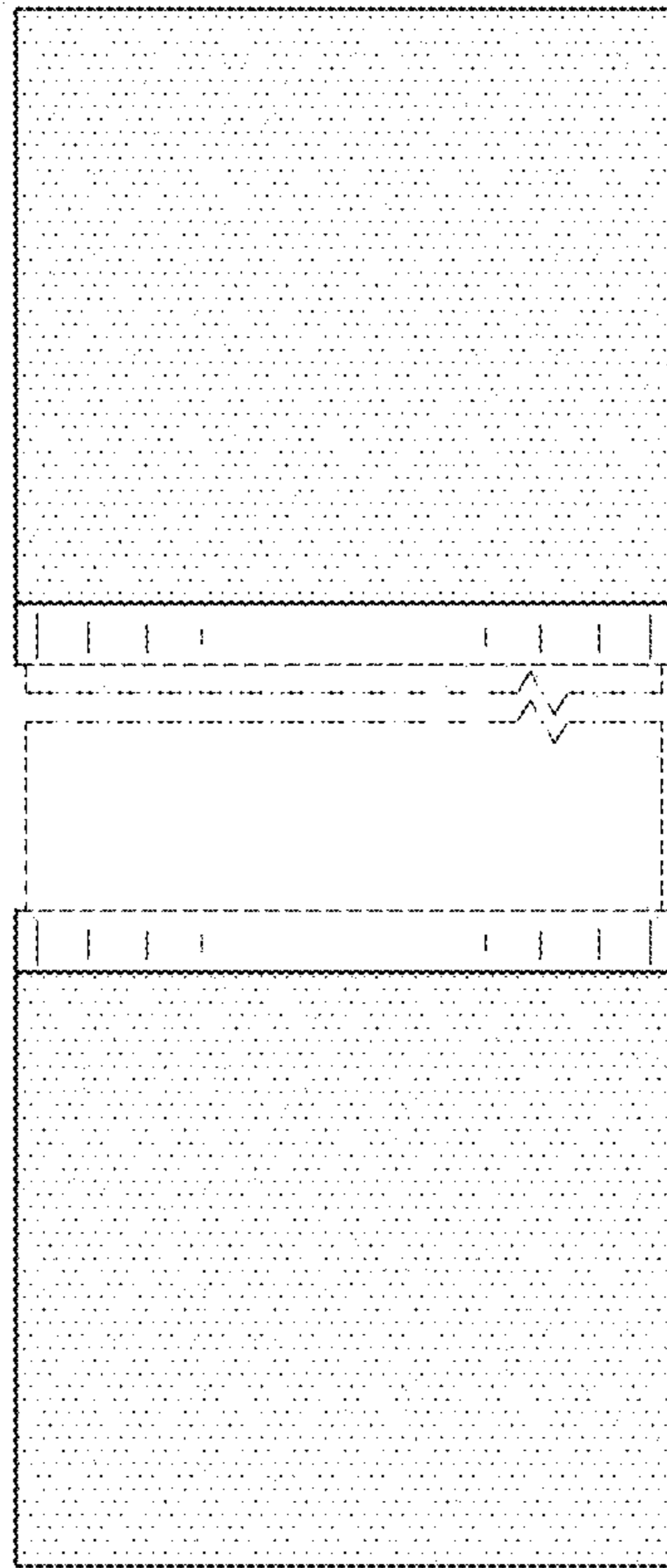


FIG. 12

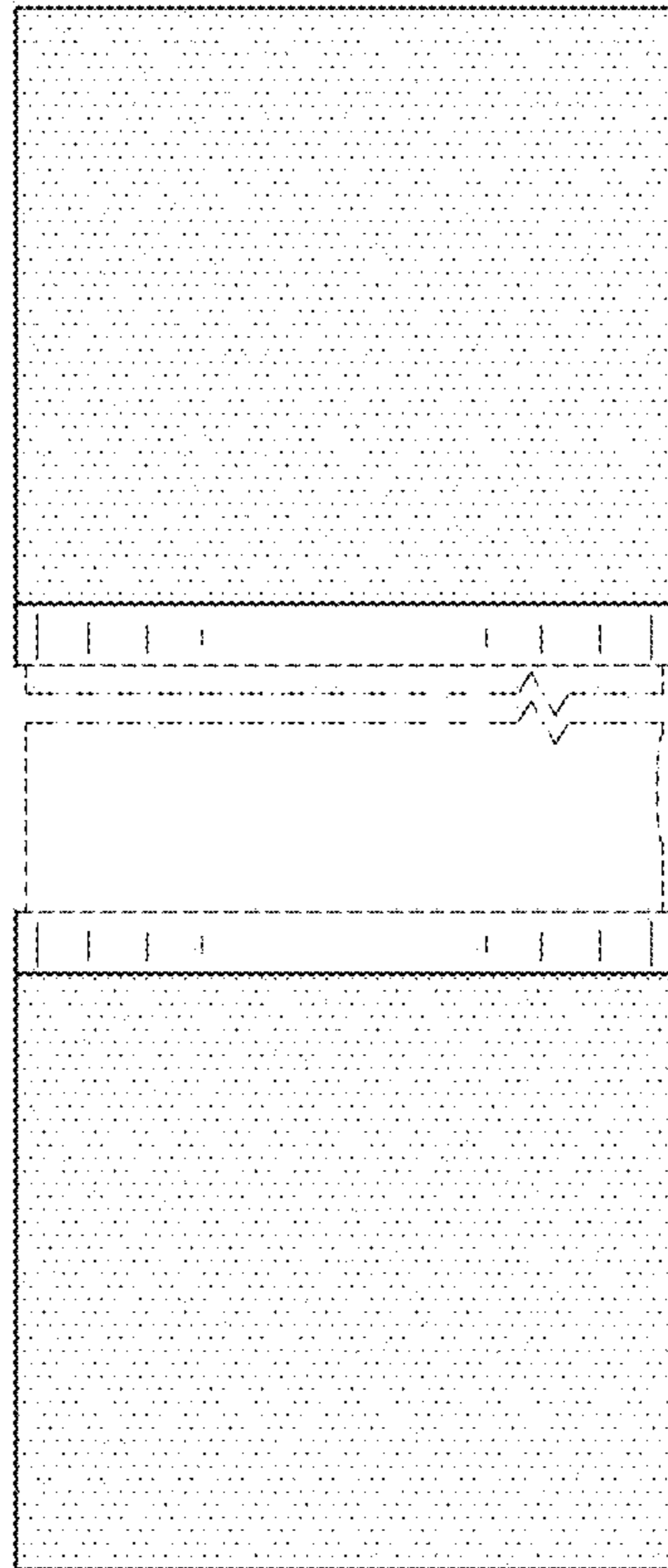


FIG. 13

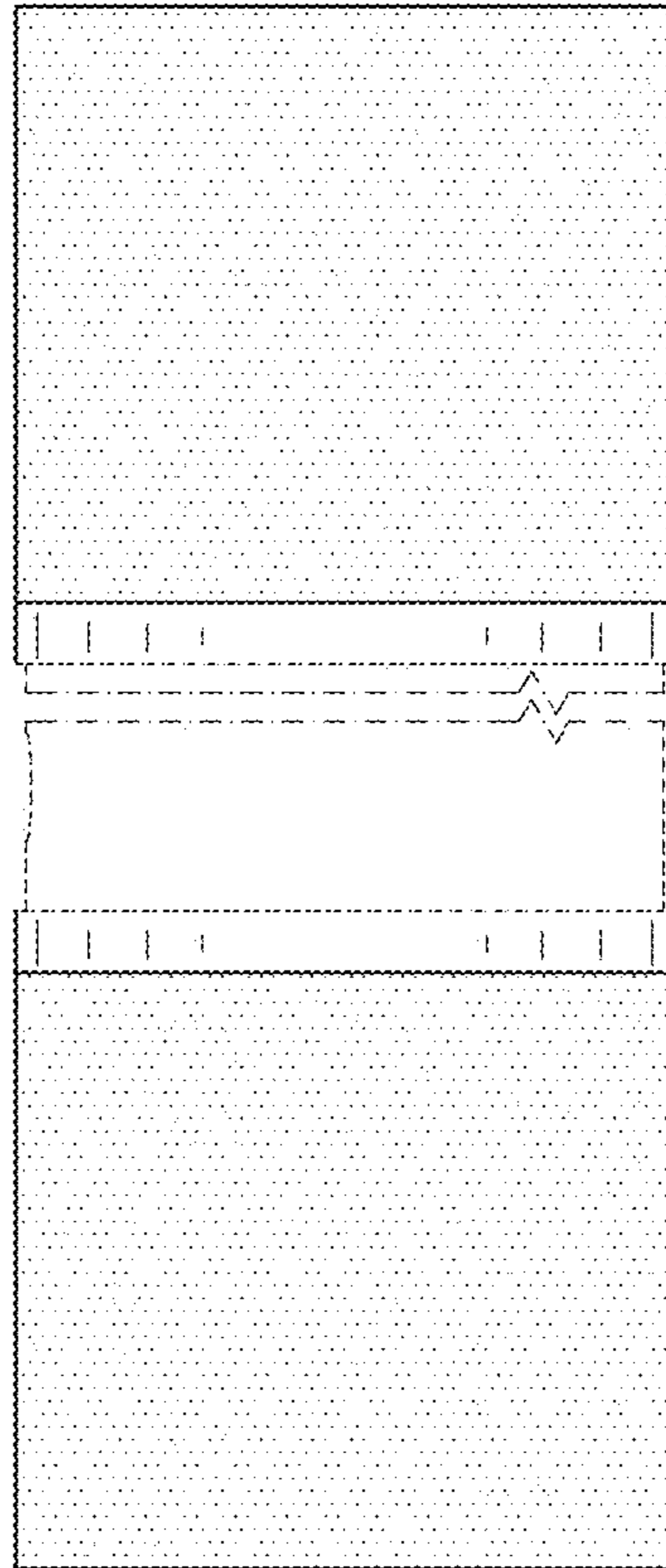


FIG. 14

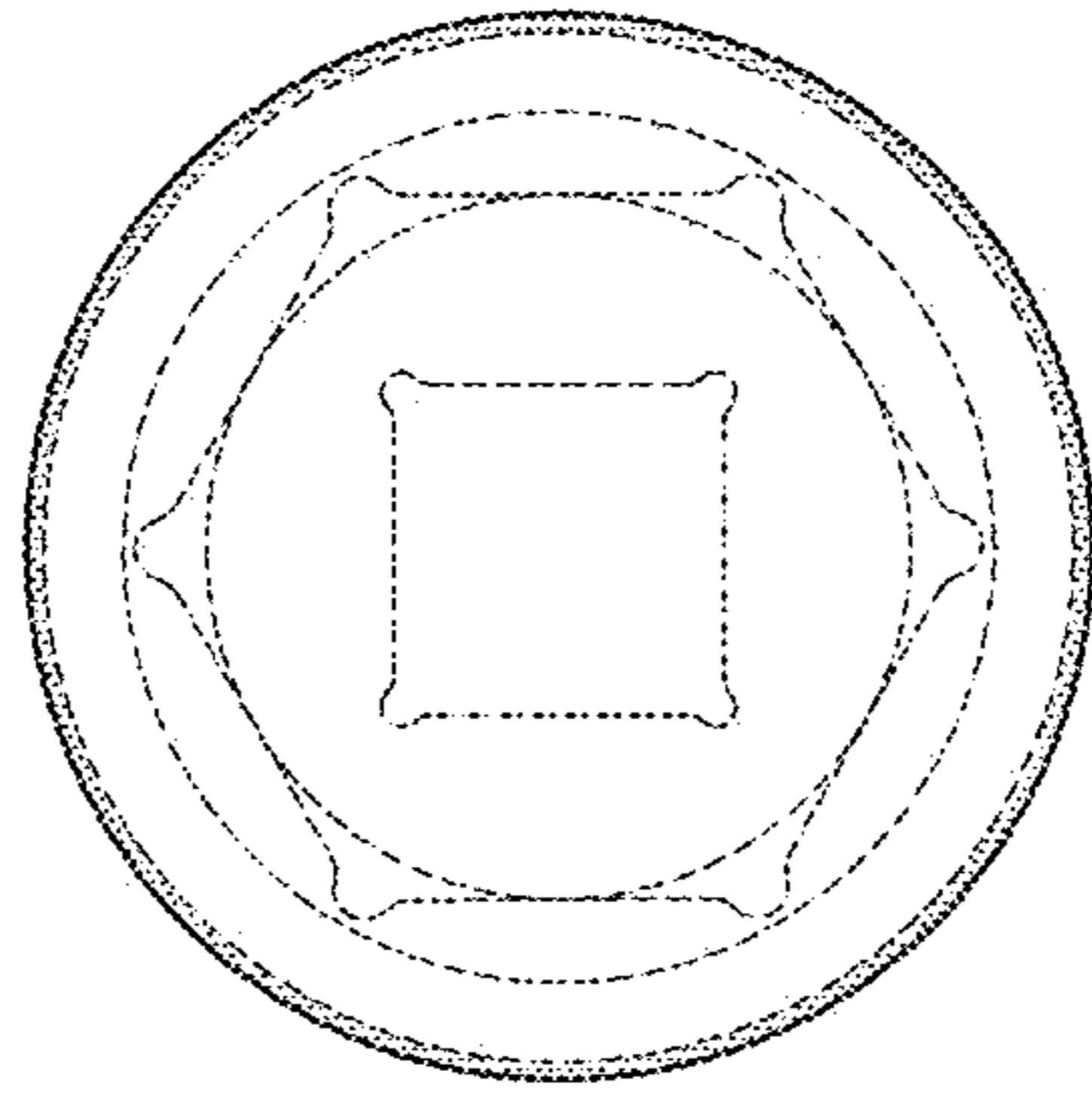


FIG. 15

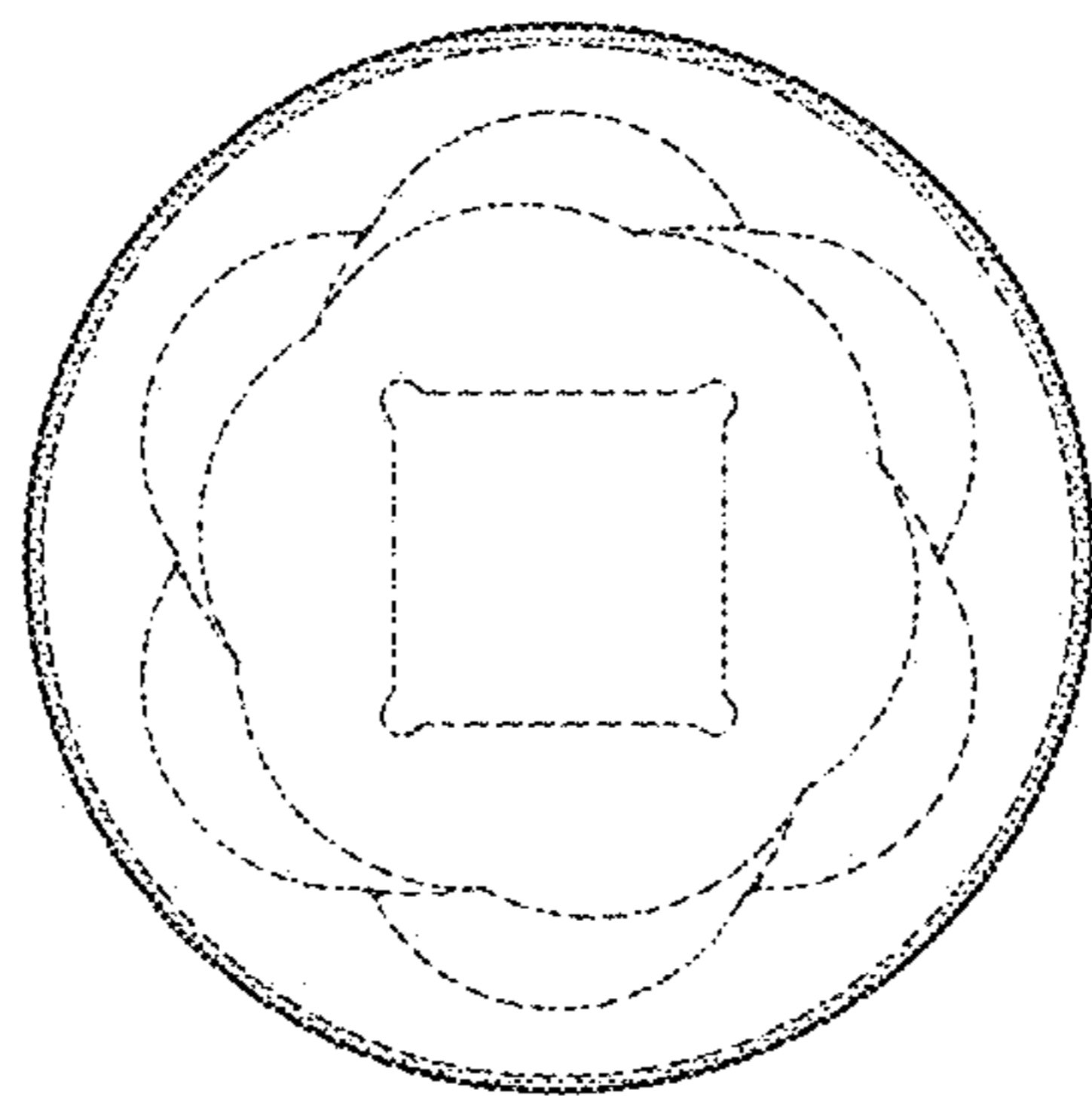


FIG. 16