

US00D966848S

(12) **United States Design Patent**  
**Tsai et al.**

(10) **Patent No.:** **US D966,848 S**  
(45) **Date of Patent:** **\*\* Oct. 18, 2022**

- (54) **TOOL FOR SKATEBOARDS**
- (71) Applicant: **Wen-Tang Tsai**, Taichung (TW)
- (72) Inventors: **Wen-Tang Tsai**, Taichung (TW); **Mark Groenhuyzen**, Huntington Beach, CA (US)
- (73) Assignee: **Wen-Tang Tsai**, Taichung (TW)
- (\*\*) Term: **15 Years**
- (21) Appl. No.: **29/803,129**
- (22) Filed: **Aug. 10, 2021**
- (51) **LOC (13) Cl.** ..... **08-05**
- (52) **U.S. Cl.**  
USPC ..... **D8/28**; D8/26
- (58) **Field of Classification Search**  
USPC ..... D8/14, 21, 24-27, 29, 51, 59, 107;  
D24/133, 147; 81/57.13, 57.39, 60  
CPC ..... B25B 21/004; B25B 13/46; B25B 13/463  
See application file for complete search history.

- 4,328,720 A \* 5/1982 Shiel ..... B25B 13/56  
81/177.85
- D316,216 S \* 4/1991 Gierke ..... D8/61
- D352,645 S \* 11/1994 Ichikawa ..... D8/61
- 6,186,030 B1 \* 2/2001 Whitley ..... B25B 13/465  
81/58.3
- 6,279,434 B1 \* 8/2001 Brown ..... B25B 13/48  
81/439

(Continued)

**OTHER PUBLICATIONS**

“Mark Heineken on Starting Prime8, The Functional & Durable Skate Tool Brand”; BoardsportSource.com; Sep. 2, 2021; accessed May 4, 2022; URL:< <https://www.boardsportsource.com/2021/09/02/mark-heineken-on-starting-prime8-functional-durable-skate-tool-brand/> > (Year: 2021).\*

*Primary Examiner* — Rachel A. Voorhies  
*Assistant Examiner* — Benjamin D. Wannemacher

(57) **CLAIM**

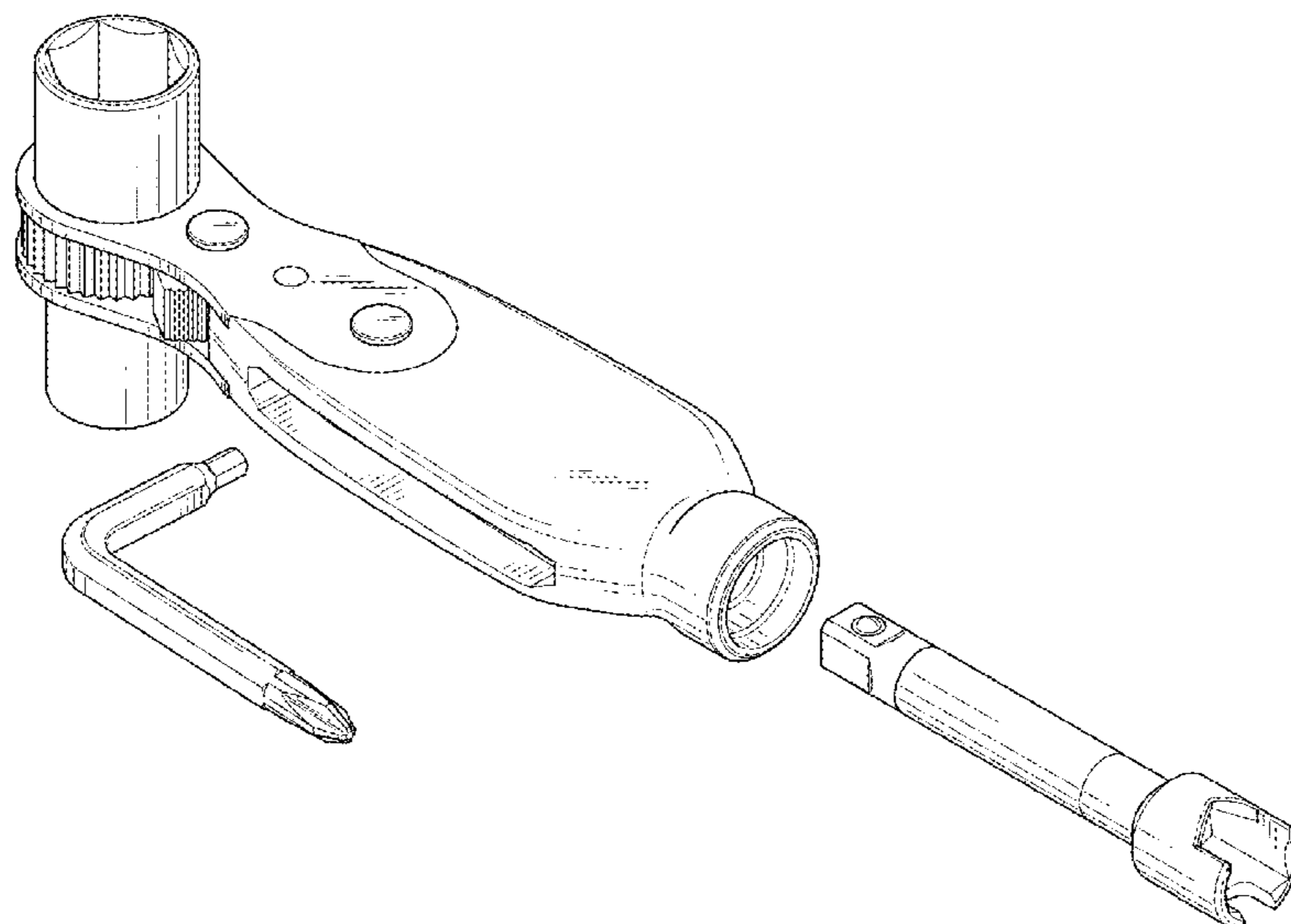
The ornamental design for a tool for skateboards, as shown and described.

**DESCRIPTION**

FIG. 1 is a perspective view of a tool for skateboards showing our new design;  
FIG. 2 is a front view thereof;  
FIG. 3 is a rear view thereof;  
FIG. 4 is a left view thereof;  
FIG. 5 is a right view thereof;  
FIG. 6 is a top view thereof;  
FIG. 7 is a bottom view thereof;  
FIG. 8 is an exploded perspective view thereof; and,  
FIG. 9 is a perspective view of the tool for skateboards in use.  
The broken lines are for the purpose of illustrating portions of the tool for skateboards and form no part of the claimed design.

**1 Claim, 8 Drawing Sheets**

- (56) **References Cited**  
U.S. PATENT DOCUMENTS
- 1,473,436 A \* 11/1923 Leopold ..... B25G 1/063  
81/58.3
- 1,811,137 A \* 6/1931 Kress ..... B25G 1/085  
81/177.9
- 2,028,561 A \* 1/1936 Pilger ..... B25G 1/063  
81/177.9
- D111,026 S \* 8/1938 Hosford ..... D8/DIG. 8
- 2,886,998 A \* 5/1959 Scott ..... B25B 13/08  
403/92
- 2,954,714 A \* 10/1960 Swenson ..... B25B 13/463  
173/210
- 3,732,756 A \* 5/1973 Thomasian ..... B25B 13/463  
81/62
- 4,184,552 A \* 1/1980 Anderson ..... B25B 21/02  
173/93.5
- 4,293,044 A \* 10/1981 Anderson ..... B25B 19/00  
173/93.5



(56)

**References Cited**

U.S. PATENT DOCUMENTS

6,502,483	B1 *	1/2003	Swank	.....	B25B 13/56 81/177.4
6,557,442	B1 *	5/2003	Owoc	.....	B25G 1/063 81/177.8
6,877,404	B2 *	4/2005	Chen	.....	B25G 1/063 81/177.9
6,957,600	B2 *	10/2005	Hu	.....	B25B 13/04 81/177.8
7,059,218	B1 *	6/2006	Lin	.....	B25G 1/063 81/62
7,127,766	B1 *	10/2006	Carter	.....	B25B 13/48 81/437
D551,525	S *	9/2007	Desbrunes	.....	B25B 13/56 81/177.5
D559,054	S *	1/2008	Tuan Mu	.....	D8/14
D580,721	S *	11/2008	Chen	.....	B25B 13/56 81/177.4
D622,561	S *	8/2010	Brown, III	.....	B25B 13/48 D8/14
D654,337	S *	2/2012	Huang	.....	D8/14
D658,460	S *	5/2012	Wang	.....	B25B 13/48 81/437
D725,977	S *	4/2015	Tsai	.....	D8/14
D804,274	S *	12/2017	Tsai	.....	D8/105
2004/0139826	A1 *	7/2004	Hsien	.....	B25B 13/463 81/63.2
2007/0131062	A1 *	6/2007	Burwell	.....	B25G 1/085 81/60
2007/0131066	A1 *	6/2007	Burwell	.....	B25B 13/56 81/177.5

\* cited by examiner

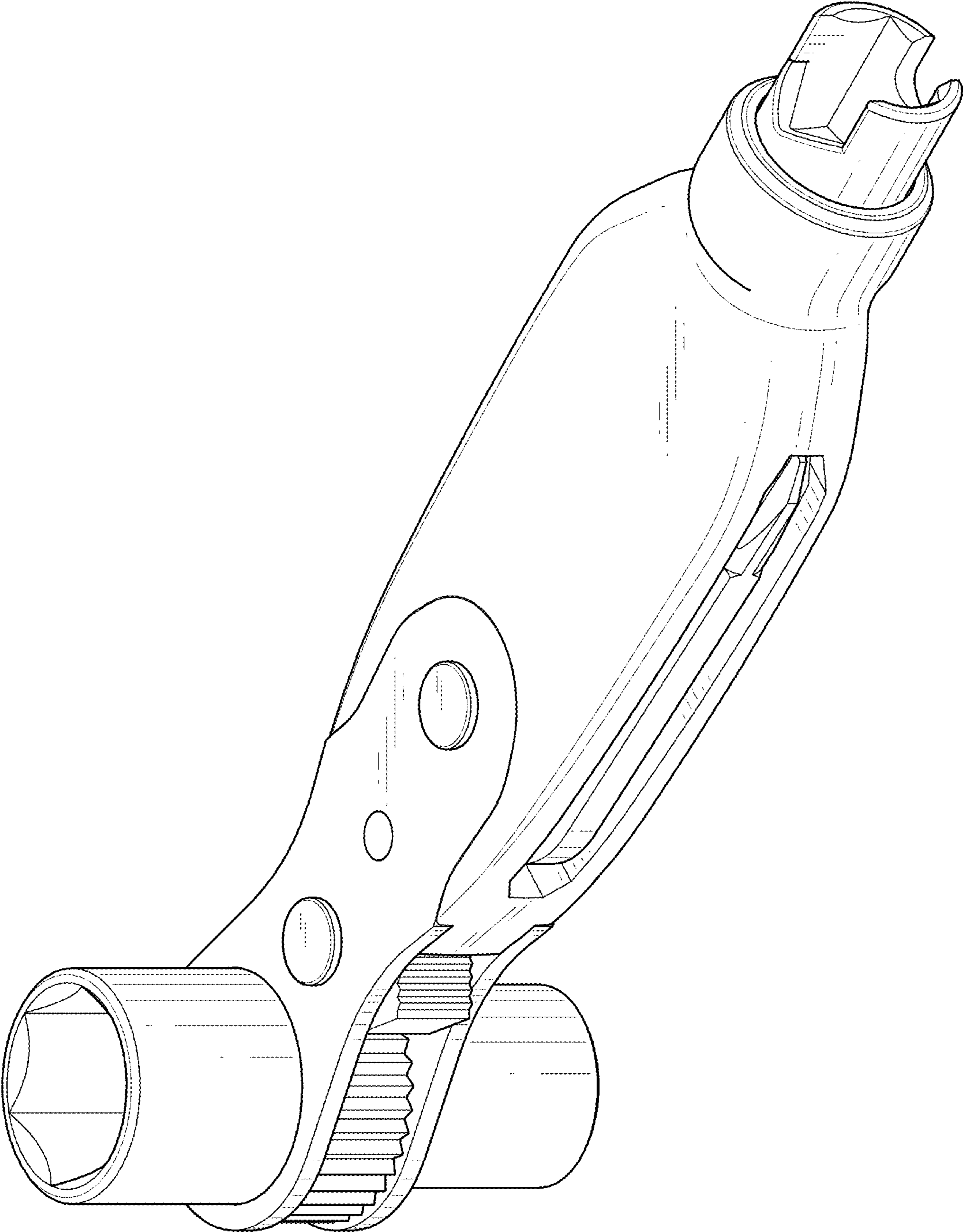


FIG. 1

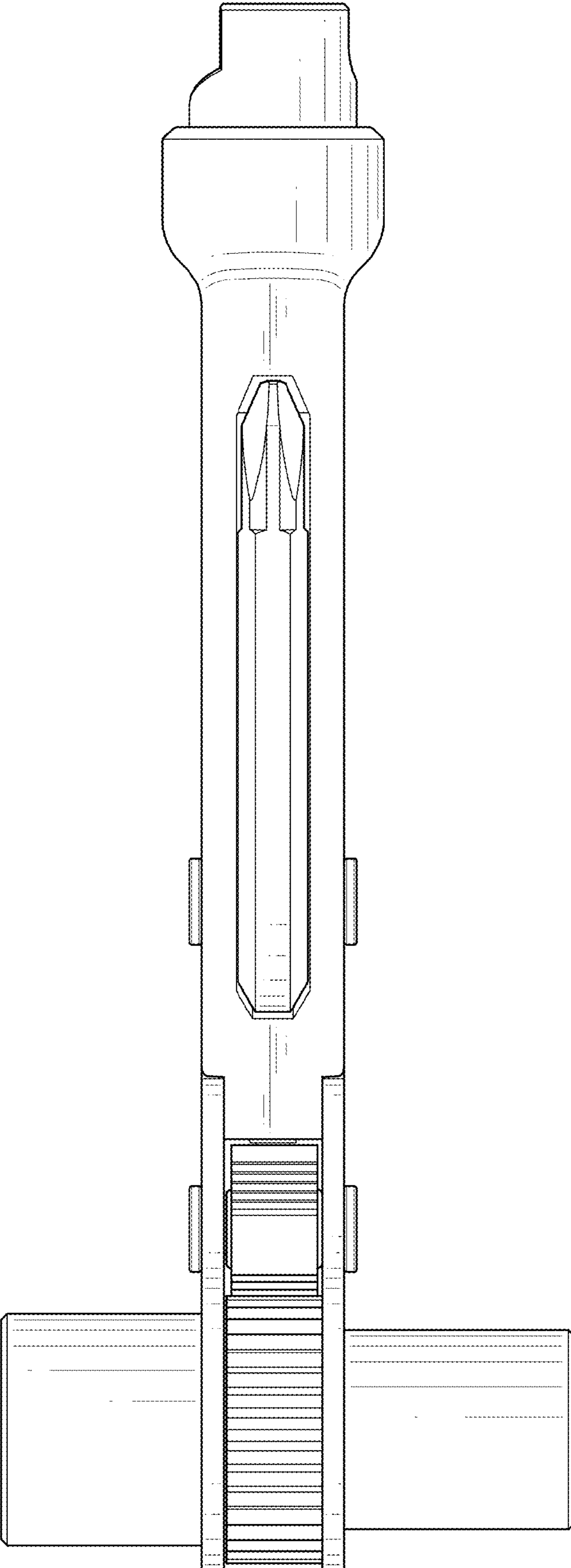


FIG. 2

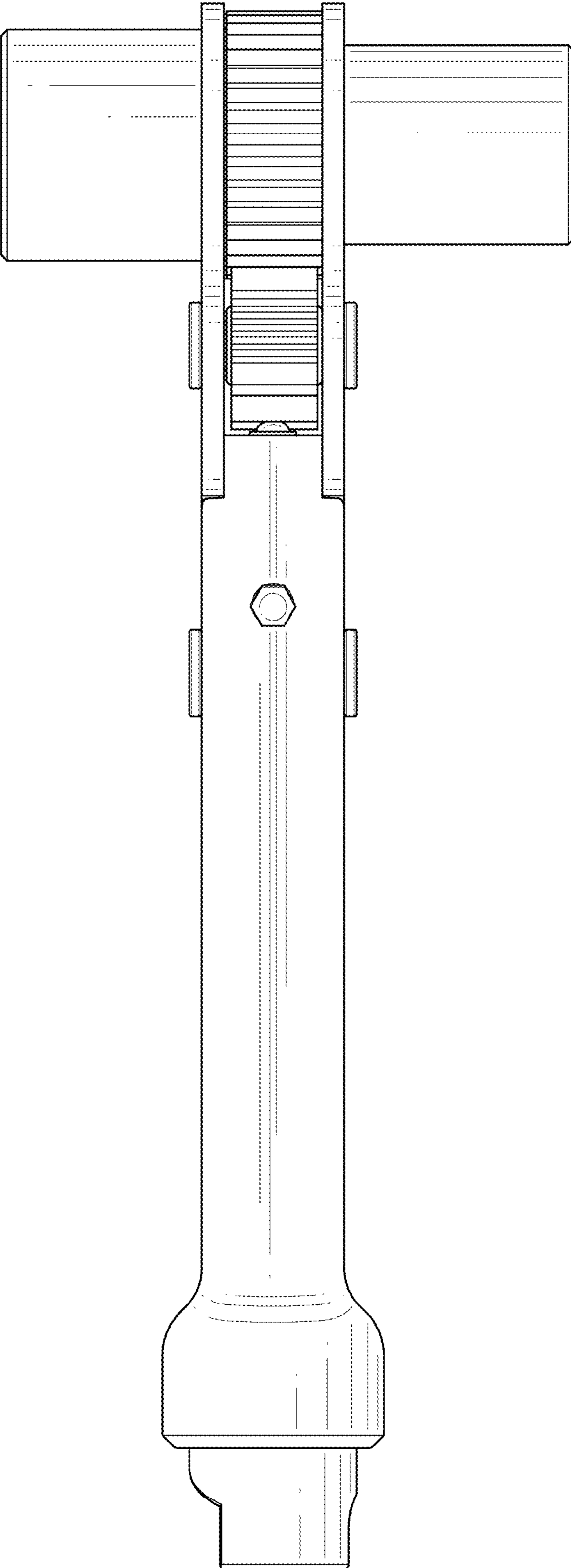


FIG. 3

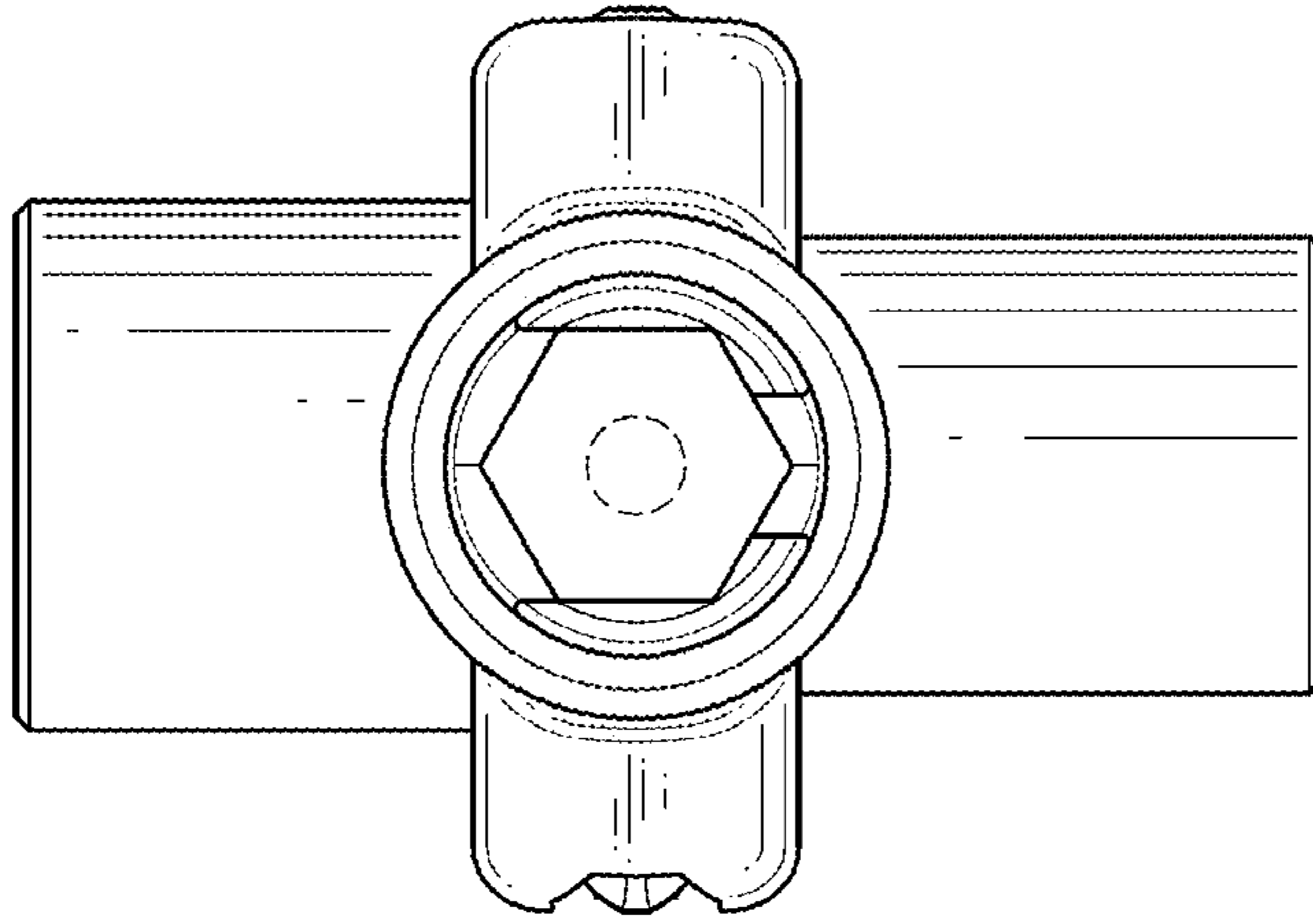


FIG. 5

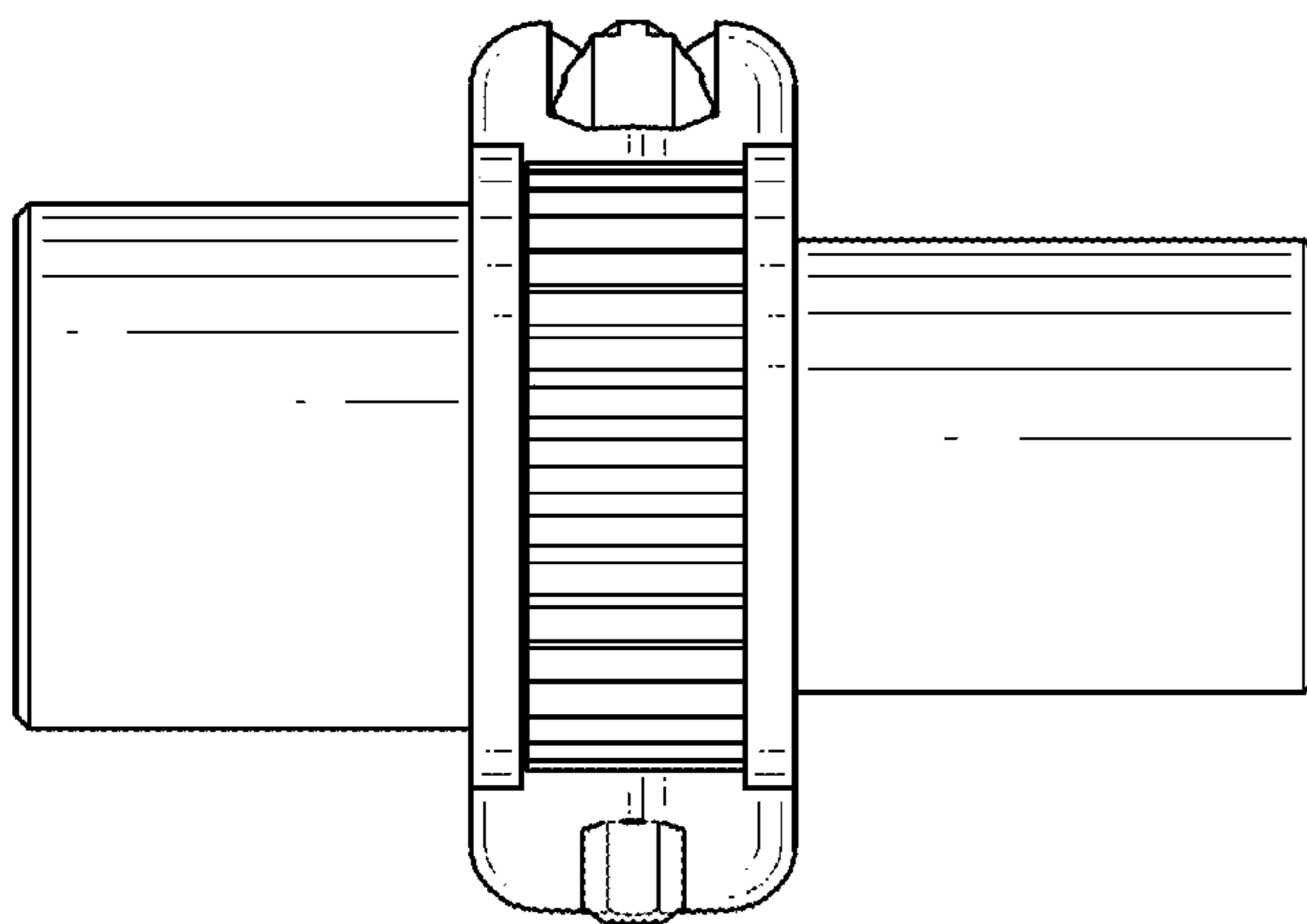


FIG. 4

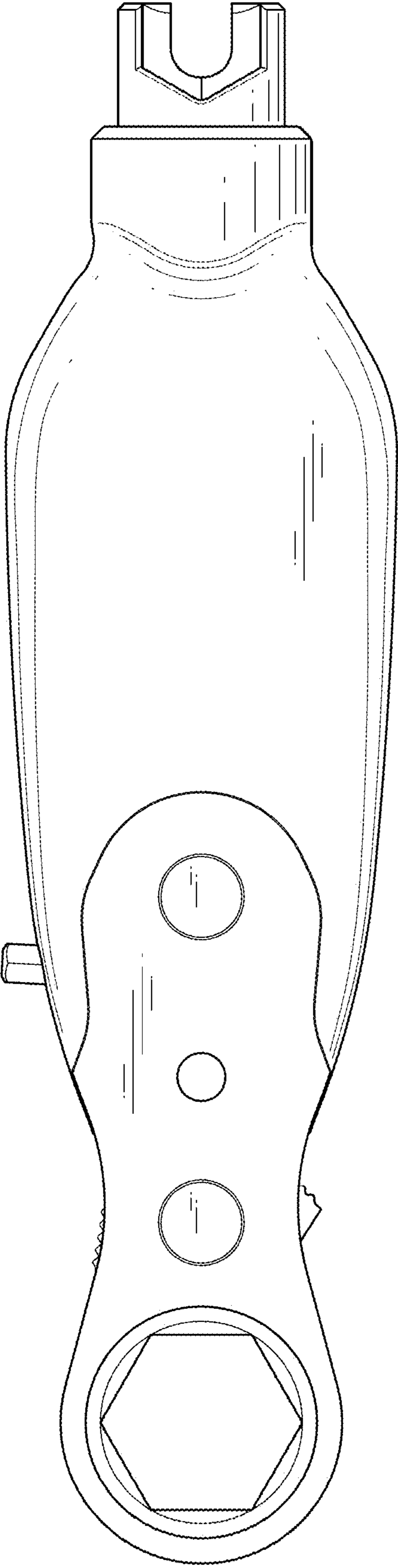


FIG. 6

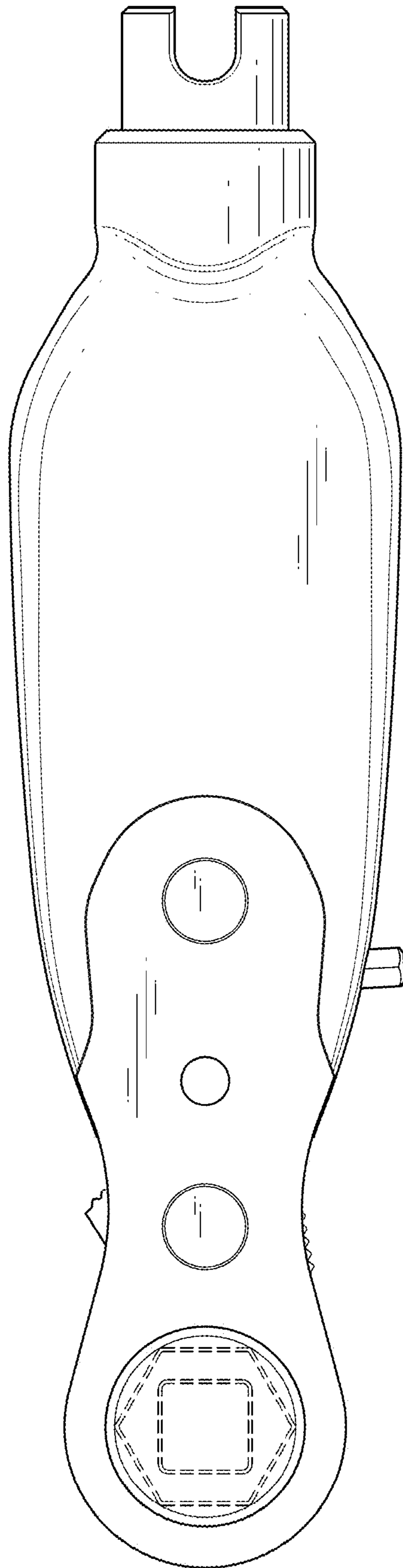


FIG. 7



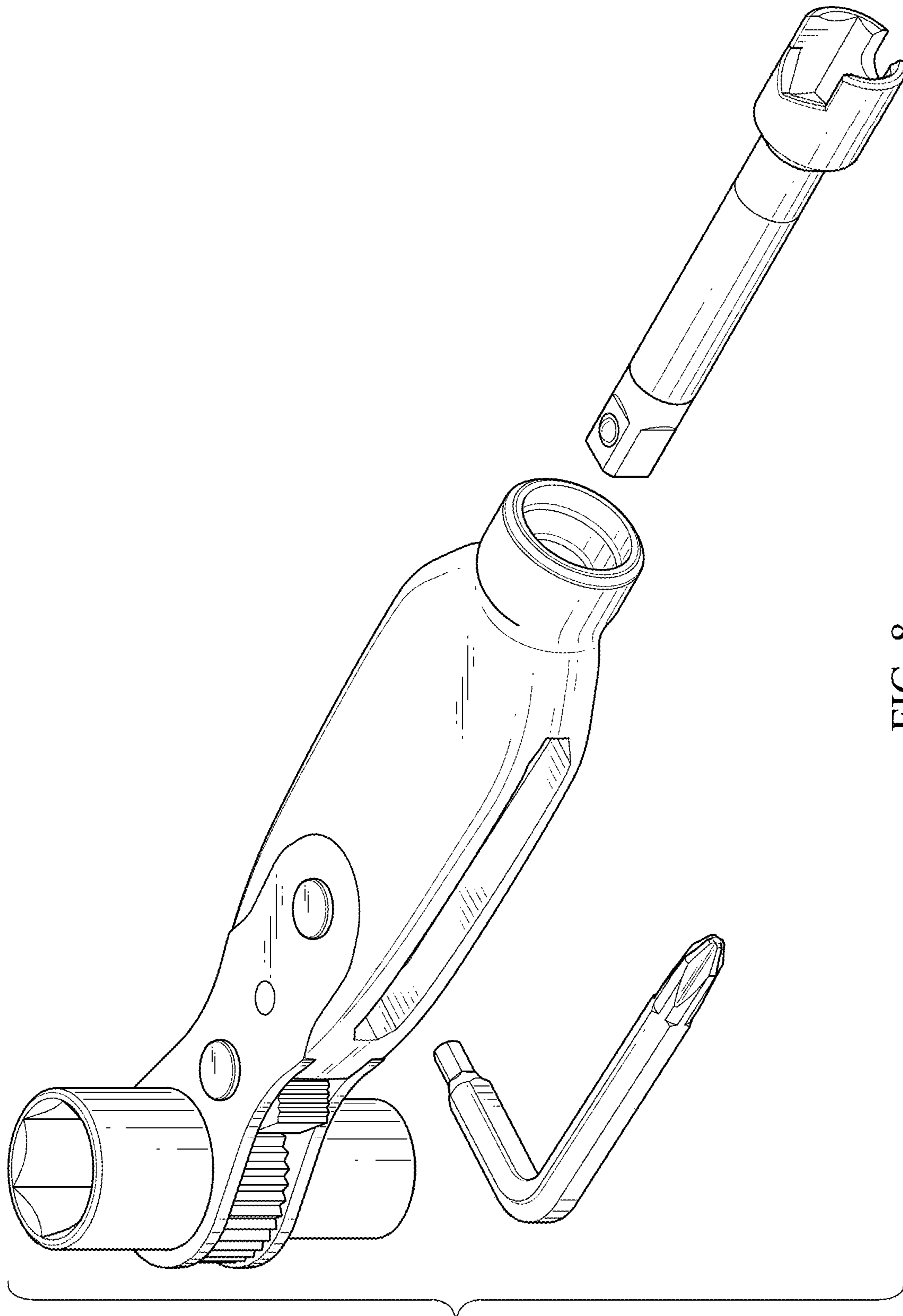


FIG. 8

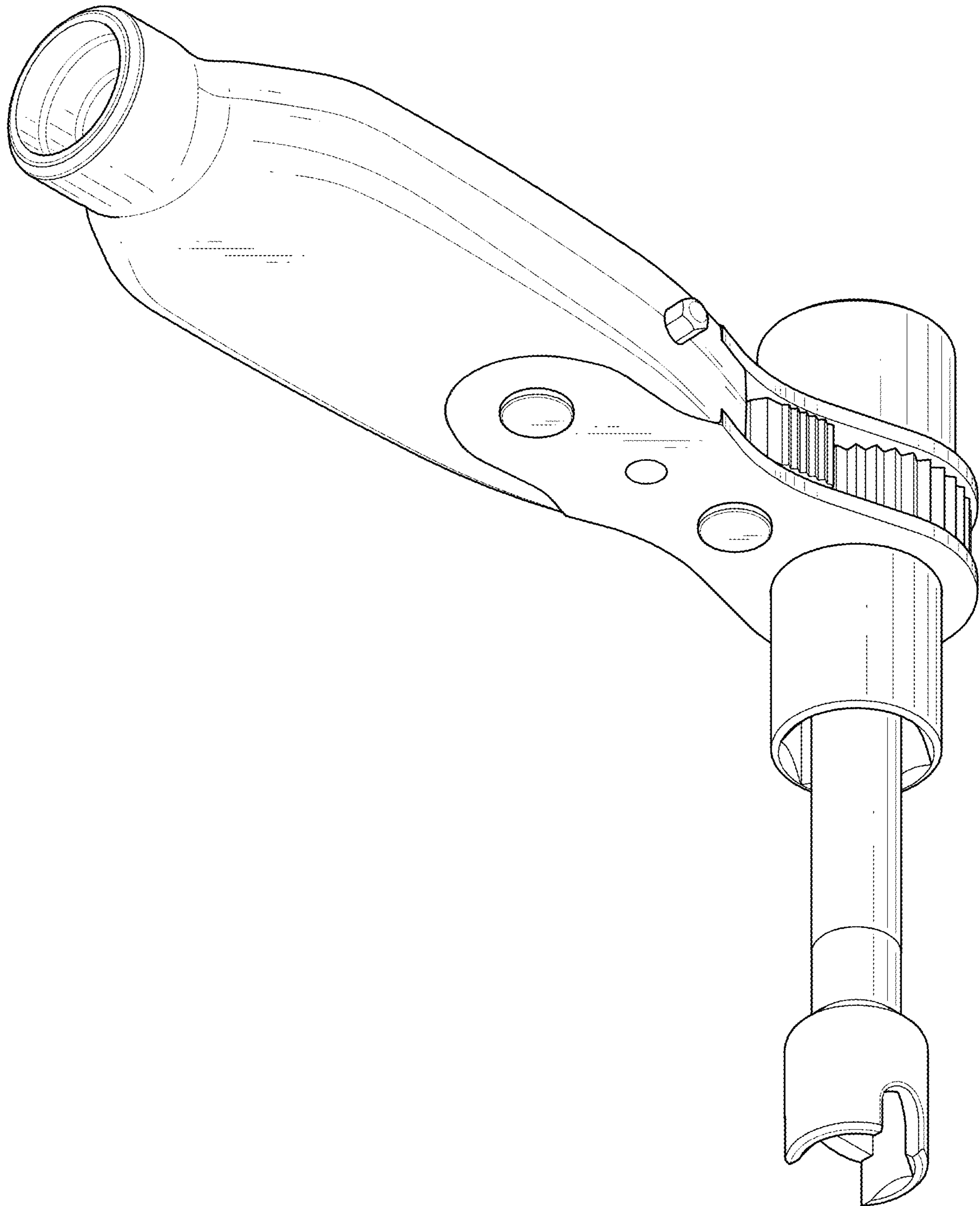


FIG. 9