

US00D966840S

(12) **United States Design Patent** (10) **Patent No.:** **US D966,840 S**
Zhao (45) **Date of Patent:** **** Oct. 18, 2022**

(54) **LOCK PICK TOOL**

(71) Applicant: **Cheng Zhao**, Shanxi (CN)

(72) Inventor: **Cheng Zhao**, Shanxi (CN)

(**) Term: **15 Years**

(21) Appl. No.: **29/831,867**

(22) Filed: **Mar. 23, 2022**

(51) **LOC (13) Cl.** **08-05**

(52) **U.S. Cl.**
USPC **D8/14; D8/347**

(58) **Field of Classification Search**
USPC D8/14, 51, 105, 347
CPC ... E05B 19/20; Y10T 70/8676; Y10T 70/7797
See application file for complete search history.

(56) **References Cited**

U.S. PATENT DOCUMENTS

3,452,562	A *	7/1969	Loveless	E05B 19/20 70/456 R
4,006,613	A *	2/1977	Zion	E05B 19/20 7/168
4,457,191	A *	7/1984	Weber	E05B 19/20 81/15.9
6,138,486	A *	10/2000	Hughes	E05B 19/20 70/494
6,148,652	A *	11/2000	Magini	E05B 19/20 70/394
6,151,936	A *	11/2000	Randall	E05B 19/20 70/394
D605,116	S *	12/2009	Heichal	D8/347
D620,776	S	8/2010	Prachthauser		
8,341,989	B1 *	1/2013	Hamblin	A45C 11/328 D3/211

9,133,646	B1 *	9/2015	Jennings	E05B 19/205
D815,930	S *	4/2018	Atanasov	D8/14
2010/0037733	A1 *	2/2010	Robins	E05B 17/10 81/15.9
2011/0067254	A1 *	3/2011	Randall	E05B 19/205 702/155

* cited by examiner

Primary Examiner — Philip S Hyder
(74) *Attorney, Agent, or Firm* — Che-Yang Chen; Law Office of Michael Chen

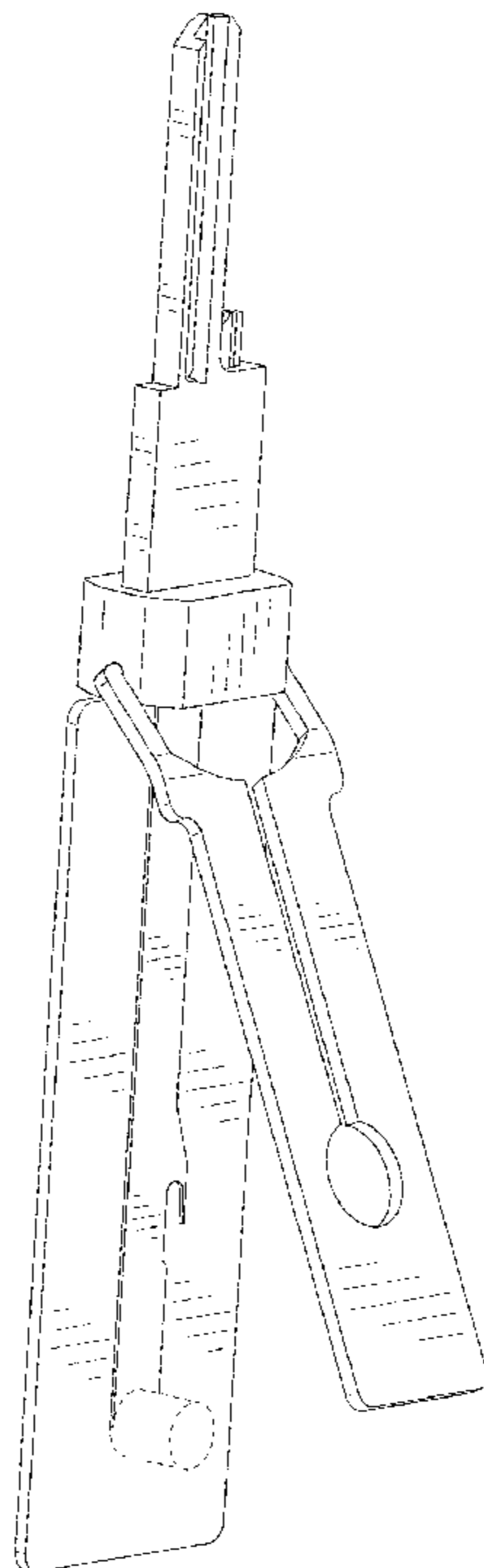
(57) **CLAIM**

The ornamental design for a lock pick tool, as shown and described.

DESCRIPTION

FIG. 1 is a perspective view of the lock pick tool showing my new design;
 FIG. 2 is a perspective view thereof from another angle;
 FIG. 3 is a perspective view thereof from a different angle;
 FIG. 4 is a front elevational view thereof;
 FIG. 5 is a rear elevational view thereof;
 FIG. 6 is a left side elevational view thereof;
 FIG. 7 is a right side elevational view thereof;
 FIG. 8 is a top plan view thereof;
 FIG. 9 is a bottom plan view thereof; and,
 FIG. 10 is an enlarged view of a portion indicated with numeric 10 in FIG. 3.
 The broken lines shown in the drawings are included for the purpose of illustrating portions of the lock pick tool that form no part of the claimed design.

1 Claim, 10 Drawing Sheets



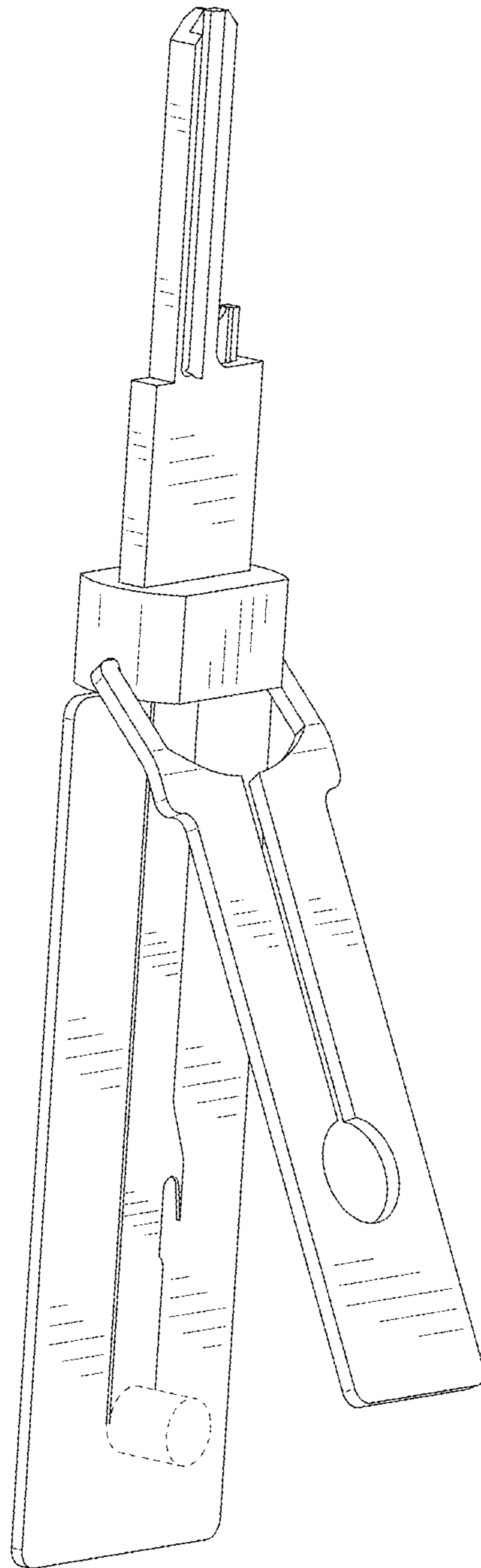


FIG. 1

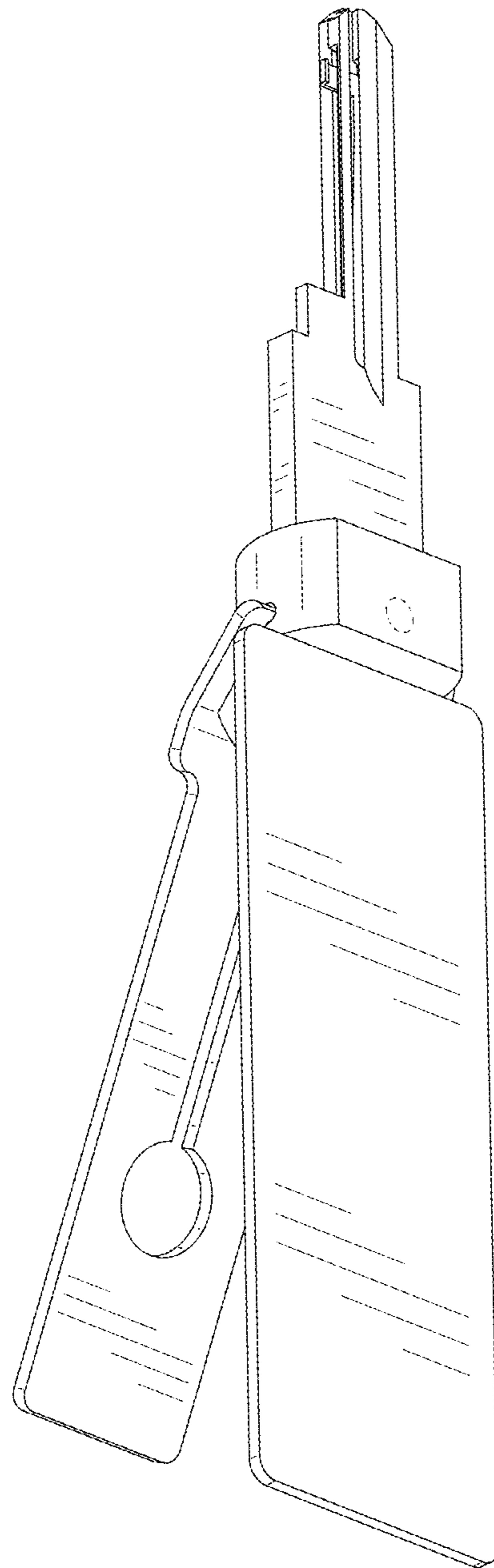


FIG. 2

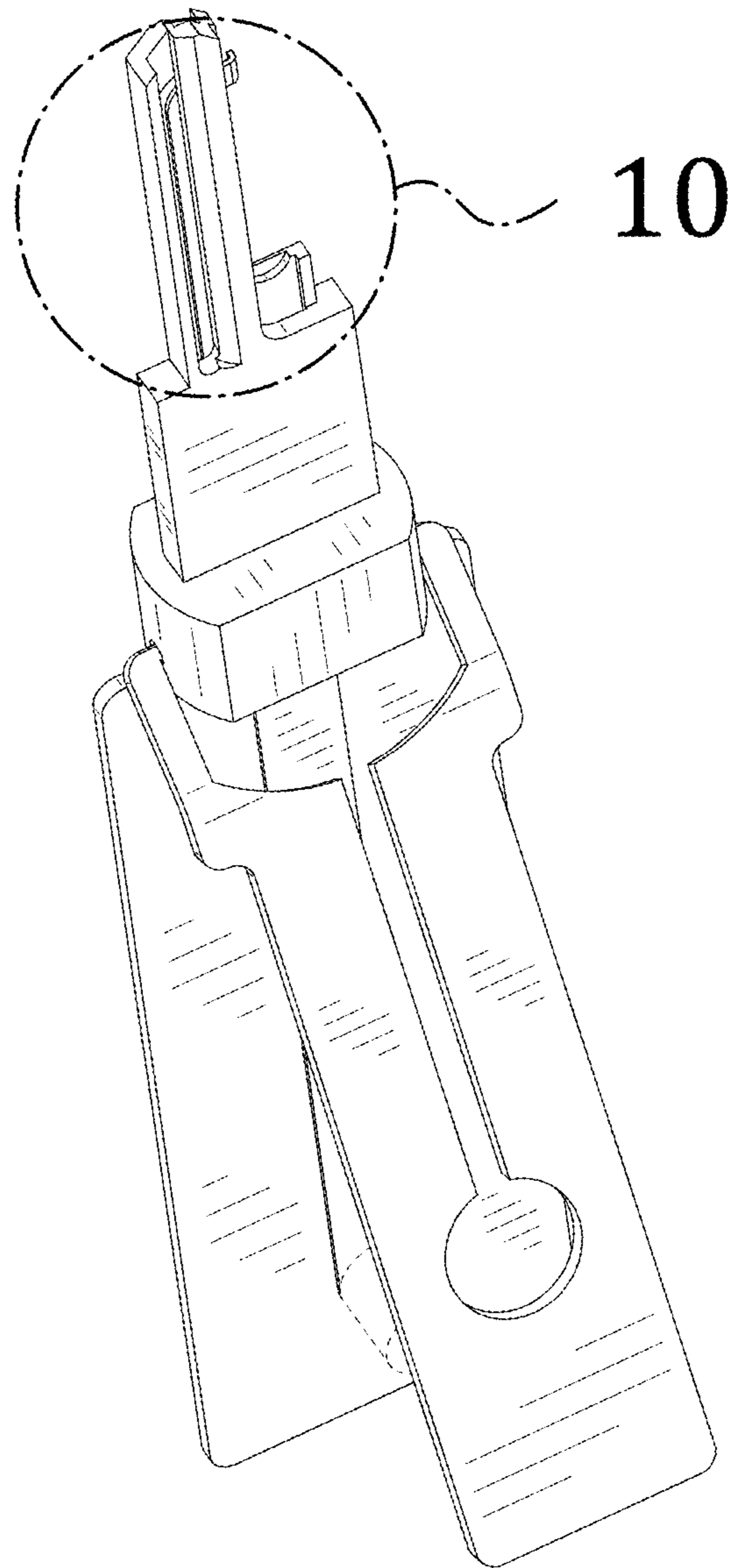


FIG. 3

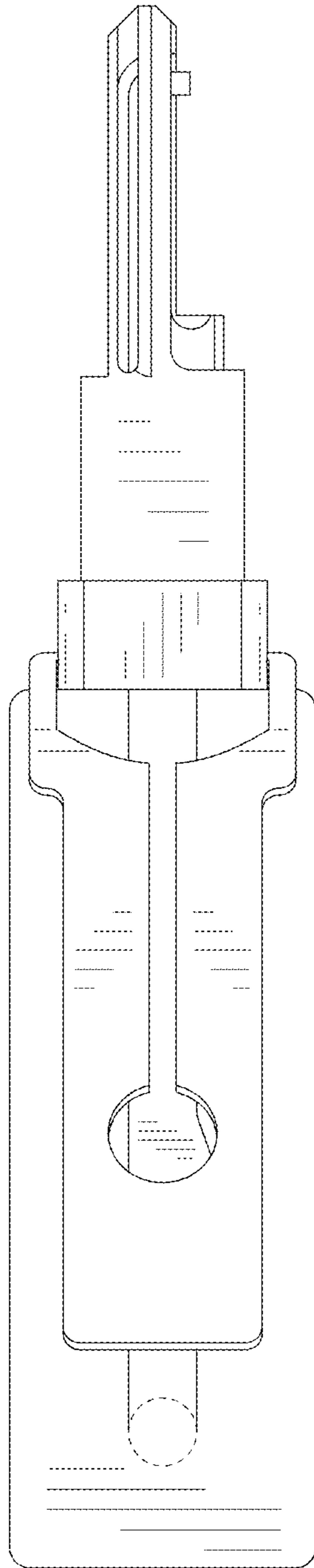


FIG. 4

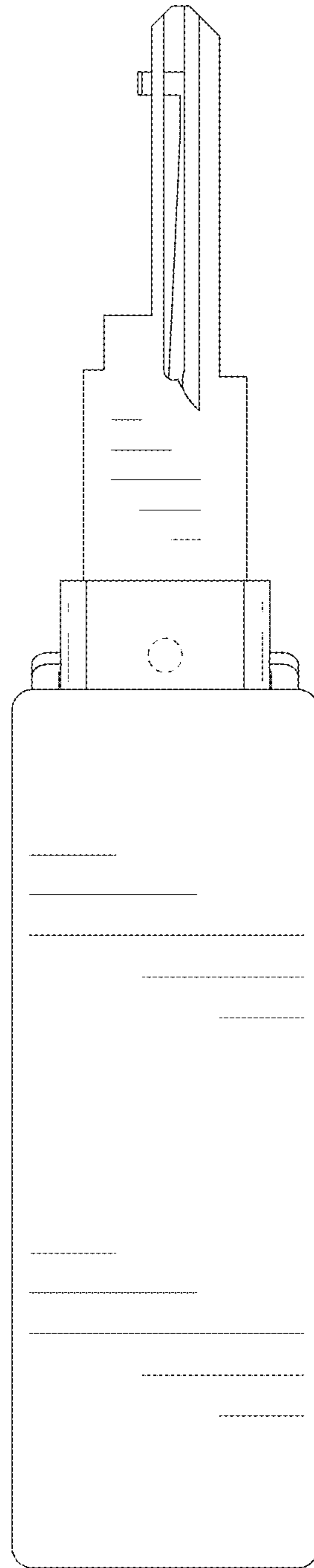


FIG. 5

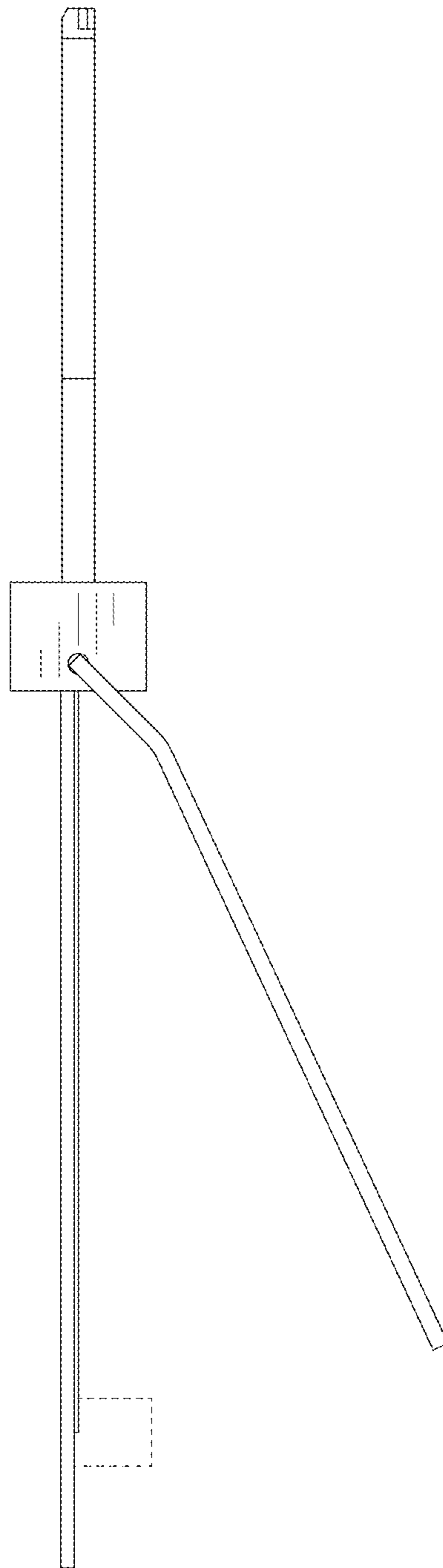


FIG. 6

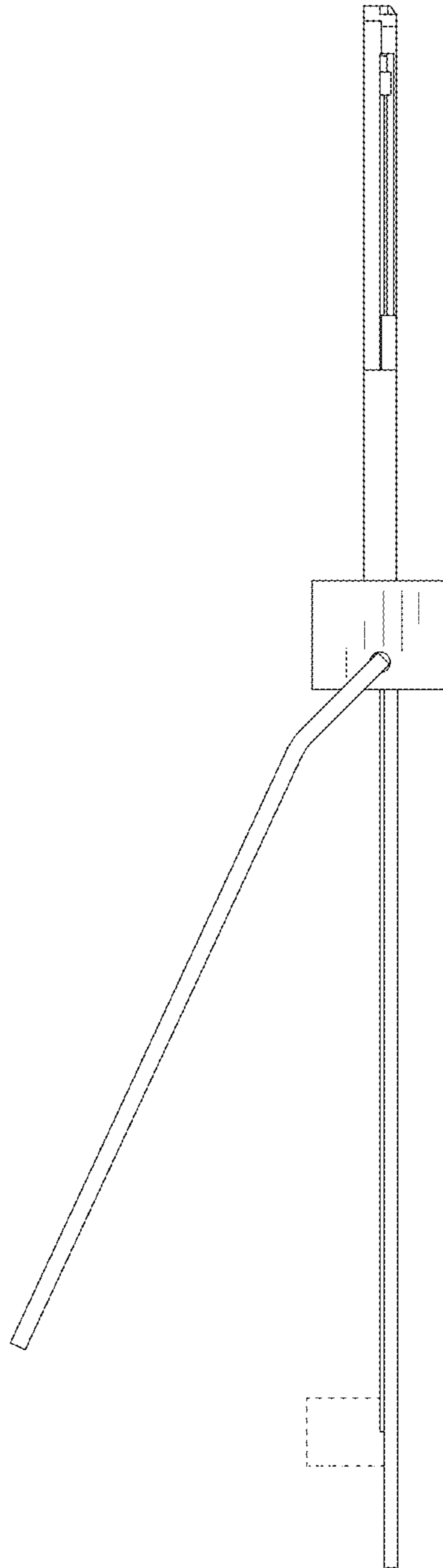


FIG. 7

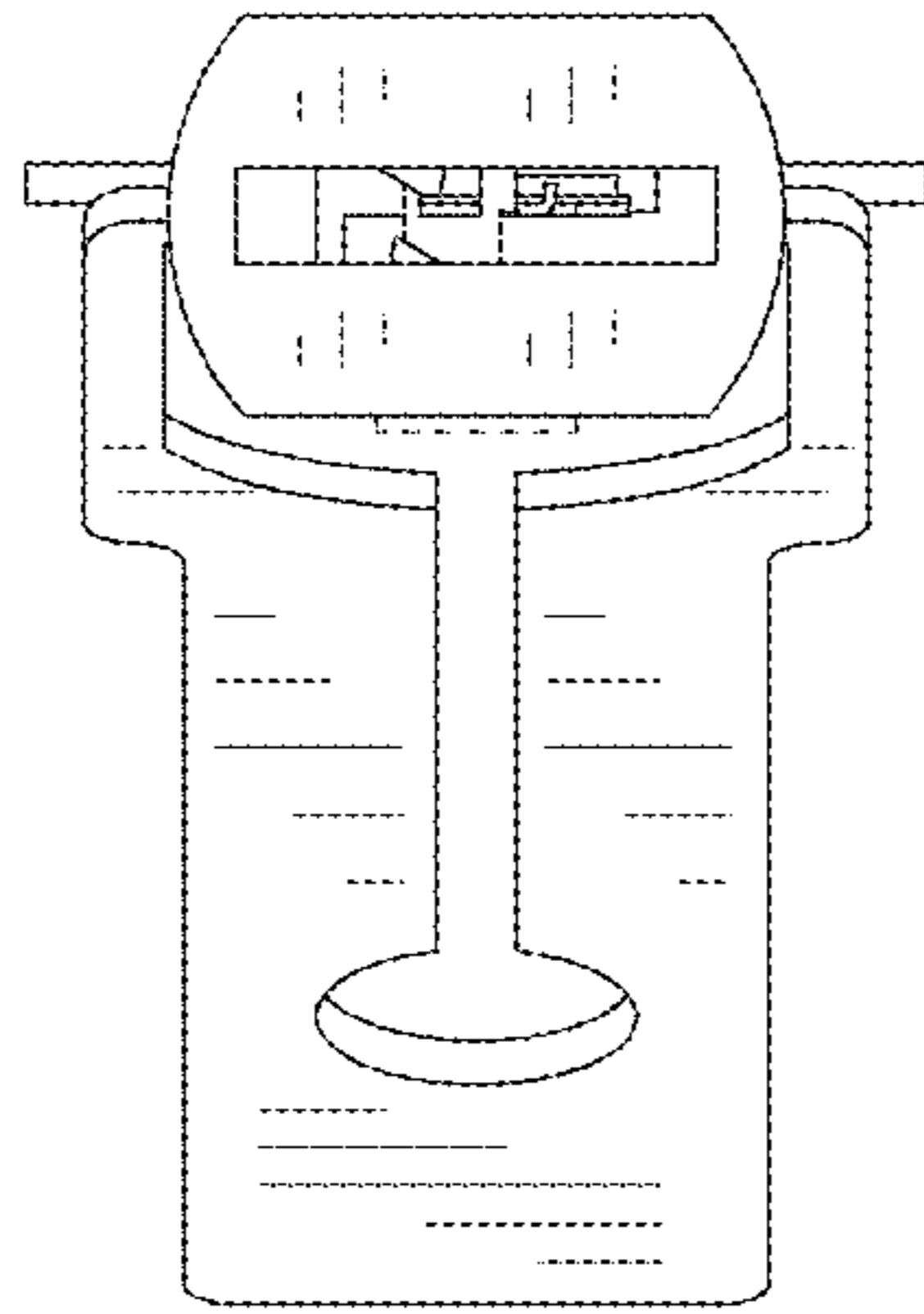


FIG. 8

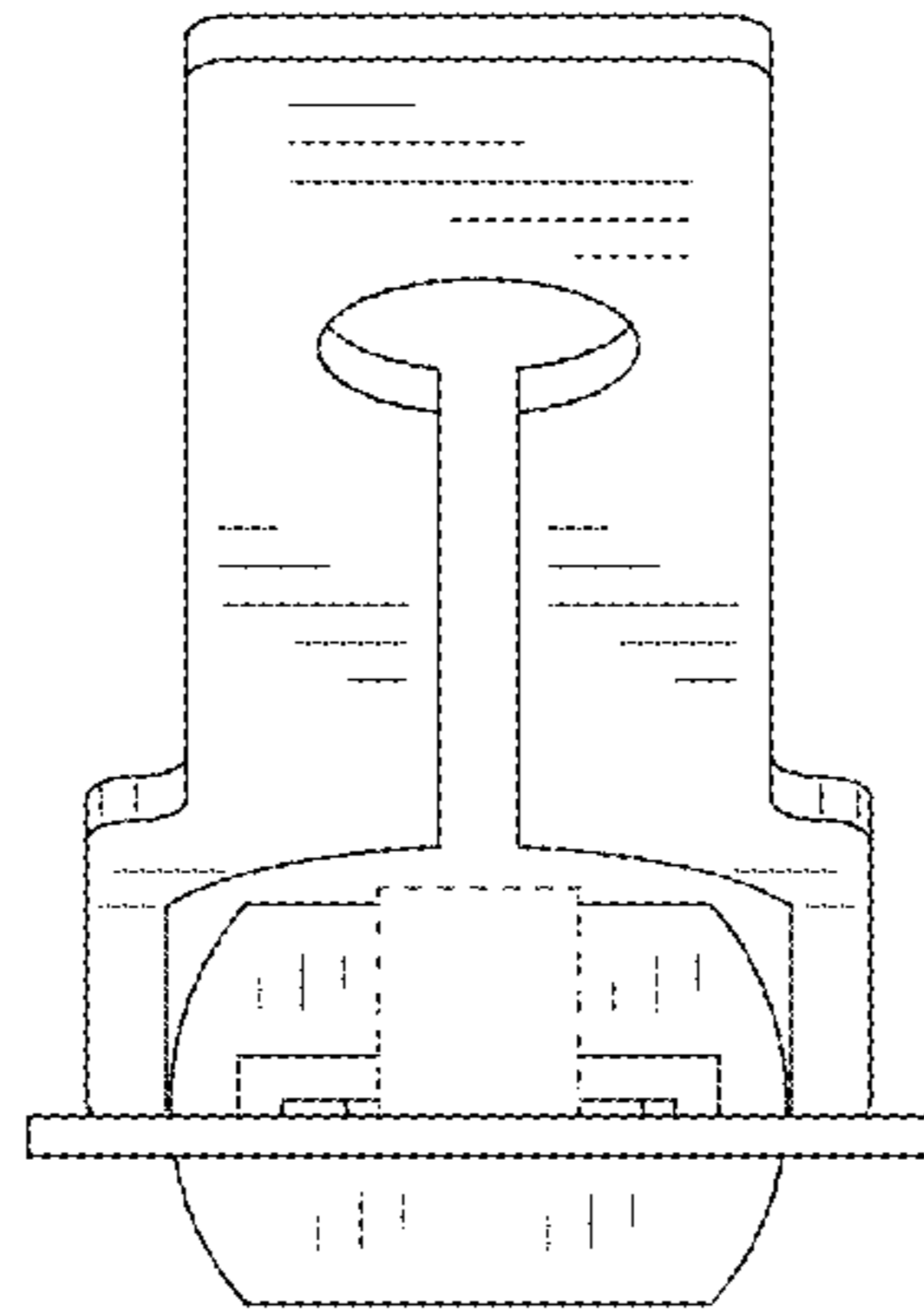


FIG. 9

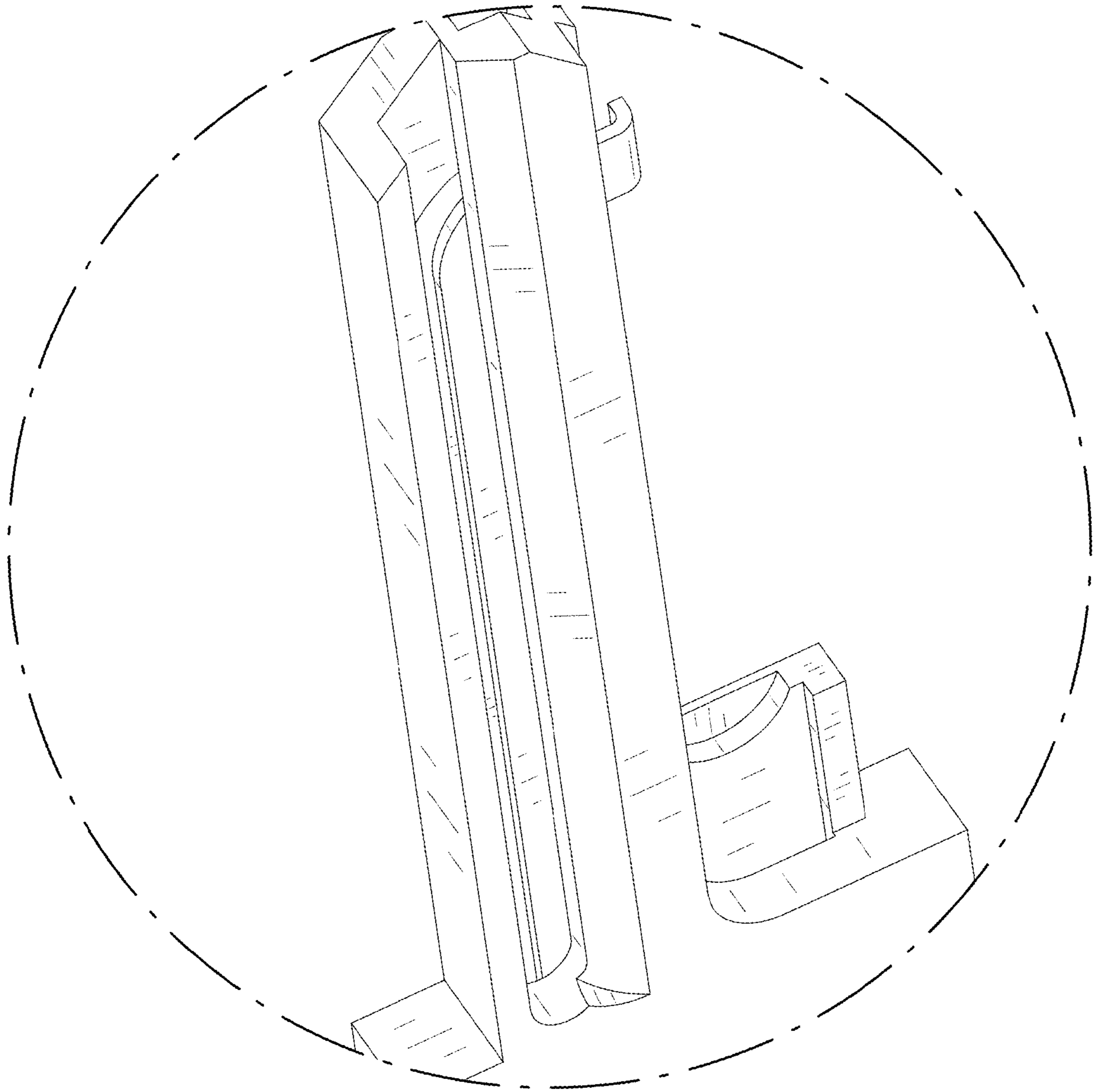


FIG. 10