

US00D966839S

(12) **United States Design Patent** (10) **Patent No.:** **US D966,839 S**
Jiang (45) **Date of Patent:** **** Oct. 18, 2022**

(54) **WOOD SPLITTER**
(71) Applicant: **SHENZHEN JIECHUANG DESIGN CO., LTD.,** Shenzhen (CN)
(72) Inventor: **Jiaoying Jiang,** Shenzhen (CN)
(73) Assignee: **SHENZHEN JIECHUANG DESIGN CO., LTD.,** Shenzhen (CN)
(**) Term: **15 Years**

D817,123 S * 5/2018 Johnsen D8/7
D845,725 S * 4/2019 Baron D8/7
D881,662 S * 4/2020 Hutchinson D8/1
D901,997 S * 11/2020 Baron D8/7
D904,837 S * 12/2020 Chaklos D8/7
D924,646 S * 7/2021 Fu D8/7
D925,998 S * 7/2021 Baron D8/7
D934,041 S 10/2021 Odintsov
D951,728 S * 5/2022 Amundson D8/7
D953,825 S * 6/2022 Baron D8/7
2006/0144468 A1* 7/2006 Lewis B27L 7/00
144/195.7

(Continued)

(21) Appl. No.: **29/845,293**
(22) Filed: **Jul. 6, 2022**
(51) **LOC (13) Cl.** **08-01**
(52) **U.S. Cl.**
USPC **D8/1; D8/5; D8/76**
(58) **Field of Classification Search**
USPC D8/1, 60, 97, 61, 107, 11, 57, 26;
D15/28, 127
CPC .. B27L 5/02; B27L 11/04; B27L 5/002; B27L
7/00; B27L 5/06; B27B 21/02; B27B
21/00; B27B 21/04; B27B 21/06; B27B
21/08; B27B 23/00; B27B 31/00; B27B
31/003; B27B 13/02; B27B 33/10; B23B
3/26; B23B 5/14; B23B 5/08
See application file for complete search history.

OTHER PUBLICATIONS

Kindling Cracker, by Aubai on Amazon.com. Dated Jan. 7, 2018.
Found online [Aug. 9, 2022], <https://www.amazon.com/dp/B09P8HRVQB>.*

Primary Examiner — Marissa J Cash
Assistant Examiner — Kayla Marie Bennett
(74) *Attorney, Agent, or Firm* — ScienBizipP, P.C.

(57) **CLAIM**

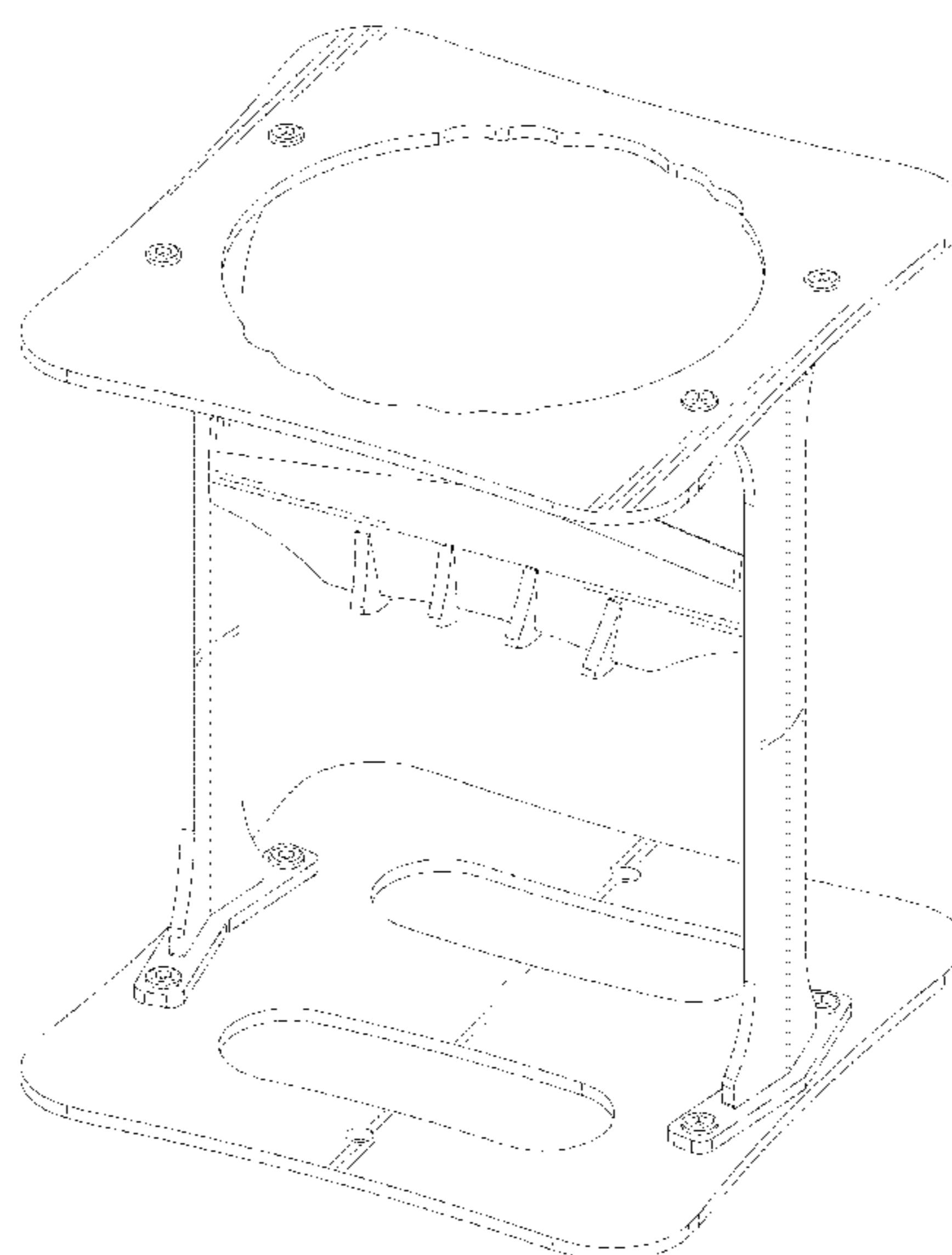
The ornamental design for a wood splitter, as shown and described.

DESCRIPTION

FIG. 1 is a front, right and top perspective view of a wood splitter, showing my design.
FIG. 2 is a front elevation view thereof.
FIG. 3 is a rear elevation view thereof.
FIG. 4 is a left side elevation view thereof.
FIG. 5 is a right side elevation view thereof.
FIG. 6 is a top plan view thereof; and,
FIG. 7 is a bottom plan view thereof.
The broken lines shown in the drawings are included for the purpose of illustrating portions of the wood splitter that form no part of the claimed design.

1 Claim, 7 Drawing Sheets

(56) **References Cited**
U.S. PATENT DOCUMENTS
3,545,709 A * 12/1970 Harvey B65F 1/141
248/156
D240,703 S * 7/1976 Russell D8/71
4,274,458 A * 6/1981 Dueweke B27L 7/005
144/195.7
4,391,311 A * 7/1983 Levercom B27L 7/005
144/195.7
4,793,391 A * 12/1988 Mauer B27L 7/06
144/195.1
D528,570 S * 9/2006 Lewis D15/127
D696,093 S * 12/2013 Mackay-Sim D8/70



(56)

References Cited

U.S. PATENT DOCUMENTS

2011/0036455 A1* 2/2011 Valdez B27L 7/06
144/195.8
2018/0200919 A1* 7/2018 Kilpela B27L 7/06
2018/0229395 A1* 8/2018 Zhu B26D 7/22

* cited by examiner

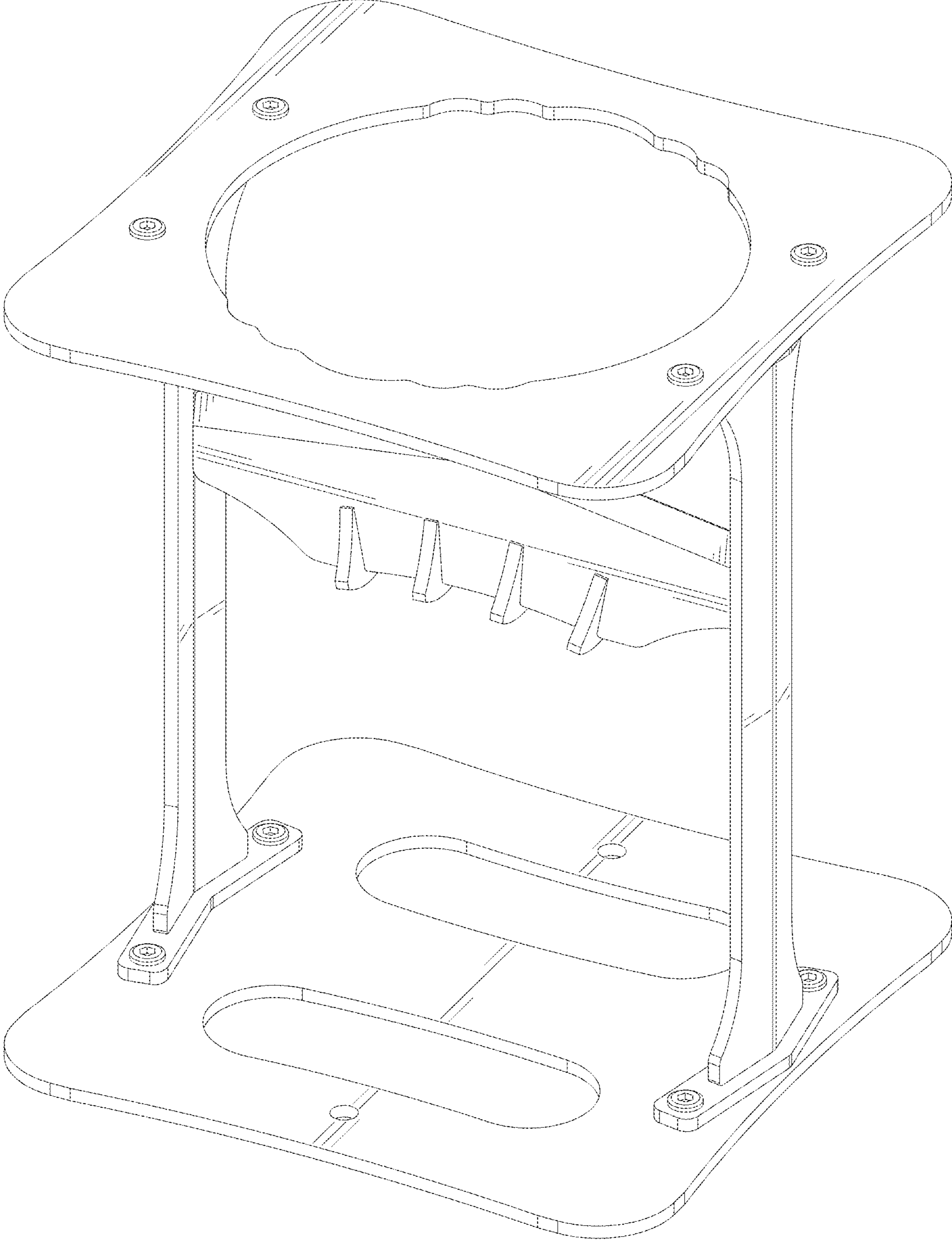


FIG.1

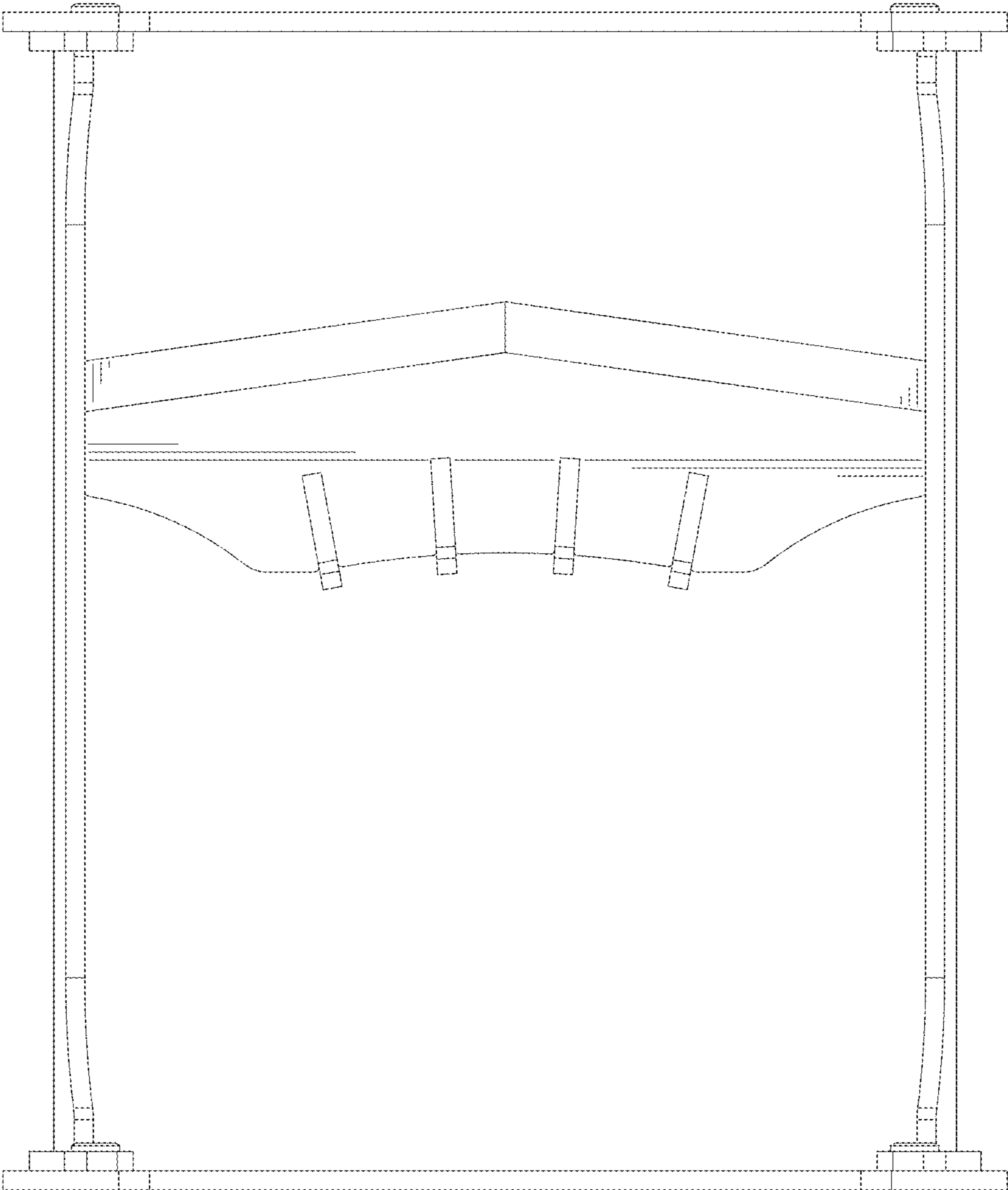


FIG.2

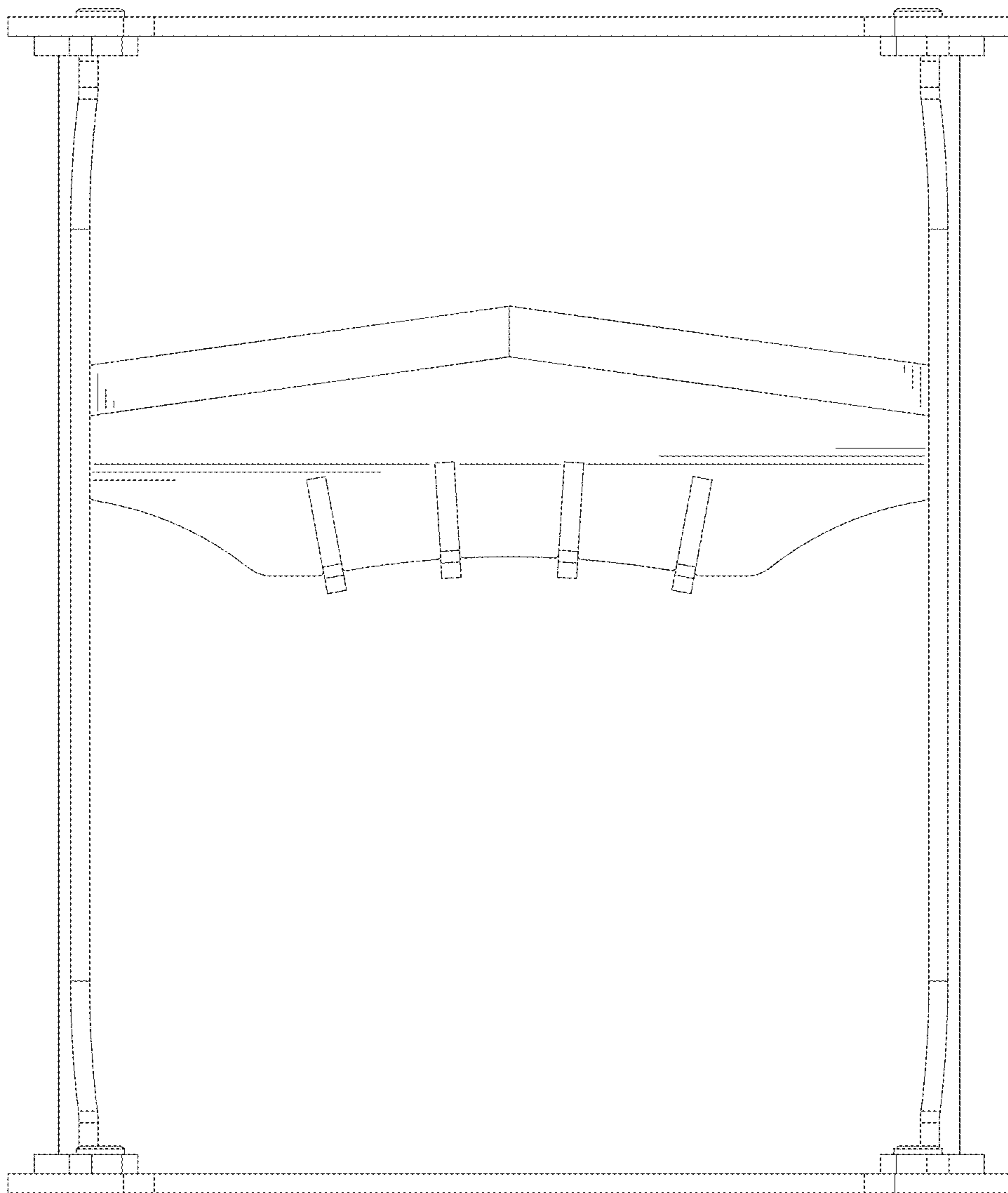


FIG.3

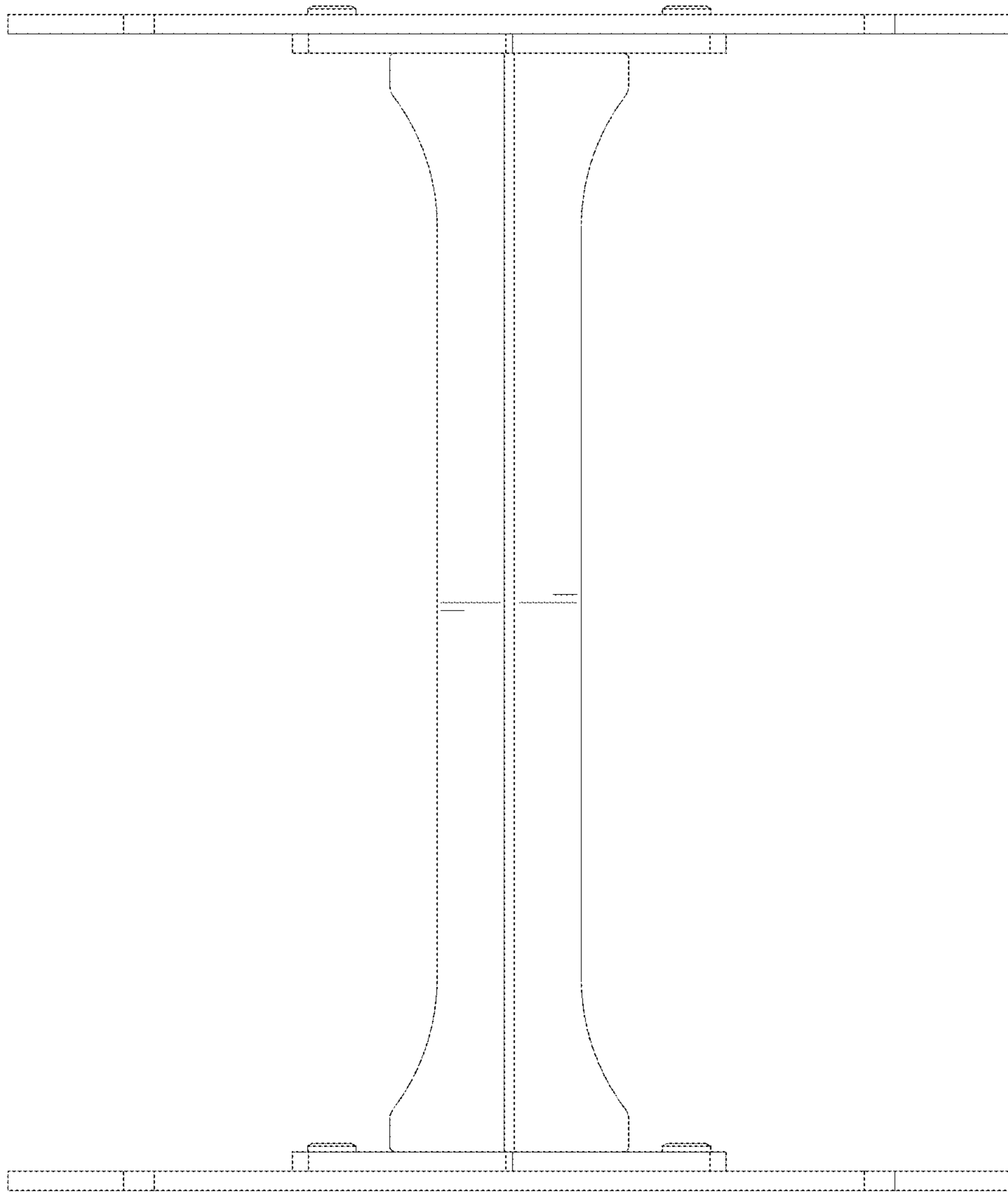


FIG.4

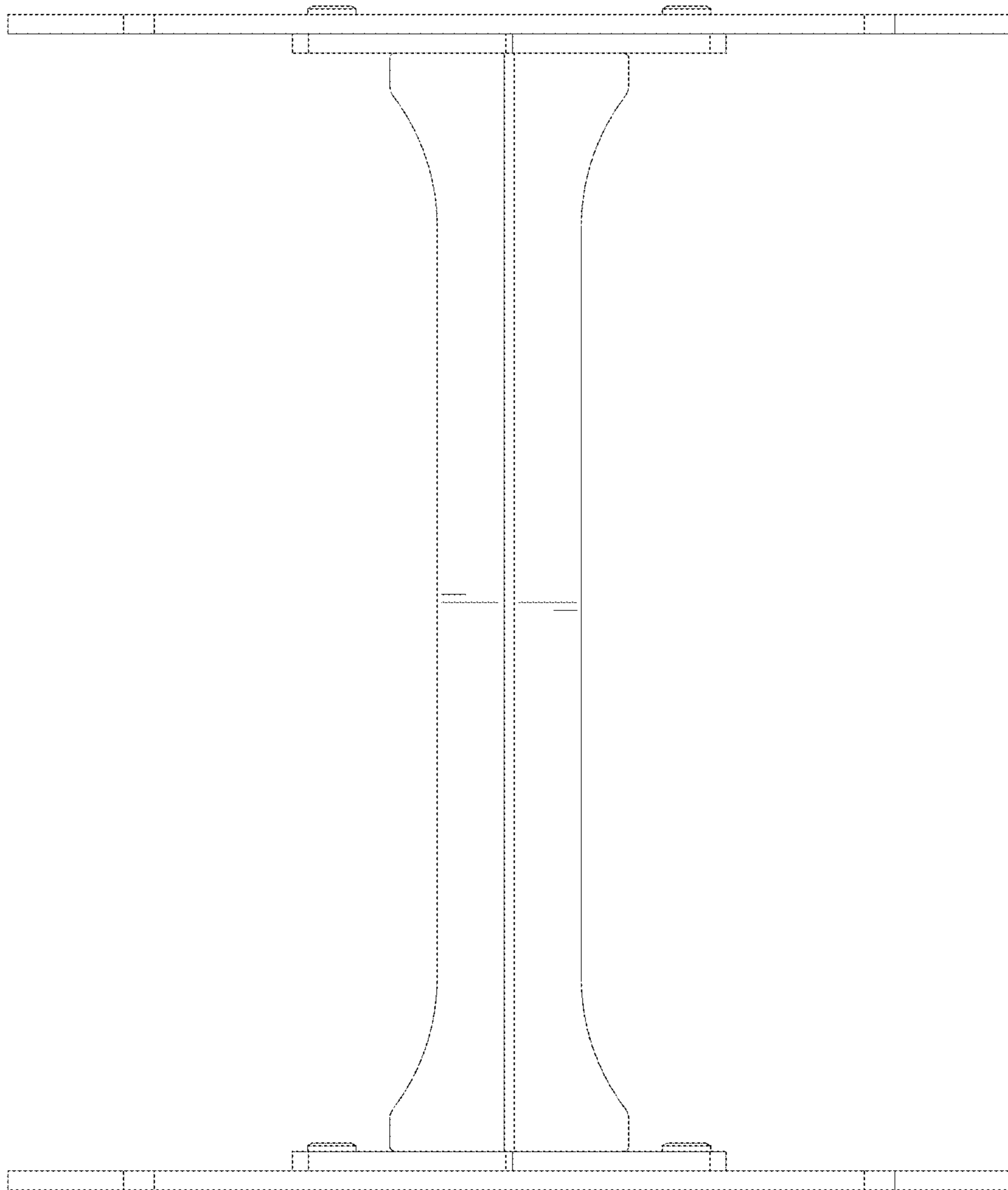


FIG.5

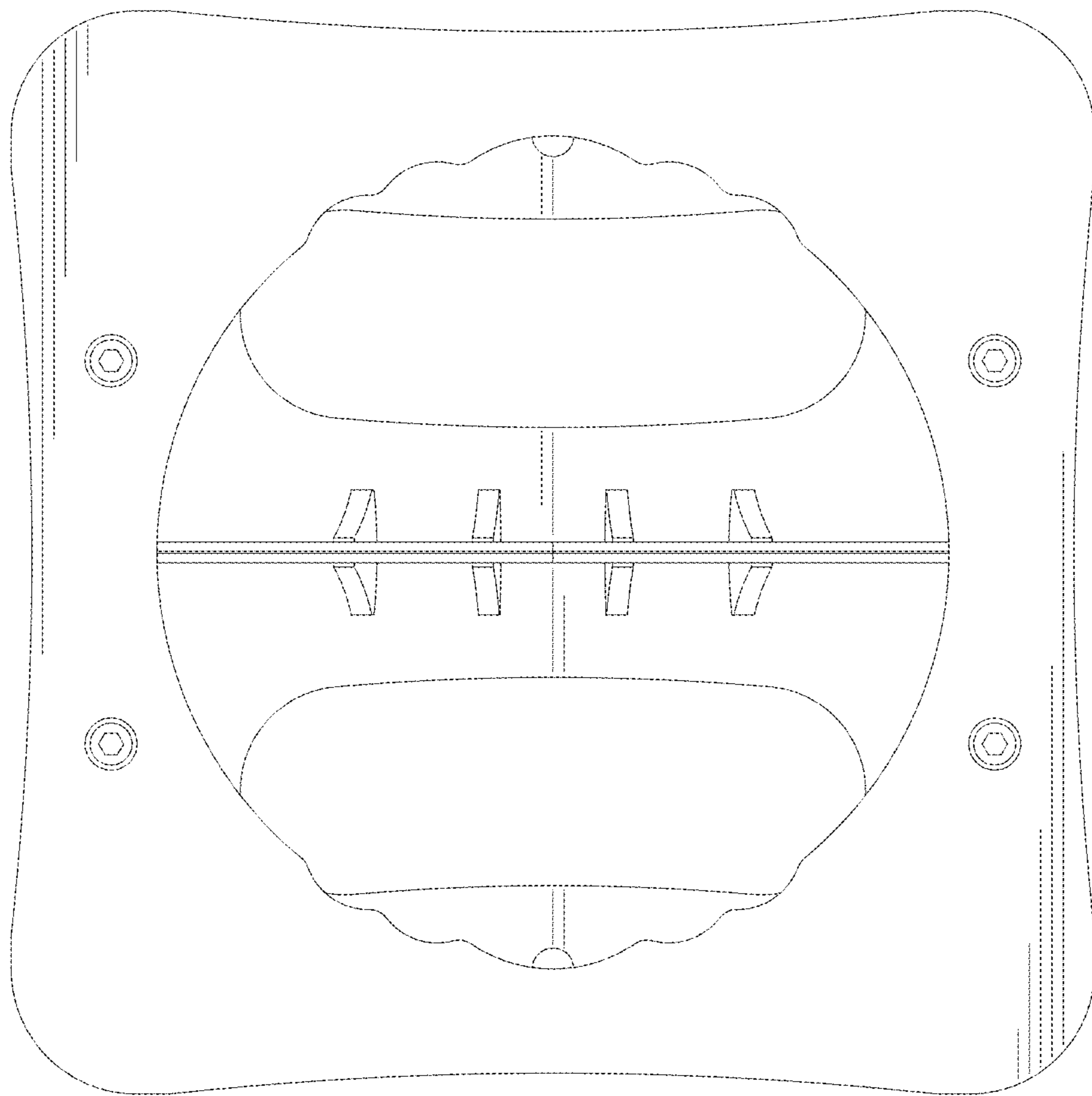


FIG.6

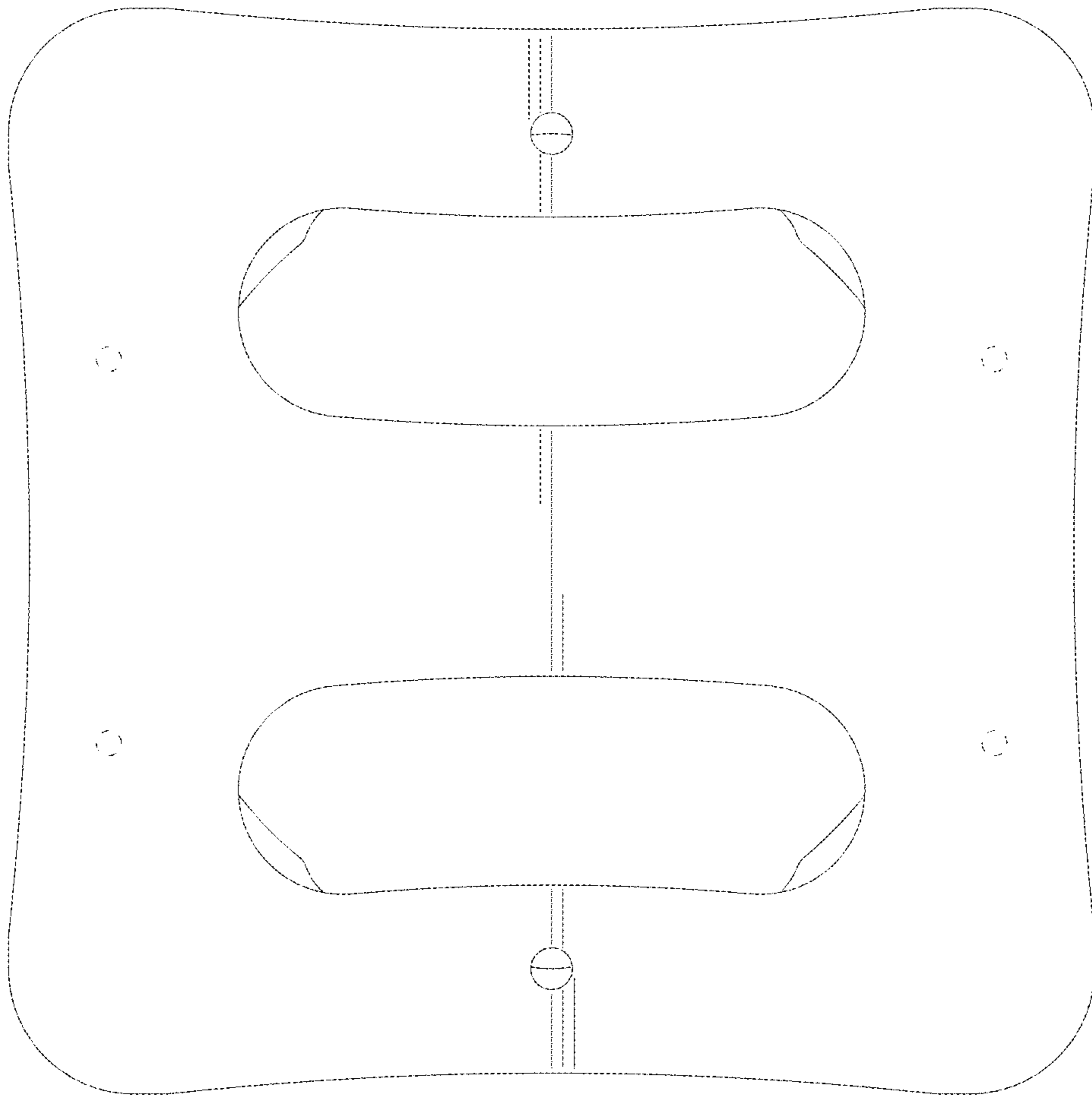


FIG.7