



US00D966837S

(12) **United States Design Patent**
Rodack

(10) **Patent No.:** **US D966,837 S**
(45) **Date of Patent:** **** Oct. 18, 2022**

(54) **LID ORGANIZER**

D295,125 S * 4/1988 Chap D7/704
D538,496 S * 3/2007 Plikuhn D32/55
D901,180 S * 11/2020 Li D3/305

(71) Applicant: **MSR Imports, Inc.**, Pennsauken, NJ
(US)

(72) Inventor: **Jonathan Rodack**, Bryn Mawr, PA
(US)

(73) Assignee: **MSR Imports, Inc.**, Pennsauken, NJ
(US)

(**) Term: **15 Years**

(21) Appl. No.: **29/746,062**

(22) Filed: **Aug. 11, 2020**

(51) **LOC (13) Cl.** **06-04**

(52) **U.S. Cl.**
USPC **D7/704; D3/306**

(58) **Field of Classification Search**
USPC D7/600.1-600.4, 701-708; D3/304,
D3/306-314; D32/55; D6/675.5, 677.5,
D6/676.5, 678.4, 682.2, 567, 569, 571,
D6/534, 553
CPC A47B 73/00; A47B 73/004; A47B 73/006;
A47B 13/16; A47G 23/0641; A47G
23/06; A47G 23/0208; A47G 23/02;
A47G 23/0241

See application file for complete search history.

(56) **References Cited**

U.S. PATENT DOCUMENTS

D157,571 S * 3/1950 Dennis D3/306
D166,510 S * 4/1952 Watral D32/55

OTHER PUBLICATIONS

Amazon.com, mDesign Large Steel Storage Organizer Bin Baskets,
ASIN: B07ZJVWHYV, 15 pages, date first available Oct. 24, 2019
(Year: 2019).*

* cited by examiner

Primary Examiner — Terry A Wallace

(74) *Attorney, Agent, or Firm* — Kaplan Breyer Schwarz,
LLP

(57) **CLAIM**

The ornamental design for the lid organizer, as shown and
described.

DESCRIPTION

FIG. 1 is an rear isometric view of a lid organizer showing
my new design;

FIG. 2 is a front elevation view of the lid organizer of FIG.
1;

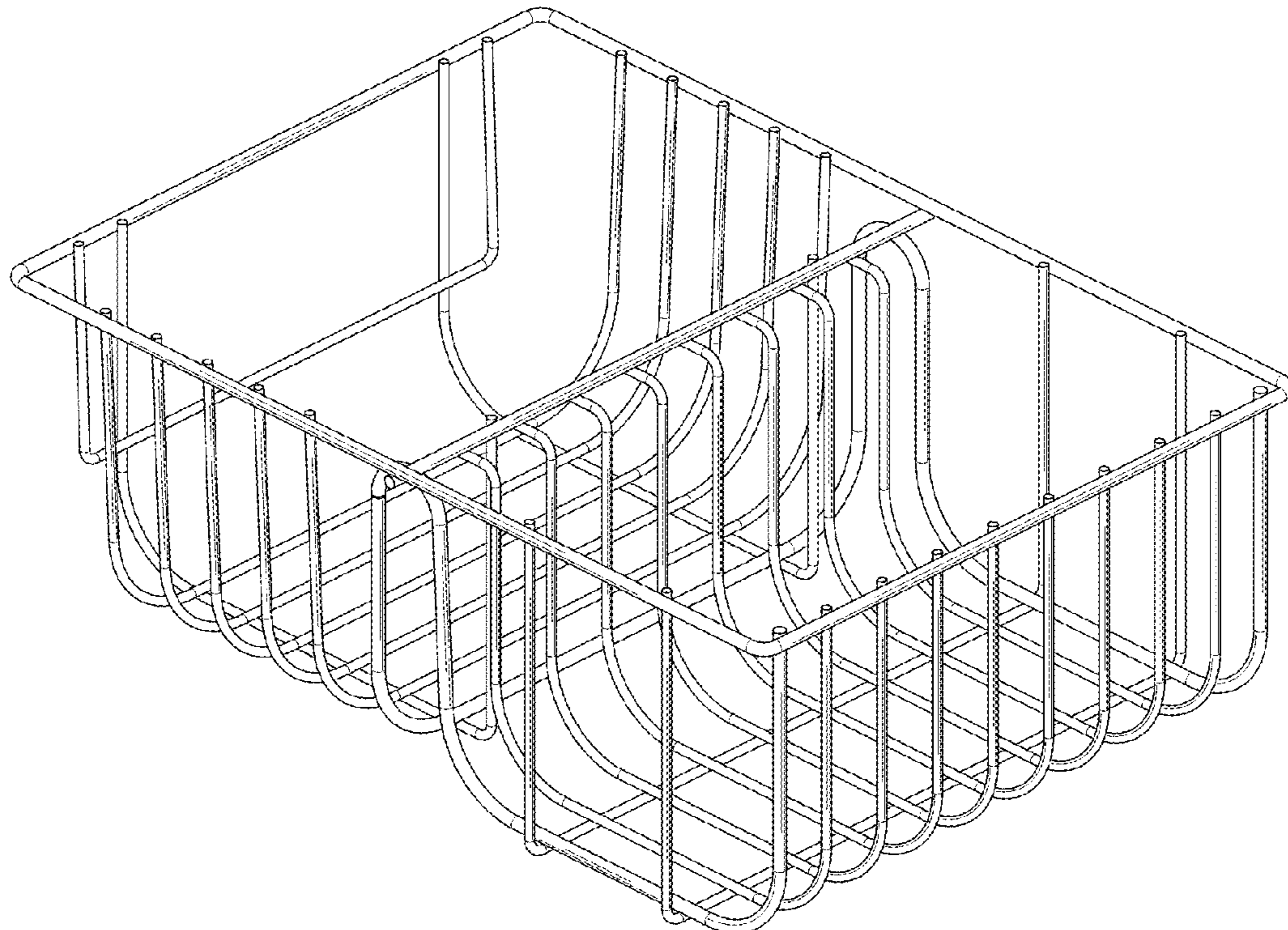
FIG. 3 is a rear elevation view of the lid organizer of FIG.
1;

FIG. 4 is a right side elevation view of the lid organizer of
FIG. 1;

FIG. 5 is a left side elevation view of the lid organizer of
FIG. 1;

FIG. 6 is a top, plan view of the lid organizer of FIG. 1; and,
FIG. 7 is a bottom, plan view of the lid organizer of FIG. 1.

1 Claim, 4 Drawing Sheets



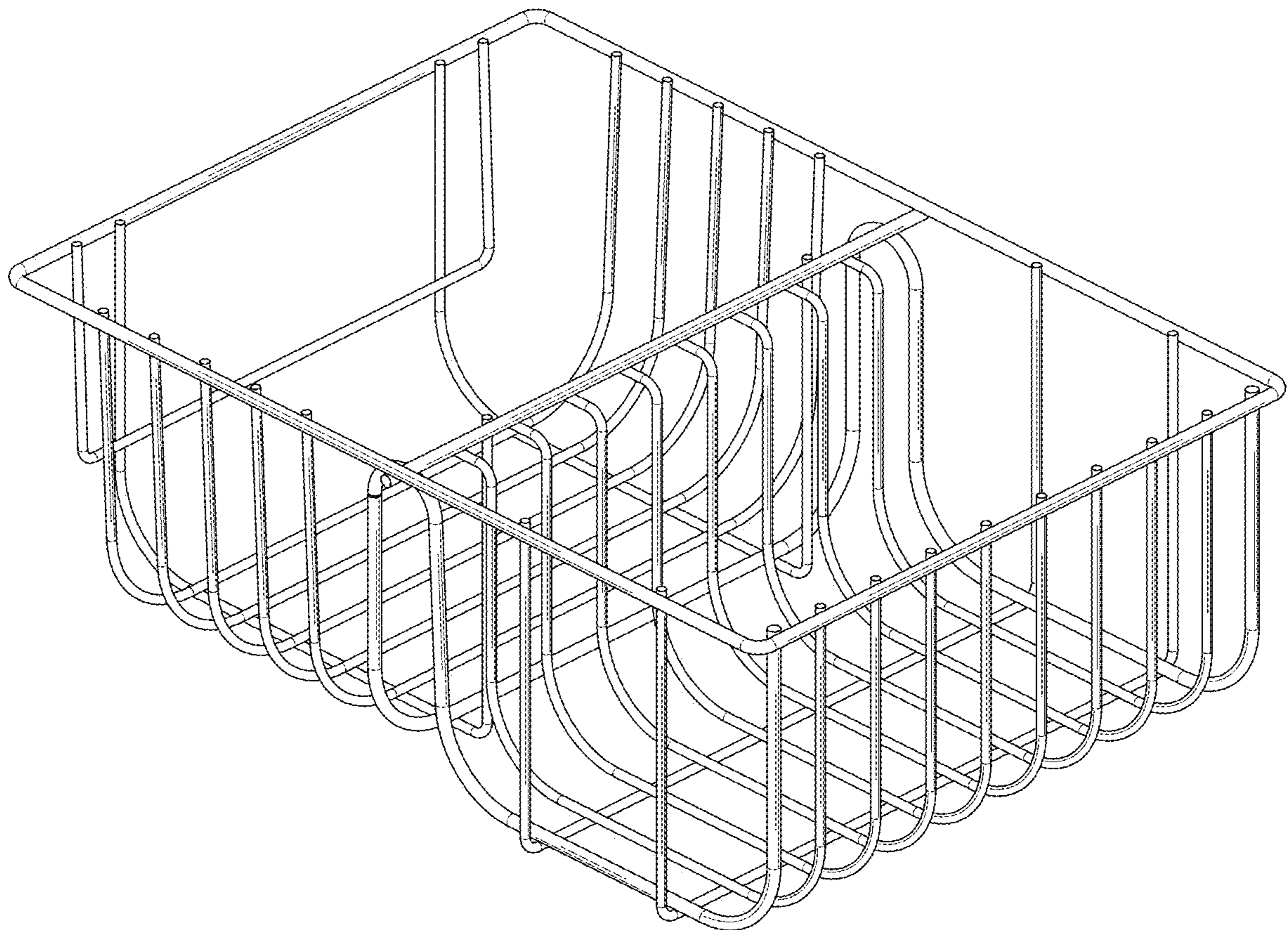


FIG. 1

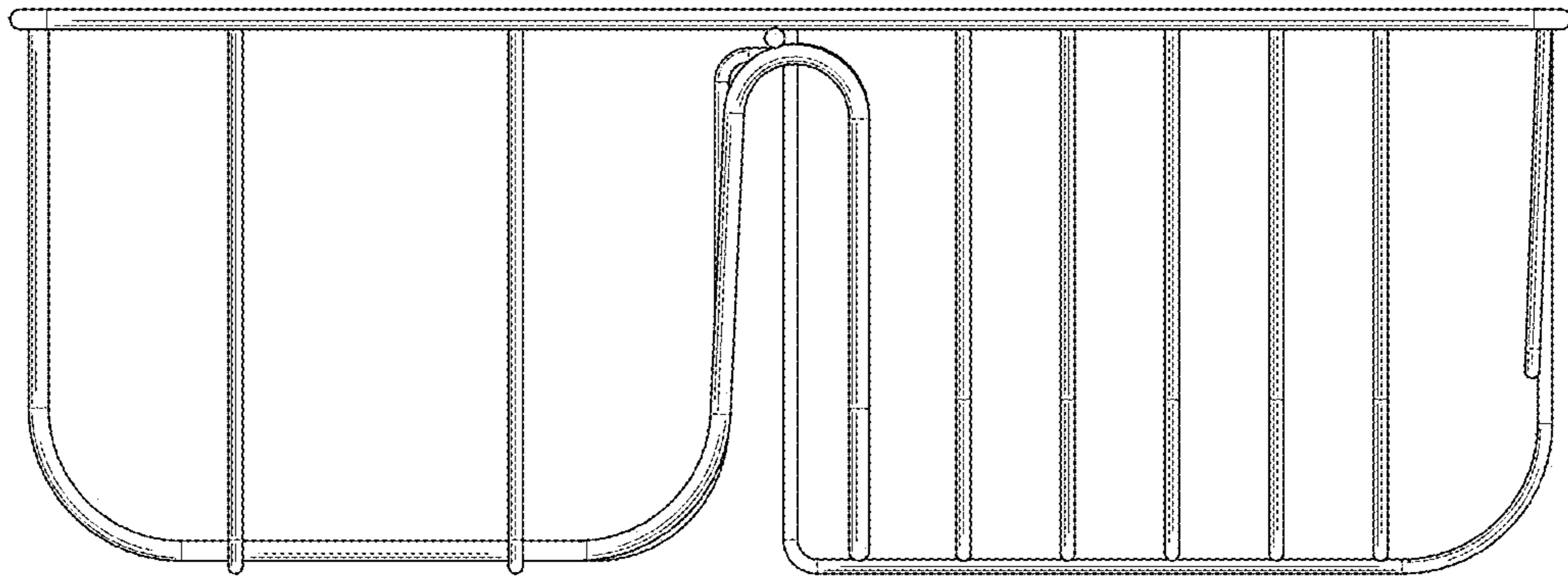


FIG. 2

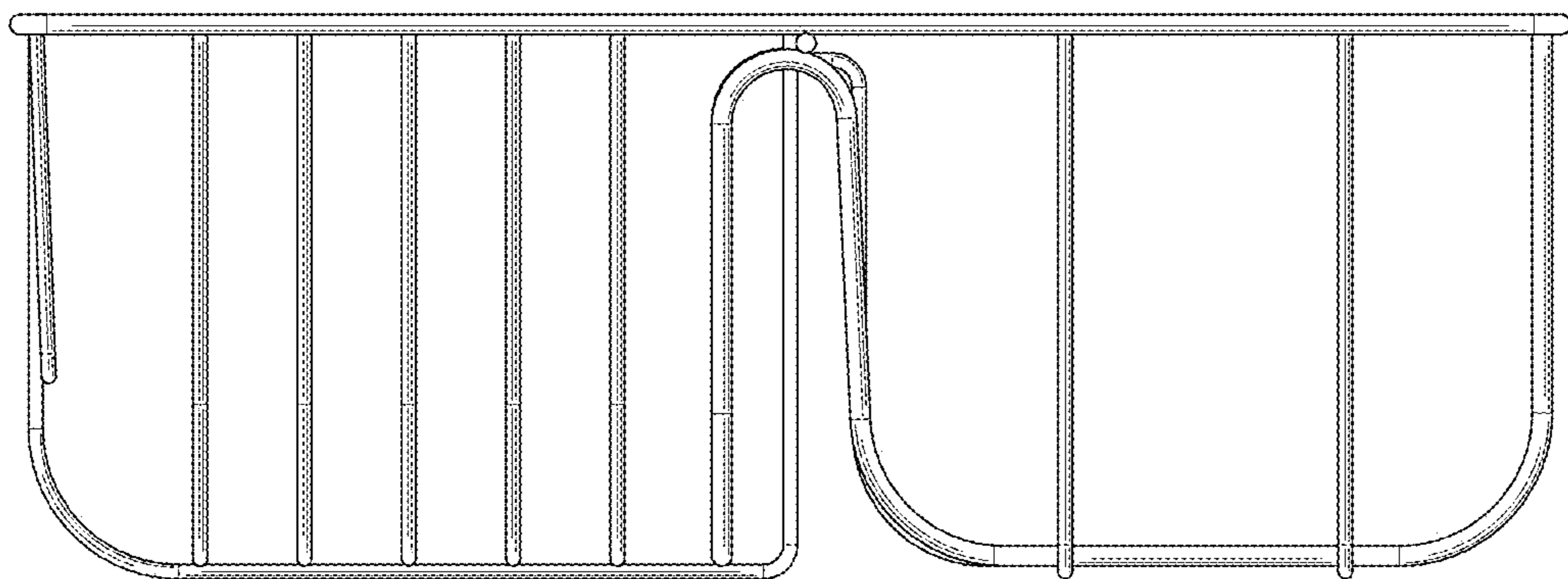


FIG. 3

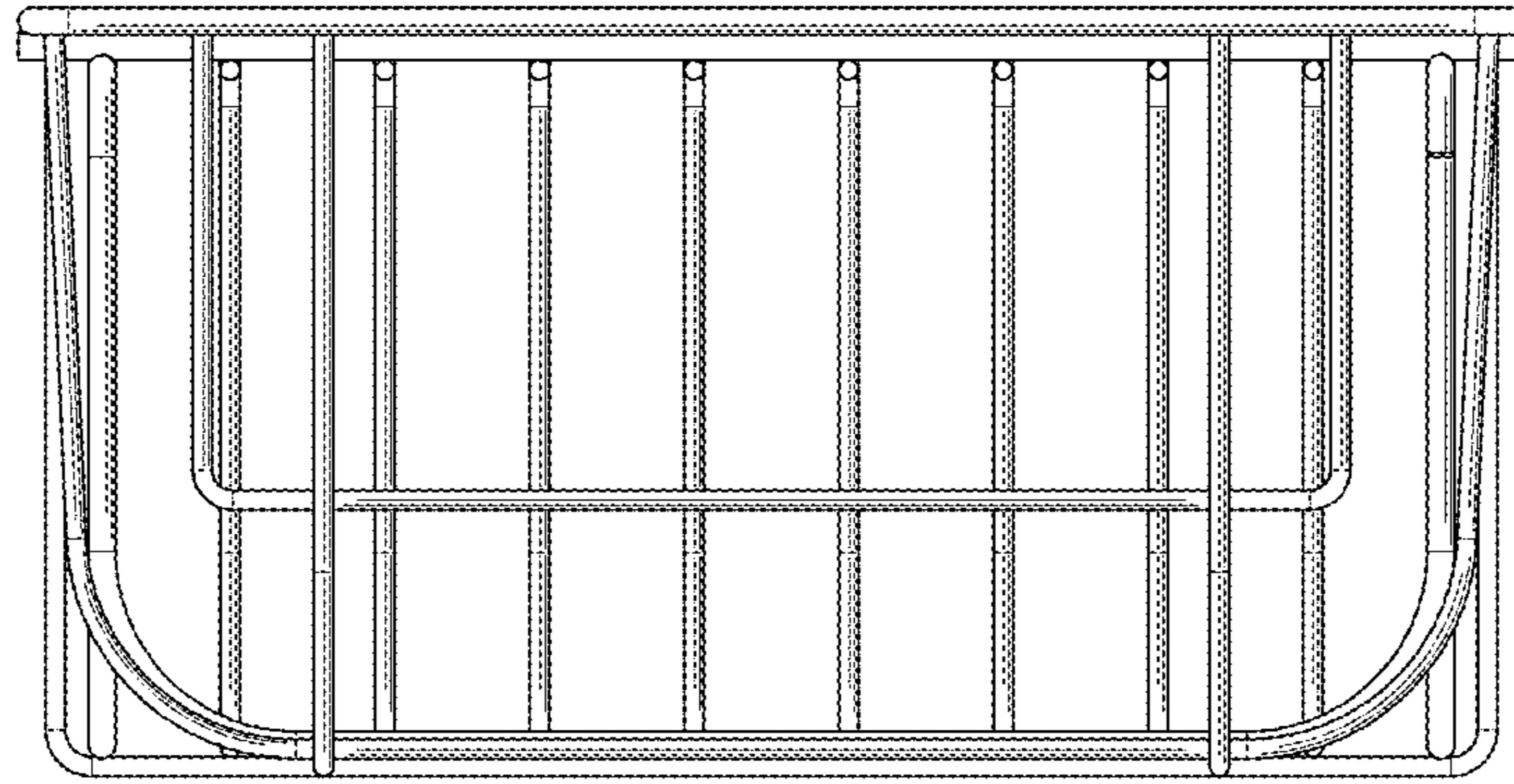


FIG. 4

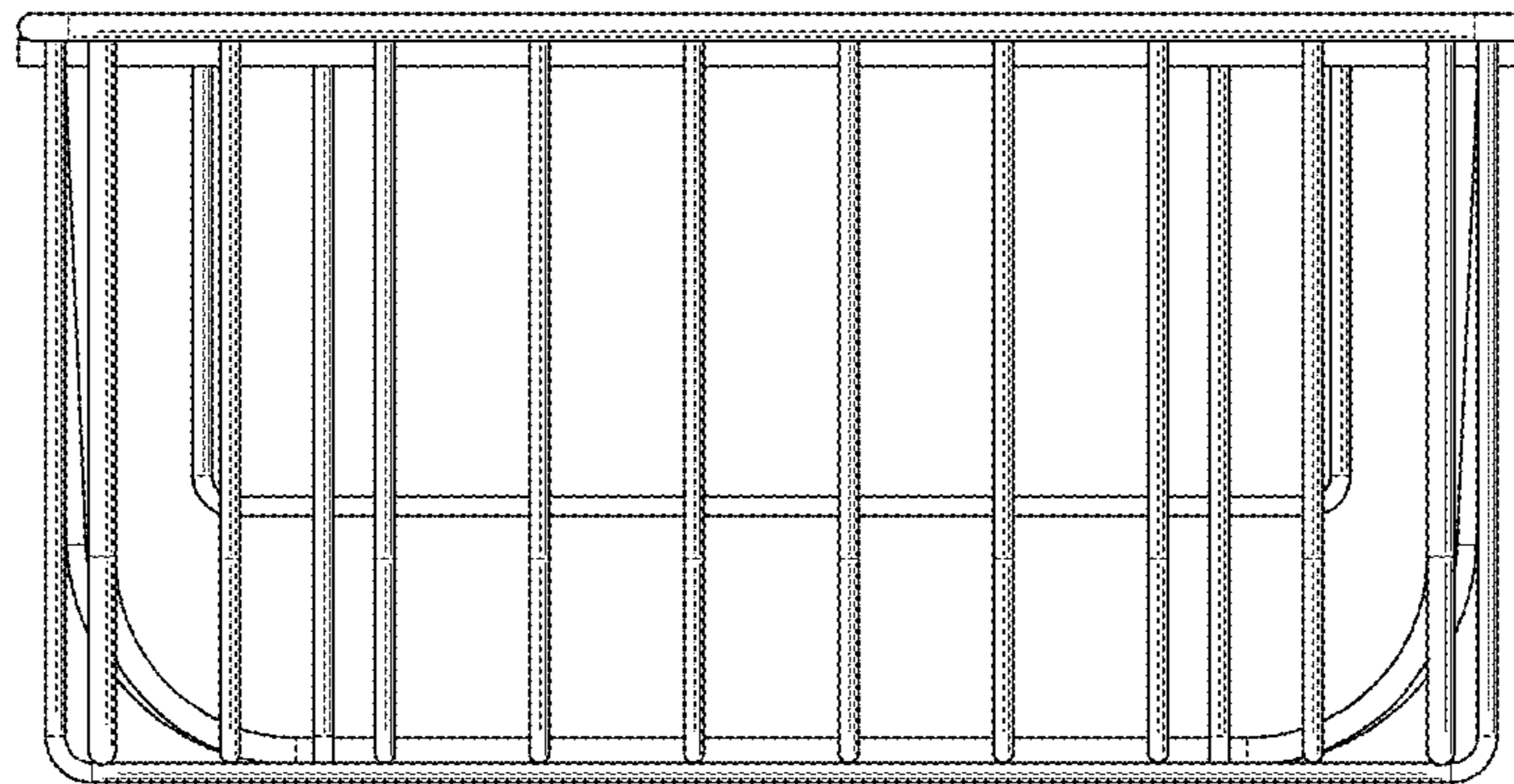


FIG. 5

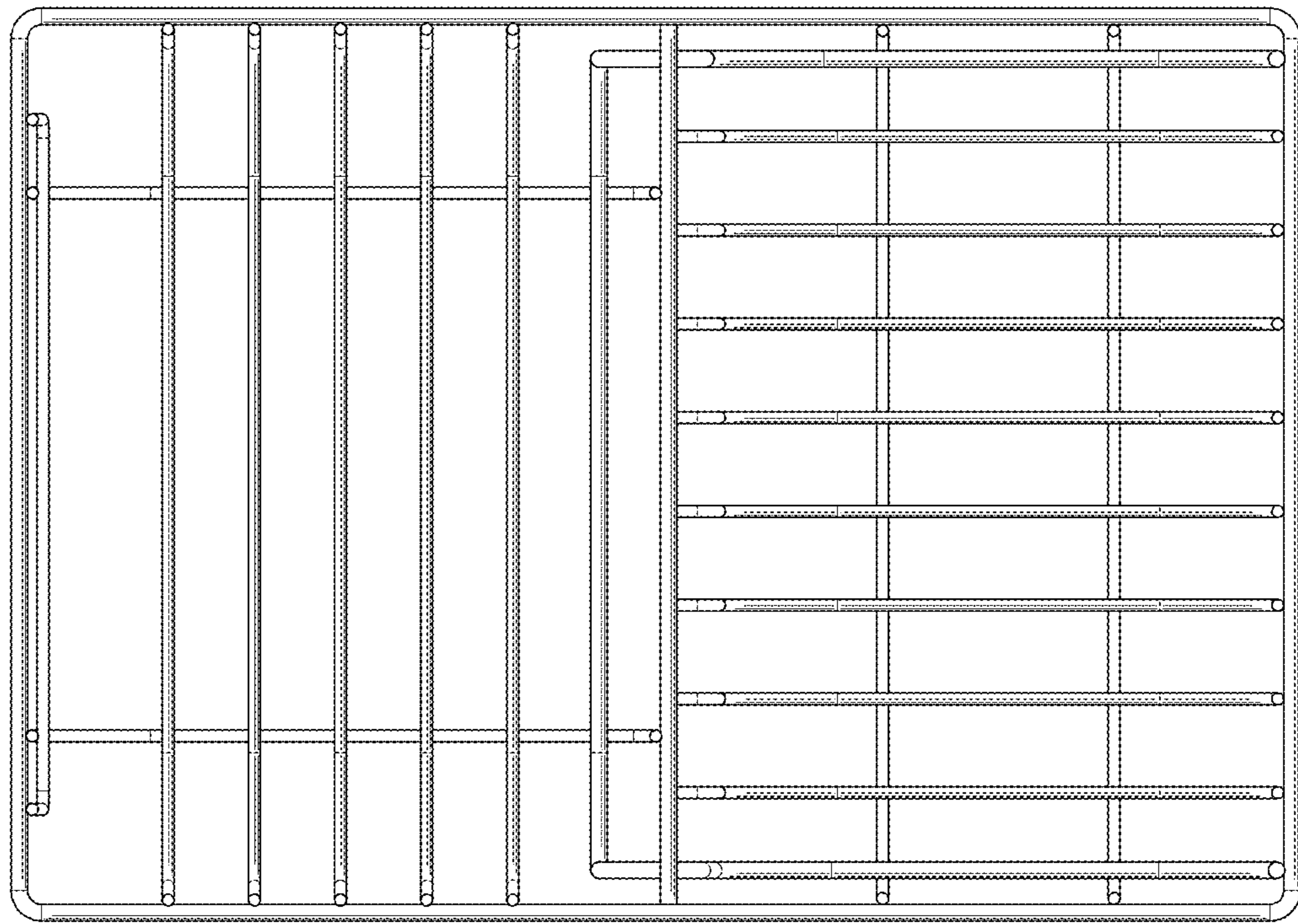


FIG. 6

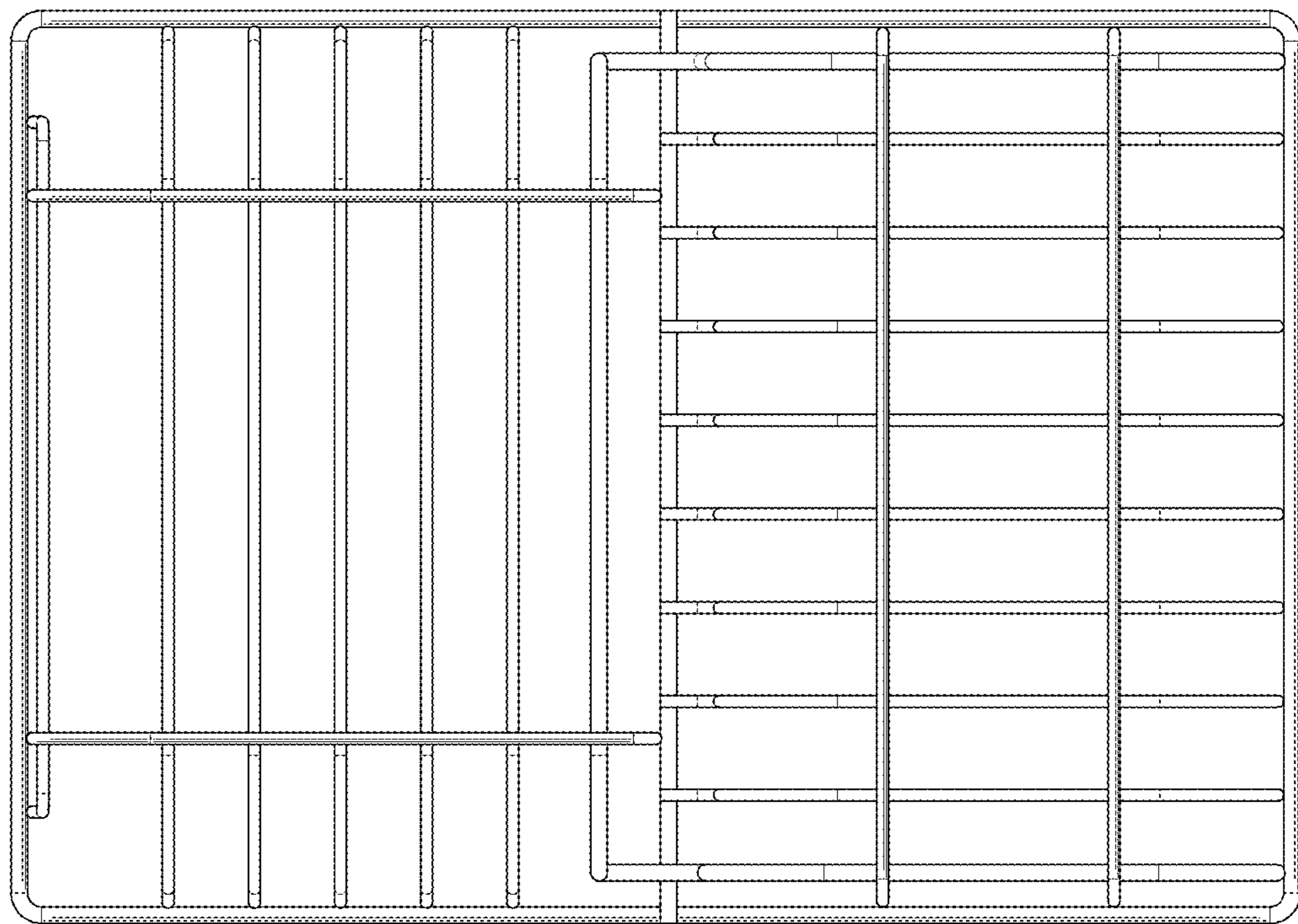


FIG. 7