



US00D966835S

(12) **United States Design Patent**
Fang

(10) **Patent No.:** **US D966,835 S**
(45) **Date of Patent:** **** Oct. 18, 2022**

(54) **CUTTING BOARD**

(71) Applicant: **Kelun Fang**, Guangdong (CN)

(72) Inventor: **Kelun Fang**, Guangdong (CN)

(**) Term: **15 Years**

(21) Appl. No.: **29/818,960**

(22) Filed: **Dec. 12, 2021**

(51) **LOC (13) Cl.** **07-04**

(52) **U.S. Cl.**
USPC **D7/698**

(58) **Field of Classification Search**
USPC .. D7/543, 549, 550.1, 554.3, 586, 698-699;
D32/55-57
CPC A47J 47/00; A47J 47/005; A47J 47/20;
B26D 7/0006; B26D 7/018; B26D 7/20;
B23D 21/00; B23K 37/04; B23K 37/053;
B23Q 16/001; A47B 77/02
See application file for complete search history.

(56) **References Cited**

U.S. PATENT DOCUMENTS

| | | | | | |
|-----------|-----|---------|-------------|-------|--------------------------|
| 4,907,789 | A * | 3/1990 | Tice | | A47J 47/005 269/302.1 |
| D339,507 | S * | 9/1993 | Ancona | | D7/553.4 |
| 5,363,755 | A * | 11/1994 | Liang | | A47B 77/02 99/352 |
| D381,564 | S * | 7/1997 | Kolada | | D7/698 |
| D472,776 | S * | 4/2003 | Porter | | D7/698 |
| D723,882 | S * | 3/2015 | Khuu | | D7/698 |
| D887,228 | S * | 6/2020 | Kwiatkowski | | D7/698 |
| D910,387 | S | 2/2021 | Bhargava | | |
| D920,749 | S * | 6/2021 | Alzheimer | | D7/698 |

| | | | | | |
|--------------|------|---------|-----------|-------|-------------|
| D930,446 | S | 9/2021 | Alzheimer | | |
| D951,726 | S * | 5/2022 | Alzheimer | | D7/698 |
| 2020/0315404 | A1 * | 10/2020 | Alzheimer | | A47J 47/005 |

OTHER PUBLICATIONS

Prosumer's Choice Stovetop Cover Bamboo Cutting Board. Date First Available on Amazon.com Feb. 15, 2017. <https://www.amazon.com/Prosumers-Choice-Dual-purpose-Countertop-adjustable/dp/B06W9JTV44/ref> (Year: 2017).*

* cited by examiner

Primary Examiner — Ricky Pham

(74) *Attorney, Agent, or Firm* — True Shepherd, LLC; Andrew Cheng

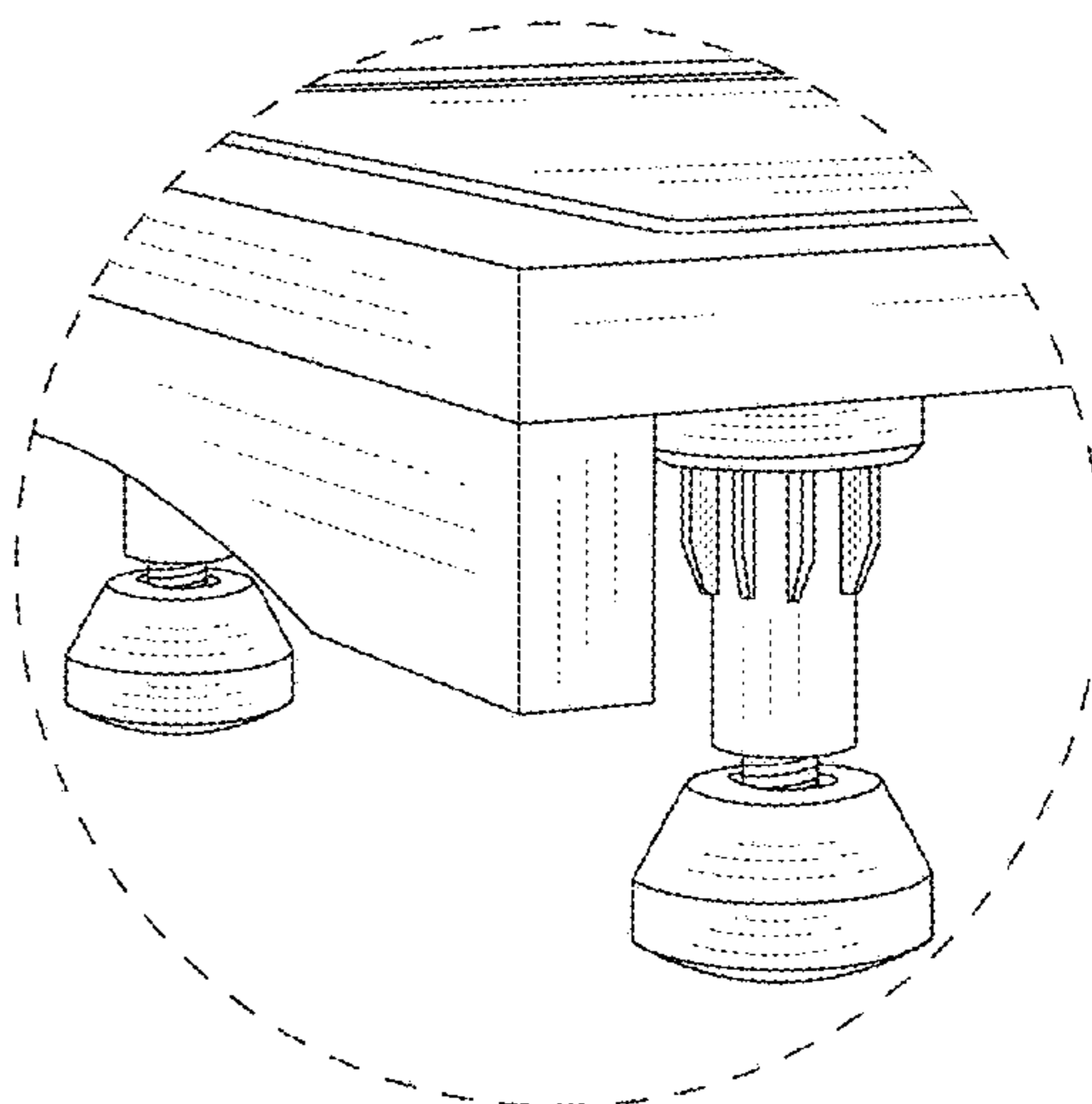
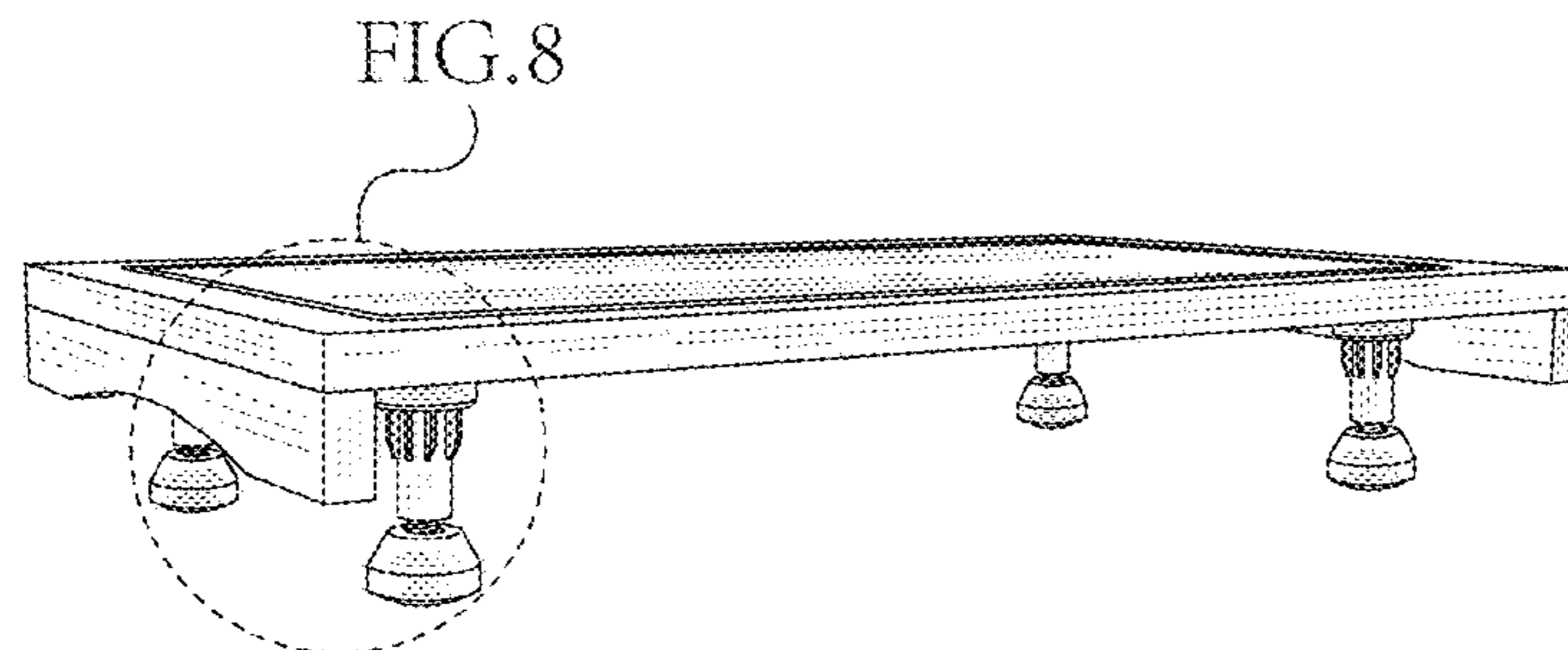
(57) **CLAIM**

The ornamental design for a cutting board, as shown and described.

DESCRIPTION

FIG. 1 is a front, left and bottom perspective view of a cutting board, showing my design.
FIG. 2 is a front elevation view thereof.
FIG. 3 is a rear elevation view thereof.
FIG. 4 is a left side elevation view thereof.
FIG. 5 is a right side elevation view thereof.
FIG. 6 is a top plan view thereof.
FIG. 7 is a bottom plan view thereof; and,
FIG. 8 is a partial enlarged view of an area labeled 8 in FIG. 1 comprising supporting legs.
The broken lines shown in the drawings are included for the purpose of illustrating portions of the cutting board that form no part of the claimed design.

1 Claim, 8 Drawing Sheets



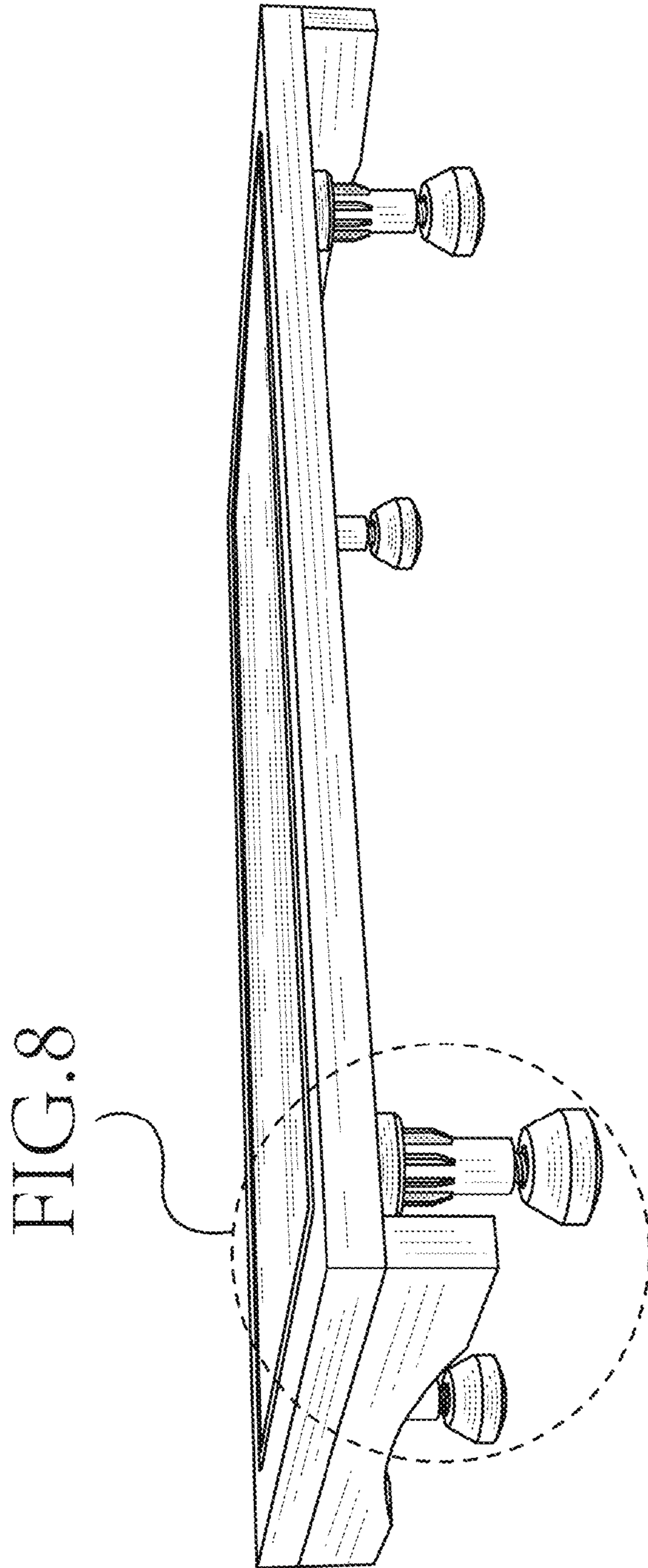


FIG. 1

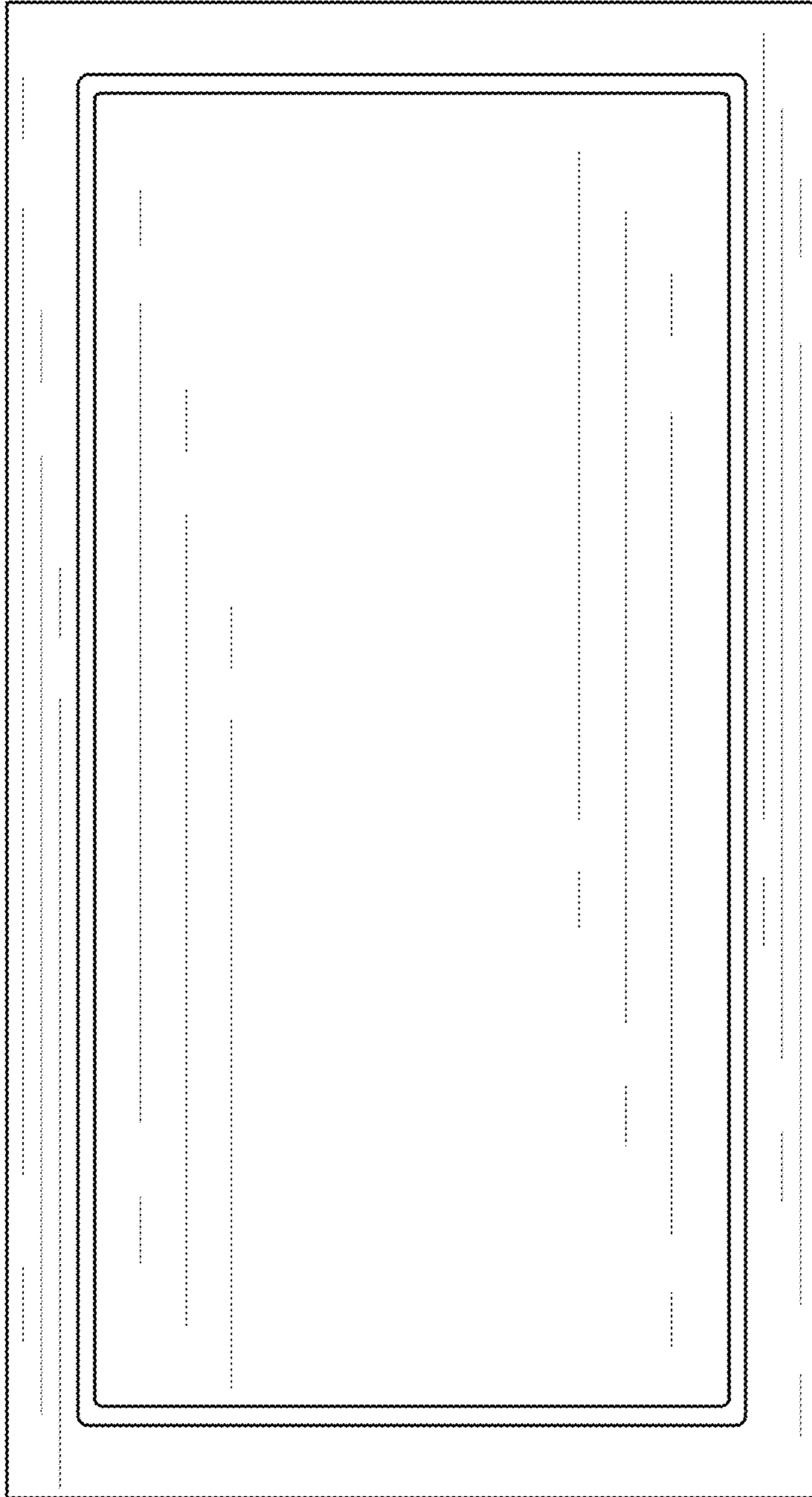


FIG. 2

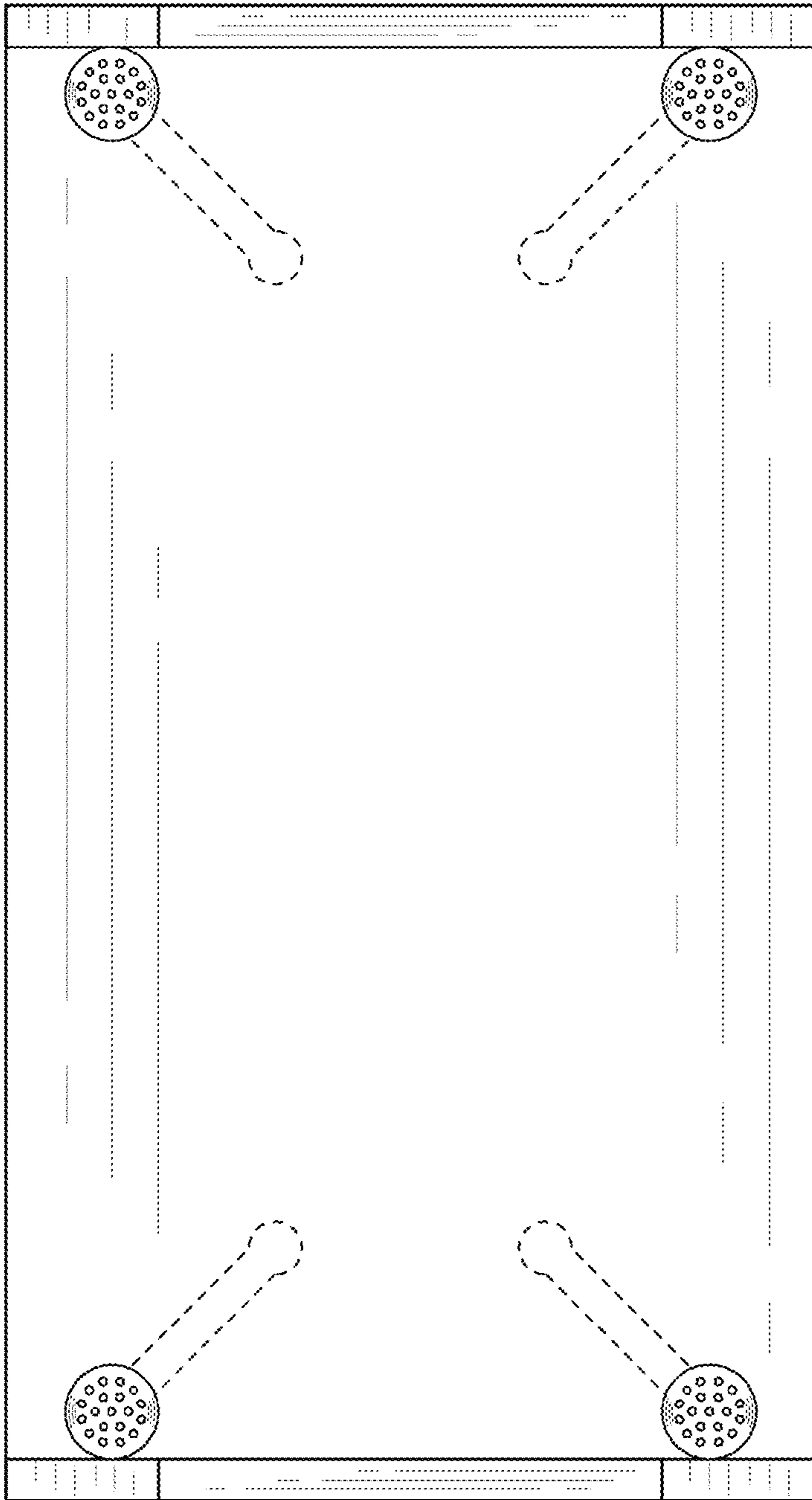


FIG. 3

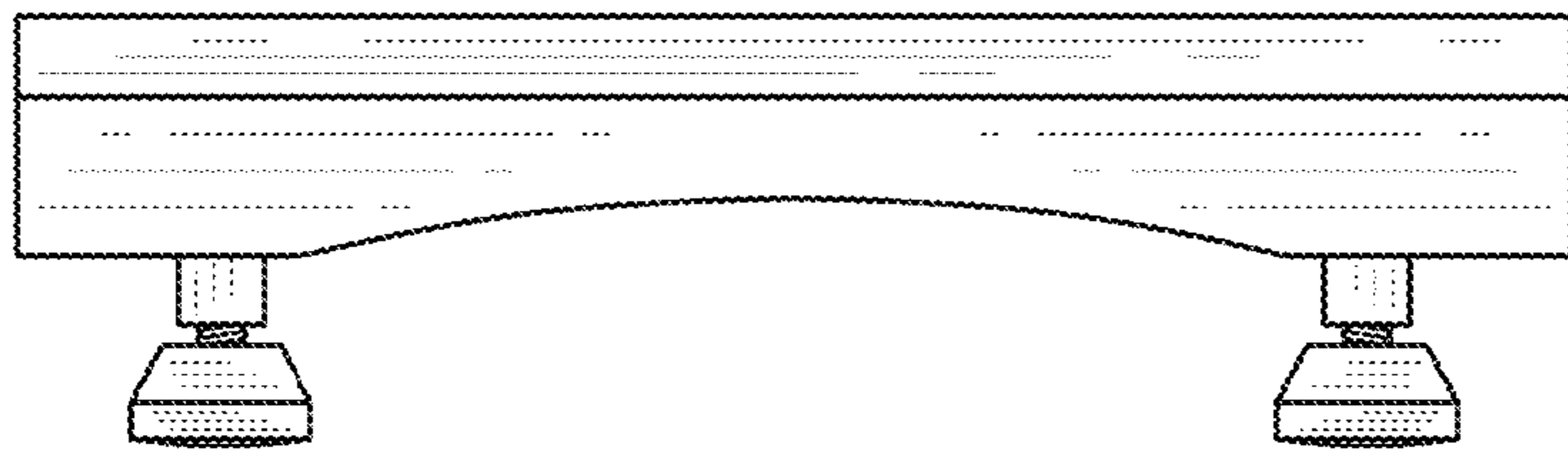


FIG. 4

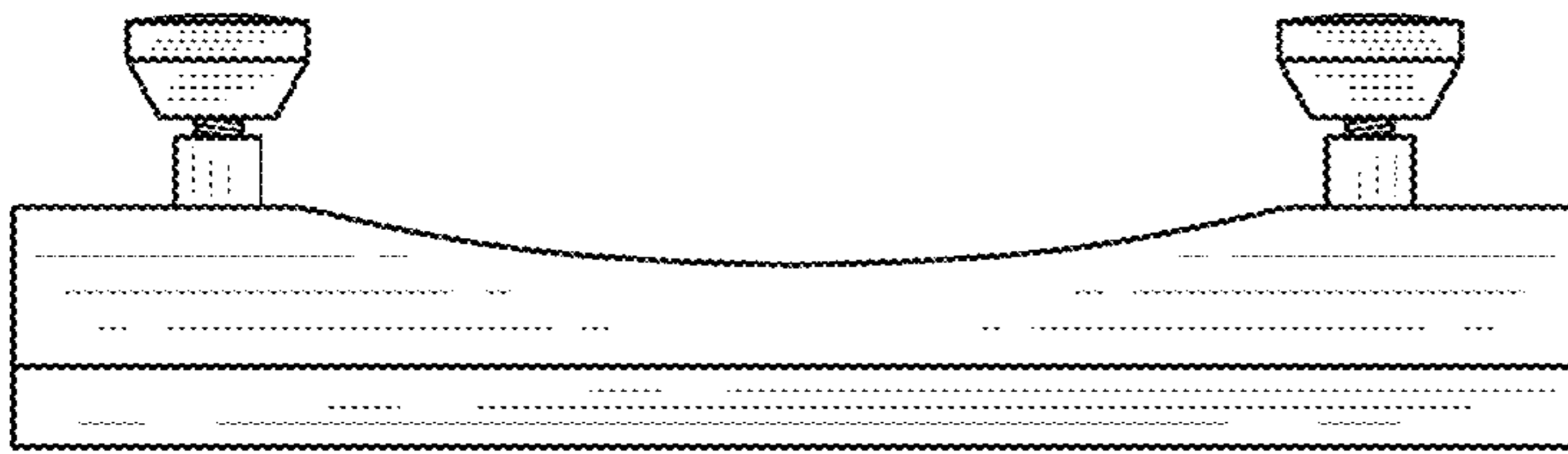


FIG. 5

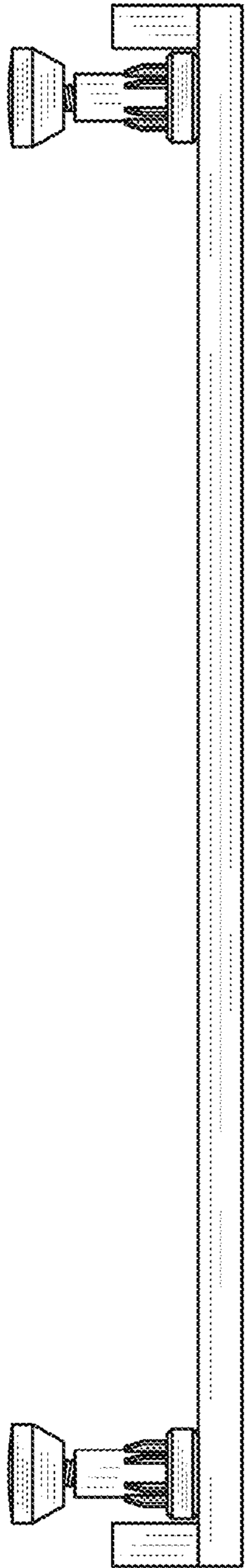


FIG. 6

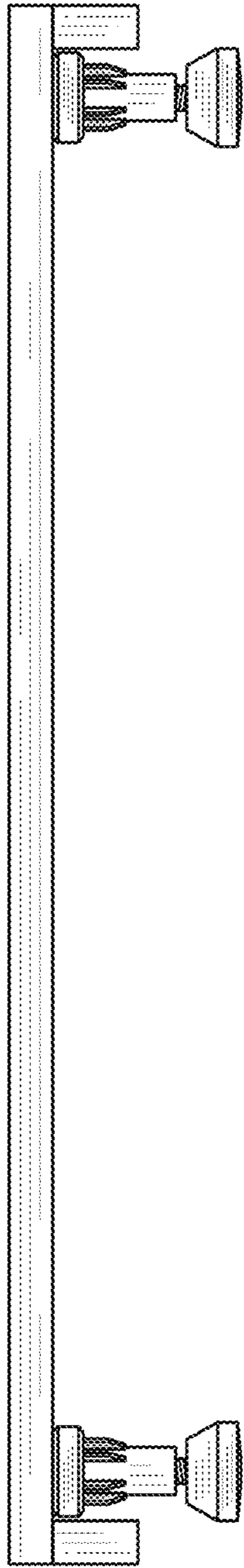


FIG. 7

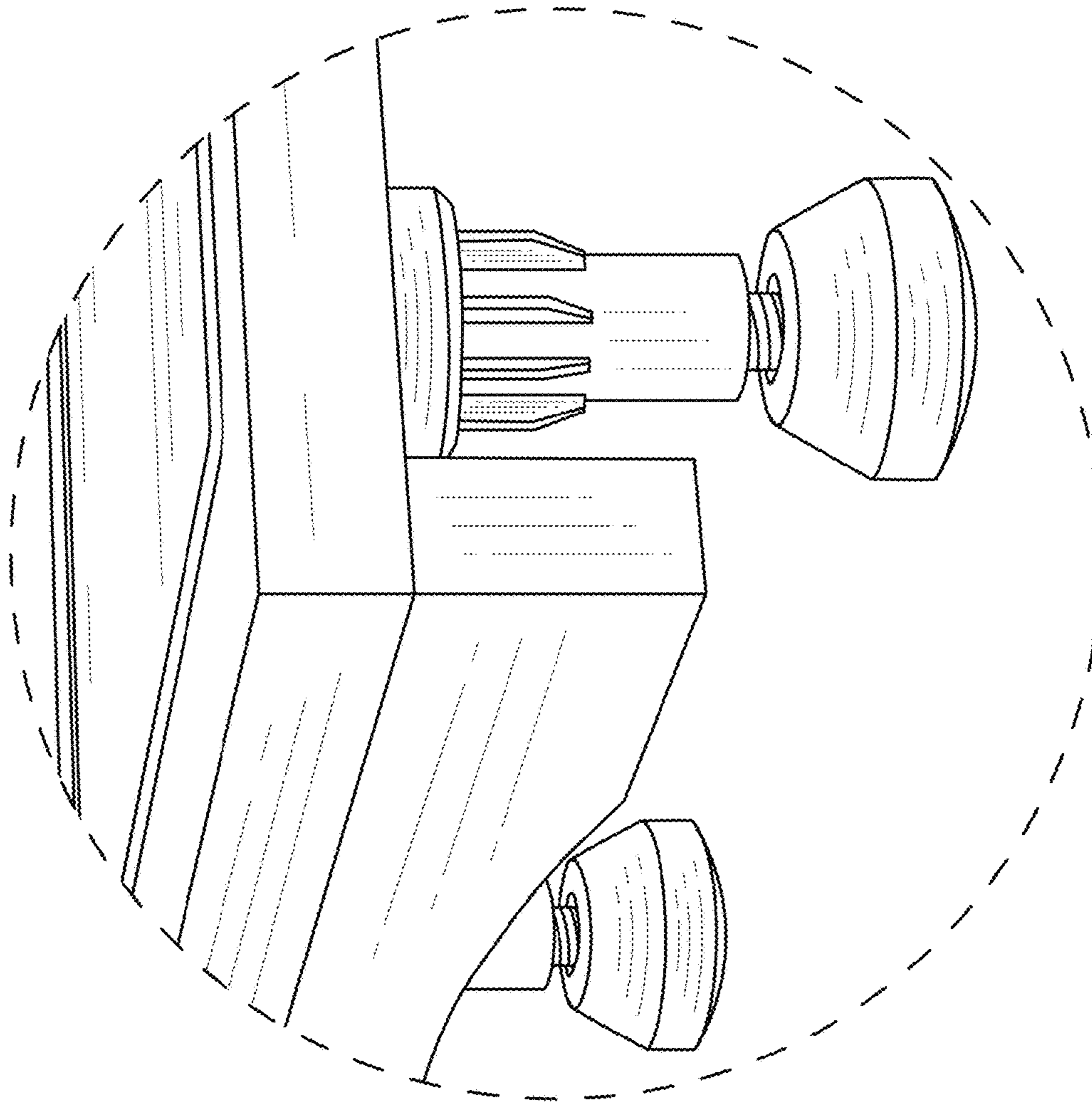


FIG. 8