



US00D966833S

(12) **United States Design Patent**
Goodwin

(10) **Patent No.:** **US D966,833 S**
(45) **Date of Patent:** **** Oct. 18, 2022**

- (54) **CAKE MARKING DEVICE**
- (71) Applicant: **Cynthia Goodwin**, Owensboro, KY
(US)
- (72) Inventor: **Cynthia Goodwin**, Owensboro, KY
(US)
- (**) Term: **15 Years**
- (21) Appl. No.: **29/762,343**
- (22) Filed: **Dec. 16, 2020**
- (51) **LOC (13) Cl.** **07-04**
- (52) **U.S. Cl.**
USPC **D7/673**
- (58) **Field of Classification Search**
USPC D7/352, 354, 362-364, 367, 368, 502,
D7/538, 543, 545, 547, 550.1, 553.1,
D7/553.2, 554.3, 601, 602, 669, 672-678,
D7/693, 696; D8/98; D15/90
CPC A21C 11/10; A21C 11/103; A21C 11/106;
A21C 11/12; A21C 15/04; B26D 3/185;
B26D 3/24; B26D 3/245; B26D 3/26;
B26D 3/283; B26D 2003/285; B26D
2003/286; B26D 2003/287; B26D
2003/288; B26D 2210/02
See application file for complete search history.

- D420,865 S * 2/2000 Levy D7/673
- D446,088 S * 8/2001 Pardee D7/673
- D583,199 S * 12/2008 Johnson D7/698
- D586,626 S * 2/2009 Carrell B26D 3/185
D7/672
- D590,215 S * 4/2009 Carrell B26D 3/185
D7/672
- D632,140 S * 2/2011 Burstein D7/673
- D664,814 S * 8/2012 Lepore A21C 15/04
D7/672
- 10,925,288 B2 * 2/2021 Boulrece A21C 15/04
- 2006/0272162 A1 * 12/2006 Atwater B26B 3/04
30/303
- 2015/0000141 A1 * 1/2015 Owens A21C 15/04
30/114

(Continued)

OTHER PUBLICATIONS

Design No. 136993-0005, Apr. 30, 2010—Swiss Federal Institute of Intellectual Property (CH) Publication Date—Jun. 30, 2010 Owner—Genius GmbH, Designer—Cedomir Repac WIPO, available at <https://www3.wipo.int/designdb/en/index.jsp> (Year: 2010).*

(Continued)

Primary Examiner — Mary Ann Calabrese
Assistant Examiner — Natalya M Rapundalo
(74) *Attorney, Agent, or Firm* — The Iwashko Law Firm, PLLC; Lev Ivan Gabriel Iwashko

(56) **References Cited**

U.S. PATENT DOCUMENTS

- 1,463,941 A * 8/1923 Cusimano B26D 3/185
D7/673
- D105,437 S * 7/1937 La Casse D7/672
- D132,314 S * 5/1942 Melville D7/672
- 2,502,157 A * 3/1950 Klejna B26D 3/185
D7/673
- D298,603 S * 11/1988 White D8/98
- D337,030 S * 7/1993 Amaral D7/672
- D356,718 S * 3/1995 Johannessen D7/673
- D393,184 S * 4/1998 Chambers D7/673
- D400,766 S * 11/1998 Ferguson D7/673

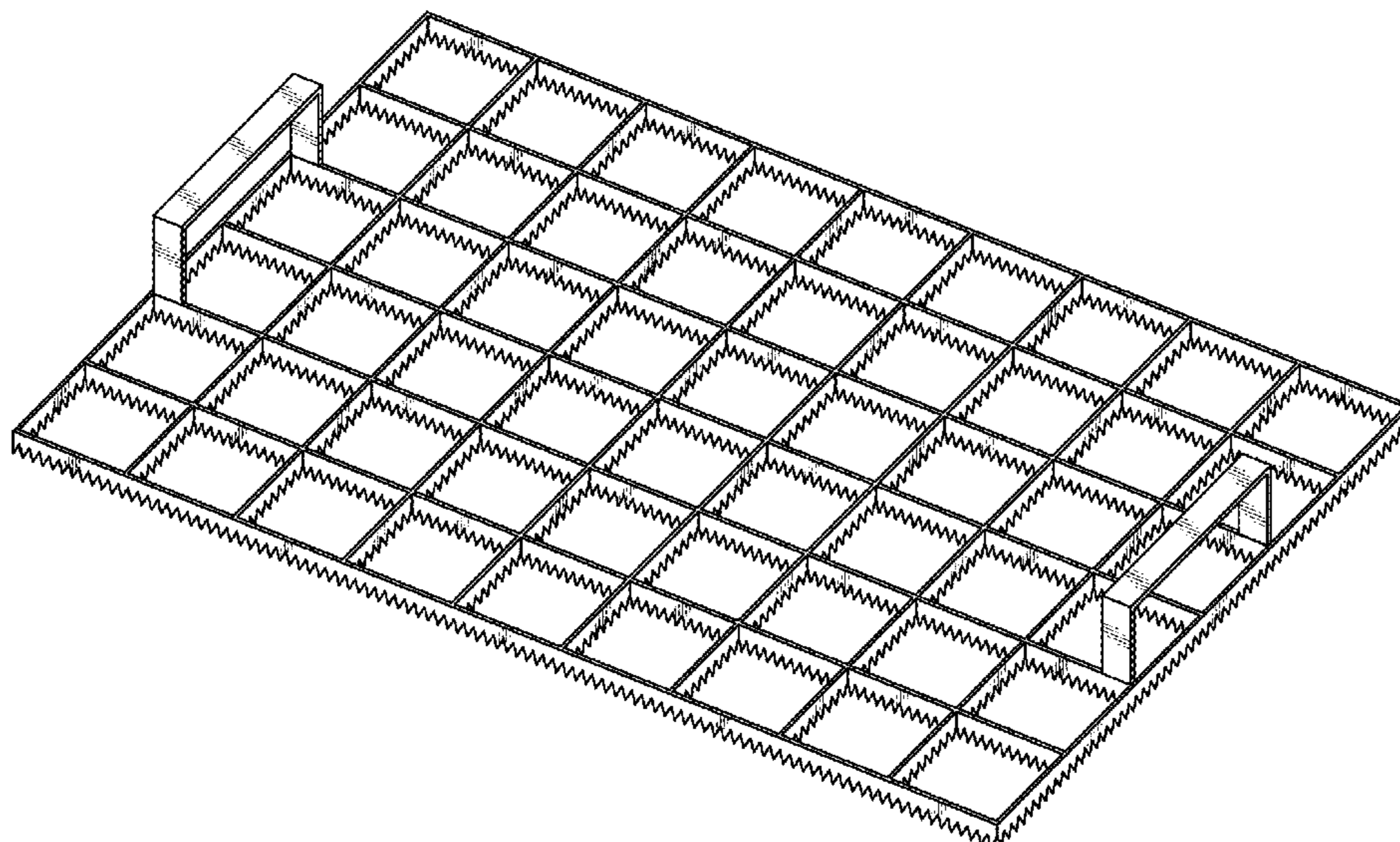
(57) **CLAIM**

The ornamental design for a cake marking device, as shown and described.

DESCRIPTION

FIG. 1 is a top isometric view of a cake marking device showing my new design;
FIG. 2 is a front side view thereof;
FIG. 3 is a right side view thereof; and,
FIG. 4 is a bottom view thereof.

1 Claim, 4 Drawing Sheets



(56)

References Cited

U.S. PATENT DOCUMENTS

2021/0321629 A1* 10/2021 Goodwin A21C 15/04

OTHER PUBLICATIONS

Winco CKM-610, 6x10 Stainless Steel Portion Sheet Cake Marker, Amazon, [online], [site visited May 23, 2022], Available from internet URL: <https://www.amazon.com/Winco-CKM-610-Stainless-Rectangular-Portioner/dp/B01J1OKZ82> (Year: 2022).*

* cited by examiner

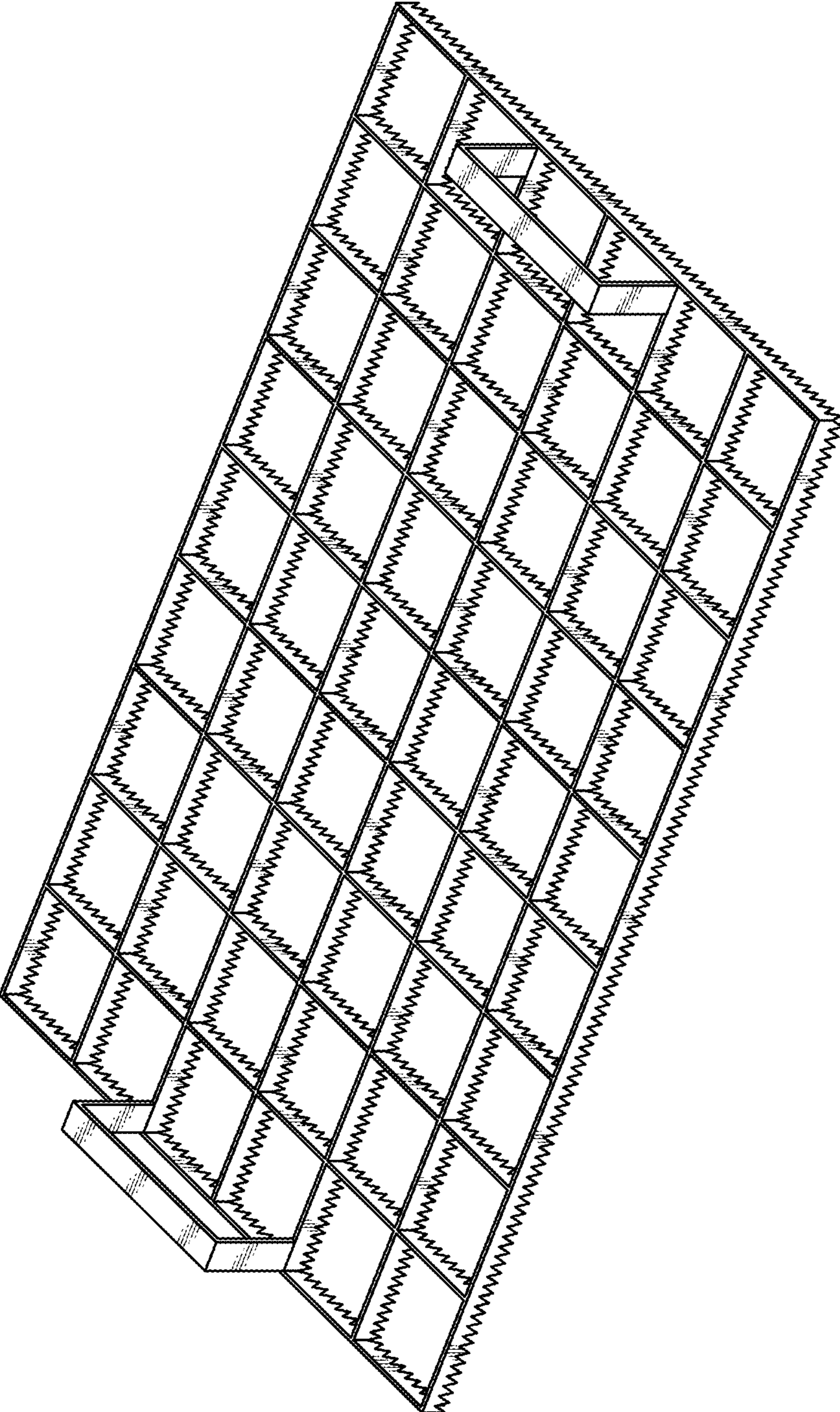


FIG. 1

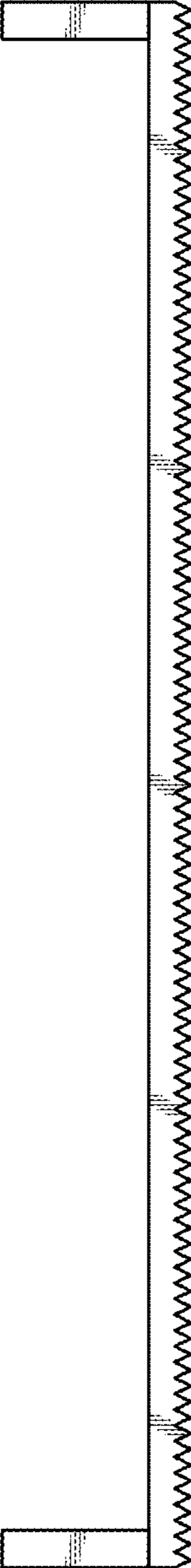


FIG. 2

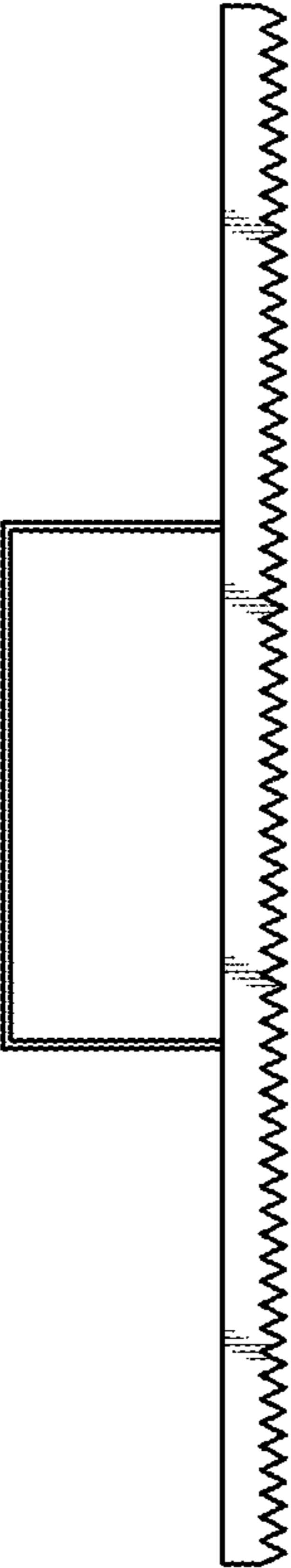


FIG. 3

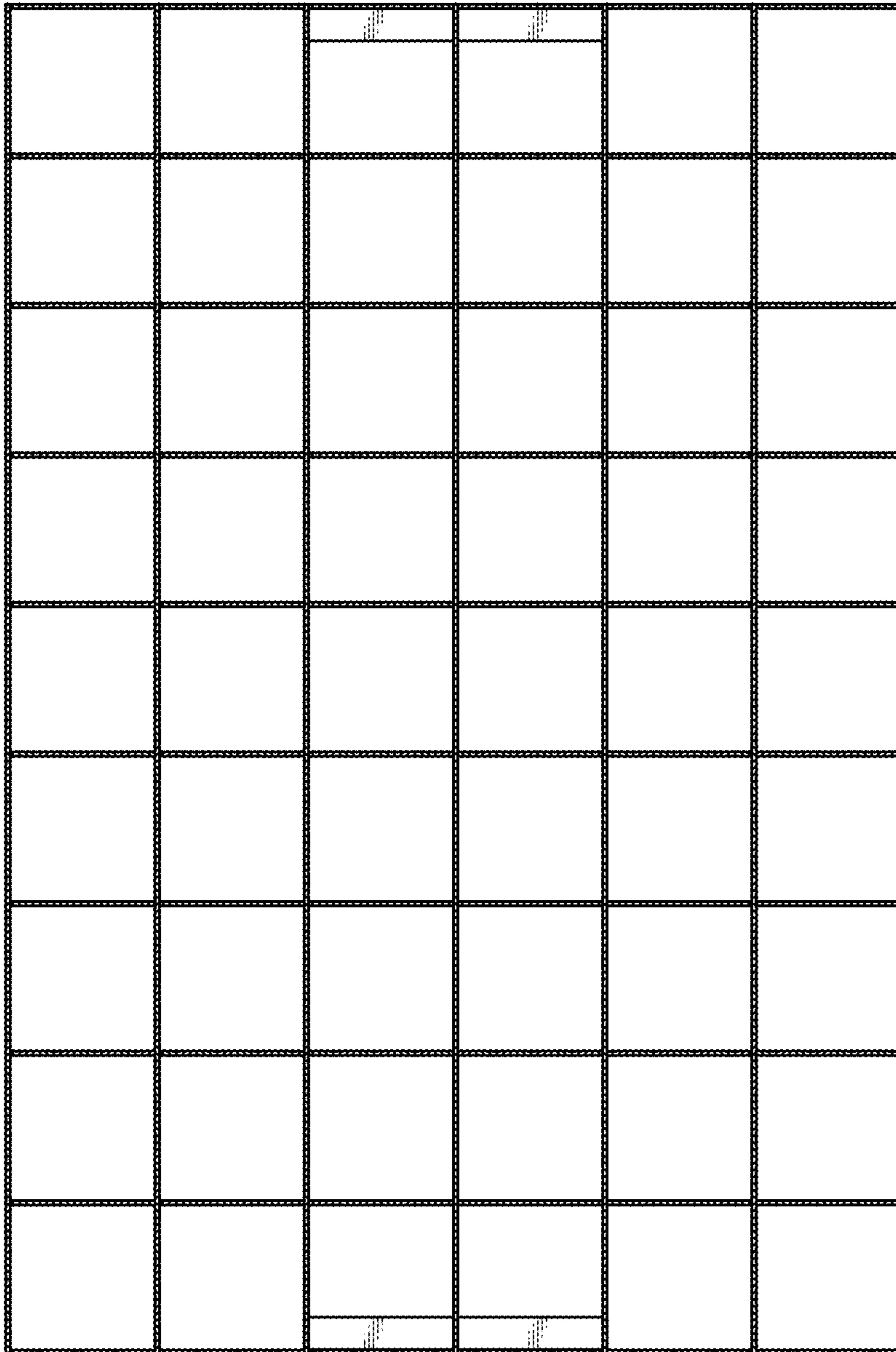


FIG. 4