



US00D966830S

(12) **United States Design Patent**
Holmes et al.

(10) **Patent No.:** **US D966,830 S**
(45) **Date of Patent:** **** *Oct. 18, 2022**

- (54) **LIDDED CONTAINER**
- (71) Applicant: **Sistema Plastics Limited**, Auckland (NZ)
- (72) Inventors: **Raymond Holmes**, Auckland (GB); **Cameron Lindsay**, Auckland (NZ)
- (73) Assignee: **SISTEMA PLASTICS LIMITED**, Auckland (NZ)

7,090,089 B2 * 8/2006 Lown B65D 43/0218
220/324
D544,762 S * 6/2007 Zimmerman D7/629
D646,127 S * 10/2011 Lindsay D7/629
(Continued)

FOREIGN PATENT DOCUMENTS

CA 101608 * 5/2004
CN ZL201230324579.9 2/2013
(Continued)

(*) Notice: This patent is subject to a terminal disclaimer.

(**) Term: **15 Years**

(21) Appl. No.: **29/744,664**

(22) Filed: **Jul. 30, 2020**

(30) **Foreign Application Priority Data**

Jan. 30, 2020 (NZ) 427057

(51) **LOC (13) Cl.** **09-07**

(52) **U.S. Cl.**
USPC **D7/629**

(58) **Field of Classification Search**
USPC D7/294, 319, 360, 368, 392.1, 420,
D7/548-549, 555, 601-603, 605,
D7/629-630, 637, 708.1; D9/414-416,
D9/424-425, 430-432, 759-761; D3/309
CPC B65D 81/24; B65D 1/18; B65D 2581/34;
B65D 2581/00; B65D 1/36; B65D 5/2066
See application file for complete search history.

(56) **References Cited**

U.S. PATENT DOCUMENTS

D481,910 S * 11/2003 Kim D7/629
D489,530 S 5/2004 Lindsay

OTHER PUBLICATIONS

Match-Ups Clips Food Storage Container, Decor, amazon.com, published by Décor, first available on Sep. 19, 2018 © 1996-2021 Amazon.com, Inc., online, site visited Sep. 23, 2021. Available from Internet, URL: <https://www.amazon.com/Decor-231900-006-Match-ups-Clips-Storage/dp/B07FBCTPW4> (Year: 2018).*

(Continued)

Primary Examiner — Holly E Thurman
Assistant Examiner — Altaira J Swangin

(74) *Attorney, Agent, or Firm* — McCarter & English, LLP

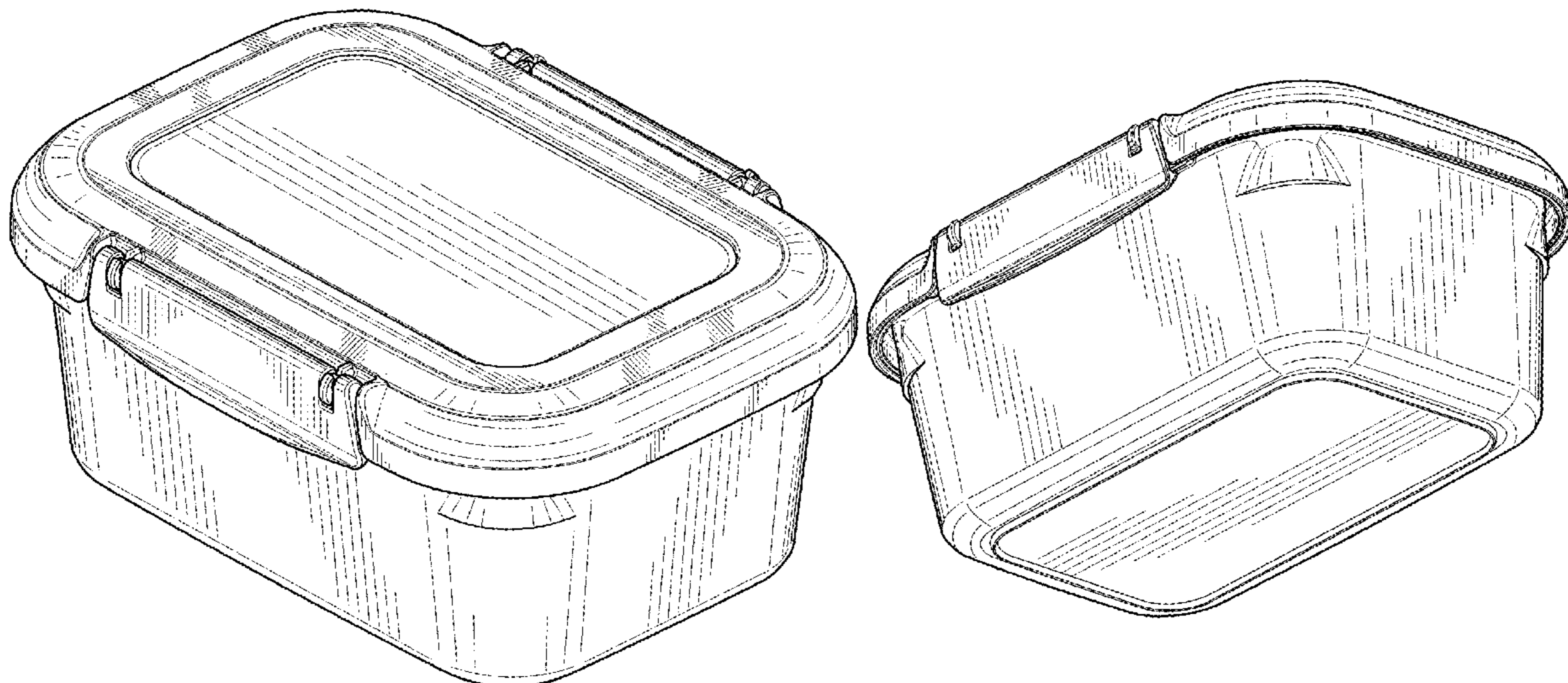
(57) **CLAIM**

The ornamental design for a lidded container, as shown and described.

DESCRIPTION

FIG. 1 is a top front perspective view of a lidded container; FIG. 2 is a bottom front perspective view of the lidded container of FIG. 1; FIG. 3 is a front view of the lidded container of FIG. 1; FIG. 4 is a rear view of the lidded container of FIG. 1; FIG. 5 is a right side view of the lidded container of FIG. 1; FIG. 6 is a left side view of the lidded container of FIG. 1; FIG. 7 is a top view of the lidded container of FIG. 1; and, FIG. 8 is a bottom view of the lidded container of FIG. 1.

1 Claim, 8 Drawing Sheets



(56)

References Cited

U.S. PATENT DOCUMENTS

D652,265 S * 1/2012 Lindsay D7/629
 D652,686 S * 1/2012 Lindsay D7/629
 D706,084 S * 6/2014 Manley D7/629
 D708,913 S * 7/2014 Ng D7/629
 D758,806 S * 6/2016 Morales D7/629
 D763,629 S * 8/2016 Swartz D7/629
 D790,219 S * 6/2017 Huang D3/276
 D796,266 S * 9/2017 Croft D7/538
 D815,924 S * 4/2018 Croft D7/629
 D816,415 S * 5/2018 Li D7/542
 10,173,826 B2 * 1/2019 Sexton B65D 45/18
 D904,134 S * 12/2020 Choi D7/629
 D921,444 S * 6/2021 Lindsay D7/629
 D921,445 S * 6/2021 Lindsay D7/629
 D938,783 S * 12/2021 Whitehead D7/605
 D941,142 S * 1/2022 Lau D9/425
 D944,640 S * 3/2022 Wu D9/425
 D948,965 S * 4/2022 Guo D7/629
 D953,856 S * 6/2022 Glassman D9/416
 D956,483 S * 7/2022 Nam D7/629
 2017/0166383 A1 * 6/2017 Moon B65D 81/2015
 2020/0010259 A1 * 1/2020 Ganahl B65D 81/3484
 2022/0119152 A1 * 4/2022 Blankinship B65D 43/169
 2022/0161972 A1 * 5/2022 Dominion B65D 51/20

FOREIGN PATENT DOCUMENTS

CN 304234782 * 8/2017
 CN 304924298 * 12/2018

OTHER PUBLICATIONS

1L Rectangle Klip It Food Storage Container, Sistema, sistemoplastics.com, author unlisted, published on Sep. 19, 2020 per wayback machine © 2021 Sistema Plastics, online, site visited Sep. 23, 2021. Available from Internet, URL: <https://sistemoplastics.com/products/klip-it-rectangular/1l-rectangle> (Year: 2020).*

1 Litre Food Storage Container, Sistema, amazon.com, published by Sistema, first available on Mar. 19, 2015 © 1996-2021 Amazon.com, Inc., online, site visited Sep. 29, 2021. Available from Internet, URL: https://www.amazon.com/Sistema-Litre-Polypropylene-Storage-Container/dp/B00HNLK8T2/ref=sr_1_181?dchild=1&keywords=sistema&qid=1632967702&sr=8-181 (Year: 2015).*

Brilliance Storage Container, Rubbermaid, walmart.com, author unlisted, published on Aug. 4, 2020 © 2021 Walmart, online, site visited Sep. 29, 2021. Available from Internet, URL: <https://www.walmart.com/ip/Rubbermaid-Brilliance-Food-Storage-Containers-18-Piece-Set/374258178> (Year: 2020).*

* cited by examiner

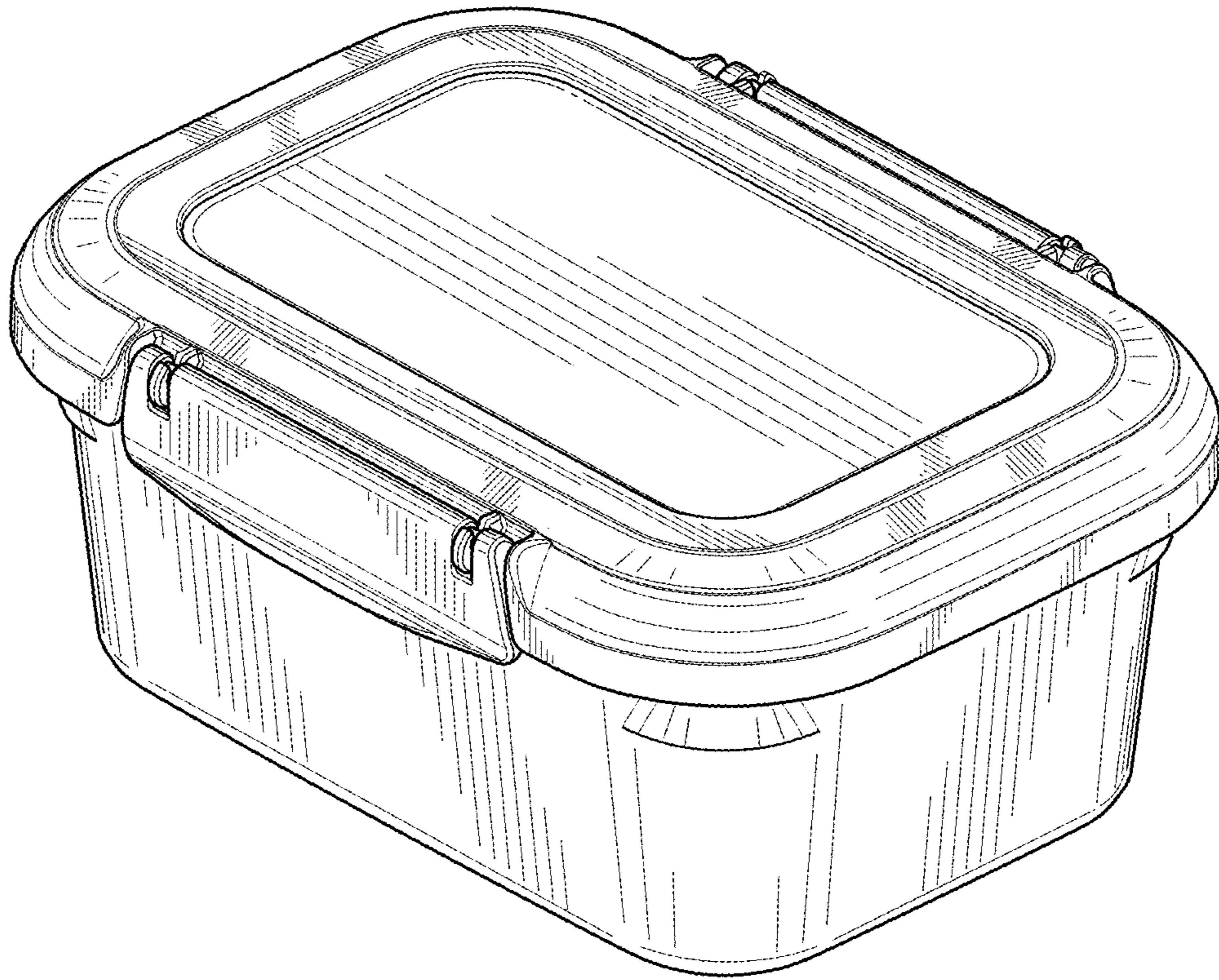


Fig 1

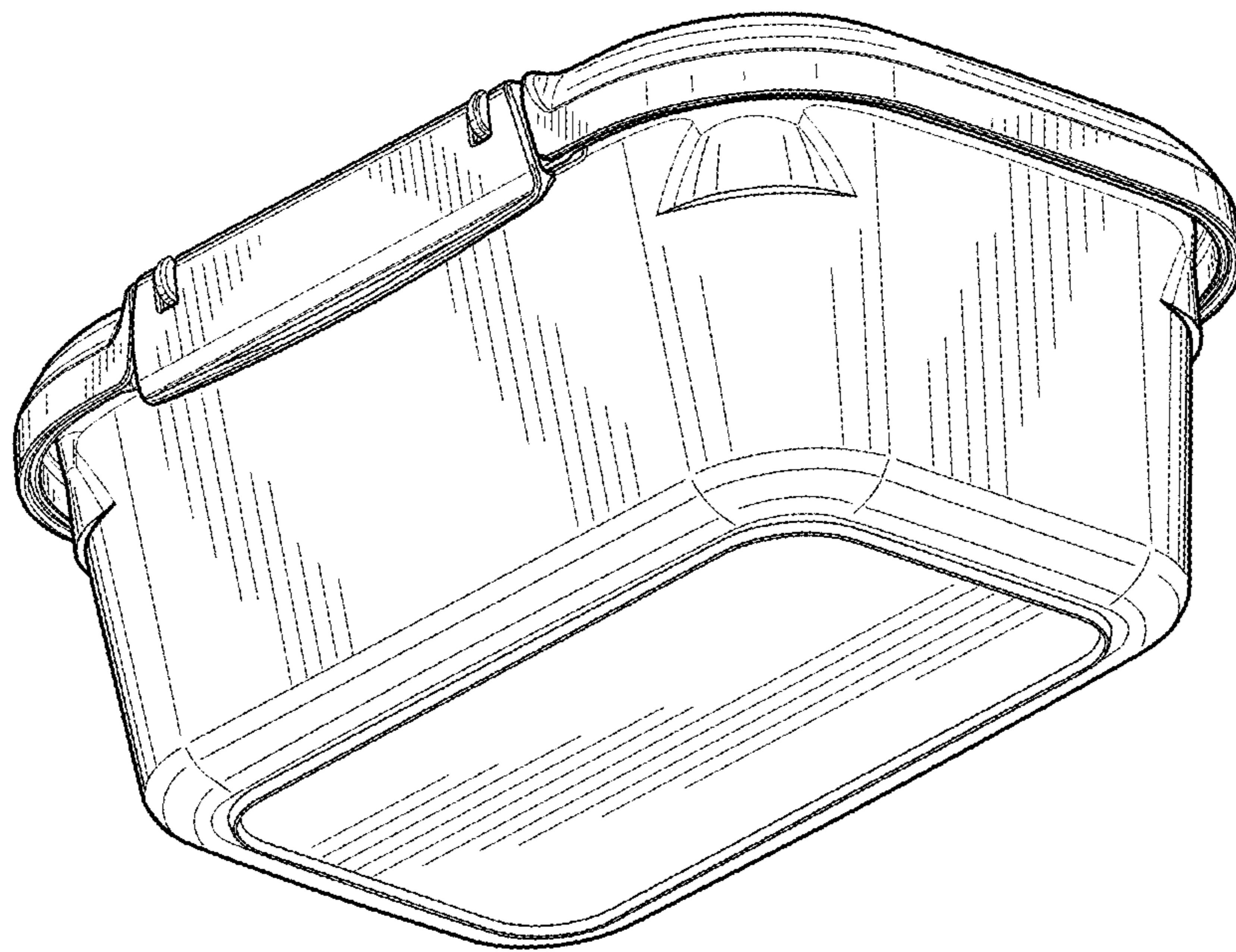


Fig 2

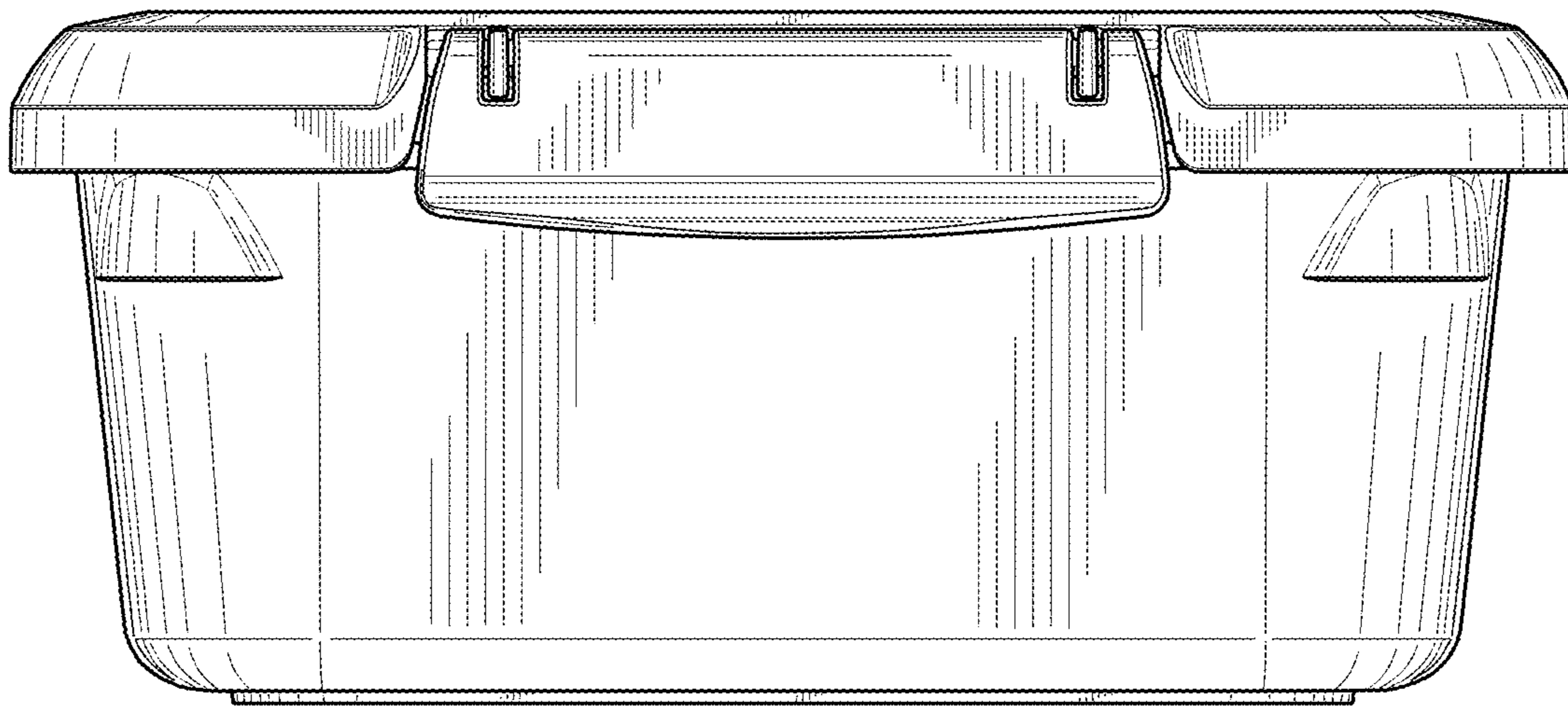


Fig 3

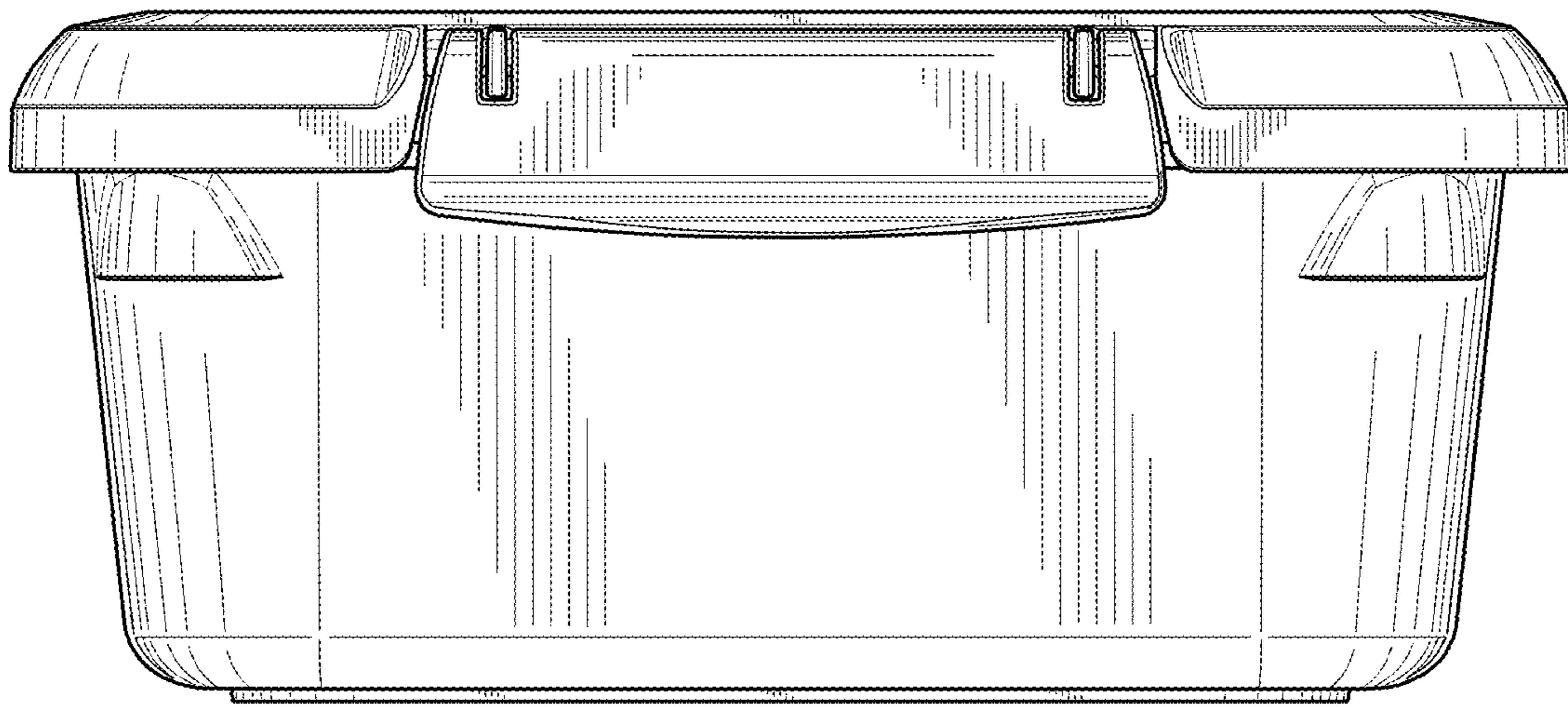


Fig 4

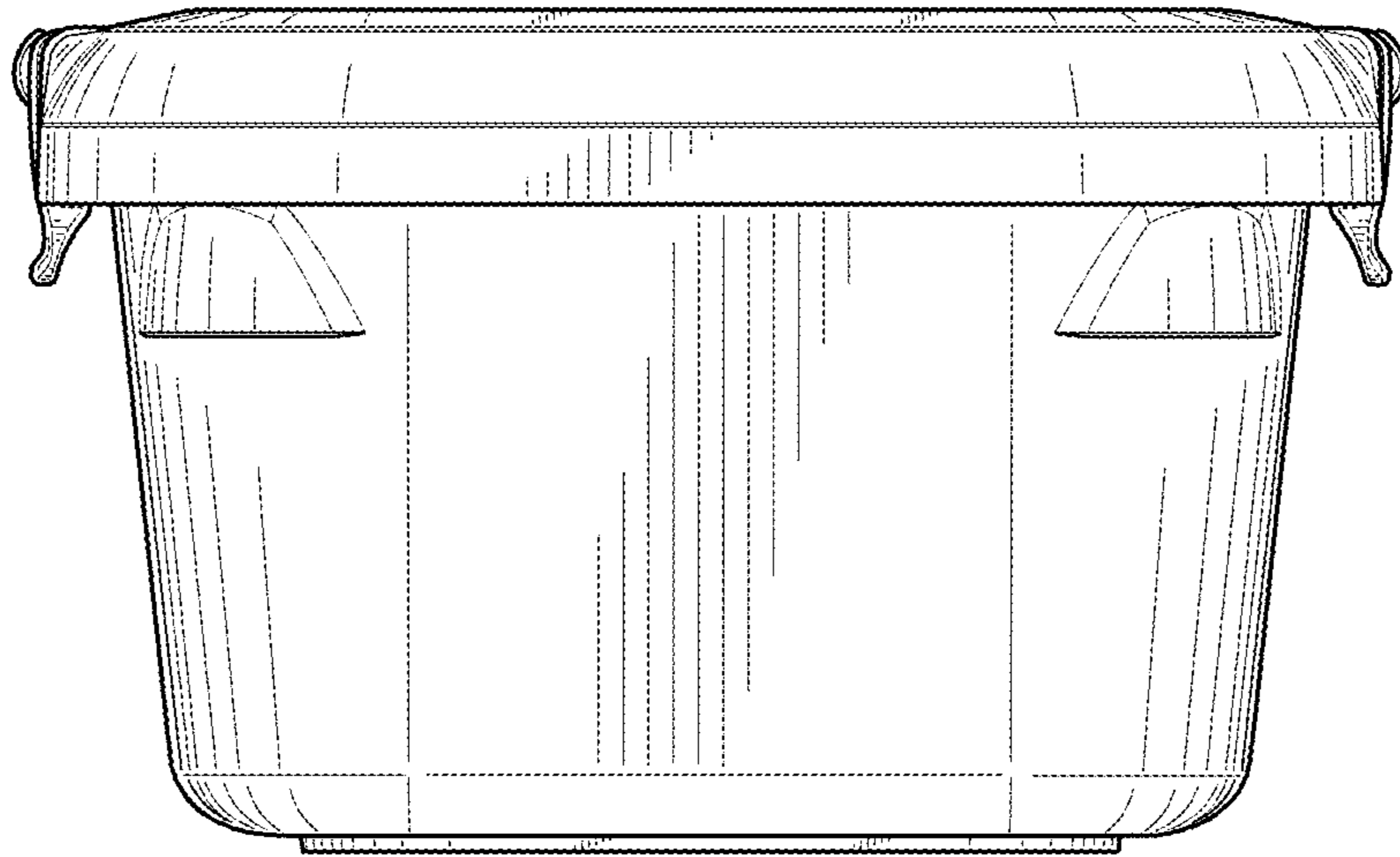


Fig 5

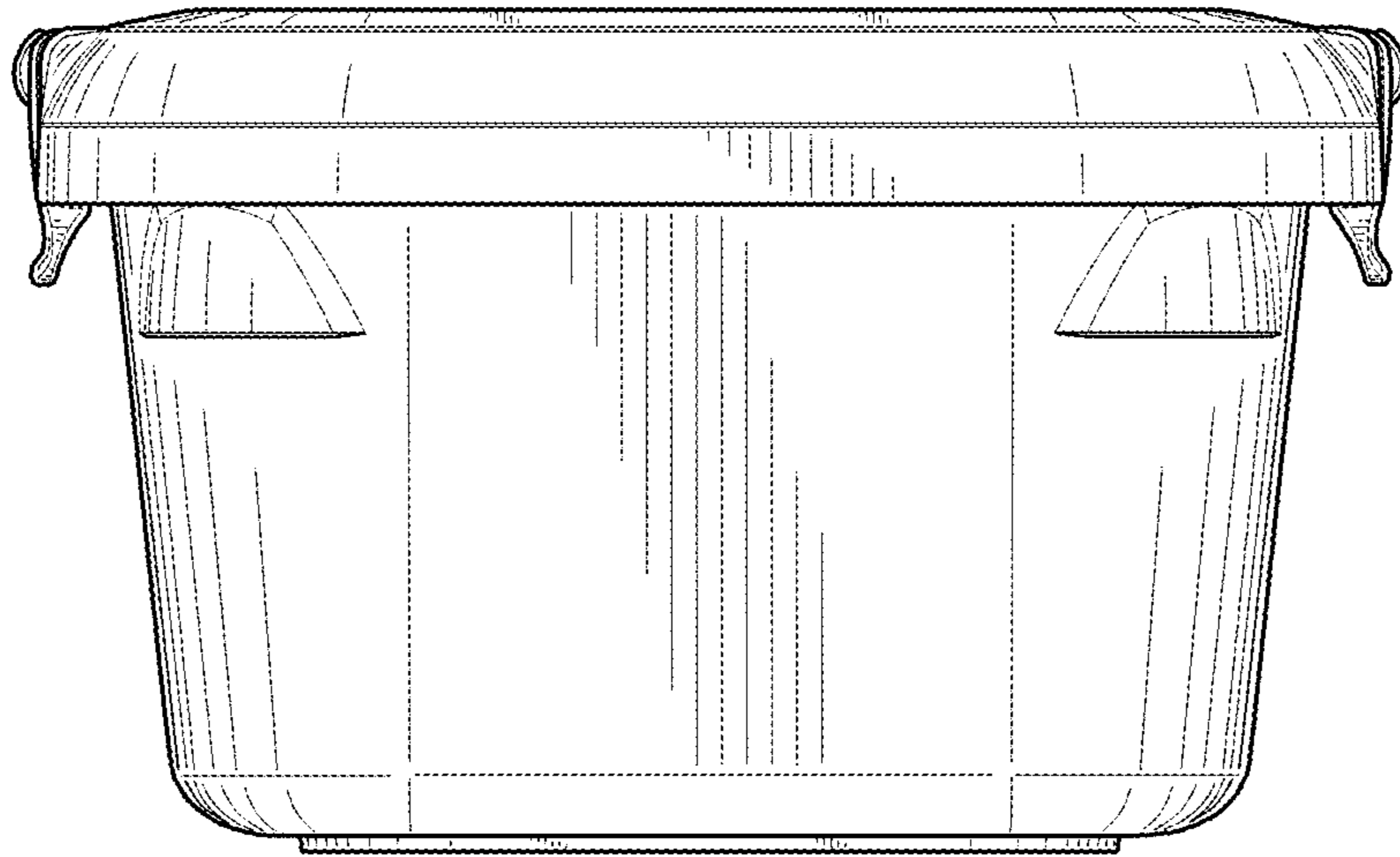


Fig 6

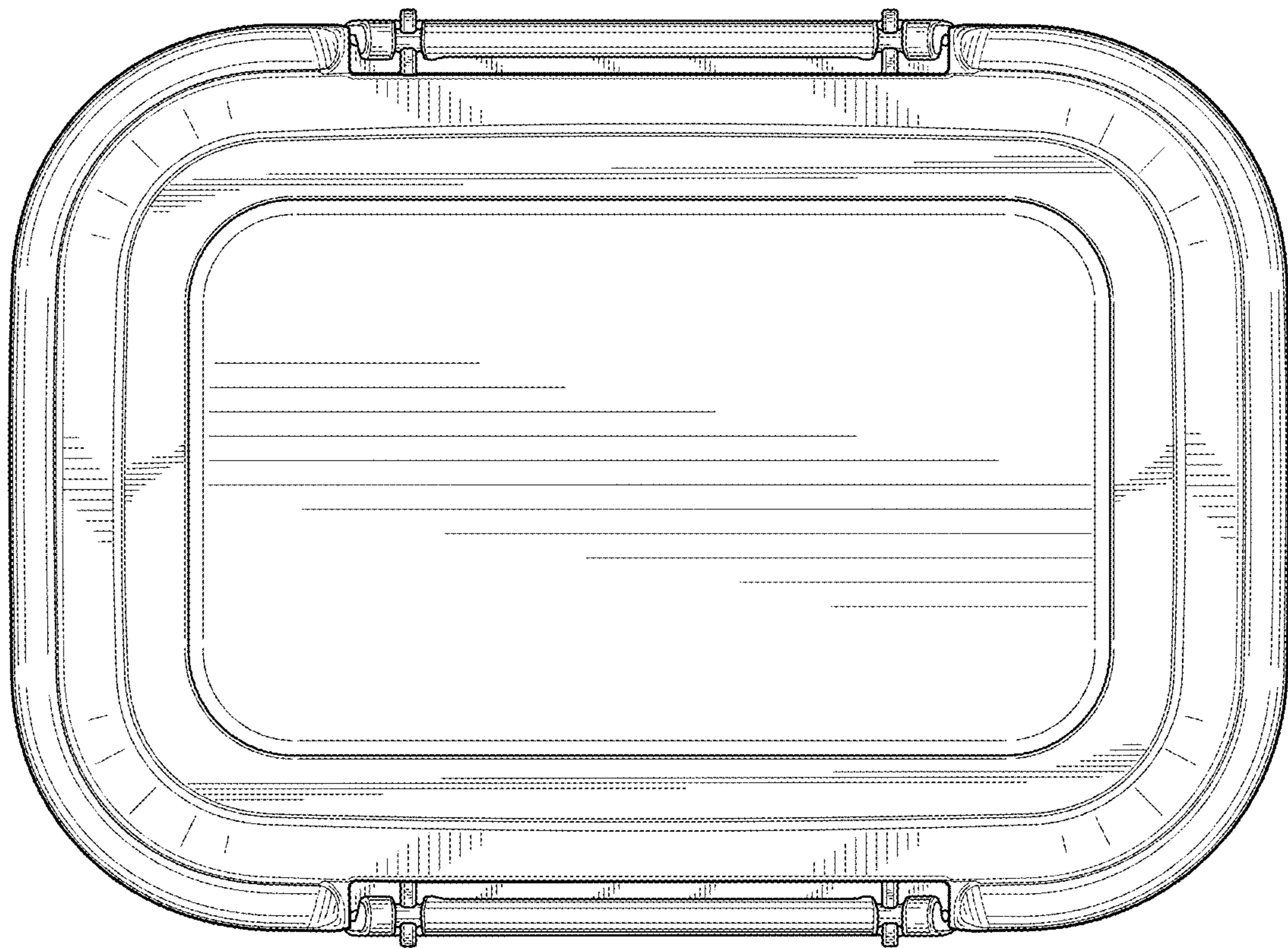


Fig 7

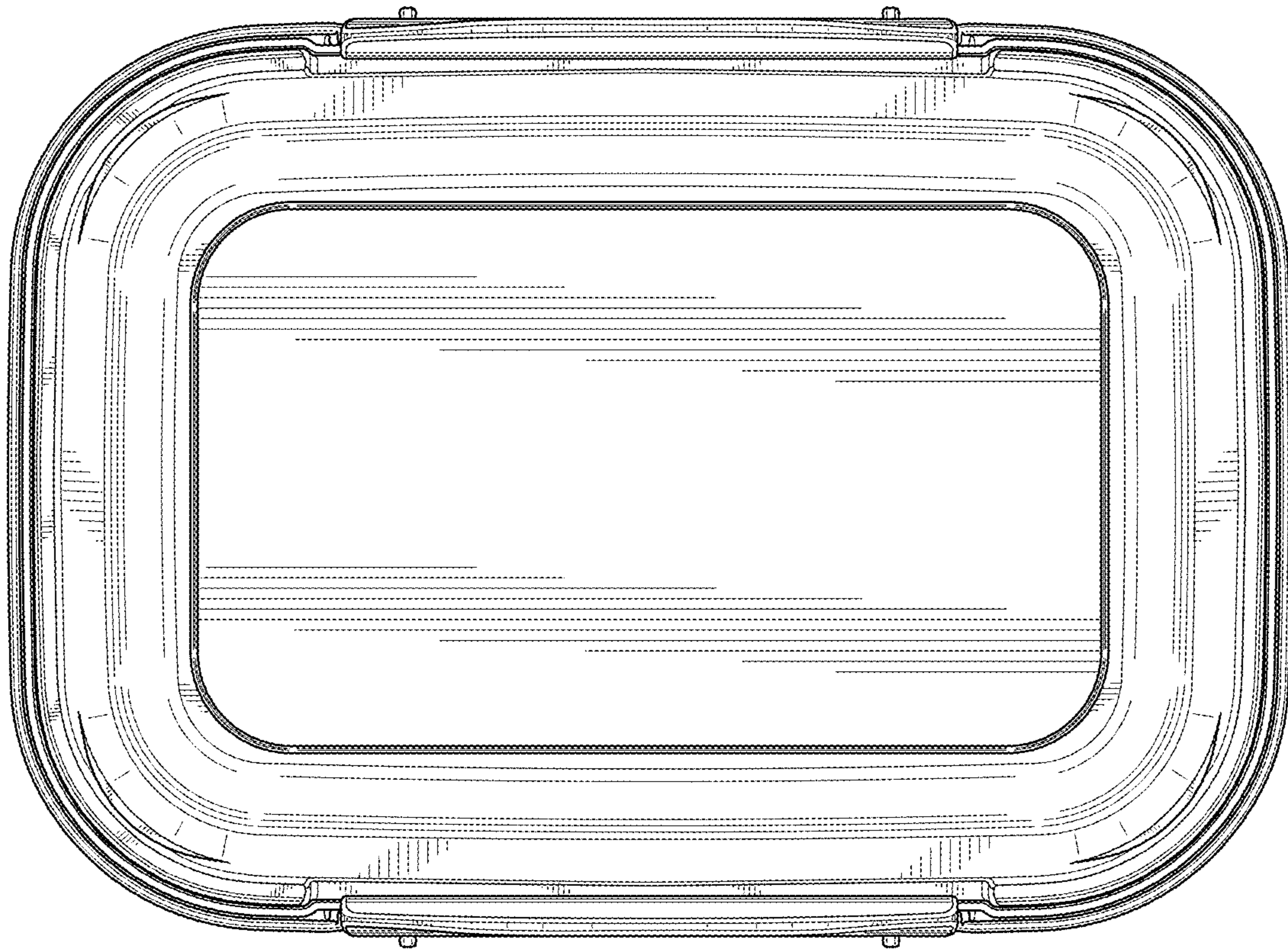


Fig 8