



US00D966829S

(12) **United States Design Patent**
Holmes et al.

(10) **Patent No.:** **US D966,829 S**

(45) **Date of Patent:** **** *Oct. 18, 2022**

(54) **LIDDED CONTAINER**

(71) Applicant: **Sistema Plastics Limited**, Auckland (NZ)

(72) Inventors: **Raymond Holmes**, Auckland (GB);
Cameron Lindsay, Auckland (NZ)

(73) Assignee: **SISTEMA PLASTICS LIMITED**, Auckland (NZ)

(*) Notice: This patent is subject to a terminal disclaimer.

(**) Term: **15 Years**

(21) Appl. No.: **29/744,653**

(22) Filed: **Jul. 30, 2020**

(30) **Foreign Application Priority Data**

Jan. 30, 2020 (NZ) 427056

(51) **LOC (13) Cl.** **09-07**

(52) **U.S. Cl.**
USPC **D7/629**

(58) **Field of Classification Search**
USPC D7/601-603, 605, 759-761, 629-630,
D7/637, 368, 392.1, 555, 708.1;
D9/414-416, 424-425, 430-432, 420,
D9/418; D3/304, 309, 312, 294
CPC B65D 1/26; B65D 1/40; B65D 81/34
See application file for complete search history.

(56) **References Cited**

U.S. PATENT DOCUMENTS

5,617,968 A * 4/1997 Luburic B65D 43/0256
220/276

D489,530 S 5/2004 Lindsay
D588,450 S * 3/2009 Snedden D9/424

D610,879 S * 3/2010 Kim D7/629
D640,550 S * 6/2011 Snedden D9/431
D646,127 S * 10/2011 Lindsay D7/629

(Continued)

FOREIGN PATENT DOCUMENTS

CN ZL201230324579.9 2/2013
CN 303765715 * 8/2016

(Continued)

OTHER PUBLICATIONS

Klip It Plus Storage Container, Sistema, sistemaplastics.com, published by Sistema on Sep. 29, 2020 per wayback machine © 2021 Sistema Plastics, online, site visited Sep. 2, 2021. Available at URL: <https://sistemaplastics.com/products/klip-it-plus/1.15l-square> (Year: 2020).*

(Continued)

Primary Examiner — Holly E Thurman
Assistant Examiner — Altaira J Swangin
(74) *Attorney, Agent, or Firm* — McCarter & English, LLP

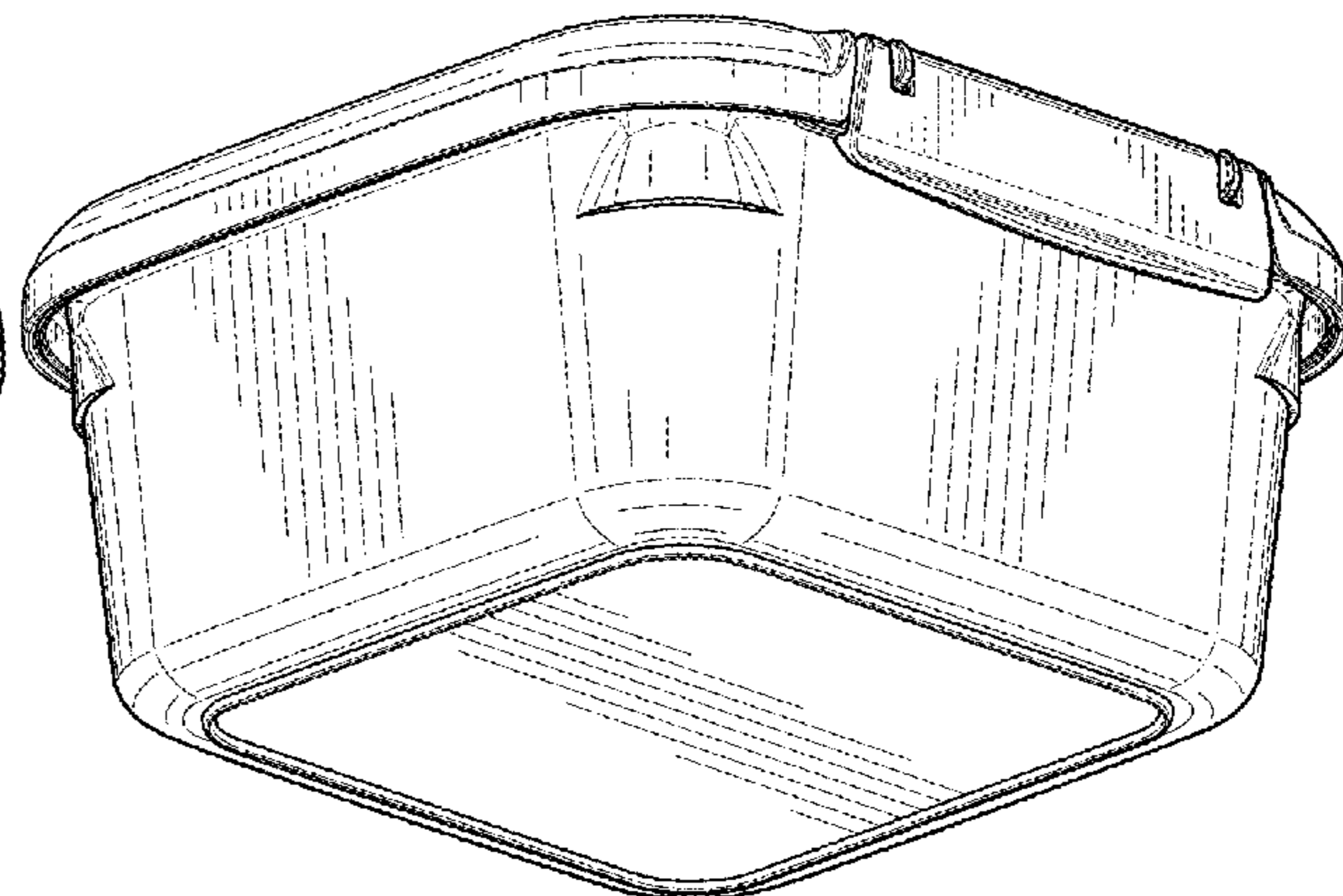
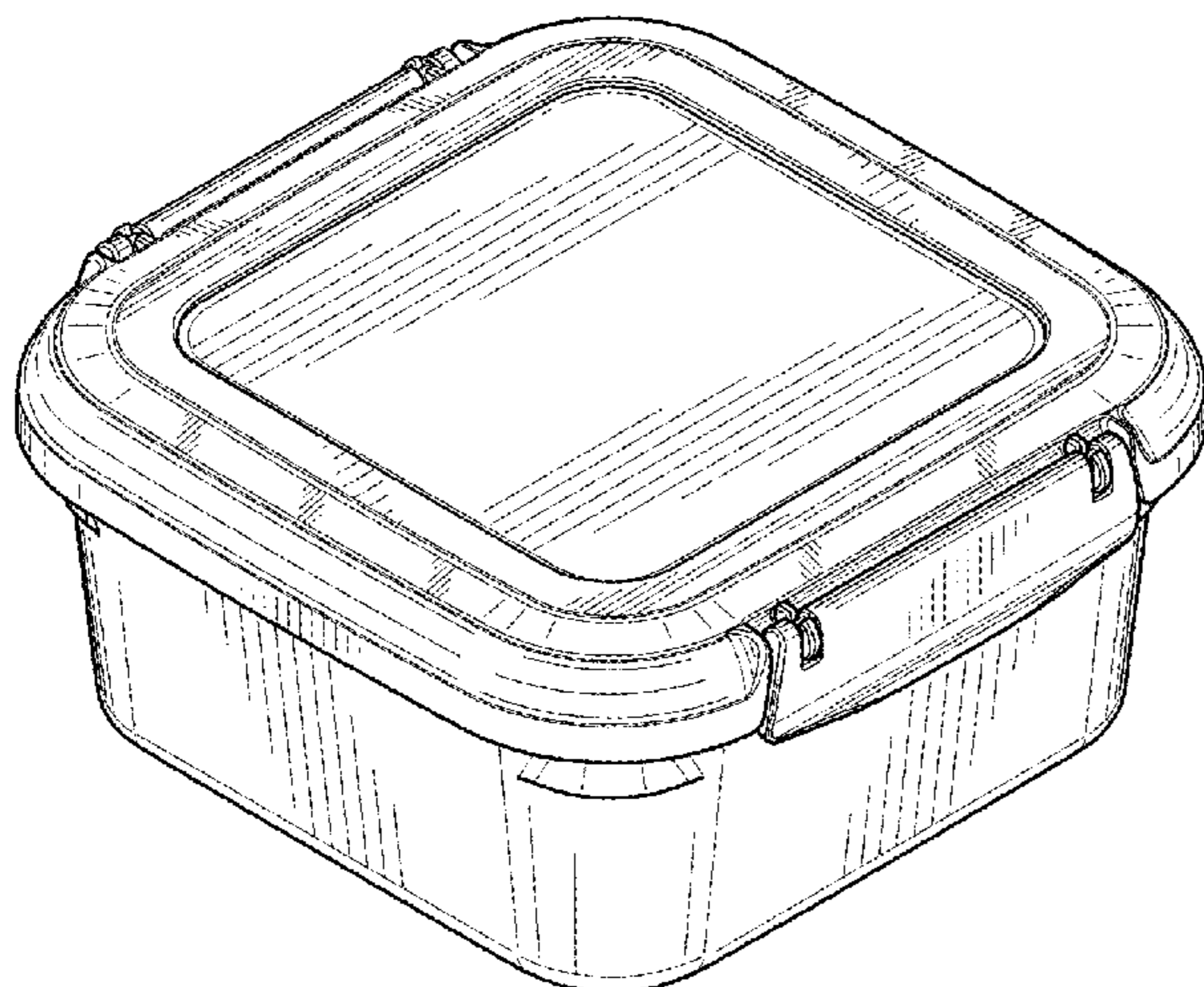
(57) **CLAIM**

The ornamental design for a lidded container, as shown and described.

DESCRIPTION

FIG. 1 is a top front perspective view of a lidded container; FIG. 2 is a bottom front perspective view of the lidded container of FIG. 1; FIG. 3 is a front view of the lidded container of FIG. 1; FIG. 4 is a rear view of the lidded container of FIG. 1; FIG. 5 is a right side view of the lidded container of FIG. 1; FIG. 6 is a left side view of the lidded container of FIG. 1; FIG. 7 is a top view of the lidded container of FIG. 1; and, FIG. 8 is a bottom view of the lidded container of FIG. 1.

1 Claim, 8 Drawing Sheets



(56)

References Cited

U.S. PATENT DOCUMENTS

D652,265 S * 1/2012 Lindsay D7/629
 D652,686 S * 1/2012 Lindsay D7/629
 D662,424 S * 6/2012 Lindsay D7/602
 D673,847 S * 1/2013 Barbier D9/420
 D691,037 S * 10/2013 Chen D9/423
 D696,075 S * 12/2013 Mashike D7/605
 D706,084 S * 6/2014 Manley D7/629
 9,108,776 B2 * 8/2015 Smyers G06Q 99/00
 D755,578 S * 5/2016 Wu D7/629
 D795,057 S * 8/2017 Segal D9/425
 D801,127 S * 10/2017 Beckman D7/629
 D820,636 S * 6/2018 Zhang D7/392.1
 D830,791 S * 10/2018 Lee D7/629
 D853,179 S * 7/2019 Duvigneau D7/391
 D862,176 S * 10/2019 Yu D7/602
 D870,521 S * 12/2019 Casey D7/629
 D876,176 S * 2/2020 Pentelovitch D7/629
 D878,165 S * 3/2020 Pentelovitch D7/629
 D892,541 S * 8/2020 Evans D7/392.1
 D902,668 S * 11/2020 Zemel D7/629
 10,858,155 B1 * 12/2020 Caruso B65D 45/22
 D913,754 S * 3/2021 Feng D7/602
 D921,444 S * 6/2021 Lindsay D7/629
 D921,445 S * 6/2021 Lindsay D7/629
 D941,523 S * 1/2022 Elkind D9/504
 D955,186 S * 6/2022 Pentelovitch D7/629
 D956,484 S * 7/2022 Nam D7/629
 2003/0183641 A1 * 10/2003 Asbury B65D 21/0219
 220/781

2004/0079757 A1 * 4/2004 Ciccone B65D 43/24
 220/836
 2013/0233855 A1 * 9/2013 DeSiena B65D 51/28
 220/315
 2014/0042167 A1 * 2/2014 Lindsay A47J 36/10
 220/361
 2014/0332546 A1 * 11/2014 Connard B08B 17/025
 220/789
 2015/0266647 A1 * 9/2015 Lui B65D 81/2038
 220/203.19
 2018/0327148 A1 * 11/2018 Trahan B65D 43/022
 2019/0127094 A1 * 5/2019 Noda B65D 51/20
 2021/0284398 A1 * 9/2021 Valderrama B65D 81/3216

FOREIGN PATENT DOCUMENTS

CN 304234783 * 8/2017
 EM 007999966-0002 * 6/2020

OTHER PUBLICATIONS

Clip and Close Glas Food Storage Container, Emsa, emsa.com, published by Emsa on Sep. 20, 2020 per wayback machine © 2021 EMSA GmbH, online, site visited Sep. 2, 2021. Available at URL: <https://www.emsa.com/en/products/freshness-guaranteed/glass-food-storage-containers/clip-close-food-storage-container-glass-square-02-litre/> (Year: 2020).*

* cited by examiner

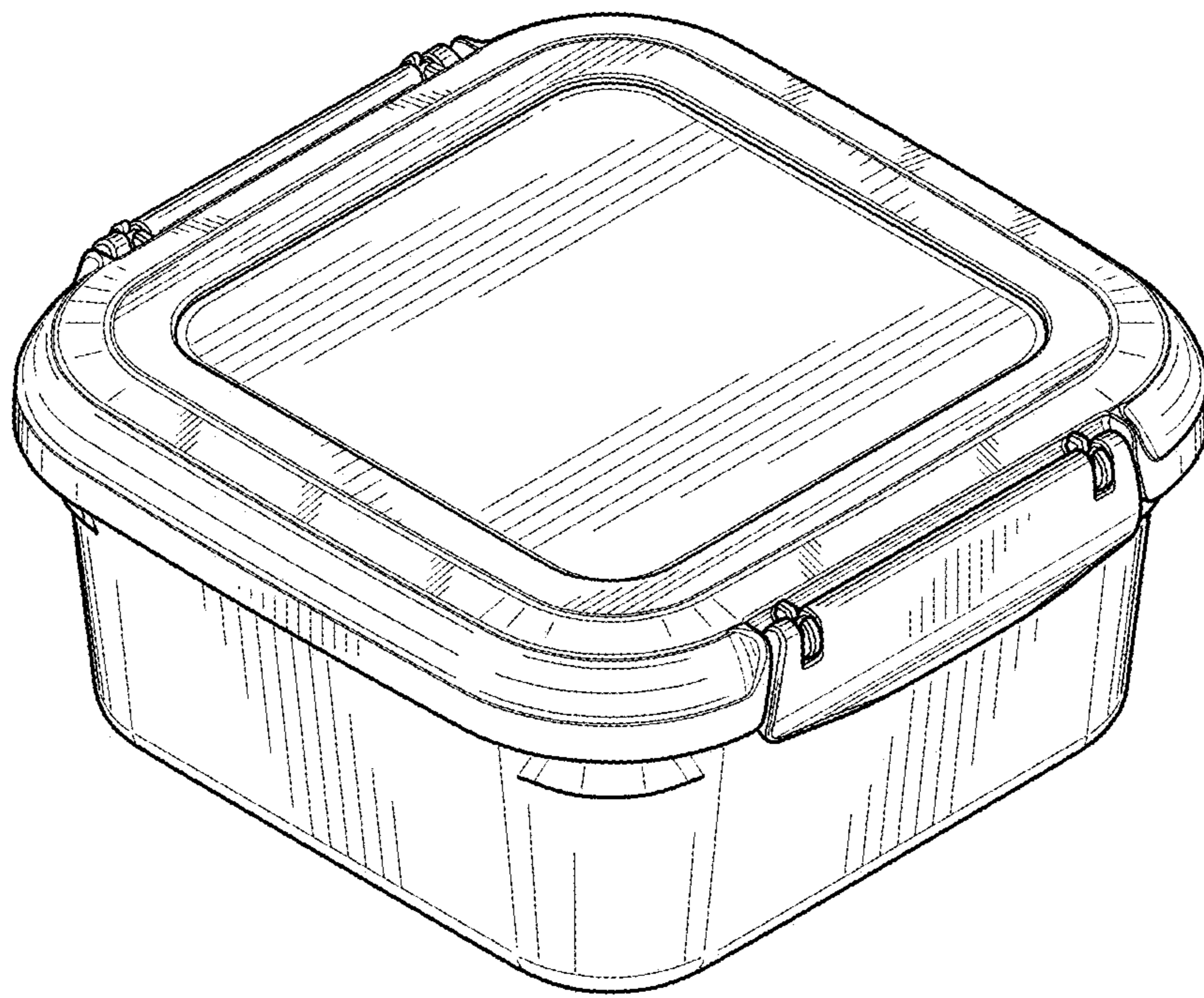


Fig 1

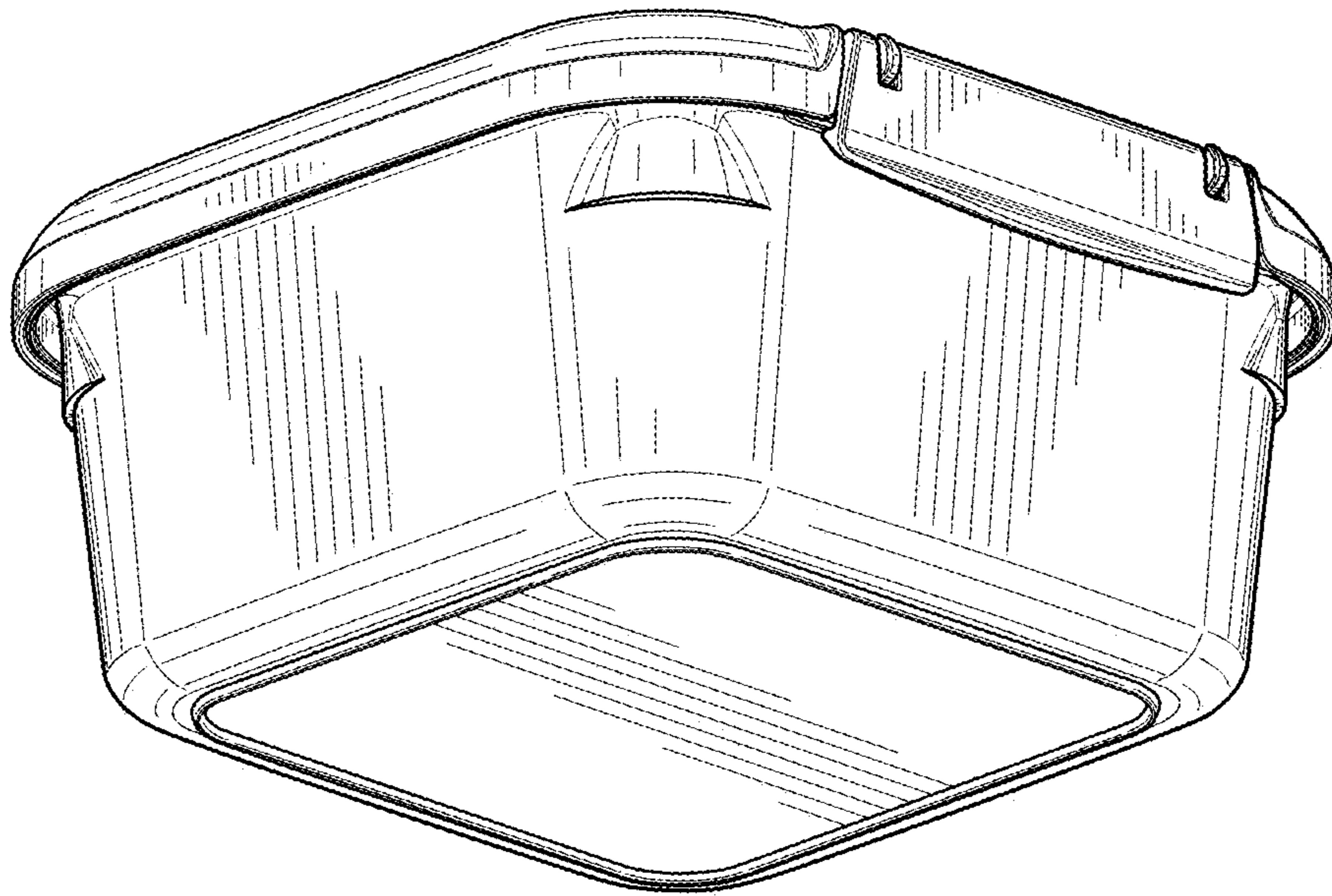


Fig 2

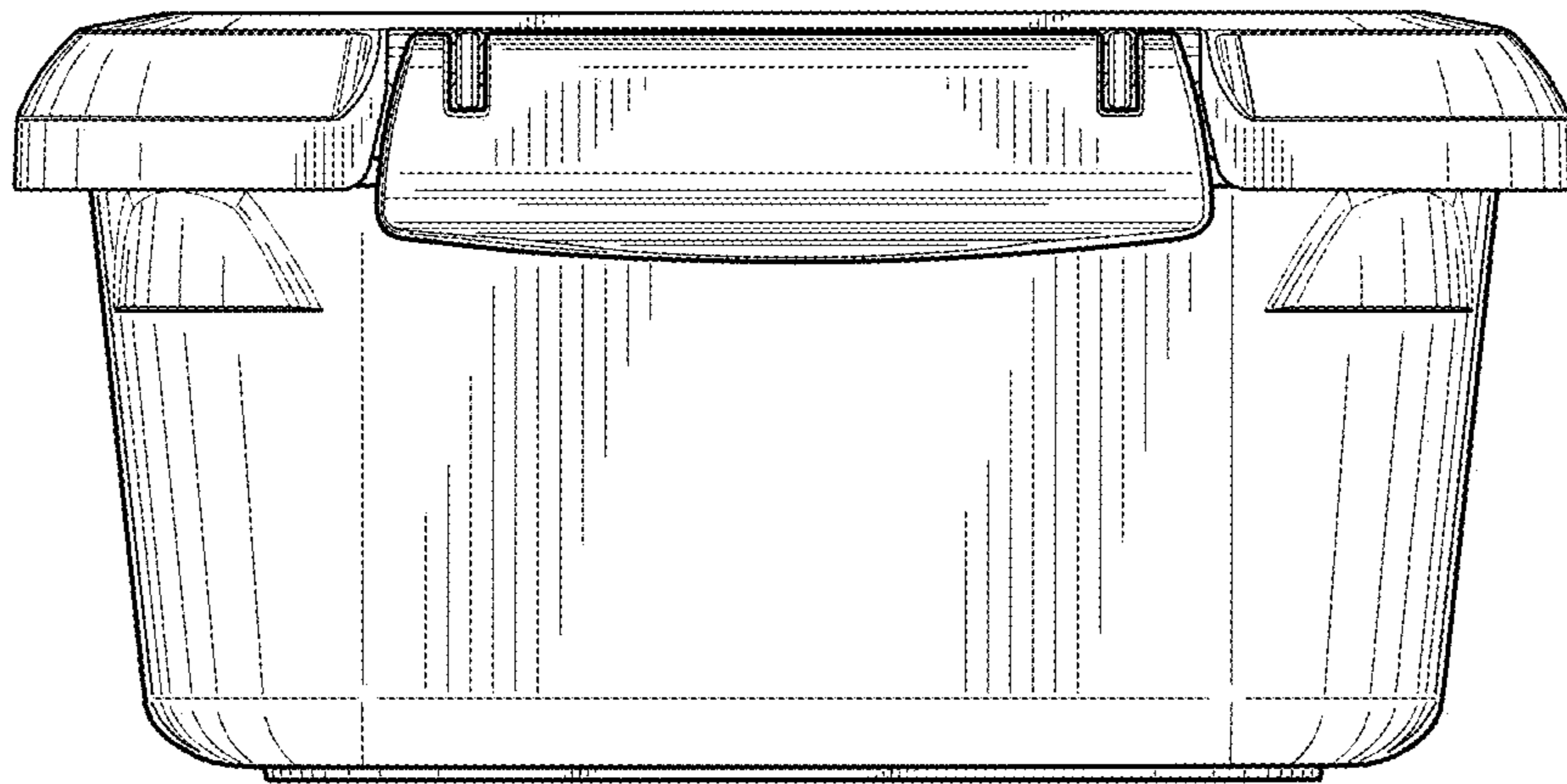


Fig 3

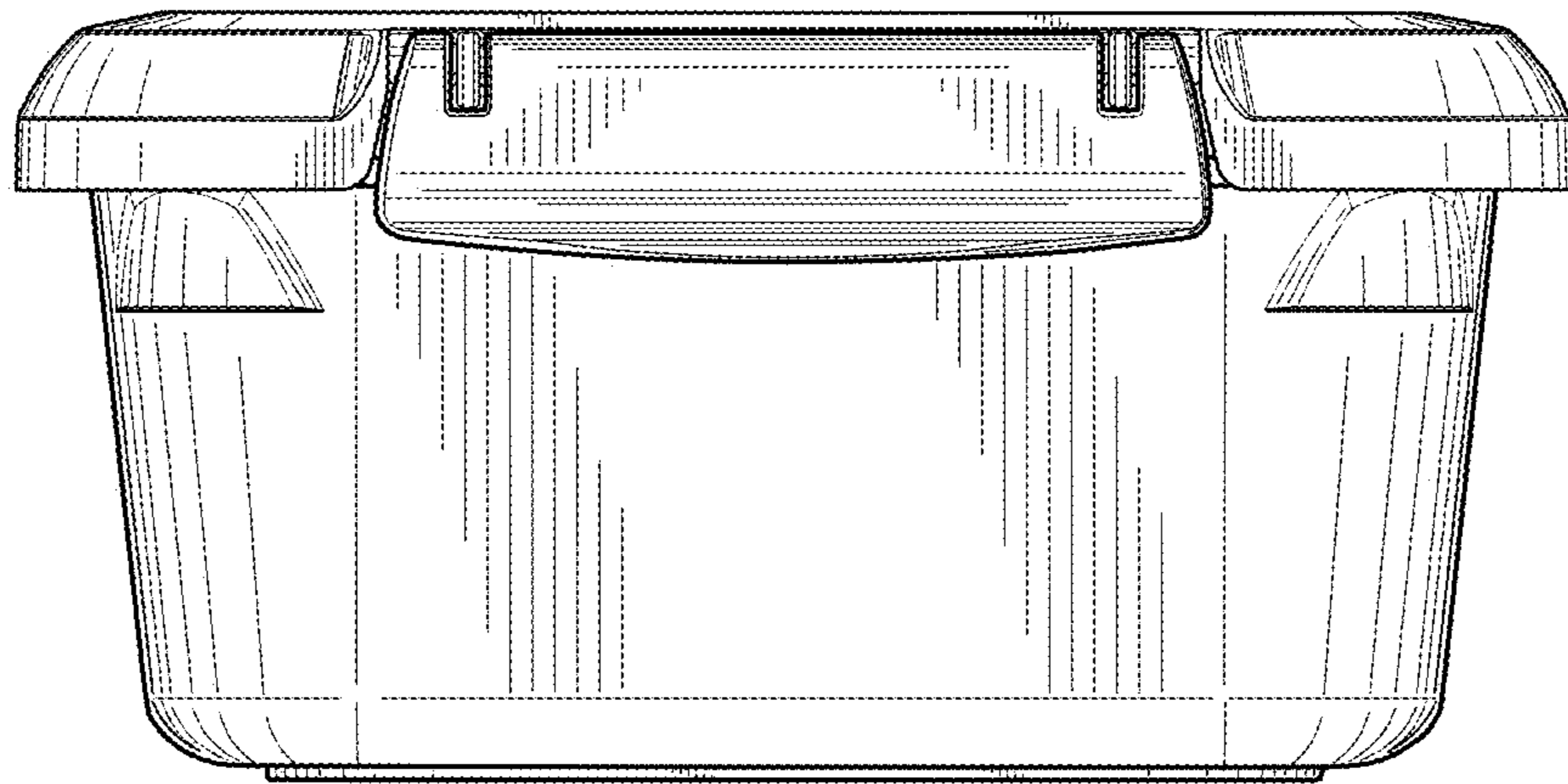


Fig 4

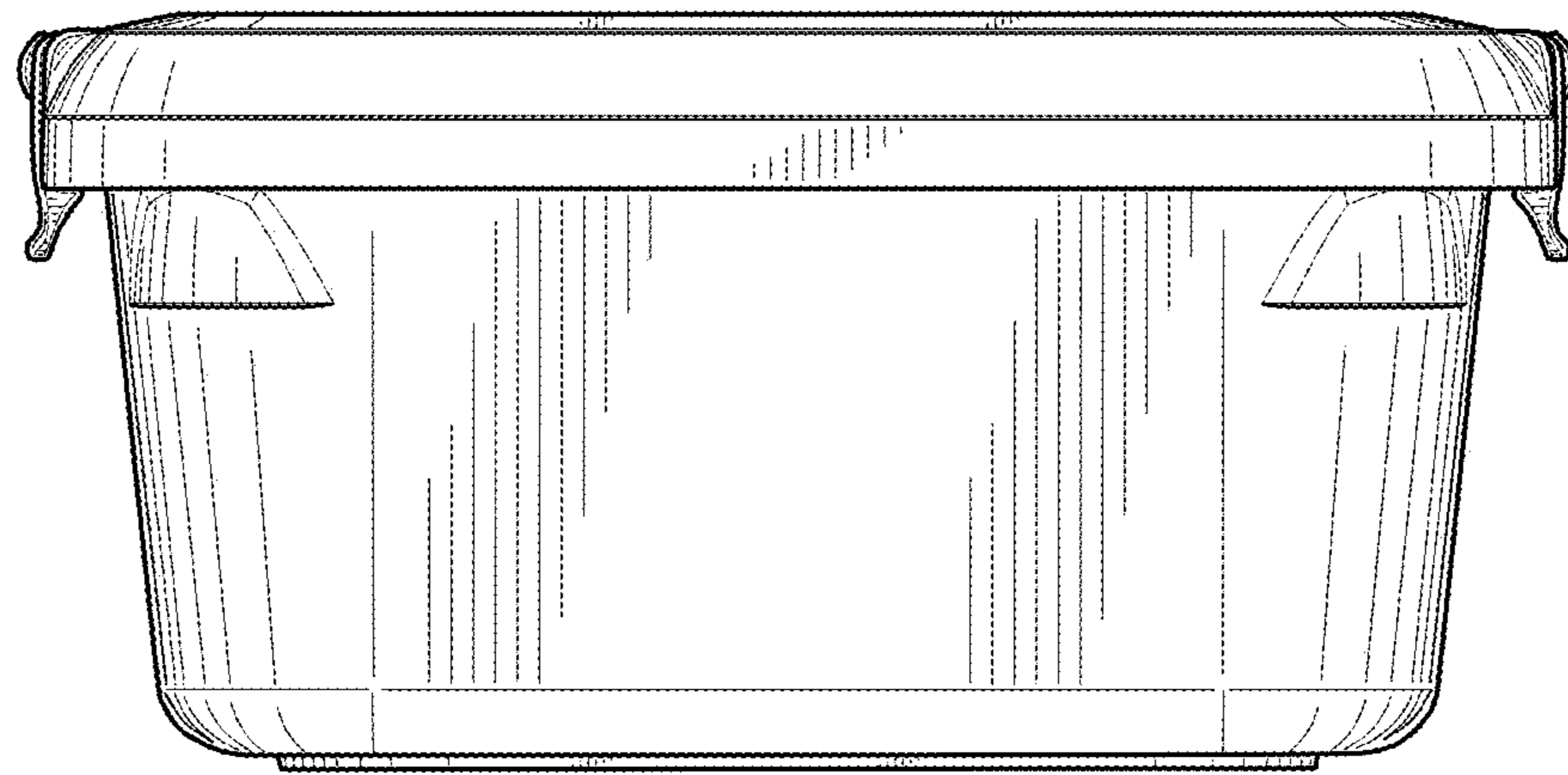


Fig 5

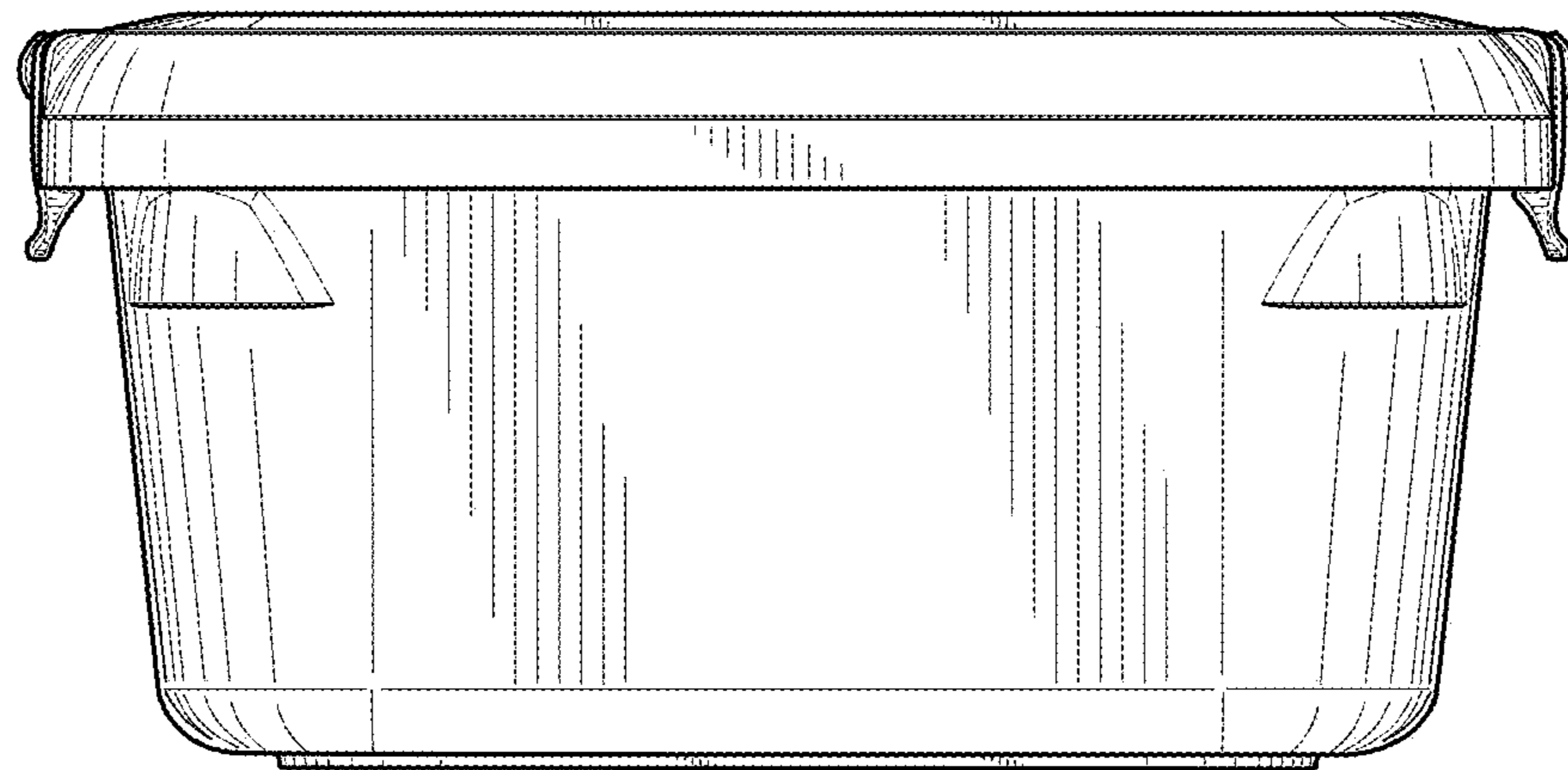


Fig 6

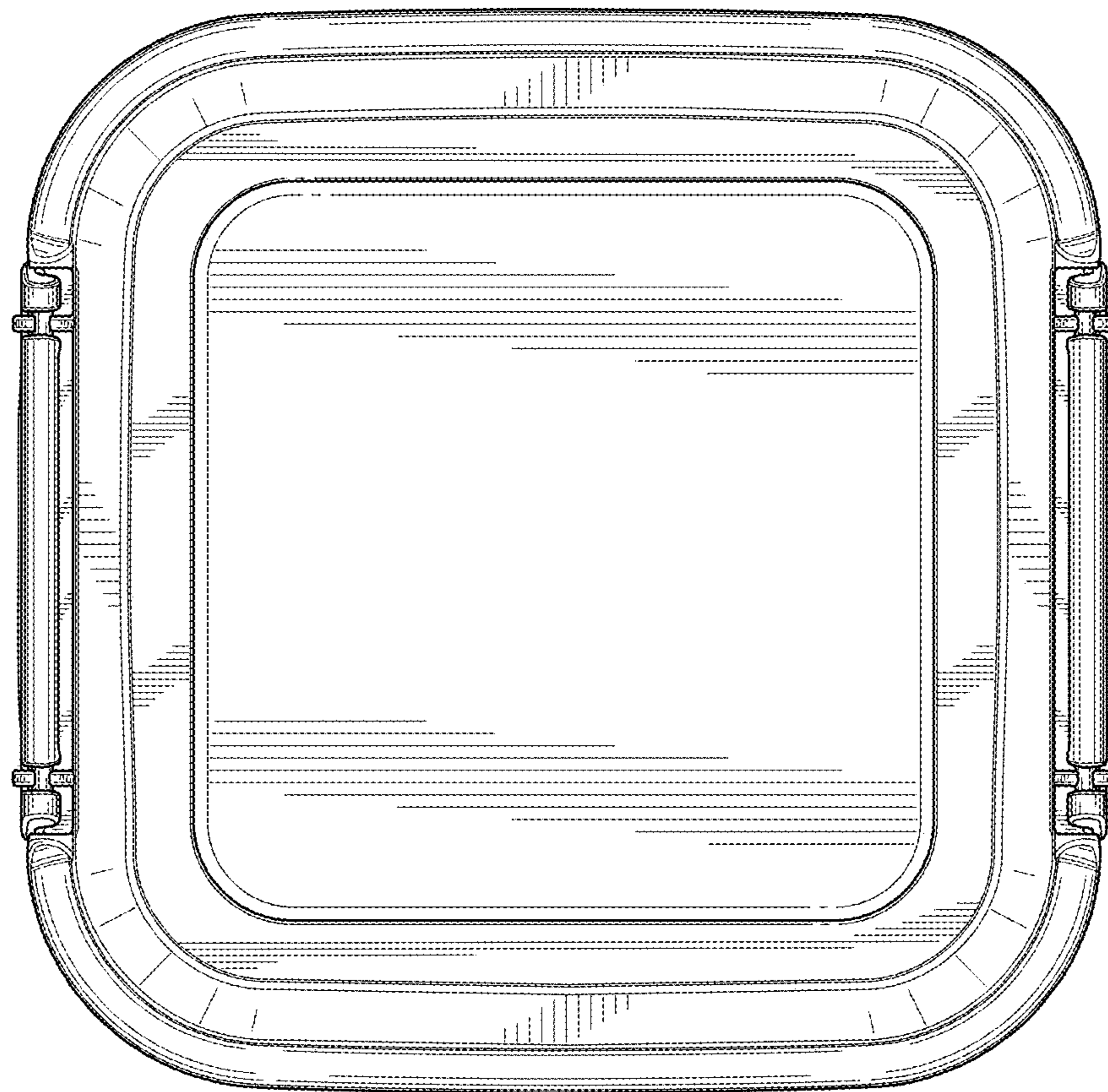


Fig 7

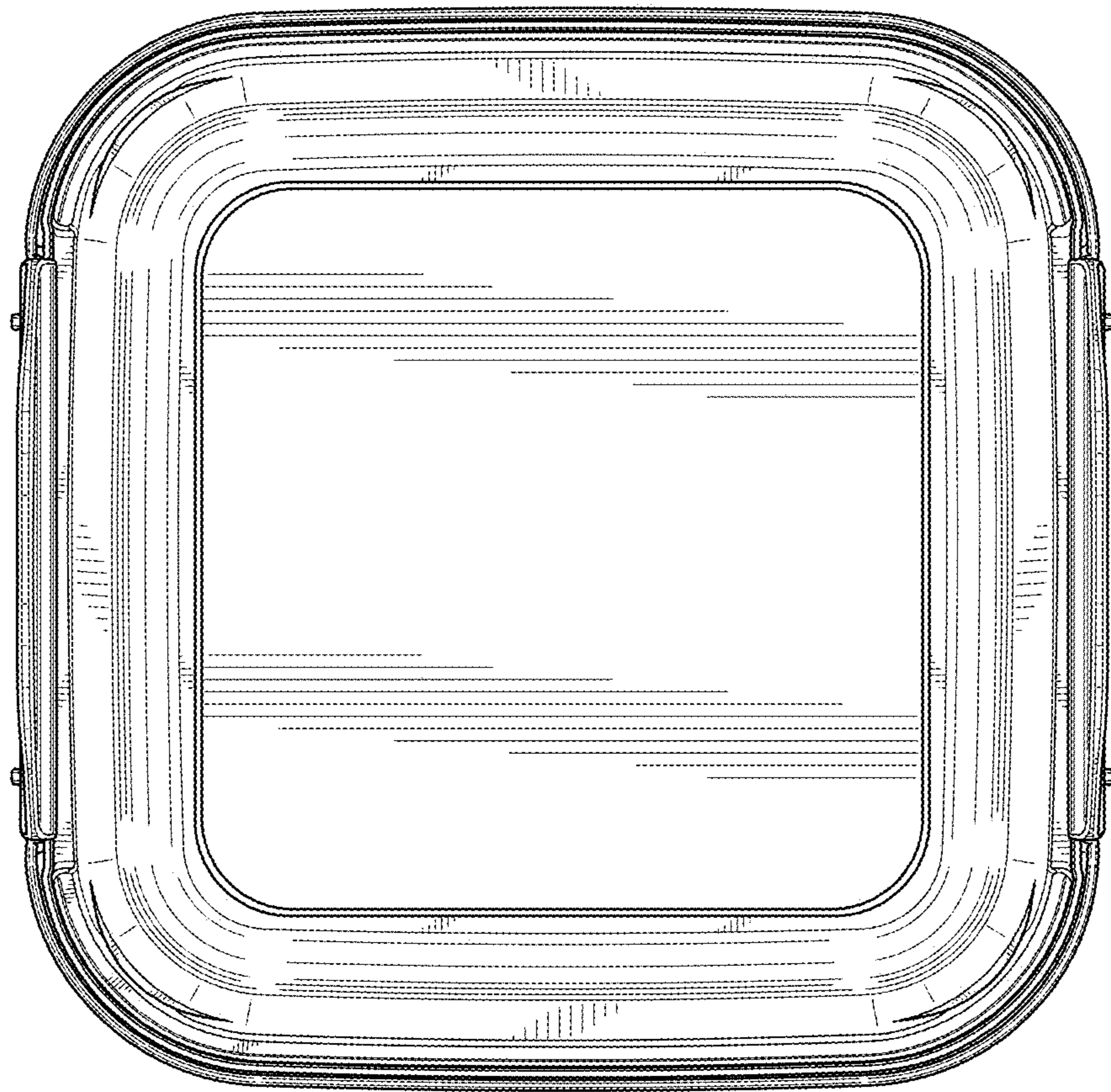


Fig 8