

US00D966820S

(12) **United States Design Patent**
Huang

(10) **Patent No.:** **US D966,820 S**

(45) **Date of Patent:** **** Oct. 18, 2022**

(54) **SPICE RACK**

(71) Applicant: **Jiahui Huang**, Guangdong (CN)

(72) Inventor: **Jiahui Huang**, Guangdong (CN)

(**) Term: **15 Years**

(21) Appl. No.: **29/776,855**

(22) Filed: **Apr. 1, 2021**

(51) **LOC (13) Cl.** **07-09**

(52) **U.S. Cl.**
USPC **D7/600.4**

(58) **Field of Classification Search**

USPC D7/319, 368, 392.1, 408-409, 420,
D7/548-549, 550.1, 552.2, 553.1-553.2,
D7/555, 600.4, 601-603, 605, 629-630,
D7/637, 708.1, 709, 503, 609, 611,
D7/614-615, 640, 701; D9/414-416,
D9/424-425, 430-432, 759-761;
D3/309; D6/317, 552, 654.11, 654.18,
D6/661, 672; D32/14, 21, 55

CPC A47J 47/12; A47J 47/14
See application file for complete search history.

(56) **References Cited**

U.S. PATENT DOCUMENTS

D258,212 S *	2/1981	Negrete	D3/314
D272,110 S *	1/1984	Taub	D6/571
D295,129 S *	4/1988	Chap	D6/567
D371,916 S *	7/1996	Kacprowicz	D6/705
D392,144 S *	3/1998	Vogler	D6/574
D418,342 S *	1/2000	Von Gunten	D6/705.6
D444,331 S *	7/2001	Maloney	D6/705
D448,249 S *	9/2001	DeCastro	D7/605
D457,364 S *	5/2002	Shea	D6/705
D485,621 S *	1/2004	Deel	D25/119
D498,634 S *	11/2004	Winig	D6/571
D519,303 S *	4/2006	Winig	D6/705
D543,639 S *	5/2007	Mertins	D25/38.1
D559,025 S *	1/2008	Williams	D6/574

D634,570 S *	3/2011	Lin	D6/705
D634,957 S *	3/2011	Rosenzweig	D6/567
D658,427 S *	5/2012	Cloutier	D7/360
D689,327 S *	9/2013	Ortegon	D7/354
D737,079 S *	8/2015	Tsai	D6/675.3
D747,629 S *	1/2016	Goodman	D7/600.4
D757,303 S *	5/2016	Migeon	D25/48.8

(Continued)

FOREIGN PATENT DOCUMENTS

CN 306692392 * 7/2022

OTHER PUBLICATIONS

Shelf Basket, Daro, daro.com, author and date unlisted © 2022 Daro UK Ltd., online, site visited Jan. 5, 2022. Available at URL: <https://www.daro.com/shelf-basket-depth-100-mm-fixing-hole-centres-300-mm-mesh-ha-520-88-202-257612572> (Year: 2021).*

(Continued)

Primary Examiner — Holly E Thurman
Assistant Examiner — Altaira J Swangin

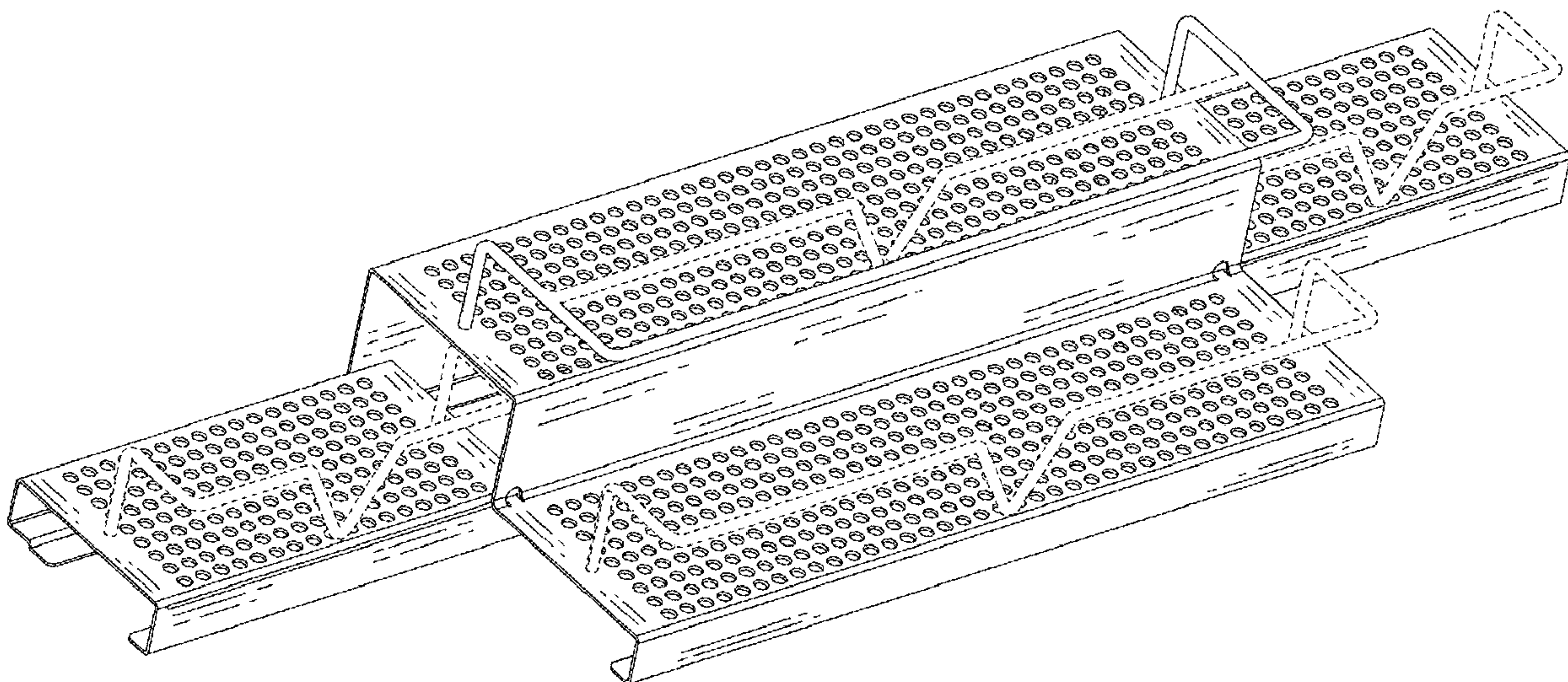
(57) **CLAIM**

The ornamental design for a spice rack, as shown and described.

DESCRIPTION

FIG. 1 is a perspective view of a spice rack showing my new design;
FIG. 2 is a front elevational view thereof;
FIG. 3 is a rear elevational view thereof;
FIG. 4 is a left side elevational view thereof;
FIG. 5 is a right side elevational view thereof;
FIG. 6 is an enlarged top plan view thereof; and,
FIG. 7 is an enlarged bottom plan view thereof.
The broken lines shown in the drawings indicate portions of the spice rack which form no part of the claimed design.

1 Claim, 7 Drawing Sheets



(56)

References Cited

U.S. PATENT DOCUMENTS

D776,481 S * 1/2017 Moss D7/406
D780,522 S * 3/2017 Howell D7/605
D796,874 S * 9/2017 Greenwood D6/675.3
D801,089 S * 10/2017 Greenwood D6/675.3
D802,370 S * 11/2017 Tsai D7/600.4
D808,697 S * 1/2018 Heckler D6/705
D858,021 S 8/2019 Li
D871,924 S 1/2020 Vanderwell
D873,081 S 1/2020 Goodman et al.
D898,487 S * 10/2020 Wilson D6/675.2
D911,782 S * 3/2021 Li D7/600.4
D913,753 S 3/2021 Zheng
D925,990 S * 7/2021 Yan D7/600.4
D931,057 S * 9/2021 Xin D7/600.4
D935,283 S * 11/2021 Veldkamp D7/637
D940,483 S * 1/2022 Klein D6/675.5
D950,877 S * 5/2022 Tuang D32/55
D955,169 S * 6/2022 Cai D7/409

OTHER PUBLICATIONS

Spice Bottle Rack, mDesign, amazon.com, published by mDesign, first available on May 1, 2018 © 1996-2022 Amazon.com, Inc., online, site visited Jun. 22, 2022. Available at URL: <https://www.amazon.com/mDesign-Adjustable-Expandable-Cupboard-Organizer/dp/B07CYYB2LG?th=1> (Year: 2018).*

* cited by examiner

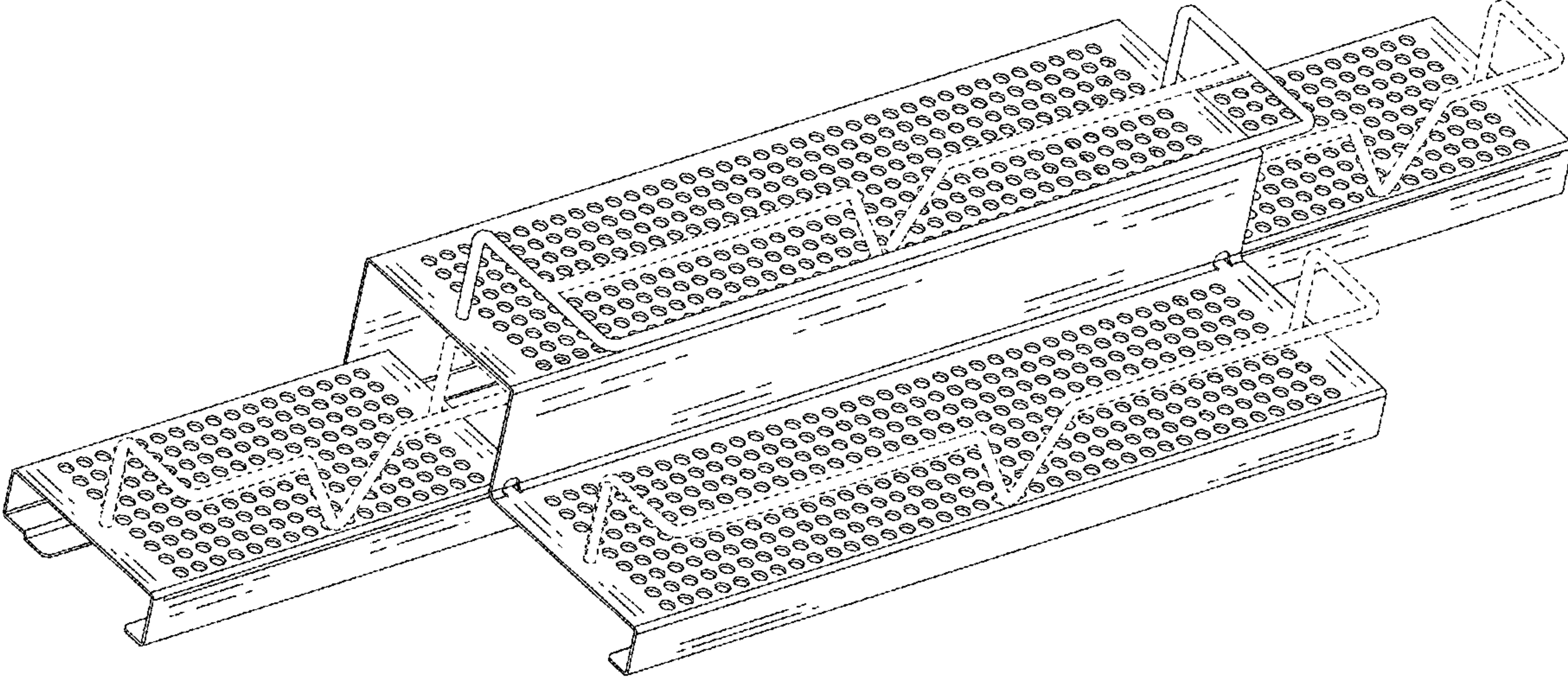


FIG.1

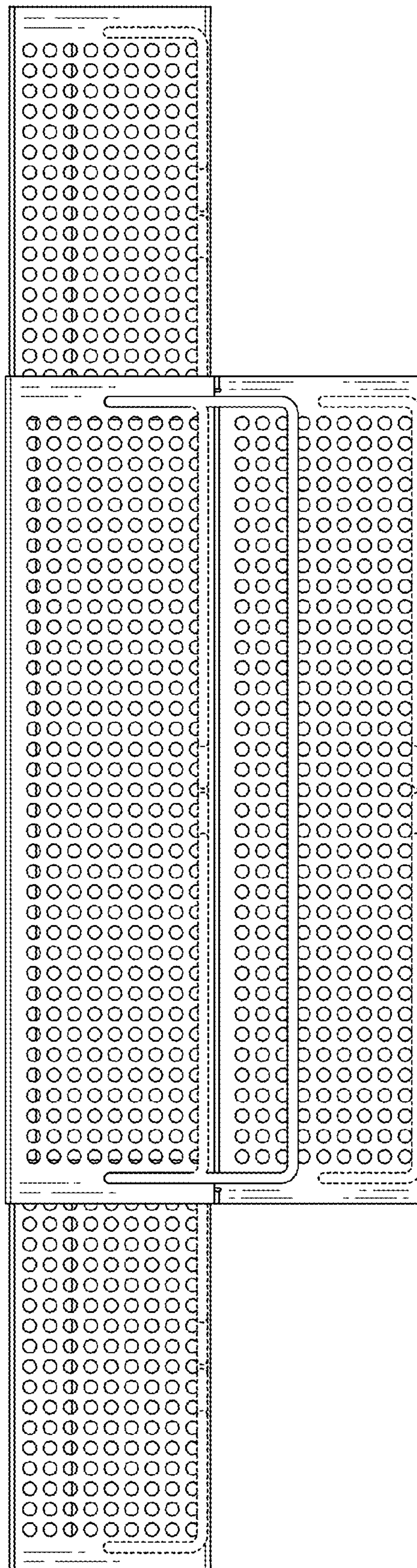


FIG.2

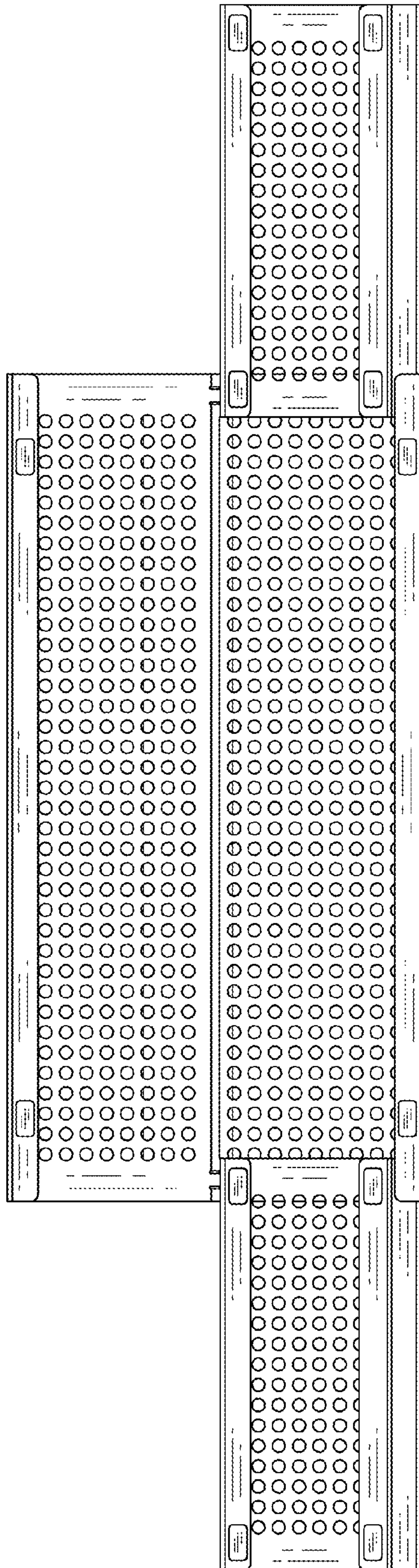


FIG.3

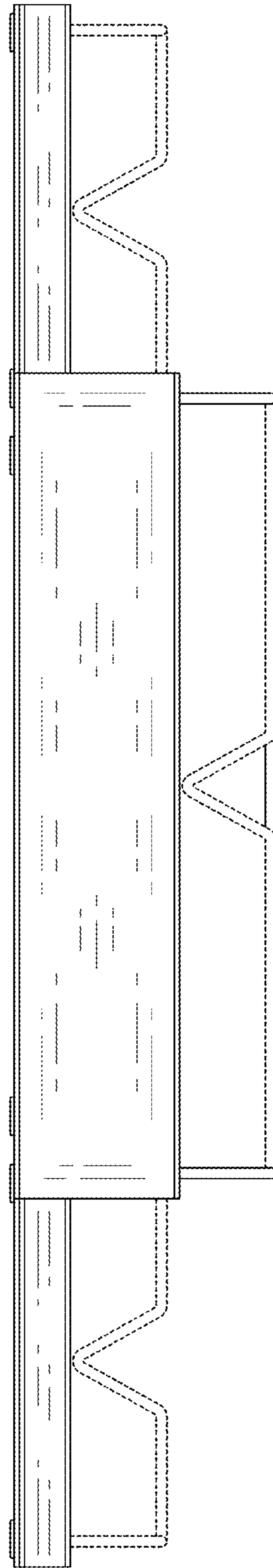


FIG.4

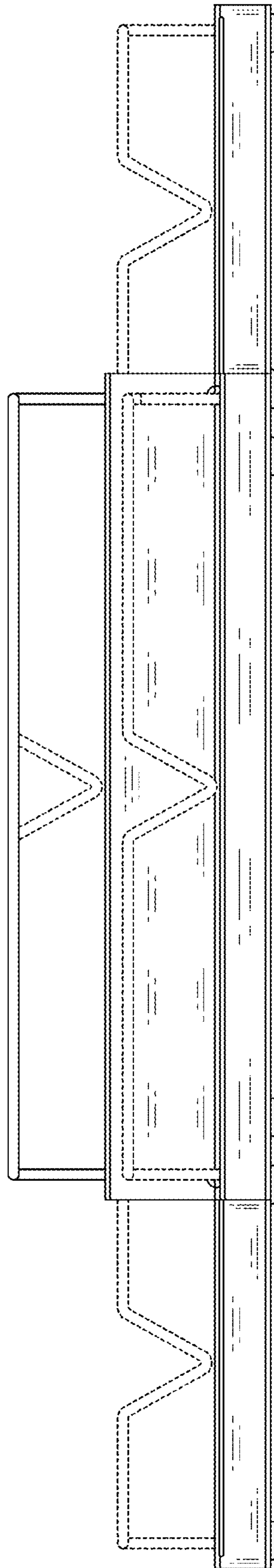


FIG.5

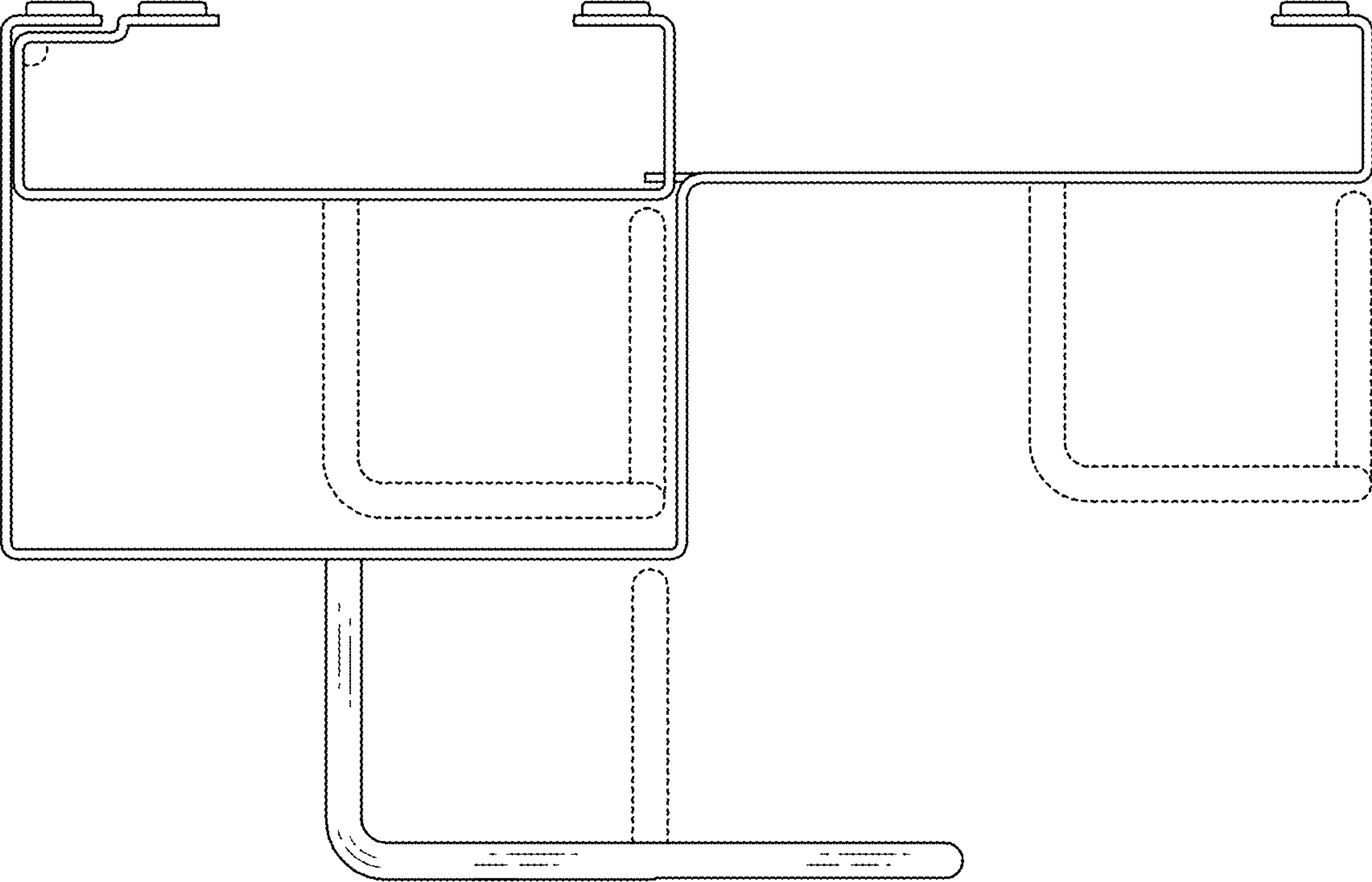


FIG.6

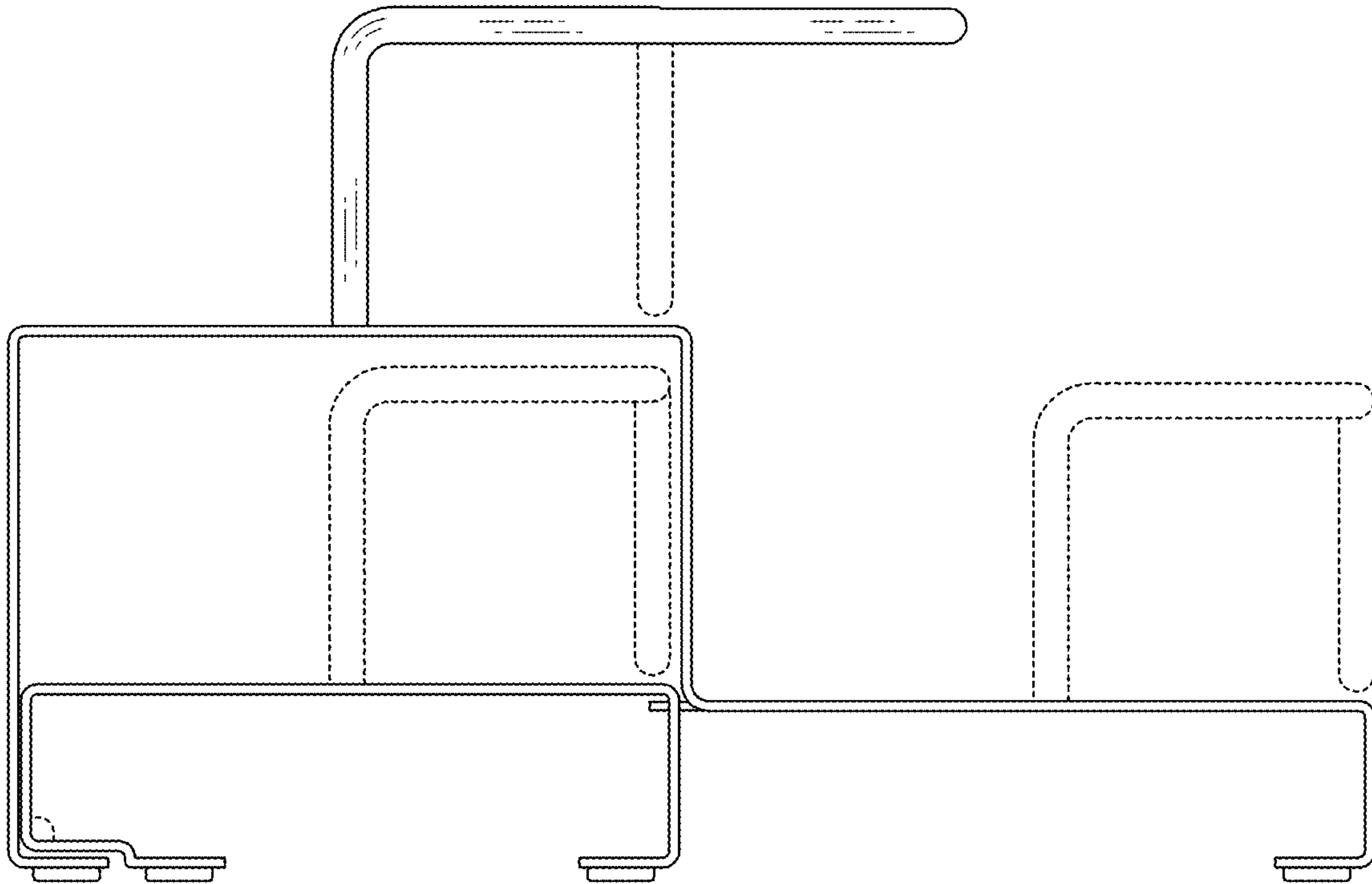


FIG.7