



US00D966819S

(12) **United States Design Patent** (10) **Patent No.:** **US D966,819 S**
Liao (45) **Date of Patent:** **** Oct. 18, 2022**

(54) **TRAY SET**

DESCRIPTION

(71) Applicant: **Chunping Liao**, Yongzhou (CN)
(72) Inventor: **Chunping Liao**, Yongzhou (CN)
(**) Term: **15 Years**
(21) Appl. No.: **29/817,715**
(22) Filed: **Dec. 3, 2021**
(51) **LOC (13) Cl.** **07-01**
(52) **U.S. Cl.**
USPC **D7/554.3**
(58) **Field of Classification Search**
USPC D7/550.1, 552.2, 553.2, 553.5, 554.3,
D7/601-602, 397, 401.1; D28/61, 73
CPC A47G 19/02; A47G 19/30; A47G 21/08;
A47G 23/06; A47G 23/0608; B65D 1/34;
B65D 1/00
See application file for complete search history.

FIG. 1 is a perspective view of a first tray of a tray set showing my new design, shown separately for ease of illustration;
FIG. 2 is another perspective view thereof;
FIG. 3 is a front elevational view thereof;
FIG. 4 is a rear elevational view thereof;
FIG. 5 is a left side elevational view thereof;
FIG. 6 is a right side elevational view thereof;
FIG. 7 is a top plan view thereof;
FIG. 8 is a bottom plan view thereof;
FIG. 9 is a perspective view of a second tray of the tray set, shown separately for ease of illustration;
FIG. 10 is another perspective view thereof;
FIG. 11 is a front elevational view thereof;
FIG. 12 is a rear elevational view thereof;
FIG. 13 is a left side elevational view thereof;
FIG. 14 is a right side elevational view thereof;
FIG. 15 is a top plan view thereof;
FIG. 16 is a bottom plan view thereof;
FIG. 17 is a perspective view of the first tray where the first tray is in a first configuration of use;
FIG. 18 is a perspective view of the second tray where the second tray is in a first configuration of use;
FIG. 19 is a perspective view of the second tray where the second tray is in a second configuration of use;
FIG. 20 is a perspective view of the first tray where the first tray is in a second configuration of use;
FIG. 21 is a perspective view of the tray set shown in a first configuration of use with one first tray and four second trays;
FIG. 22 is a perspective view of the tray set shown in a second configuration of use with three stacked first trays and two groups of three stacked second trays; and,
FIG. 23 is a perspective view of the tray set shown in a third configuration of use with two first trays and two second trays.
The broken lines in the drawings depict portions of the tray set that form no part of the claimed design.

(56) **References Cited**

U.S. PATENT DOCUMENTS

D216,477 S * 1/1970 Ketcham D7/545
D340,617 S * 10/1993 Douglas D7/552.1
D418,017 S * 12/1999 Henry D7/545
D431,420 S * 10/2000 Susta D7/545
D442,425 S * 5/2001 Wyche D7/545
D459,635 S * 7/2002 Henry D7/545
D472,767 S * 4/2003 Gebhardt D7/545
D484,697 S * 1/2004 McCoy D3/304
D688,084 S * 8/2013 Henry D7/354
D829,036 S * 9/2018 Garcia Luna D7/354
D832,025 S * 10/2018 Garcia Luna D7/354

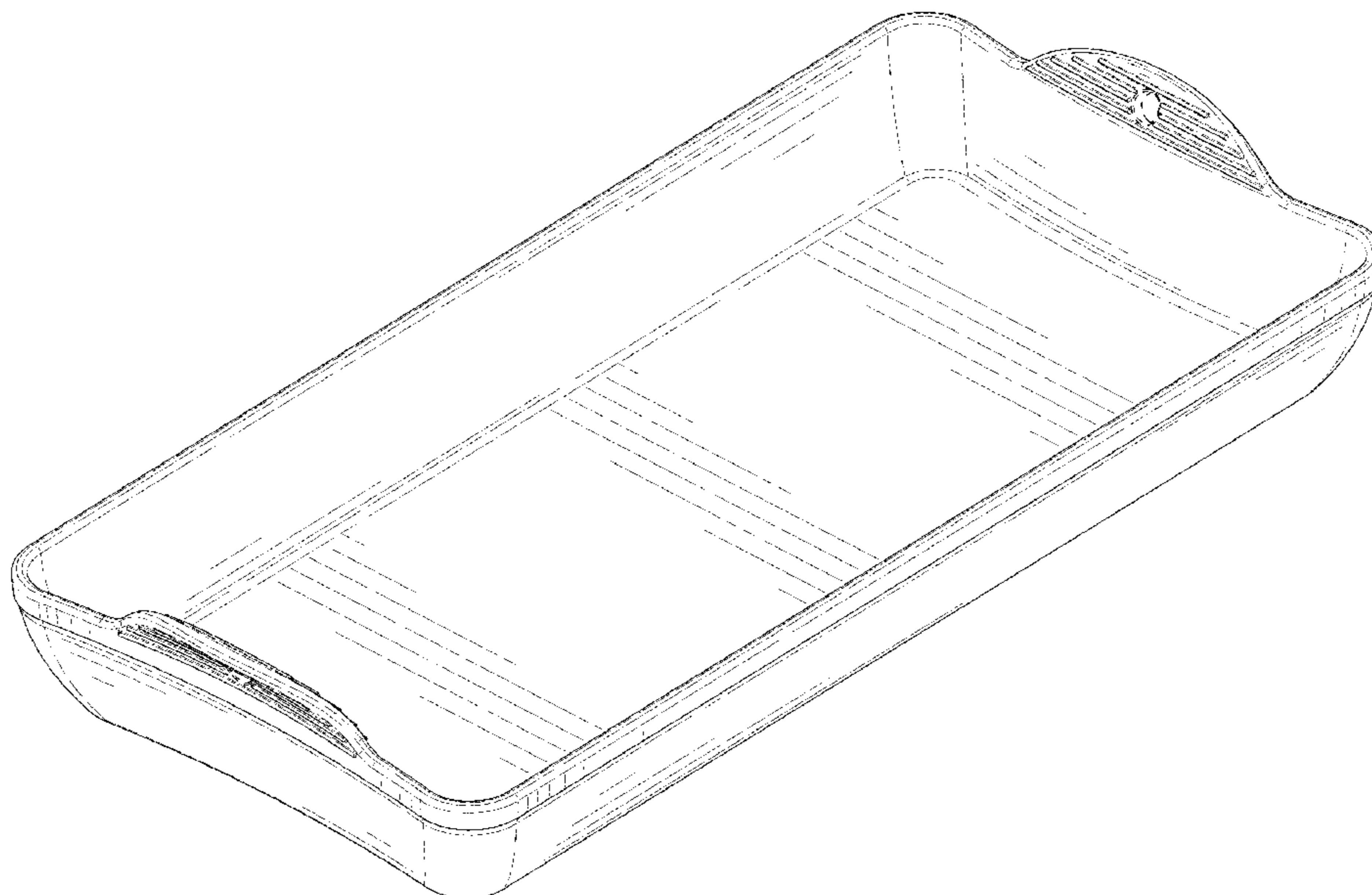
(Continued)

Primary Examiner — Kelley A Donnelly

(57) **CLAIM**

The ornamental design for a tray set, as shown and described.

1 Claim, 23 Drawing Sheets



(56)

References Cited

U.S. PATENT DOCUMENTS

D832,026 S * 10/2018 Garcia Luna D7/354
D867,802 S * 11/2019 Demers D7/354
D871,156 S * 12/2019 Veldkamp D7/554.3
D876,899 S * 3/2020 Pawluskiewicz D7/554.3
D883,749 S * 5/2020 Pawluskiewicz D7/554.3
D898,523 S 10/2020 Lee et al.
D907,965 S * 1/2021 Pawluskiewicz D7/554.3
D925,988 S * 7/2021 Pawluskiewicz D7/554.3
D926,529 S 8/2021 Mayer
D945,221 S * 3/2022 Palles D7/554.3
D957,869 S * 7/2022 Dubois D7/354

* cited by examiner

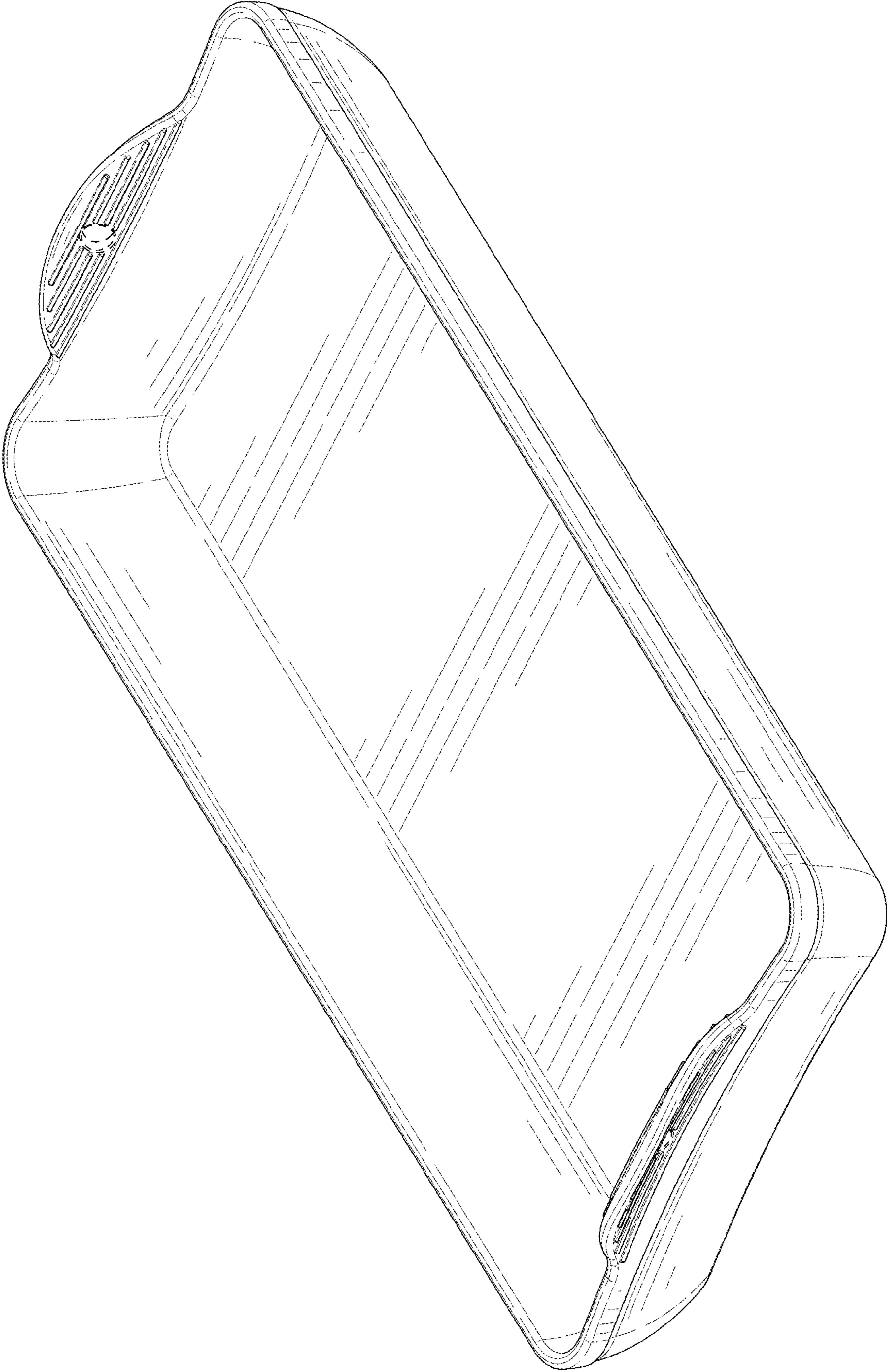


FIG. 1

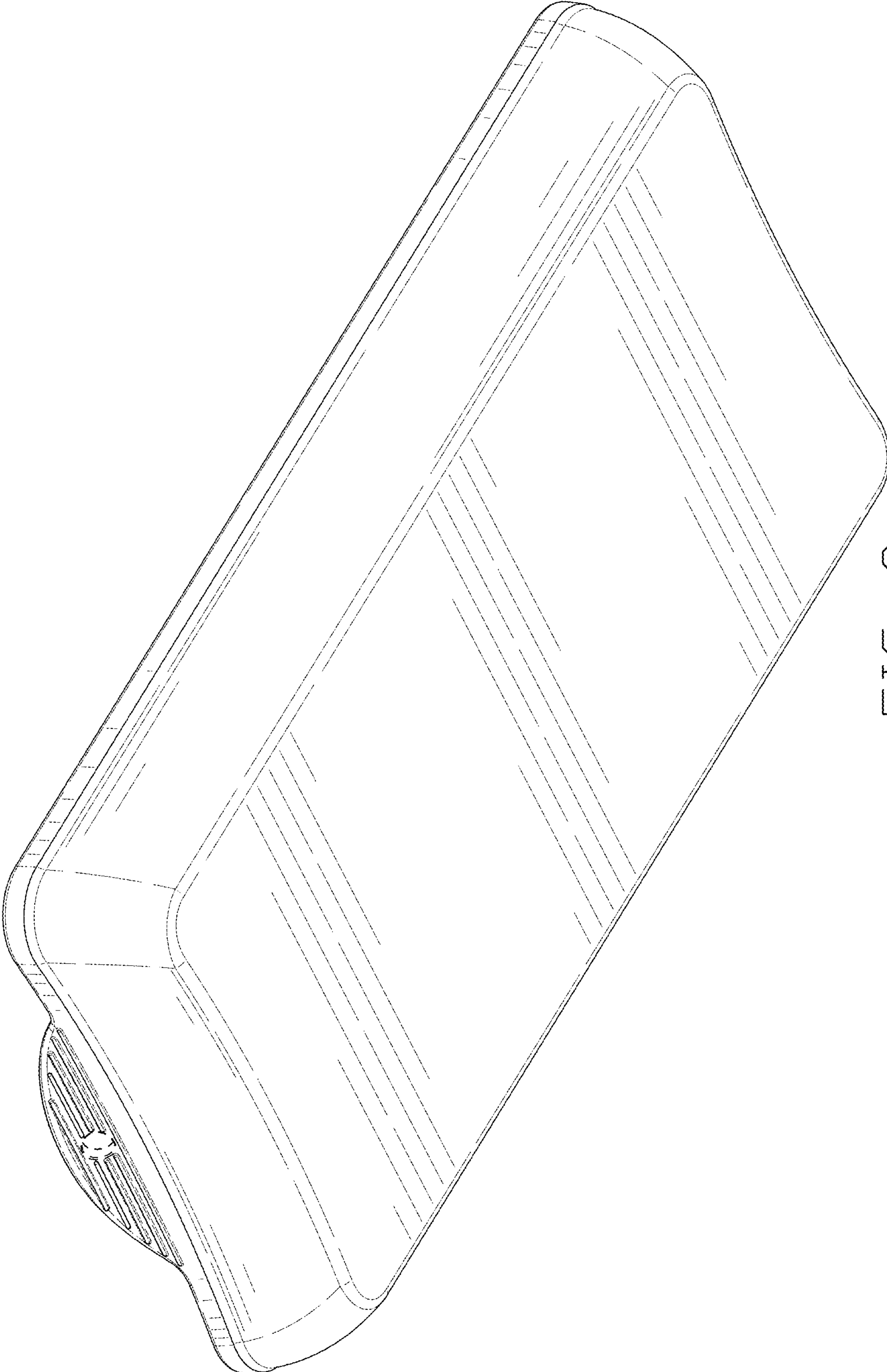


FIG. 2

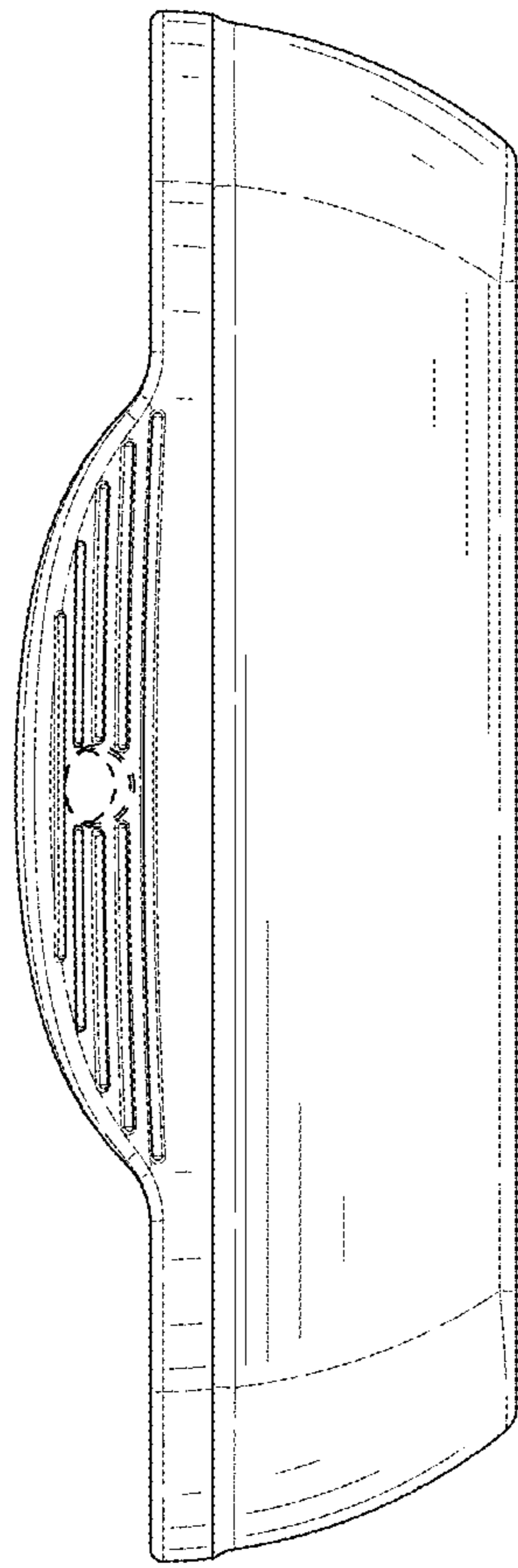


FIG. 3

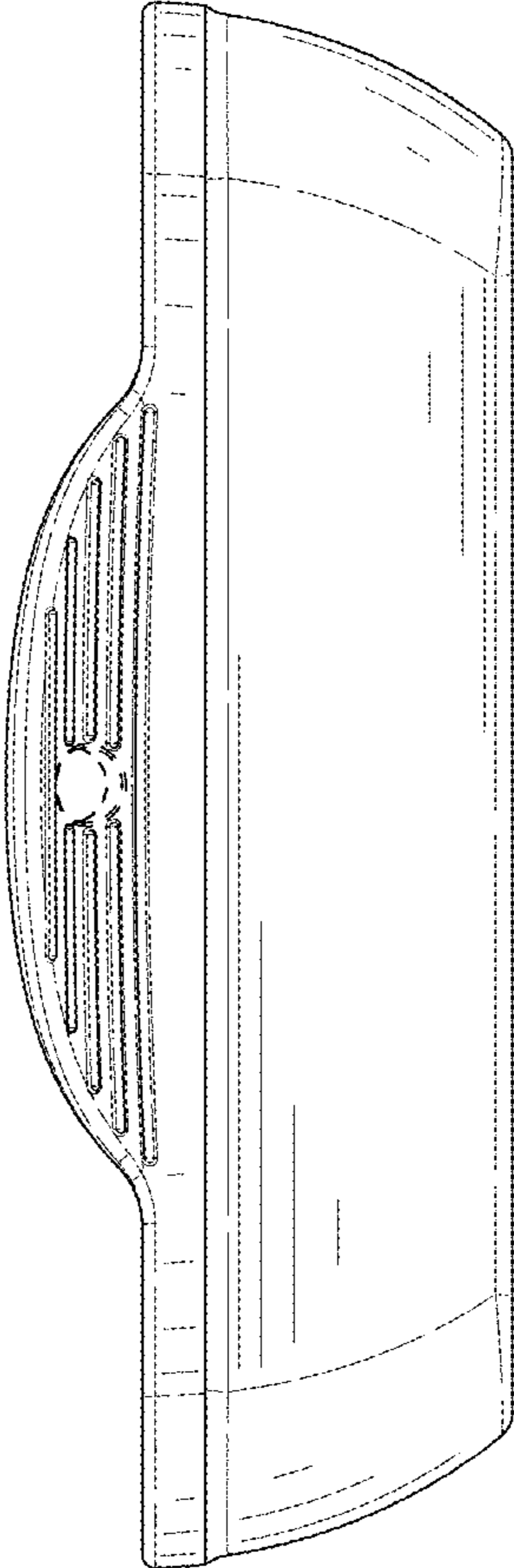


FIG. 4

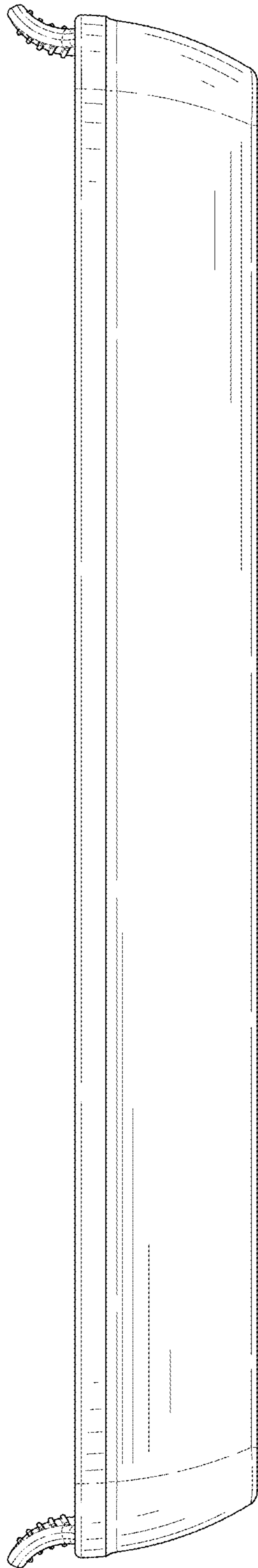


FIG. 5

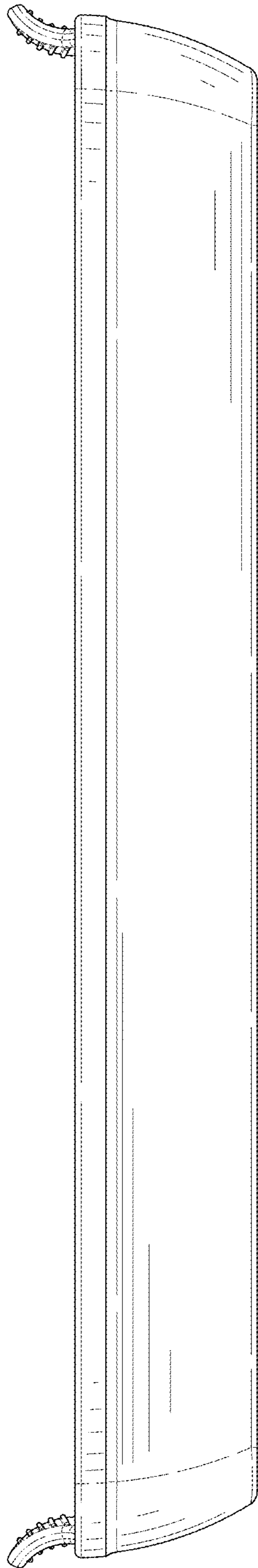


FIG. 6

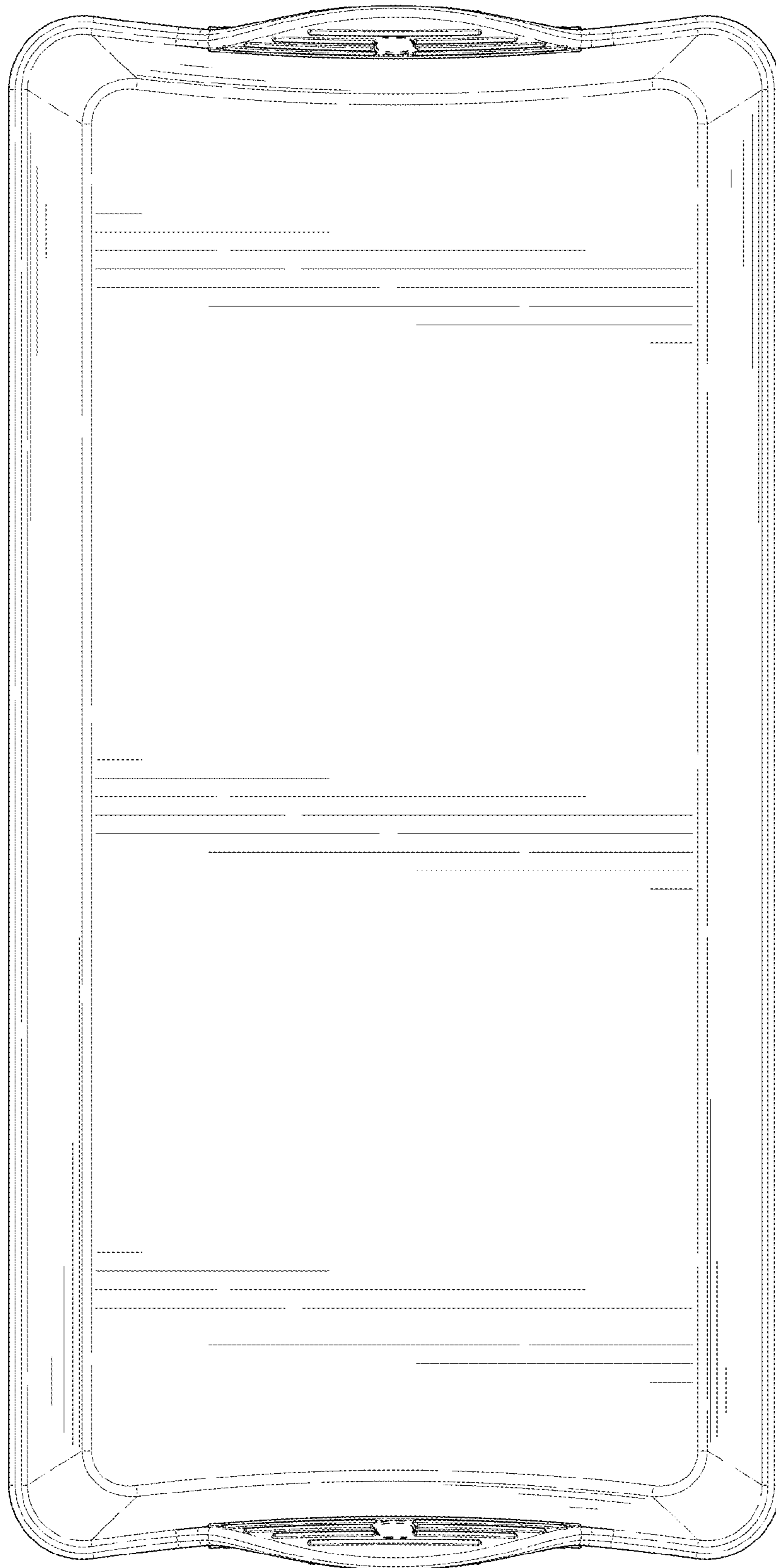


FIG. 7

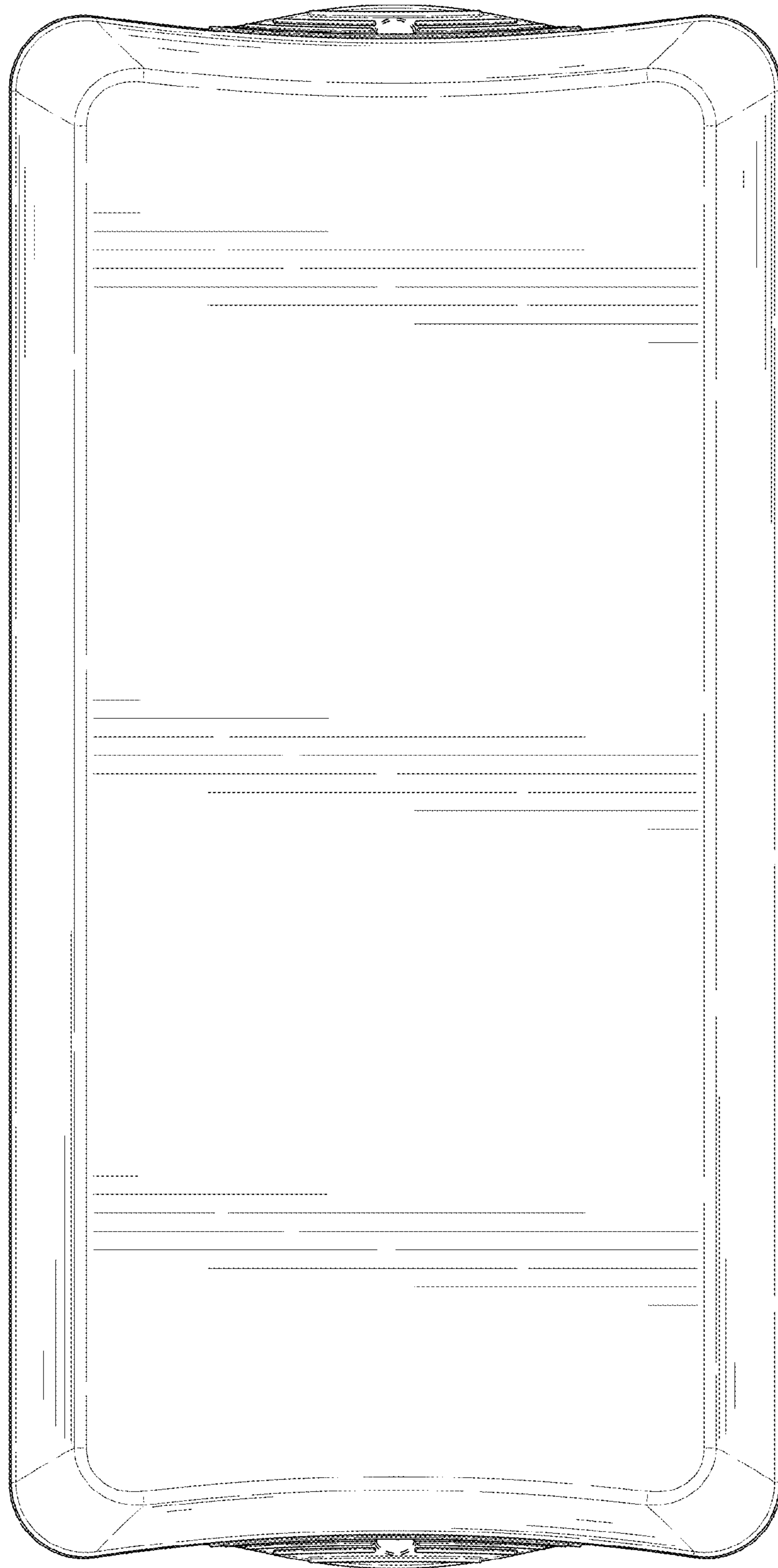


FIG. 8

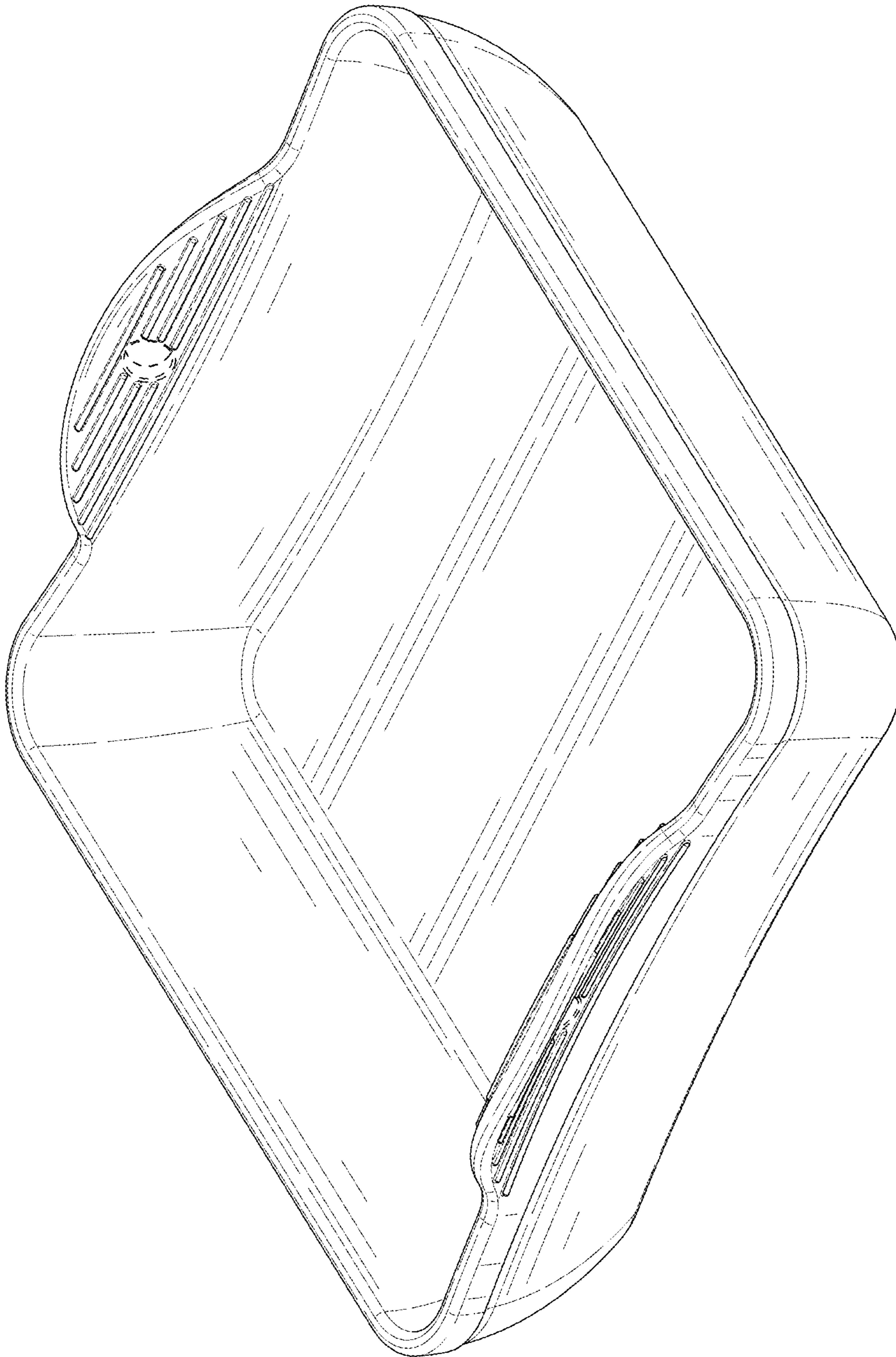


FIG. 9

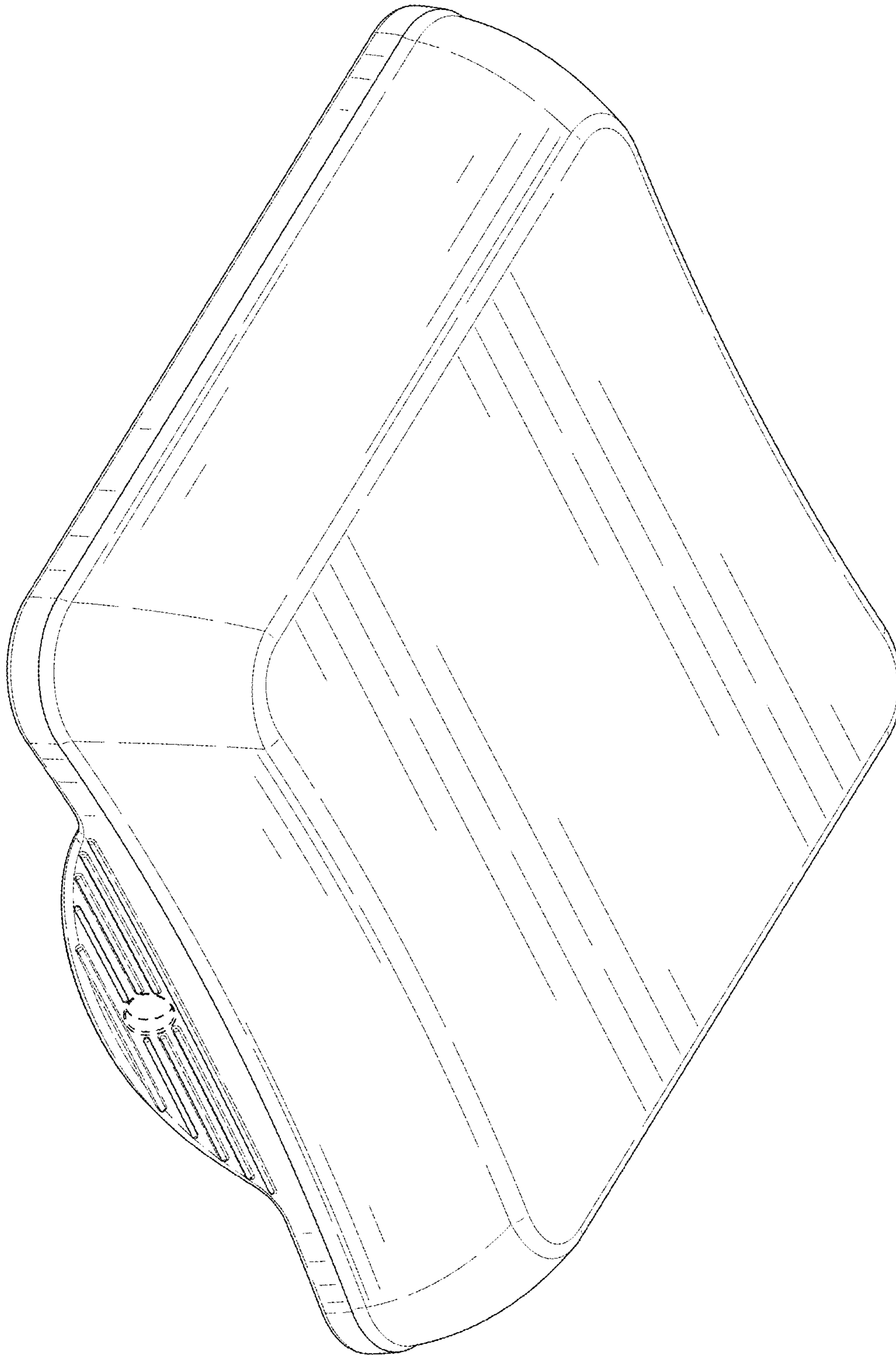


FIG. 10

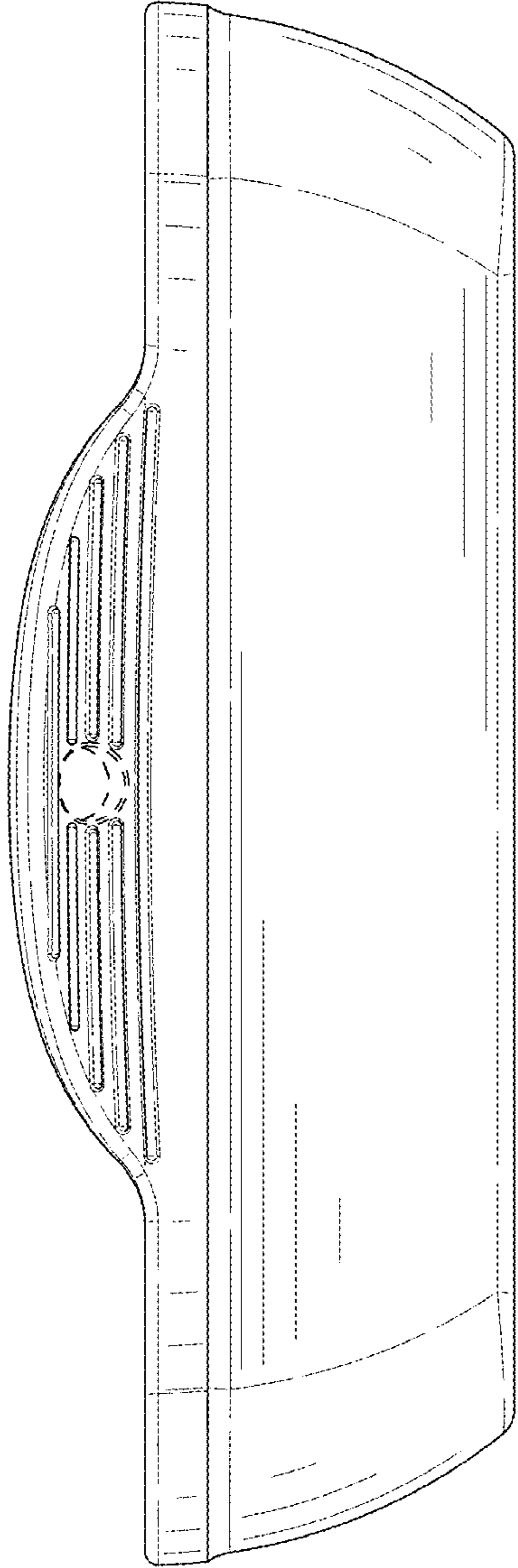


FIG. 11

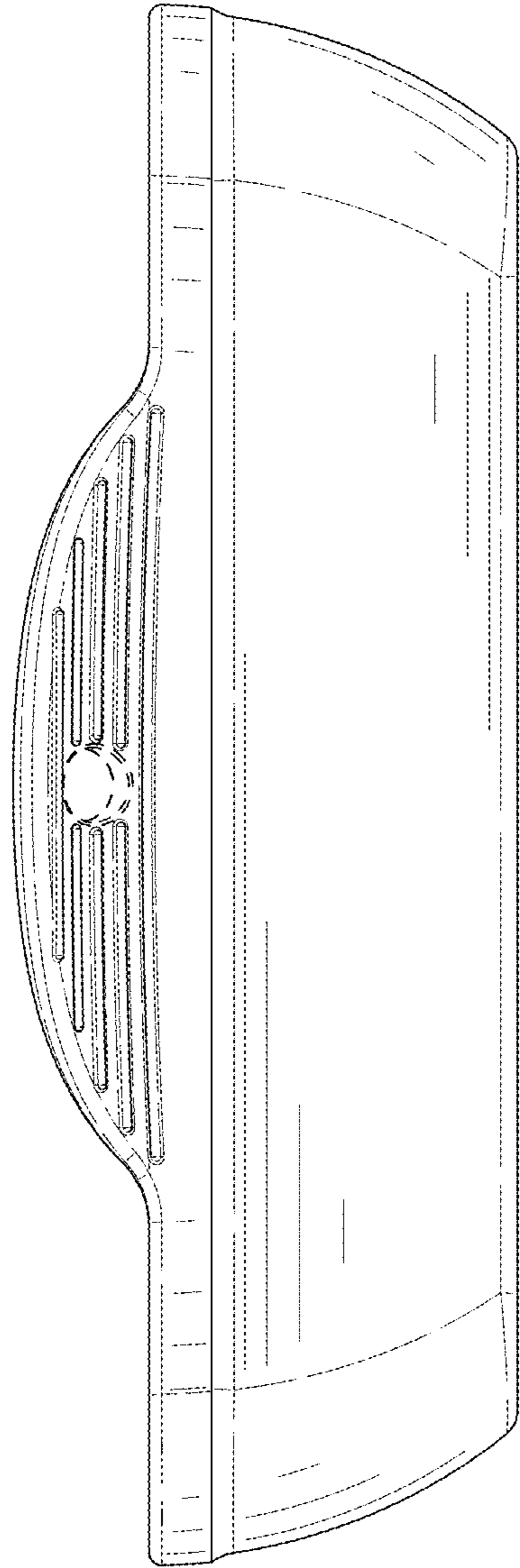


FIG. 12

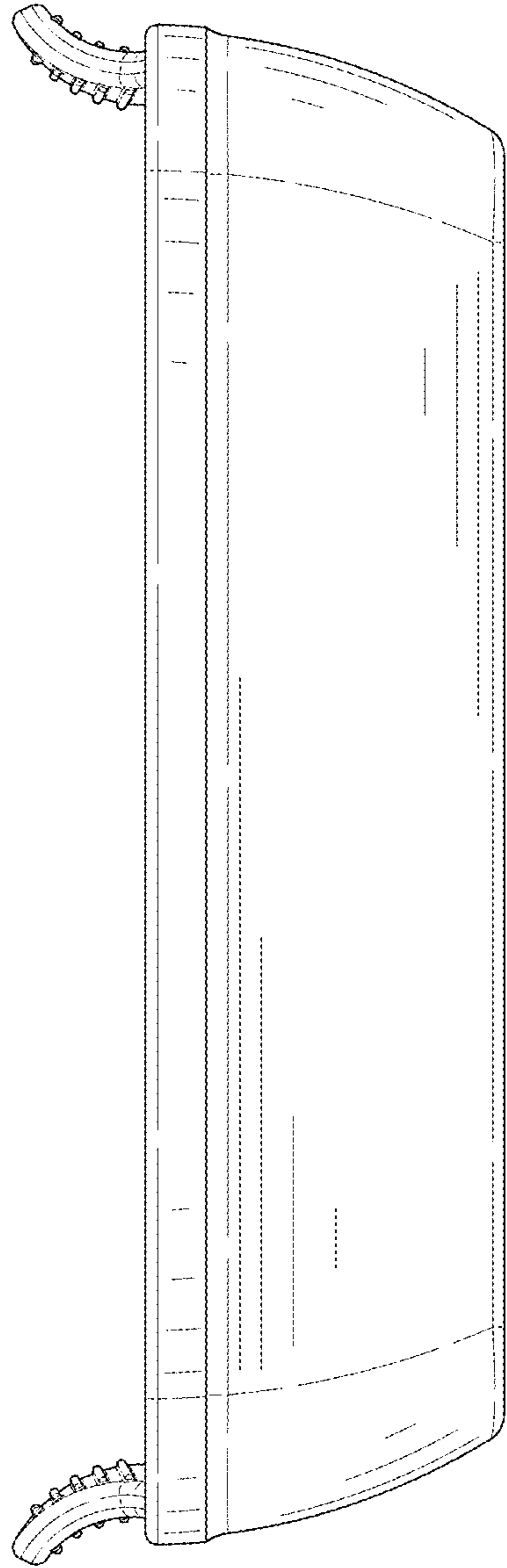


FIG. 13

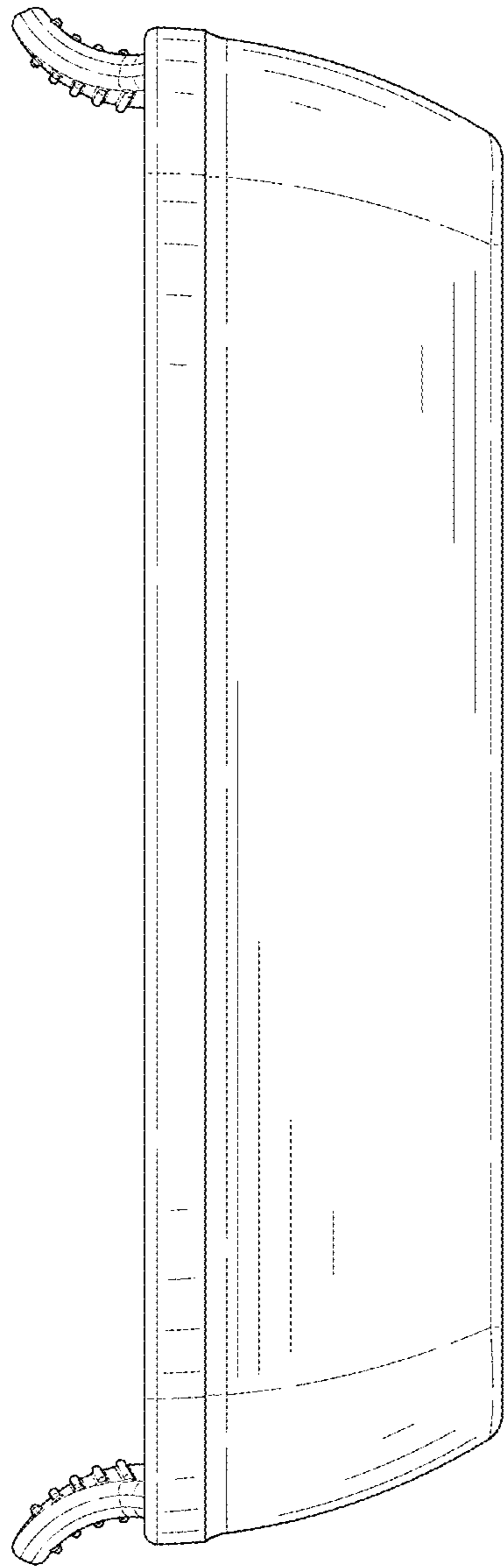


FIG. 14

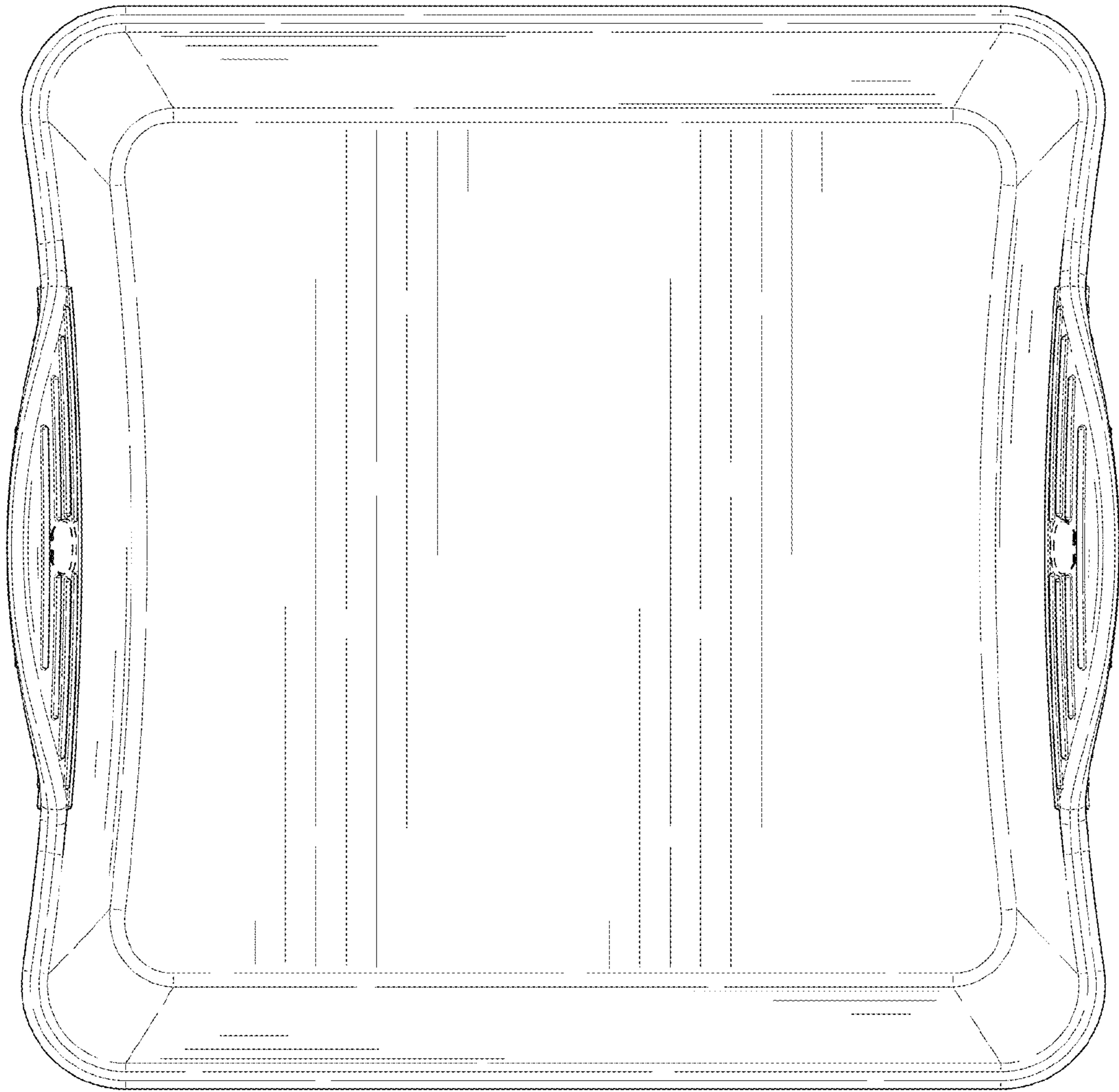


FIG. 15

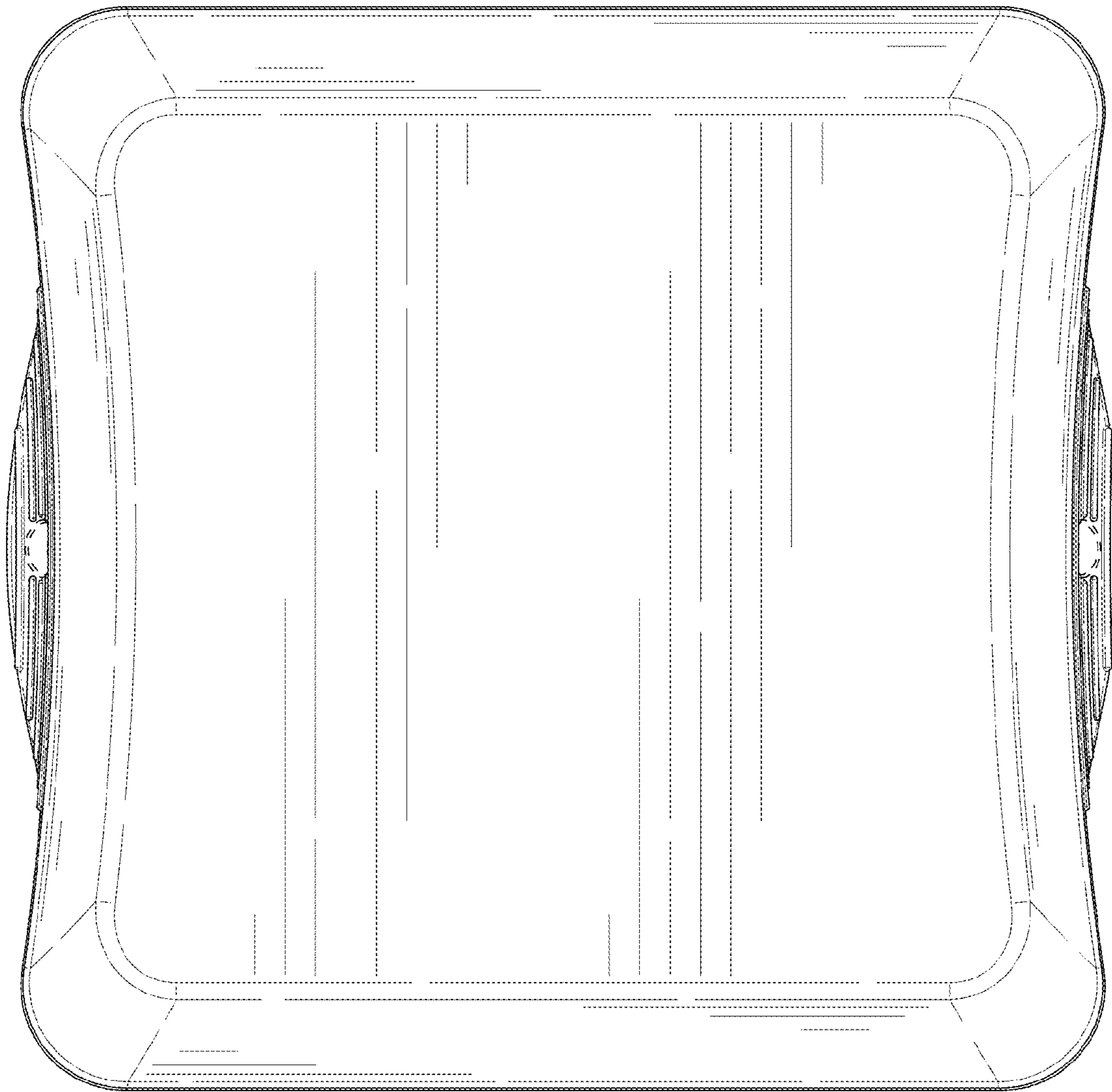


FIG. 16

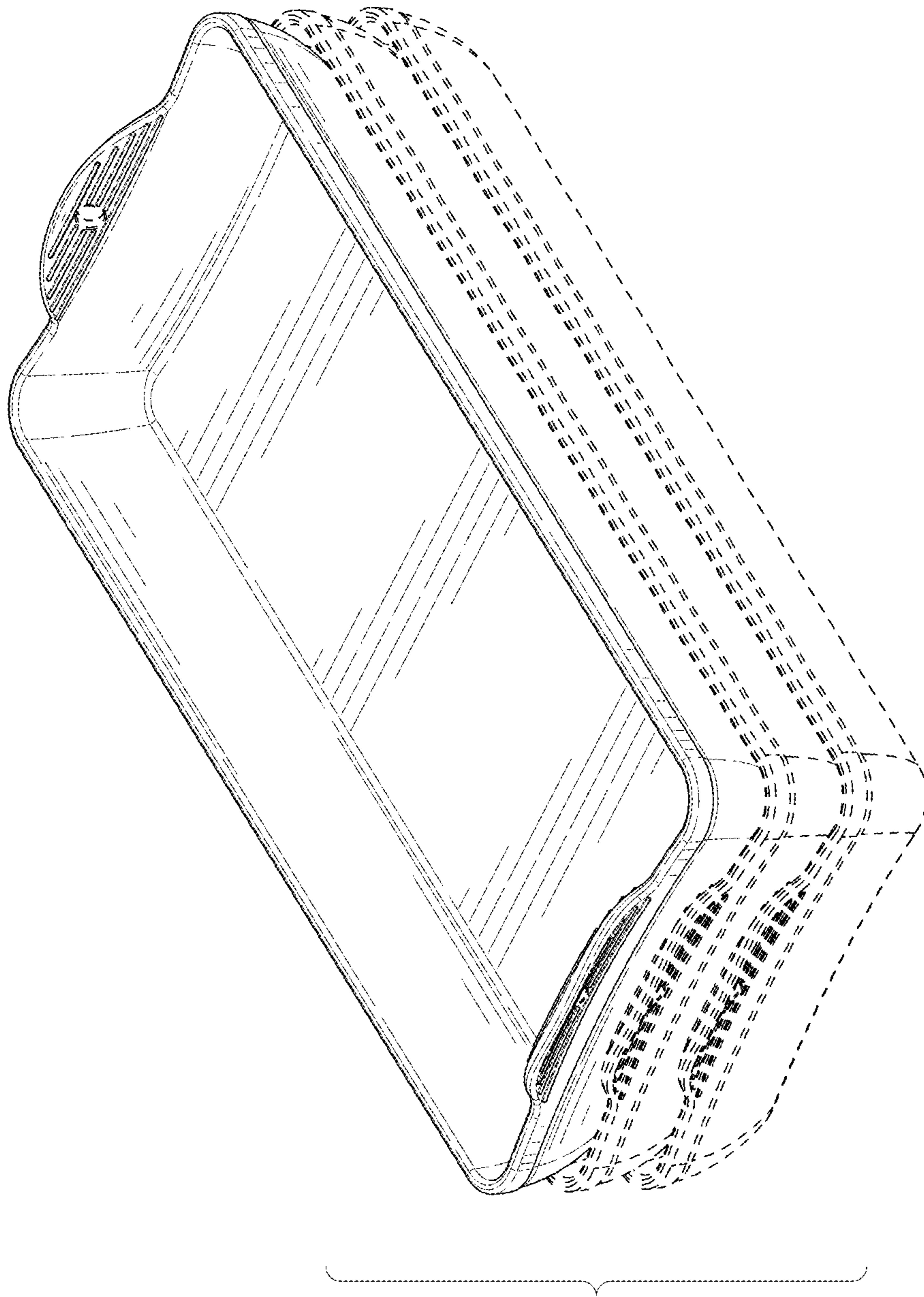


FIG. 17

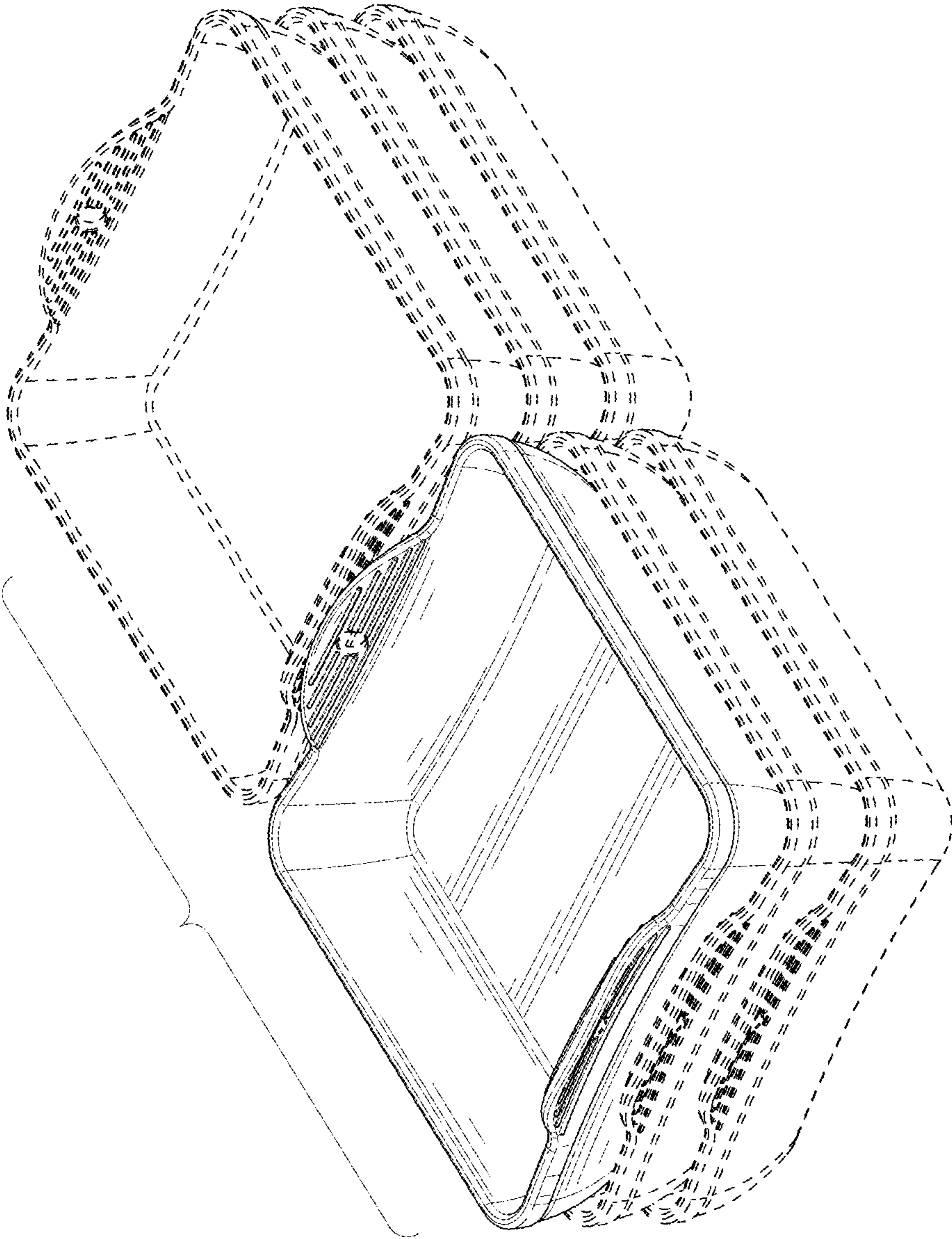


FIG. 18

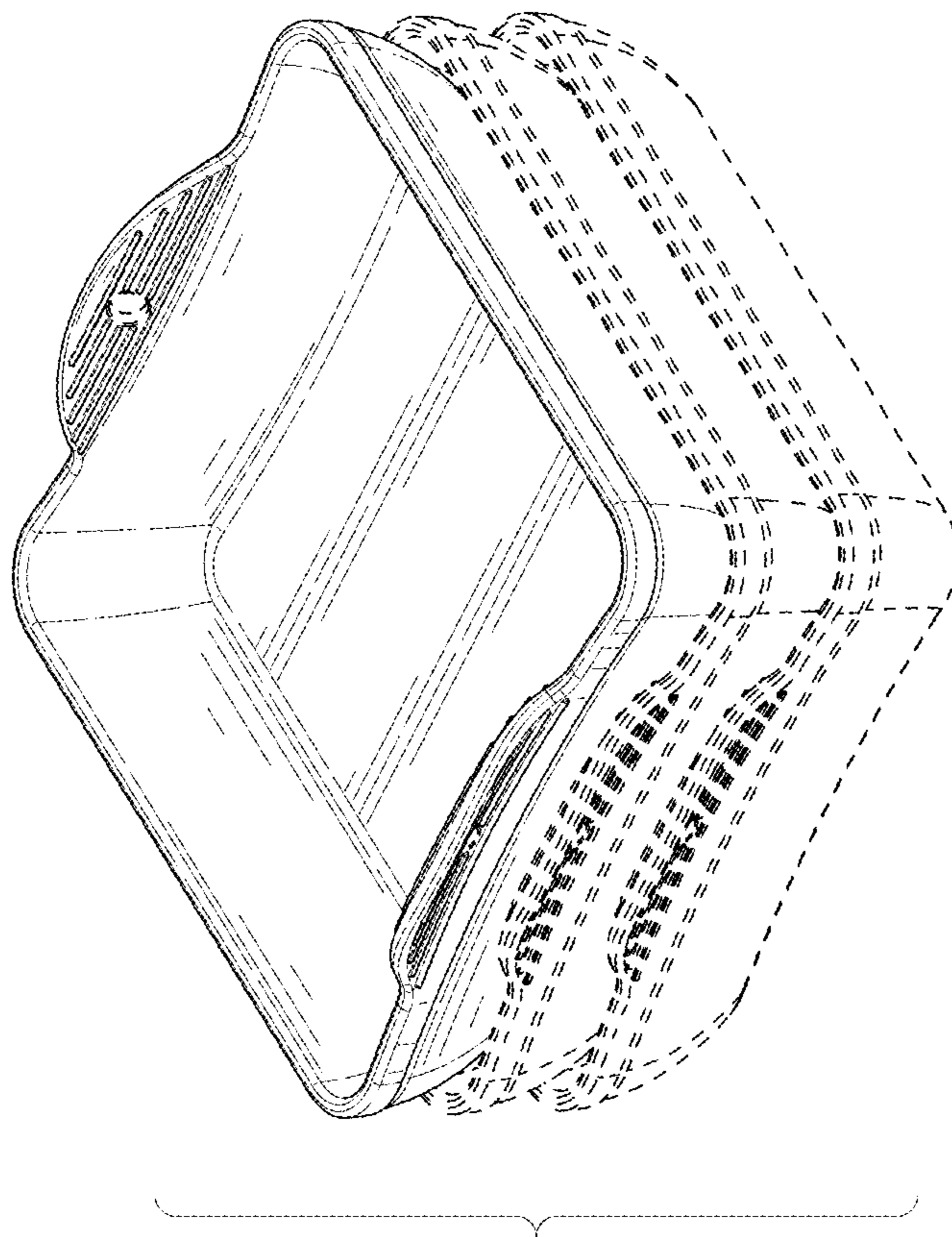


FIG. 19

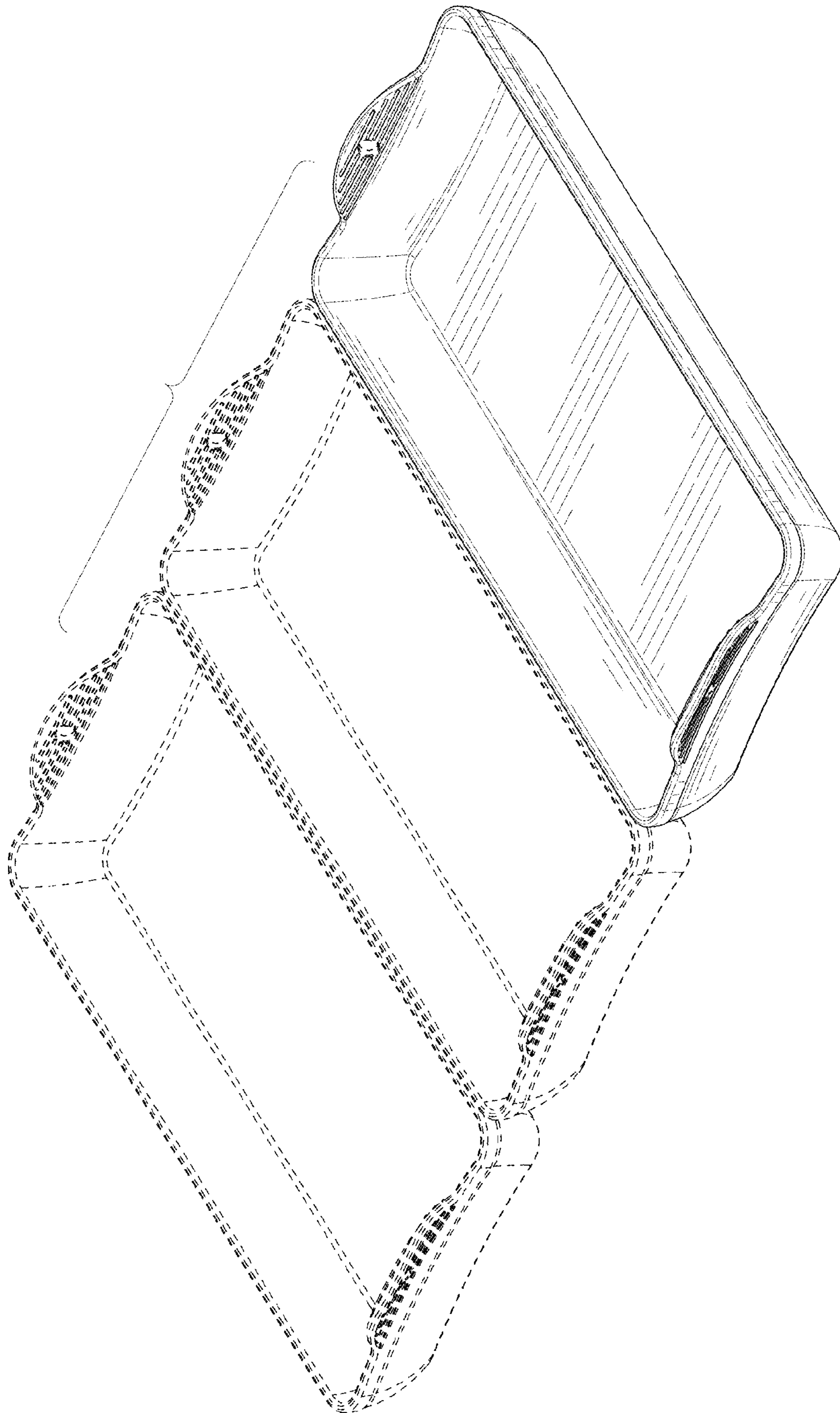


FIG. 20

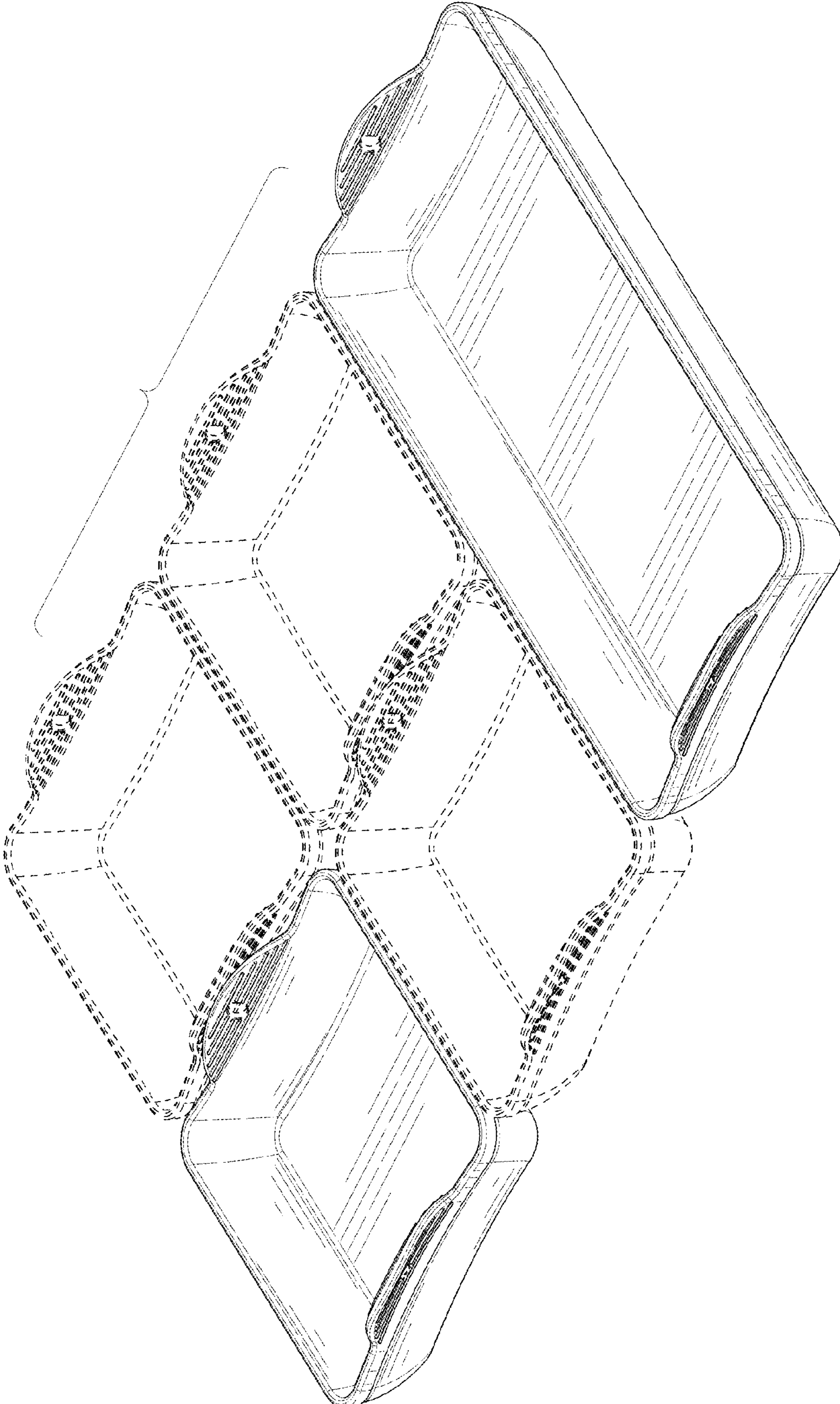


FIG. 21

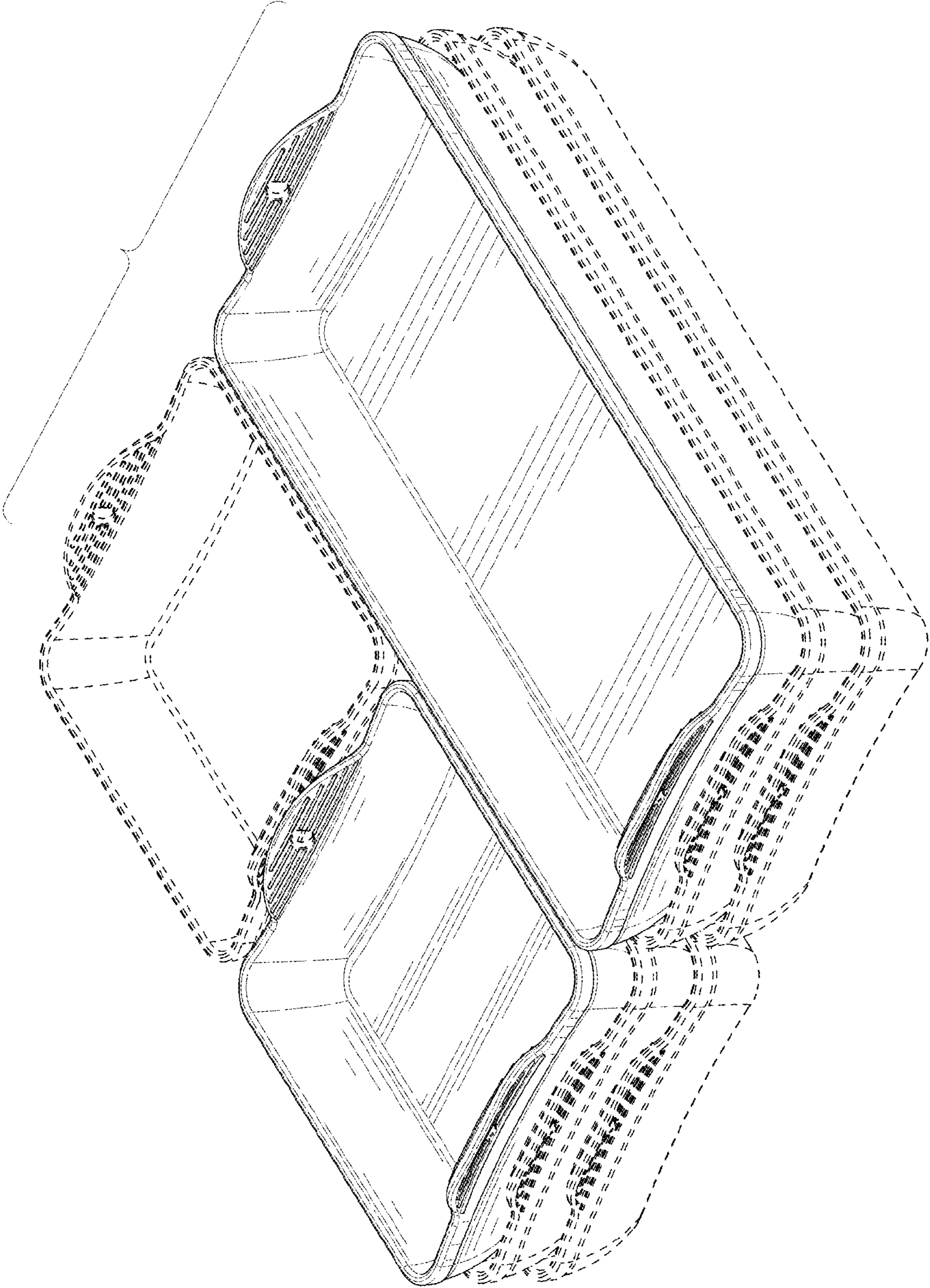


FIG. 22

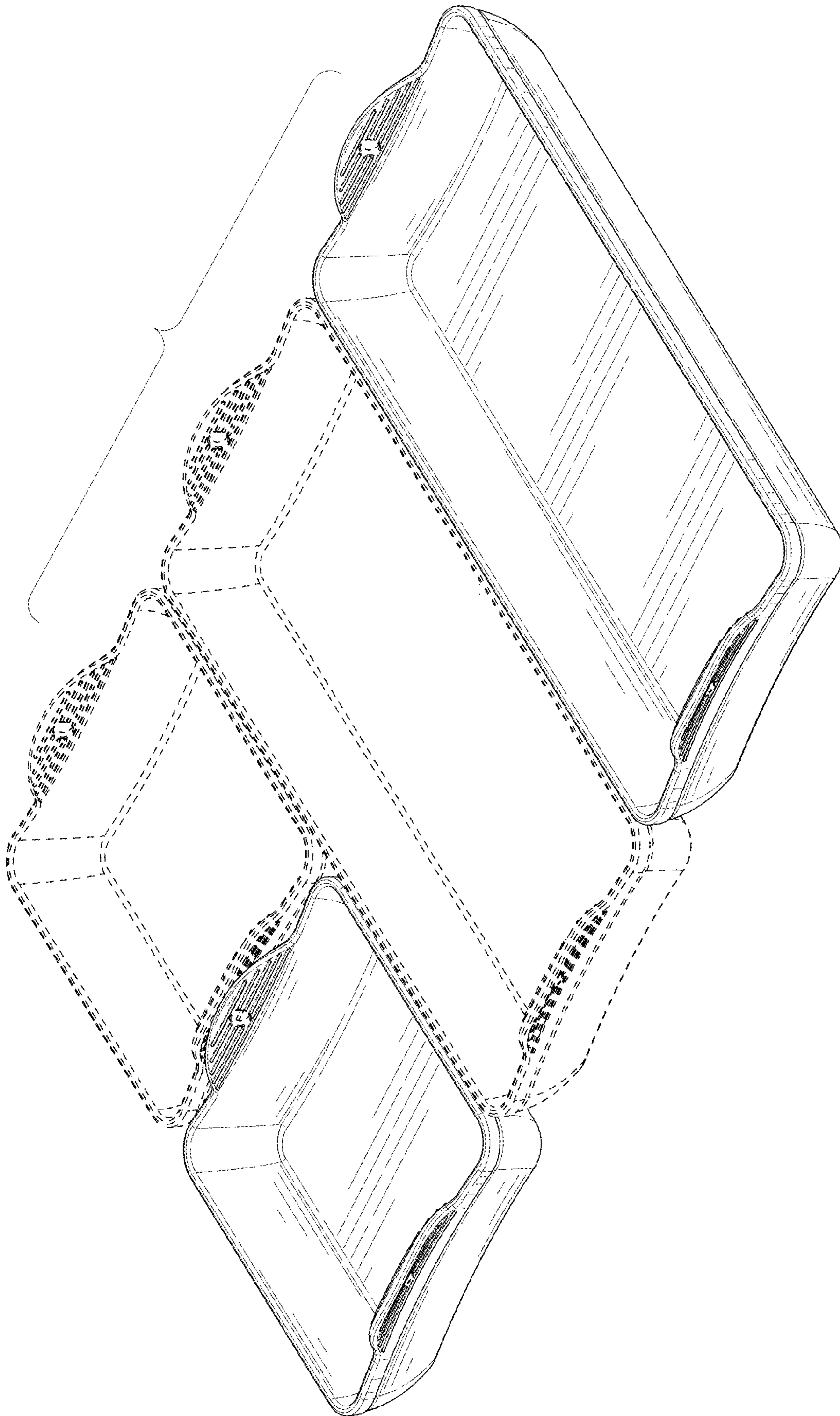


FIG. 23