



US00D966815S

(12) **United States Design Patent** (10) **Patent No.:** **US D966,815 S**
Spruell (45) **Date of Patent:** **** Oct. 18, 2022**

(54) **TACO HOLDER**
(71) Applicant: **William Spruell**, Conroe, TX (US)
(72) Inventor: **William Spruell**, Conroe, TX (US)
(**) Term: **15 Years**
(21) Appl. No.: **29/728,943**
(22) Filed: **Mar. 23, 2020**
(51) **LOC (13) Cl.** **07-01**
(52) **U.S. Cl.**
USPC **D7/504**
(58) **Field of Classification Search**
USPC D7/354, 357, 368, 380-382, 387, 396.1,
D7/412, 500, 502, 504, 505, 538, 550.1,
D7/553.1-553.3, 554.1, 554.3, 555, 557,
D7/584, 586, 601, 602, 665-670,
D7/672-674, 678, 682, 683, 688, 692,
D7/693, 697; D1/122; D3/304; D6/536;
D9/425, 432, 756, 759, 761; D15/90;
D19/75
CPC .. A47G 19/06; A47G 19/30; A47G 2019/306;
A47J 37/01; A47J 37/1295
See application file for complete search history.

D668,507 S * 10/2012 Williamson D7/504
D770,243 S * 11/2016 Esquivel D7/672
D779,271 S * 2/2017 Simon D7/504
D876,179 S * 2/2020 Klipshtein A47J 37/1295
D7/666

OTHER PUBLICATIONS

Taco Stand Up Holders, first available Jul. 24, 2013, Amazon, [online], [site visited Dec. 17, 2021], Available from internet URL: <https://www.amazon.com/Taco-Stand-Up-Holders-Pack/dp/B00E4WF1QI> (Year: 2013).*
Taco Proper Taco Holder FiestaPak, Bed Bath and Beyond, [online], [site visited Dec. 17, 2021], Available from internet URL: <https://www.bedbathandbeyond.com/store/product/tacoproper-reg-taco-holder-fiestapak-trade-set-of-12/1017276840> (Year: 2021).*

* cited by examiner

Primary Examiner — Mary Ann Calabrese
Assistant Examiner — Natalya M Rapundalo
(74) *Attorney, Agent, or Firm* — Phillip Black; Dossey & Jones PLLC

(57) **CLAIM**

The ornamental design for a taco holder, as shown and scribed.

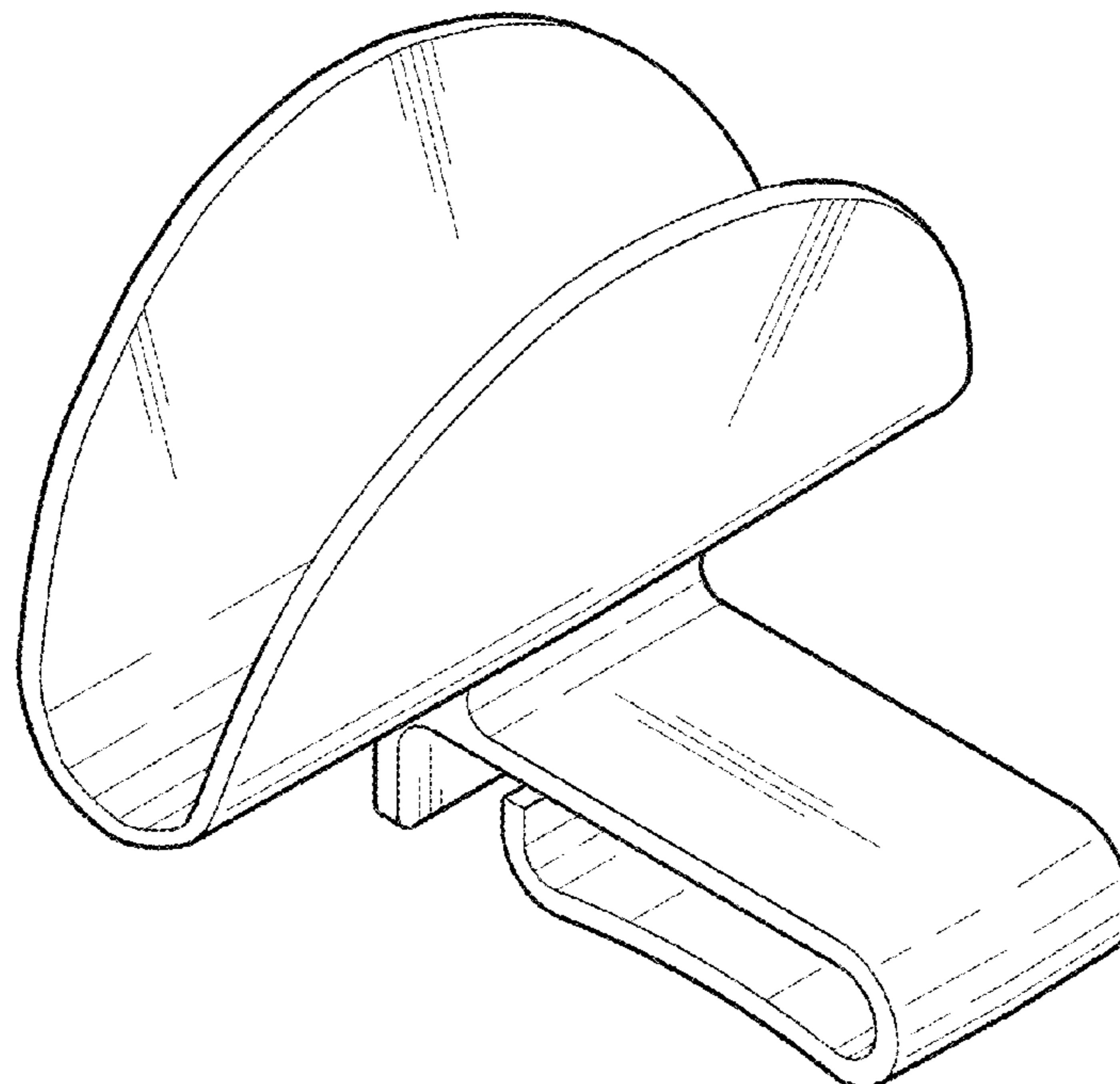
DESCRIPTION

FIG. 1 is a front perspective side view of the taco holder; FIG. 2 is a left side elevation view thereof, and, though not shown, the right side elevation view is a mirror image of FIG. 2;
FIG. 3 is a rear side elevation view thereof;
FIG. 4 is a front side elevation view thereof;
FIG. 5 is a top plan view thereof; and,
FIG. 6 is a bottom plan view thereof.

1 Claim, 2 Drawing Sheets

(56) **References Cited**
U.S. PATENT DOCUMENTS

2,664,812 A * 1/1954 Molina A47J 37/1295
249/120
D282,338 S * 1/1986 Putt D7/504
D291,269 S * 8/1987 Richards D7/504
D300,707 S * 4/1989 Walmesley D7/504
D319,372 S * 8/1991 Cobb D7/504
D350,671 S * 9/1994 Asner D7/504
D514,397 S * 2/2006 Zellmer D7/665



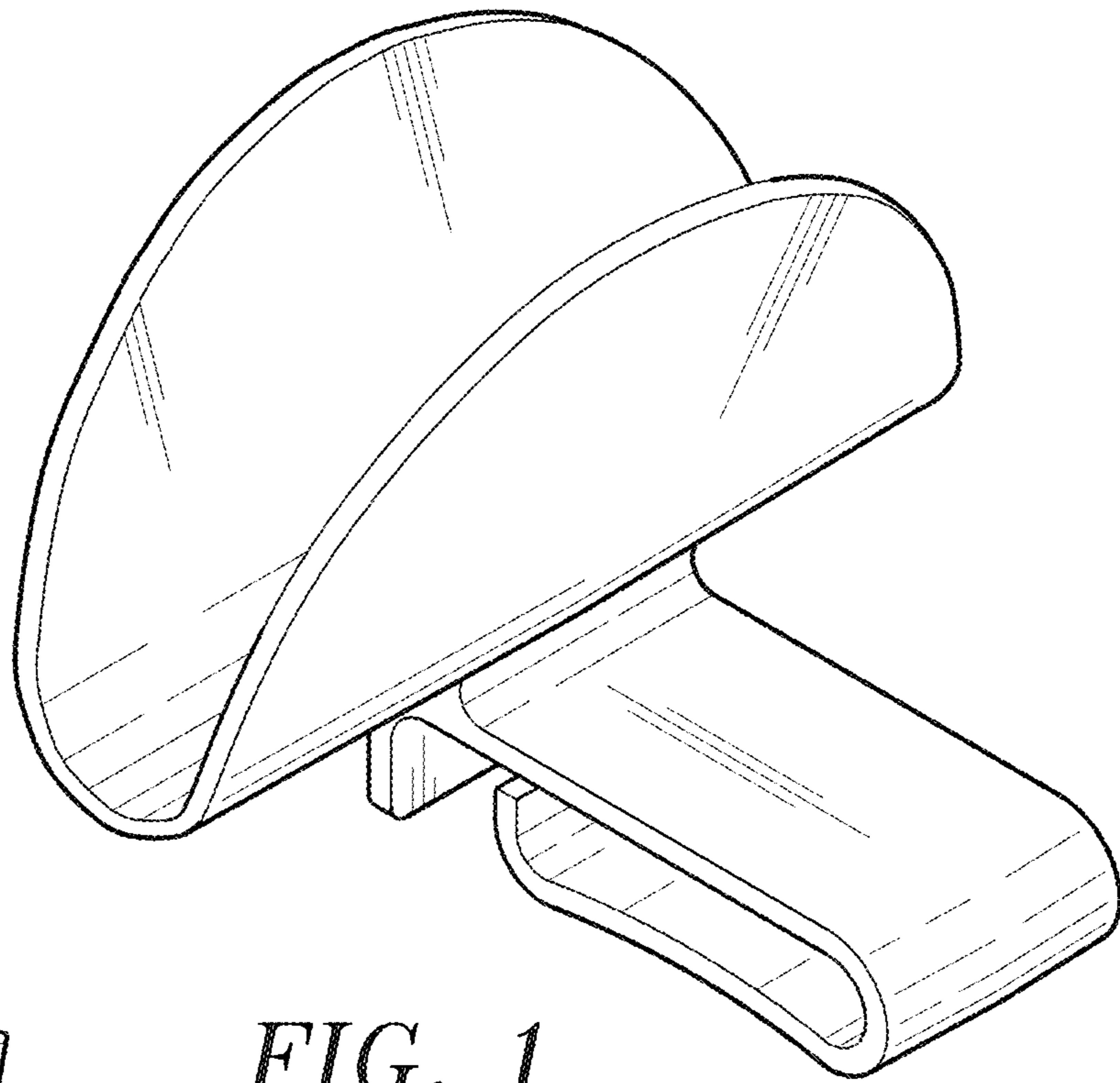


FIG. 1

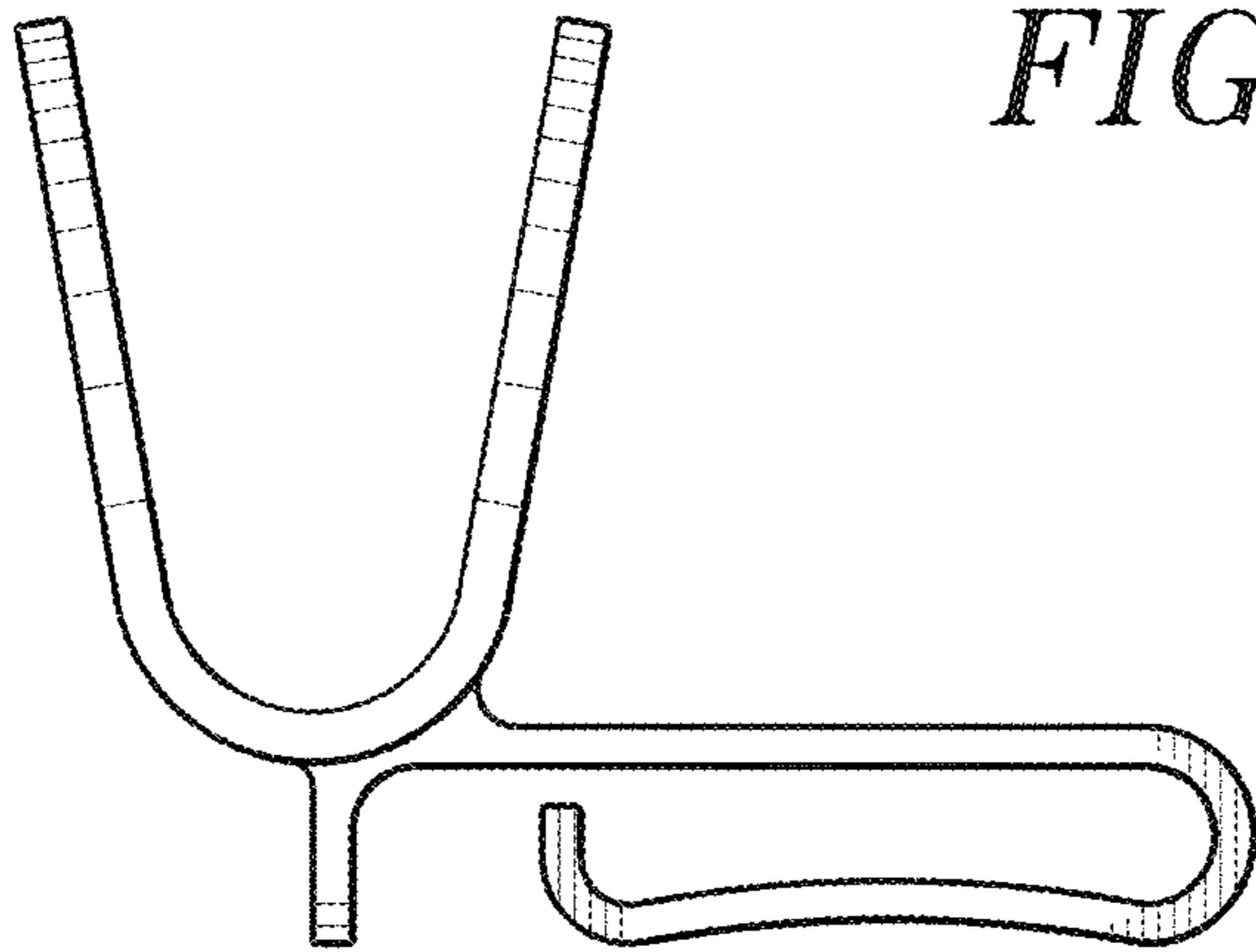


FIG. 2

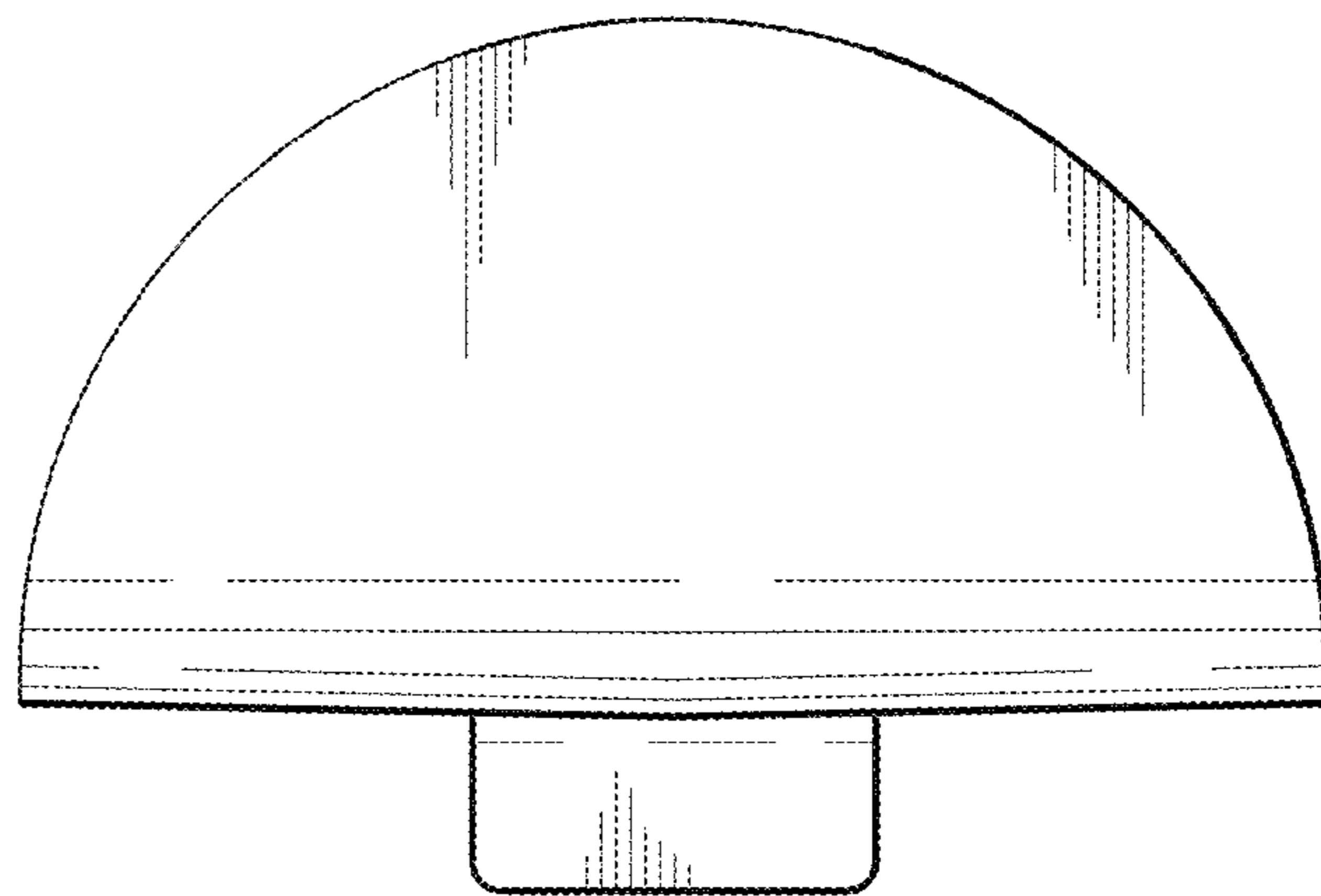


FIG. 3

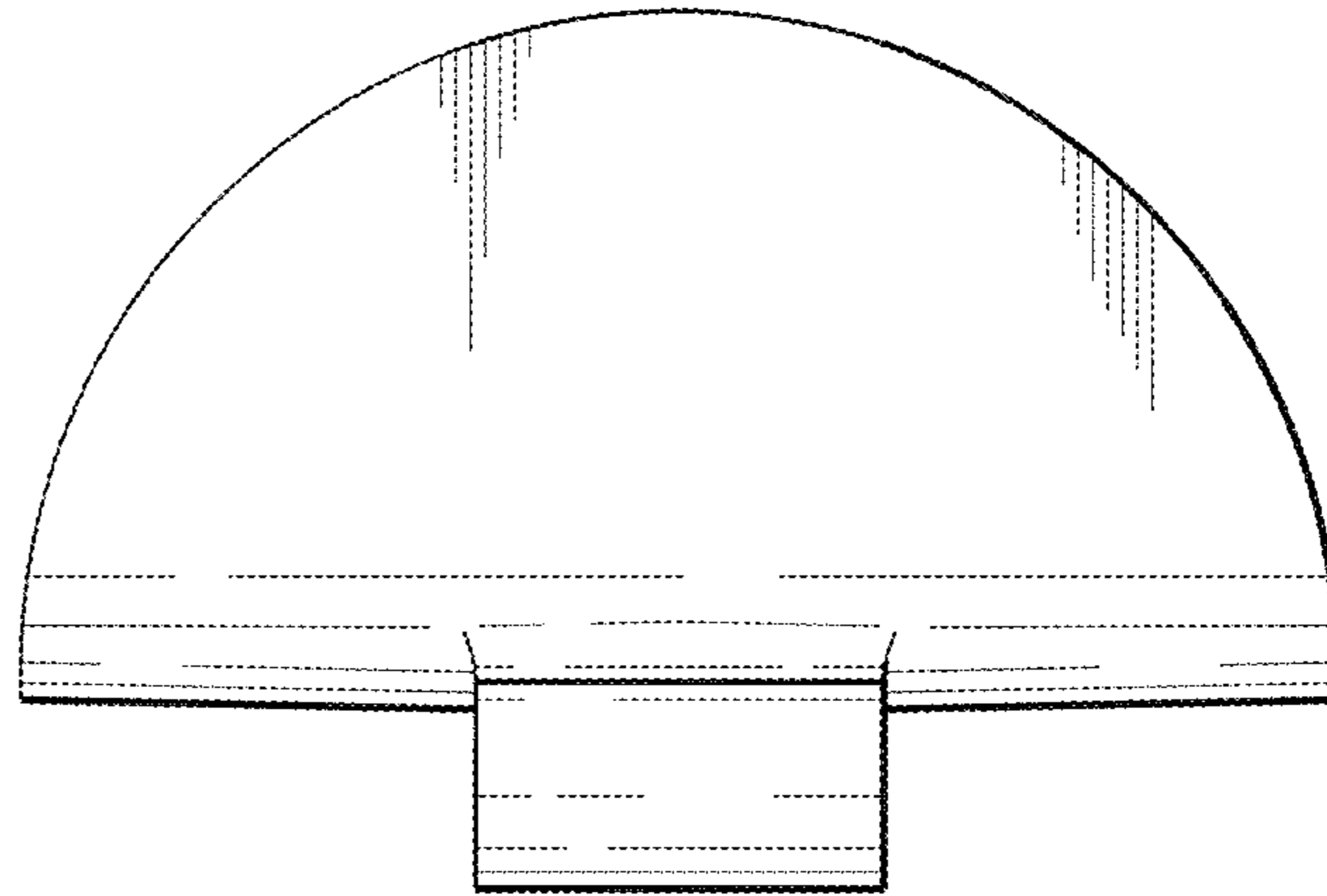


FIG. 4

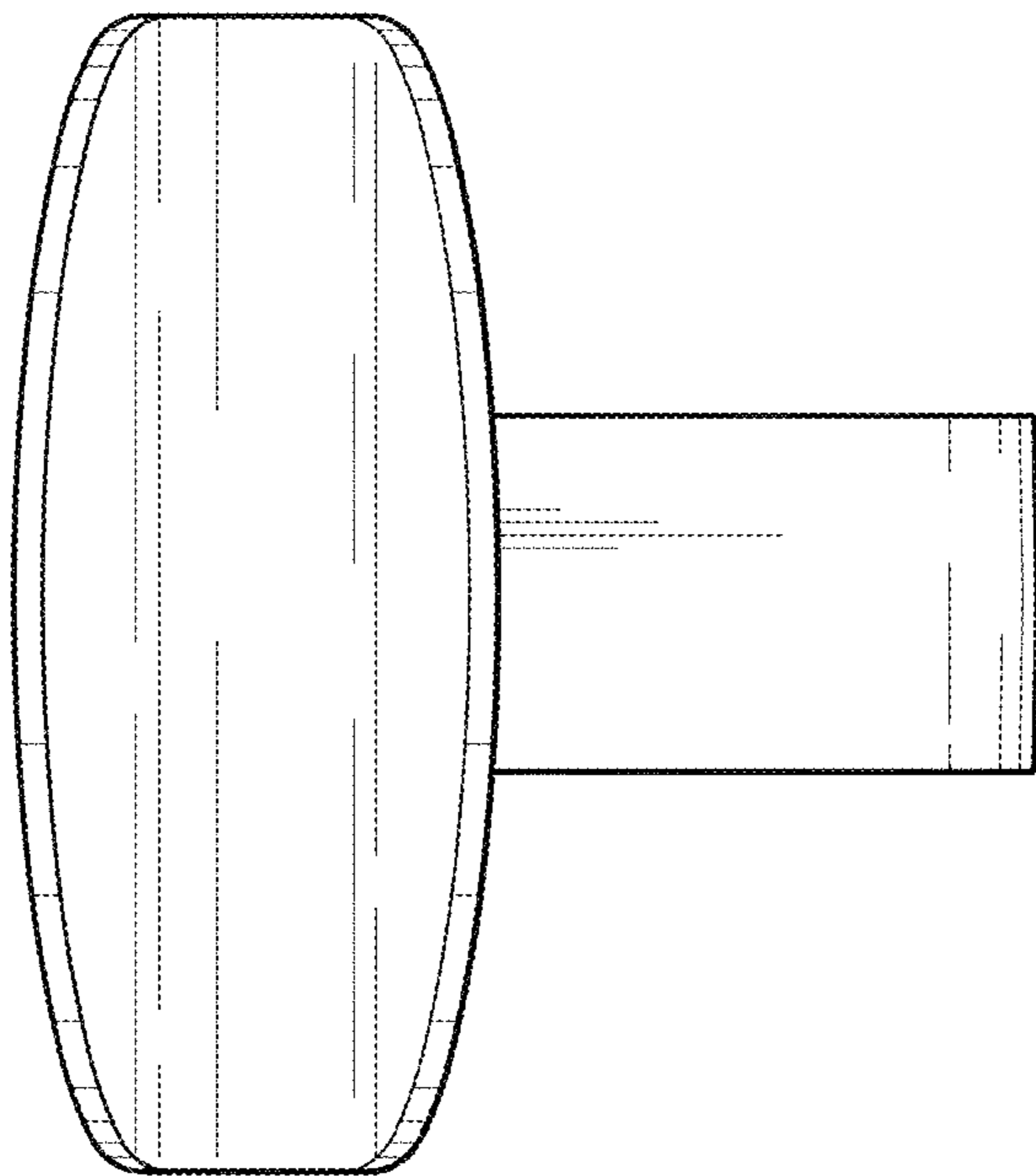


FIG. 5

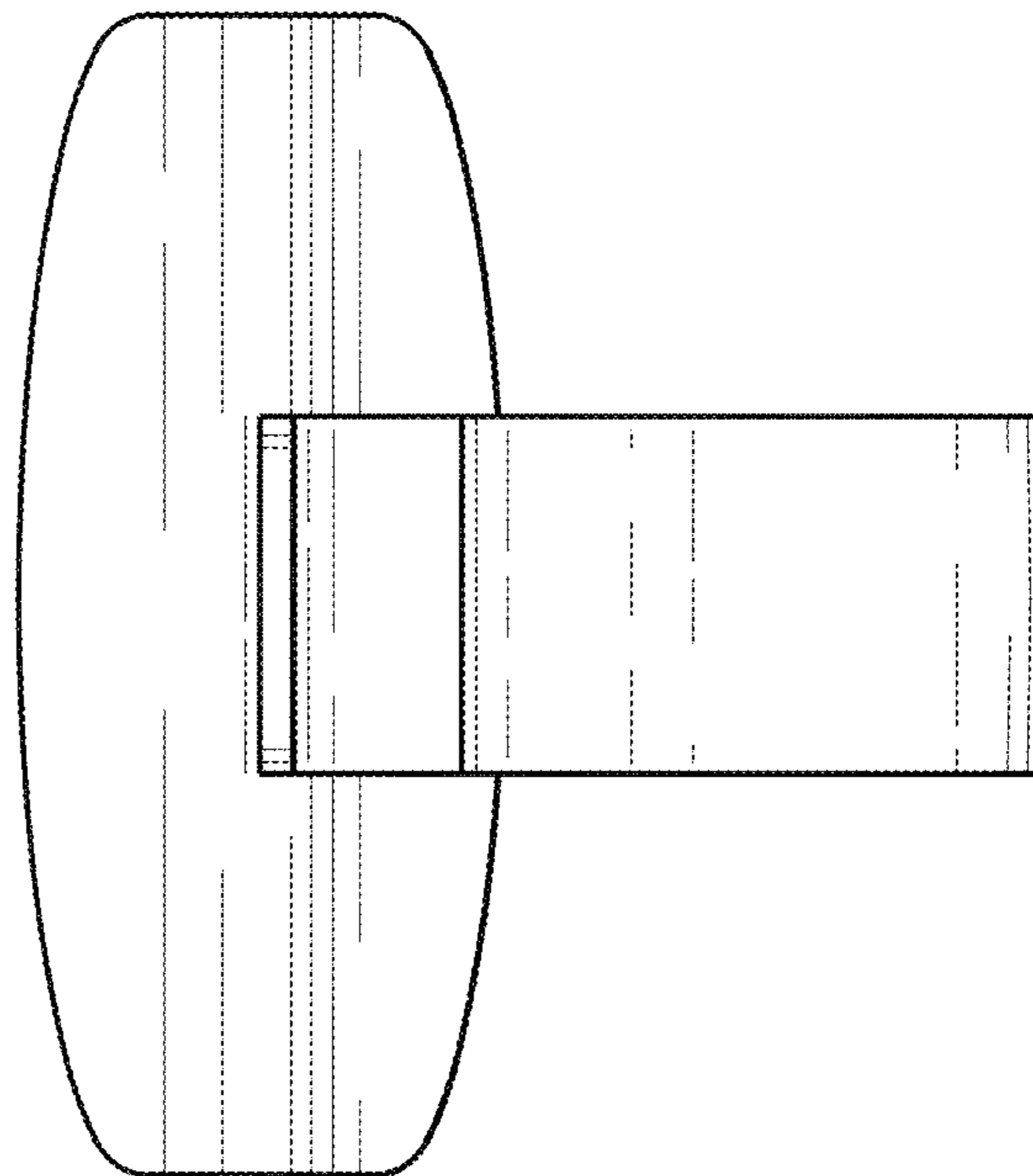


FIG. 6