



US00D966814S

(12) **United States Design Patent**
Tada

(10) **Patent No.:** **US D966,814 S**
(45) **Date of Patent:** **** Oct. 18, 2022**

(54) **GAS BURNER**
(71) Applicant: **Iwatani Corporation**, Osaka (JP)
(72) Inventor: **Tsuyoshi Tada**, Tokyo (JP)
(**) Term: **15 Years**

D477,747 S * 7/2003 Hsu D7/416
D527,949 S * 9/2006 Xu D7/416
D589,749 S * 4/2009 Leavens D7/407
D618,059 S * 6/2010 Huang D7/416
7,942,665 B2 * 5/2011 Kotani F23D 14/72
431/153
D806,461 S * 1/2018 Upston D7/323
(Continued)

(21) Appl. No.: **35/512,028**

(22) Filed: **Dec. 17, 2020**

(80) **Hague Agreement Data**

Int. Filing Date: **Dec. 17, 2020**
Int. Reg. No.: **DM/211903**
Int. Reg. Date: **Dec. 17, 2020**
Int. Reg. Pub. Date: **Jun. 18, 2021**

(30) **Foreign Application Priority Data**

Jun. 30, 2020 (JP) 2020-013166

(51) **LOC (13) Cl.** **07-02**

(52) **U.S. Cl.**
USPC **D7/416**

(58) **Field of Classification Search**

USPC D7/300, 300.2, 302, 306, 311, 318, 319,
D7/323, 337, 350.1, 354, 358, 381, 407,
D7/416, 510, 511, 524, 530, 536, 554.2,
D7/562, 598, 605, 608, 622, 609, 650,
D7/709

CPC . A23G 23/00; A23L 5/10; A47G 23/00; A47J
43/28; B24B 9/12; Y10S 215/05; Y10S
215/06; A63H 33/3055

See application file for complete search history.

(56) **References Cited**

U.S. PATENT DOCUMENTS

D354,196 S * 1/1995 Inoue D7/416
D382,444 S * 8/1997 Ferrara, Jr. D7/416
D407,604 S * 4/1999 Liang D7/416
D415,389 S * 10/1999 Ferrara, Jr. D7/416
D464,530 S * 10/2002 Lu D7/407
D472,764 S * 4/2003 Hsu D7/416

OTHER PUBLICATIONS

Iwatani Cassette Gas Cooking Torch Burner, date unknown, found on Jul. 30, 2022 at https://www.ebay.com/itm/393781354178?chn=ps&_trkparms=ispr%3D1&amdata=enc%3A1QuCovb4HTB-KjXWqb2O5YQ54 (Year: 2022).*

Primary Examiner — Karen S Acker

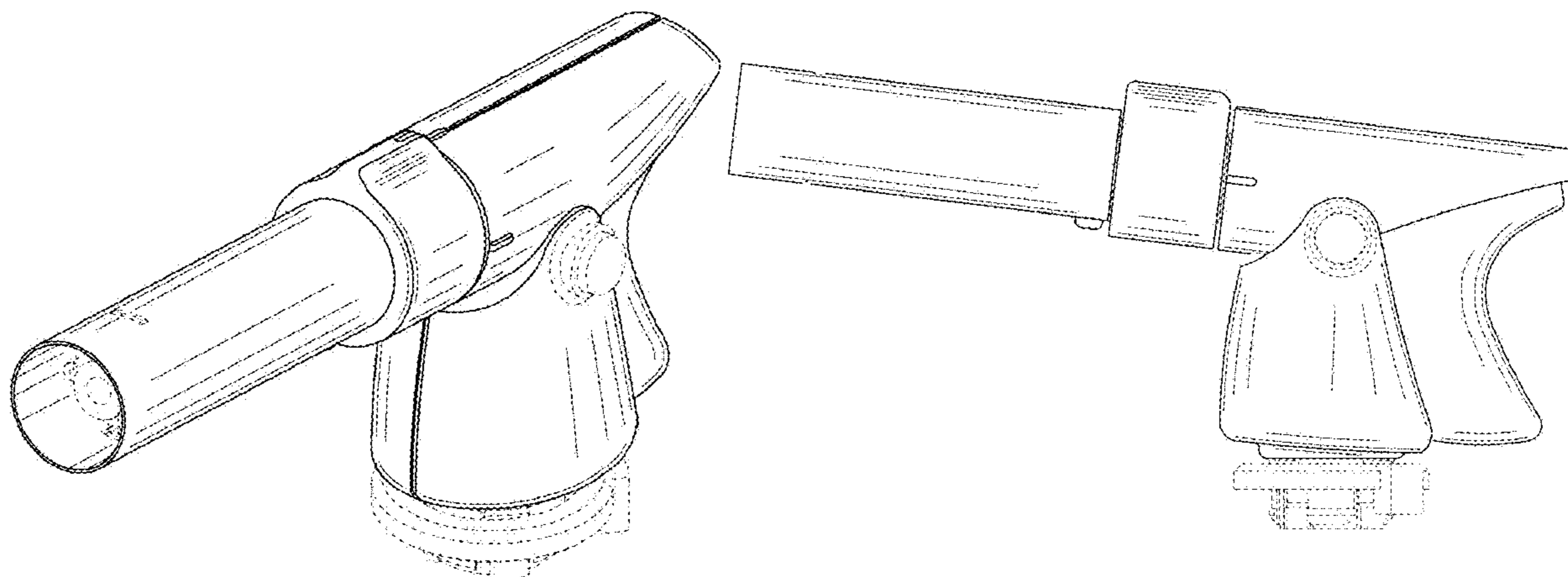
(57) **CLAIM**

The ornamental design for a gas burner, as shown and described.

DESCRIPTION

1. Gas burner
1.1: Perspective
1.2: Perspective
1.3: Perspective
1.4: Front
1.5: Back
1.6: Right
1.7: Left
1.8: Top
1.9: Bottom
1.10: Enlarged view of the area slightly above the center in figure 1.3
1.11: Perspective view of the gas burner of figure 1.1 in a position of use.
This article is a gas burner used for cooking; the broken lines in the figures depict portions of the gas burner that form no part of the claimed design. The additional broken lines in figure 1.11 depict environmental subject matter that forms no part of the claimed design.

1 Claim, 11 Drawing Sheets



(56)

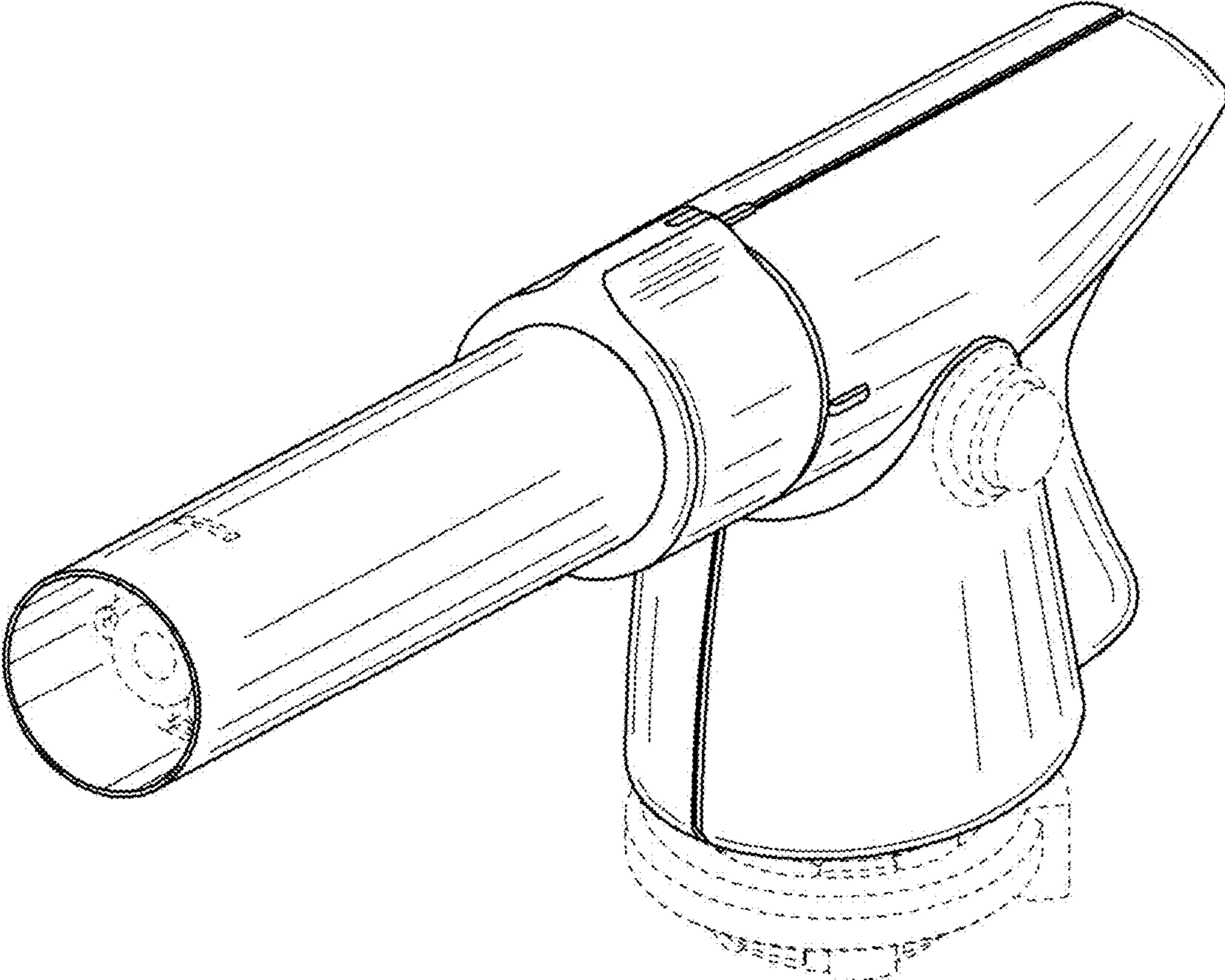
References Cited

U.S. PATENT DOCUMENTS

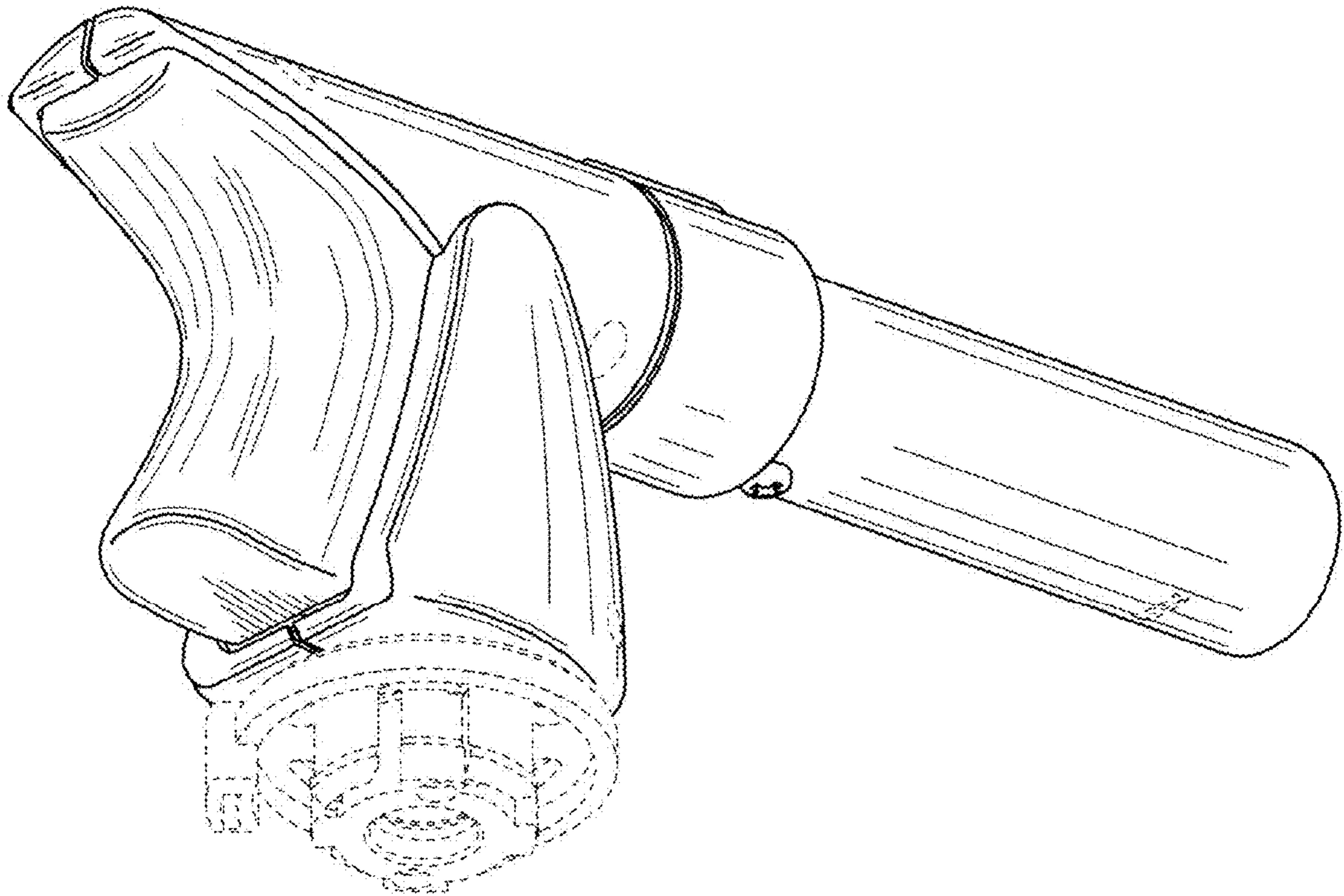
D809,343 S * 2/2018 Kotani D7/416
D811,795 S * 3/2018 Upston F23D 14/72
D7/323
D867,413 S * 11/2019 Tsai D15/144
D894,246 S * 8/2020 Tsai D7/416

* cited by examiner

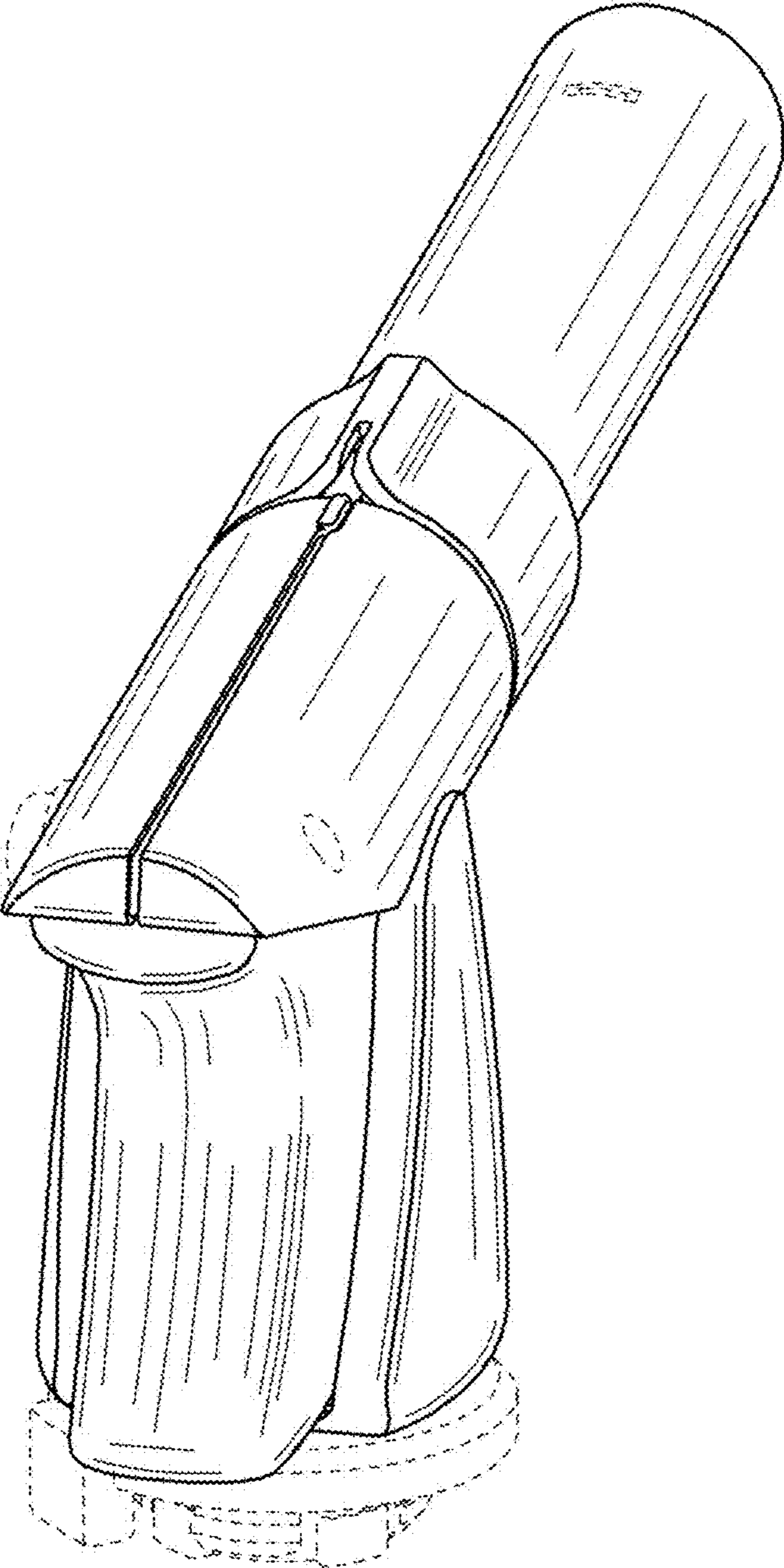
1.1



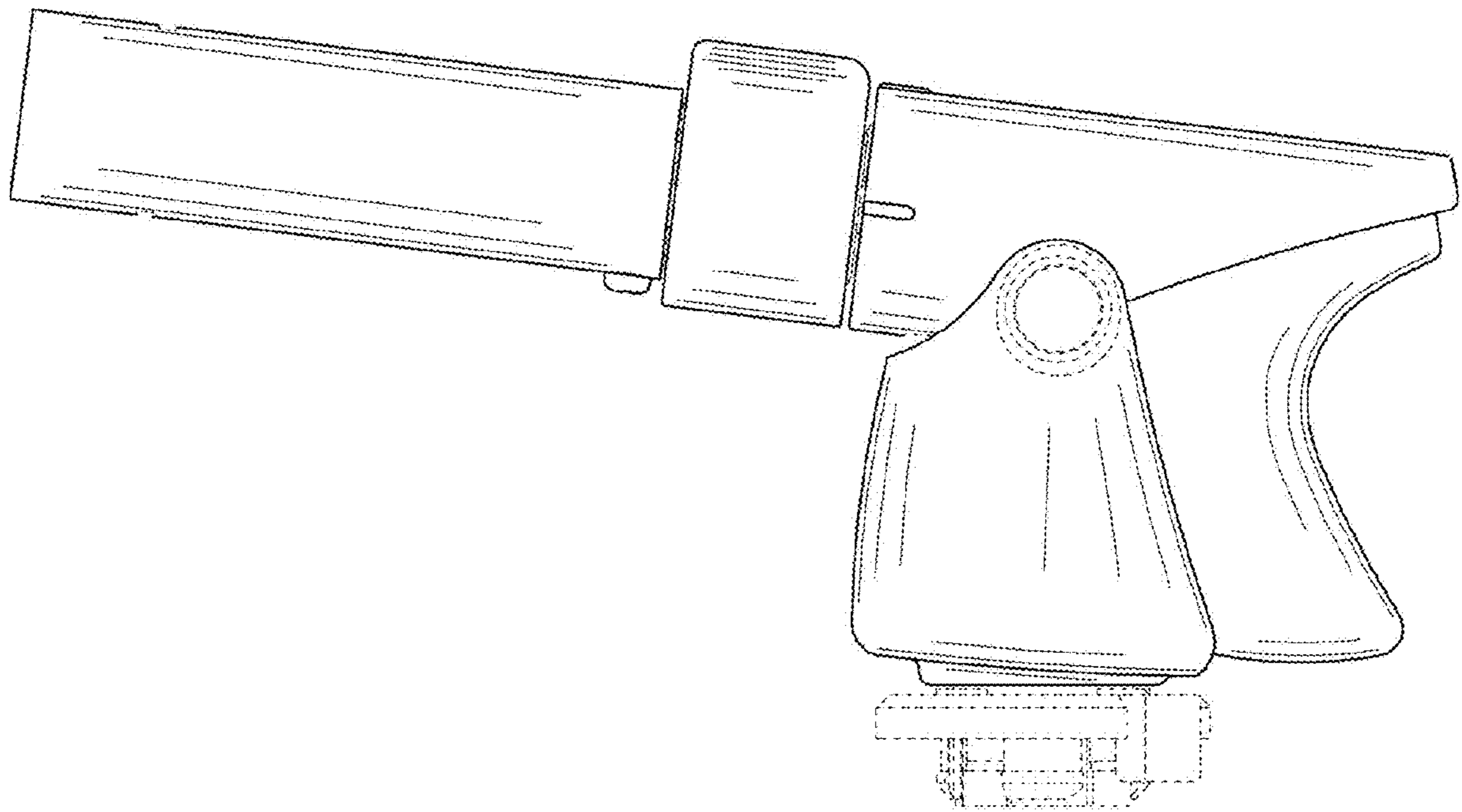
1.2



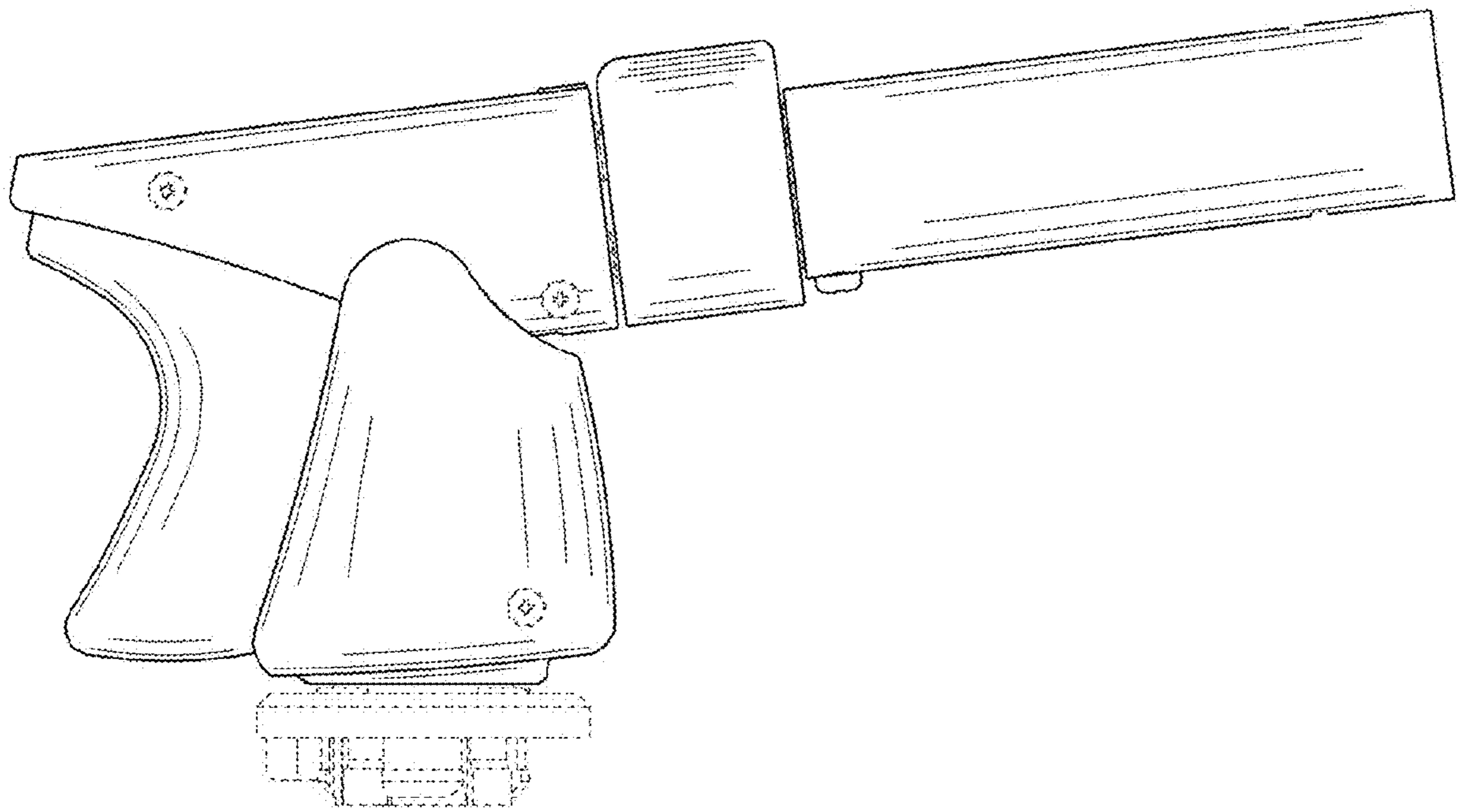
1.3



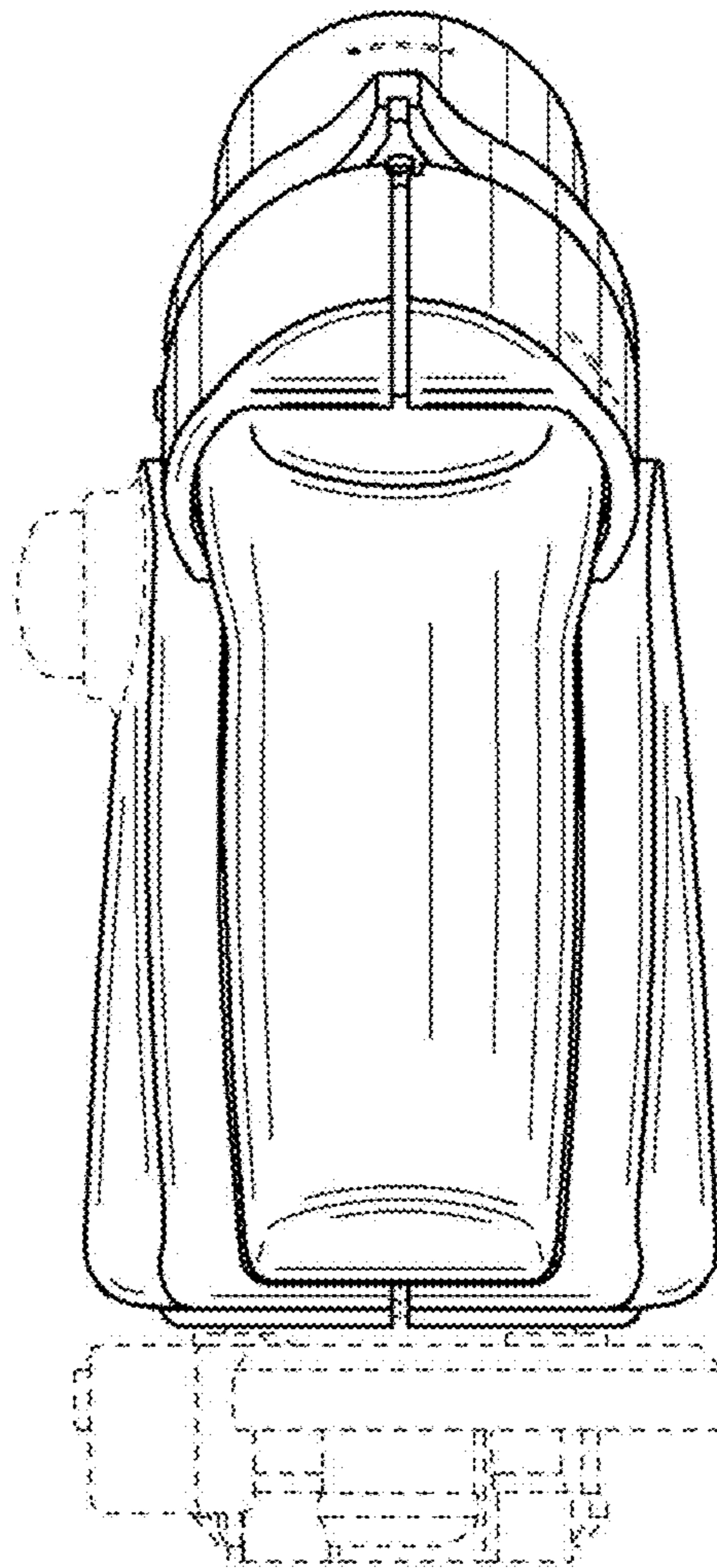
1.4



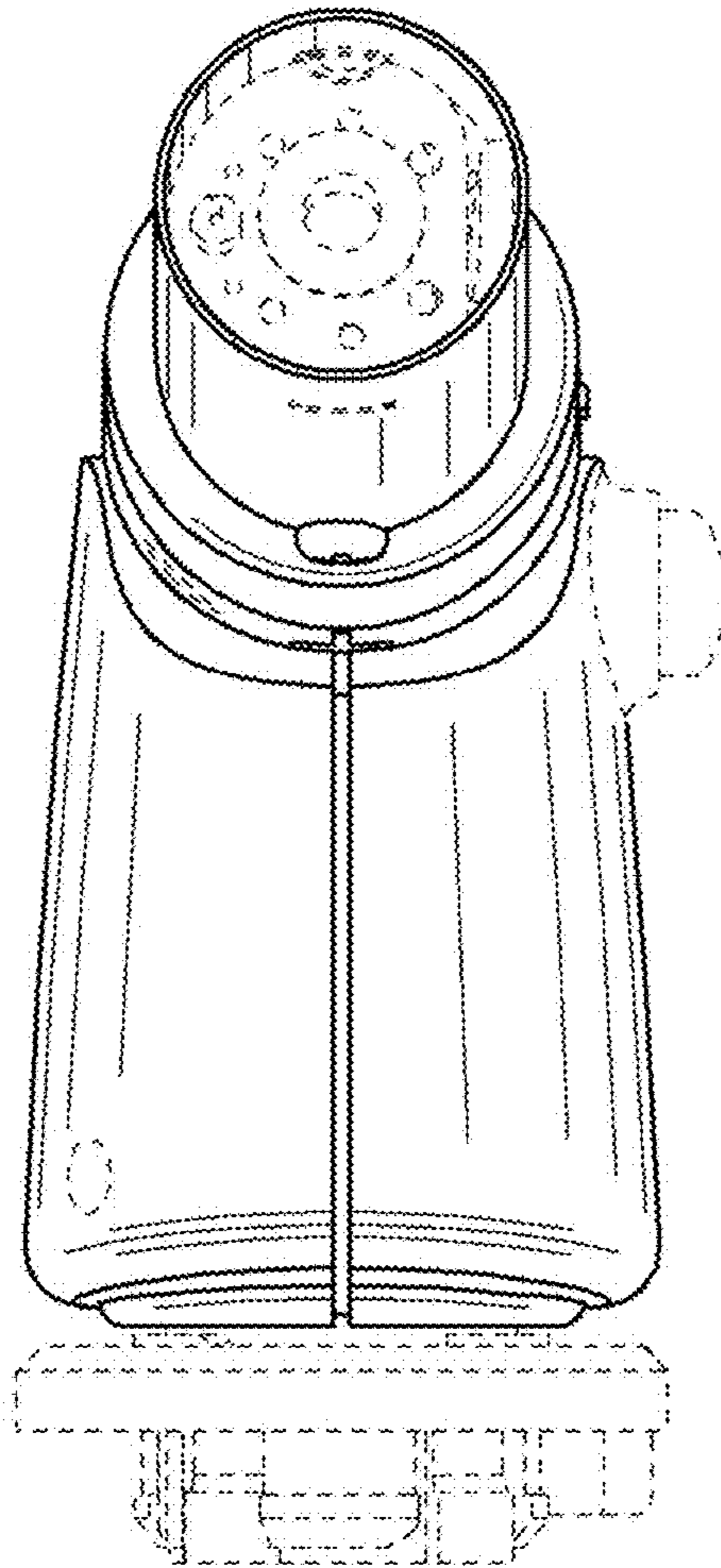
1.5



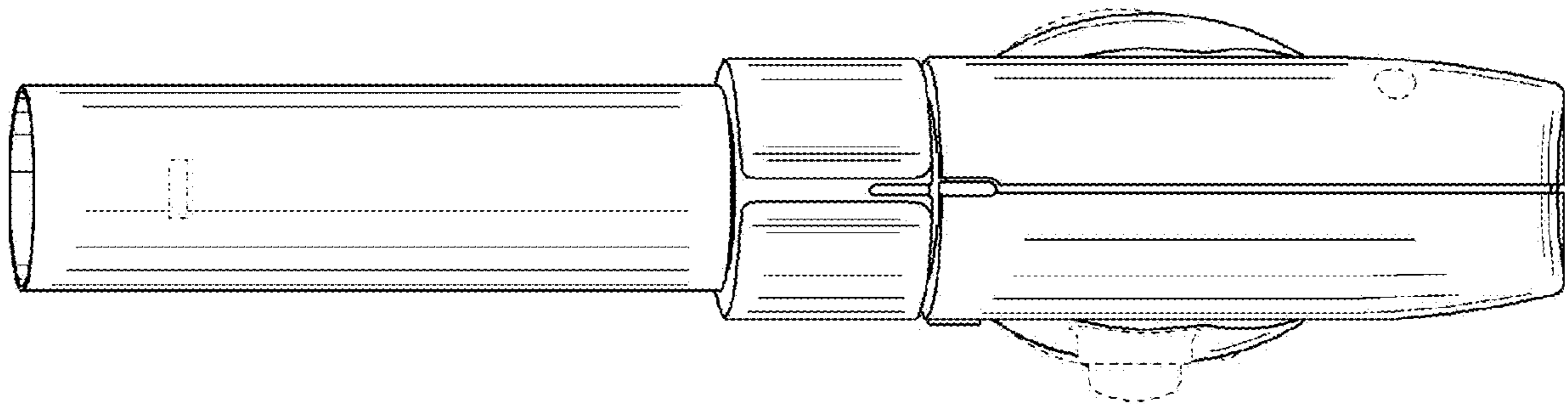
1.6



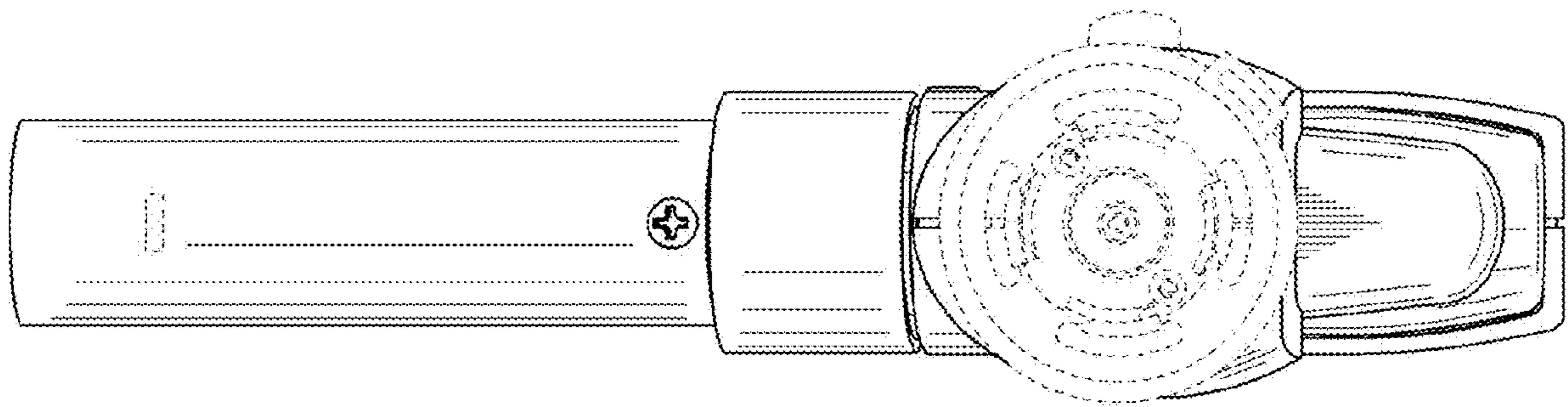
1.7



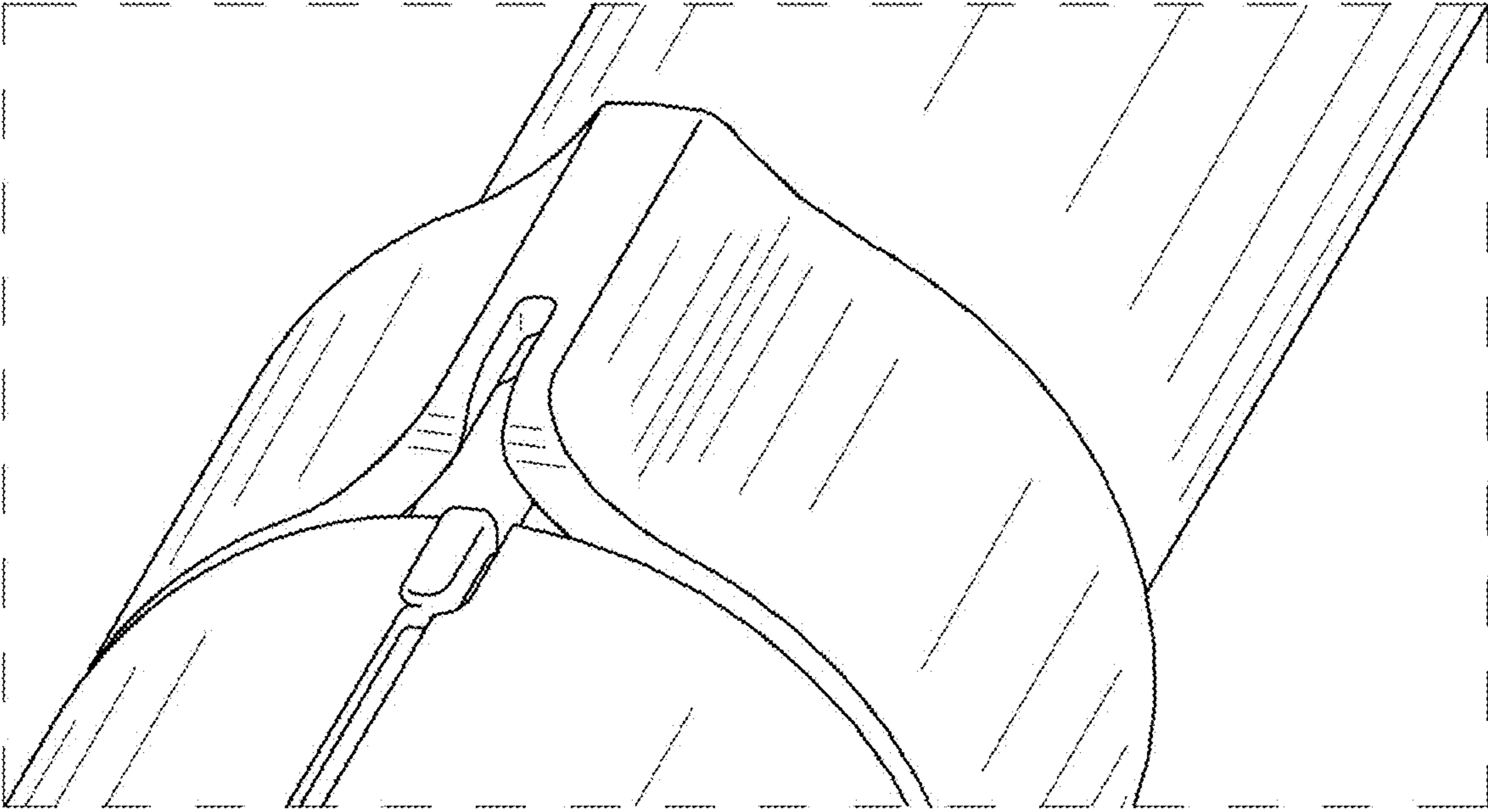
1.8



1.9



1.10



1.11

