

US00D966813S

(12) **United States Design Patent**  
**Ni et al.**

(10) **Patent No.:** **US D966,813 S**  
(45) **Date of Patent:** **\*\* Oct. 18, 2022**

(54) **NOODLE MAKING MACHINE**  
(71) Applicant: **DONGGUAN ZHEN ZHONG KANG PRECISION TRANSMISSION TECHNOLOGY CO., LTD**, Dongguan (CN)  
(72) Inventors: **Tangrong Ni**, Dongguan (CN); **Zhenhai Xie**, Dongguan (CN)  
(73) Assignee: **DONGGUAN ZHEN ZHONG KANG PRECISION TRANSMISSION TECHNOLOGY CO., LTD**, Dongguan (CN)

(\*\*) Term: **15 Years**

(21) Appl. No.: **29/771,431**

(22) Filed: **Feb. 23, 2021**

(51) **LOC (13) Cl.** ..... **07-04**

(52) **U.S. Cl.**  
USPC ..... **D7/412**

(58) **Field of Classification Search**  
USPC ..... D7/368, 376, 381, 412, 672  
CPC ..... A21C 11/00; A21C 11/20; A21C 11/24; A21C 3/04; A21C 11/16; A21C 11/22; A21C 1/14; A21C 1/144; A21C 1/06; A21C 3/02; A21C 9/063; A47J 2027/006; A47J 9/005; A47J 2027/008; A47J 36/321; A47J 27/18  
See application file for complete search history.

(56) **References Cited**

**U.S. PATENT DOCUMENTS**

D248,635 S \* 7/1978 Pawsat ..... A21C 11/22  
D12/125  
D376,725 S \* 12/1996 Kang ..... D7/376

D551,493 S \* 9/2007 Marcato ..... D7/381  
D586,613 S \* 2/2009 Martinez ..... D7/368  
D790,917 S \* 7/2017 Benoit ..... D7/412  
D816,393 S \* 5/2018 Sandberg ..... D7/368  
D893,241 S \* 8/2020 Hua ..... D7/376  
D906,051 S \* 12/2020 Xie ..... D7/412  
D915,815 S \* 4/2021 Hua ..... D7/376  
D931,040 S \* 9/2021 Zhan ..... D7/381  
D939,892 S \* 1/2022 He ..... D7/412  
D949,642 S \* 4/2022 Pardon, Jr. .... D7/672  
D951,697 S \* 5/2022 Ni ..... D7/381  
2021/0153510 A1\* 5/2021 Chen ..... A21C 11/22

\* cited by examiner

*Primary Examiner* — Joseph Kukella  
*Assistant Examiner* — Darryl J Dardenne  
(74) *Attorney, Agent, or Firm* — Westbridge IP LLC

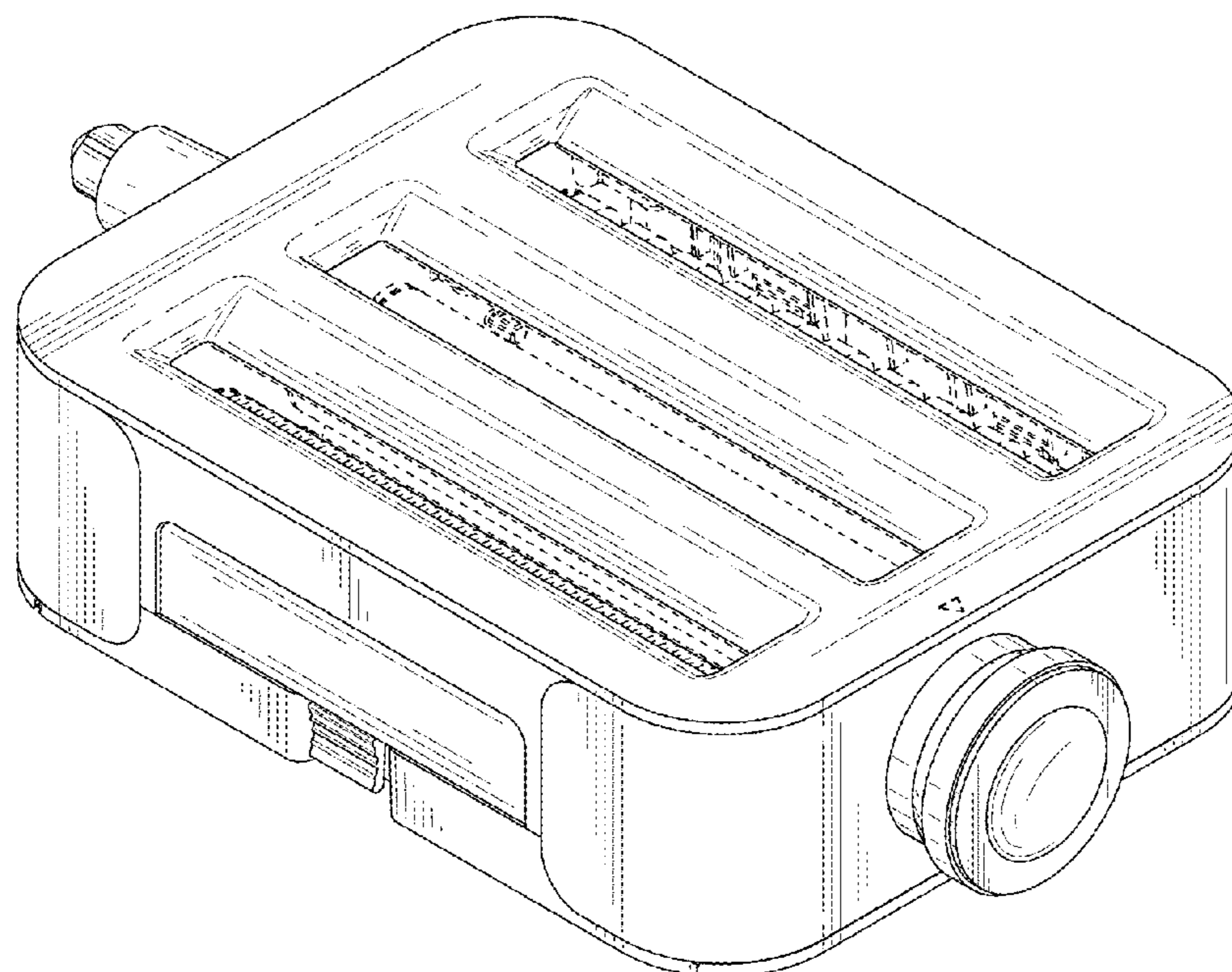
(57) **CLAIM**

The ornamental design for a noodle making machine, as shown and described.

**DESCRIPTION**

FIG. 1 is a front perspective view of a noodle making machine showing our new design; FIG. 2 is a rear perspective view thereof; FIG. 3 is a front elevational view thereof; FIG. 4 is a rear elevational view thereof; FIG. 5 is a left side elevational view thereof; FIG. 6 is a right side elevational view thereof; FIG. 7 is a top plan view thereof; FIG. 8 is a bottom plan view thereof; and, FIG. 9 is an enlarged view of portion 9 of FIG. 2. The broken lines in the drawings illustrate the portions of the noodle making machine which form no part of the claimed design.

**1 Claim, 9 Drawing Sheets**



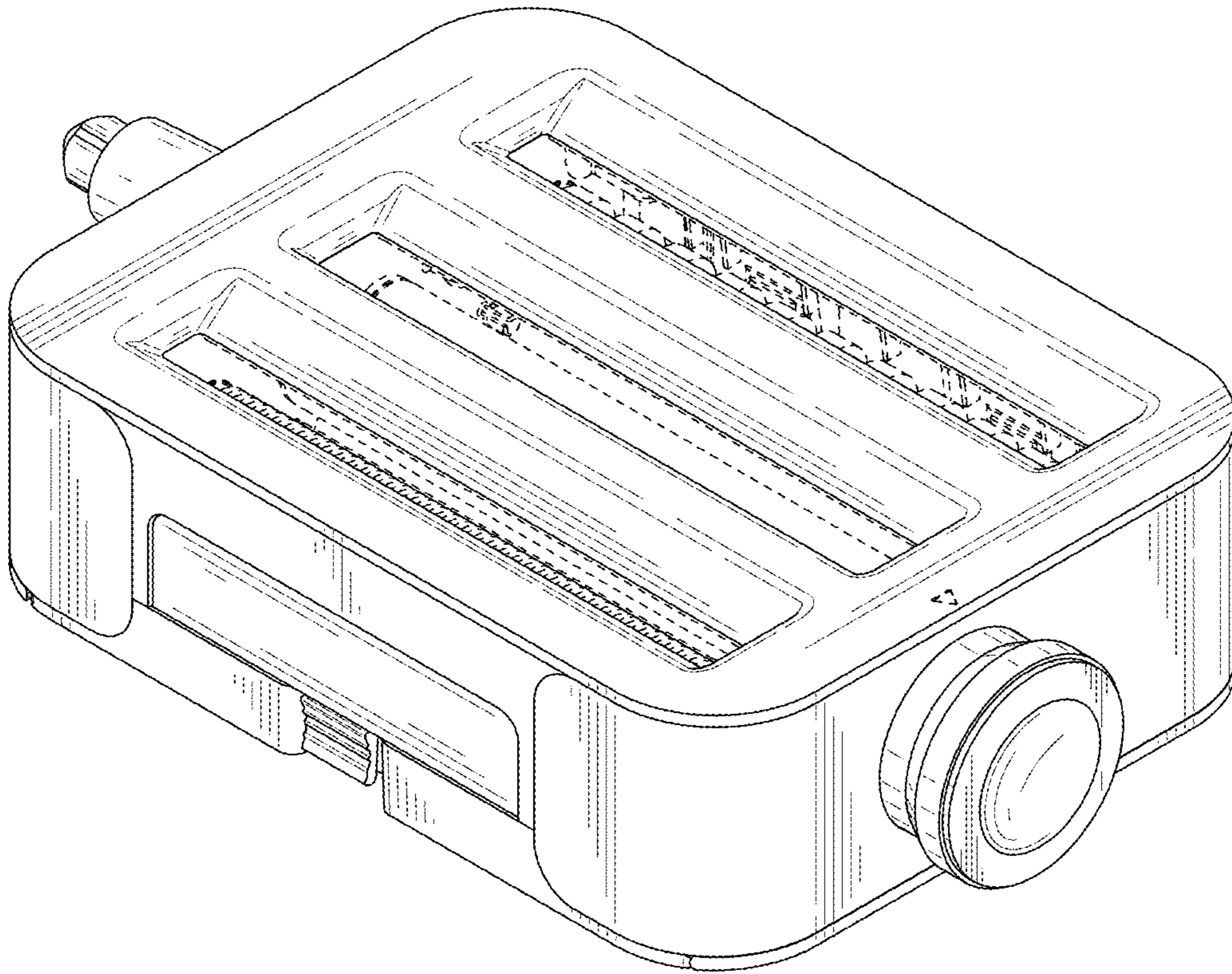


FIG. 1

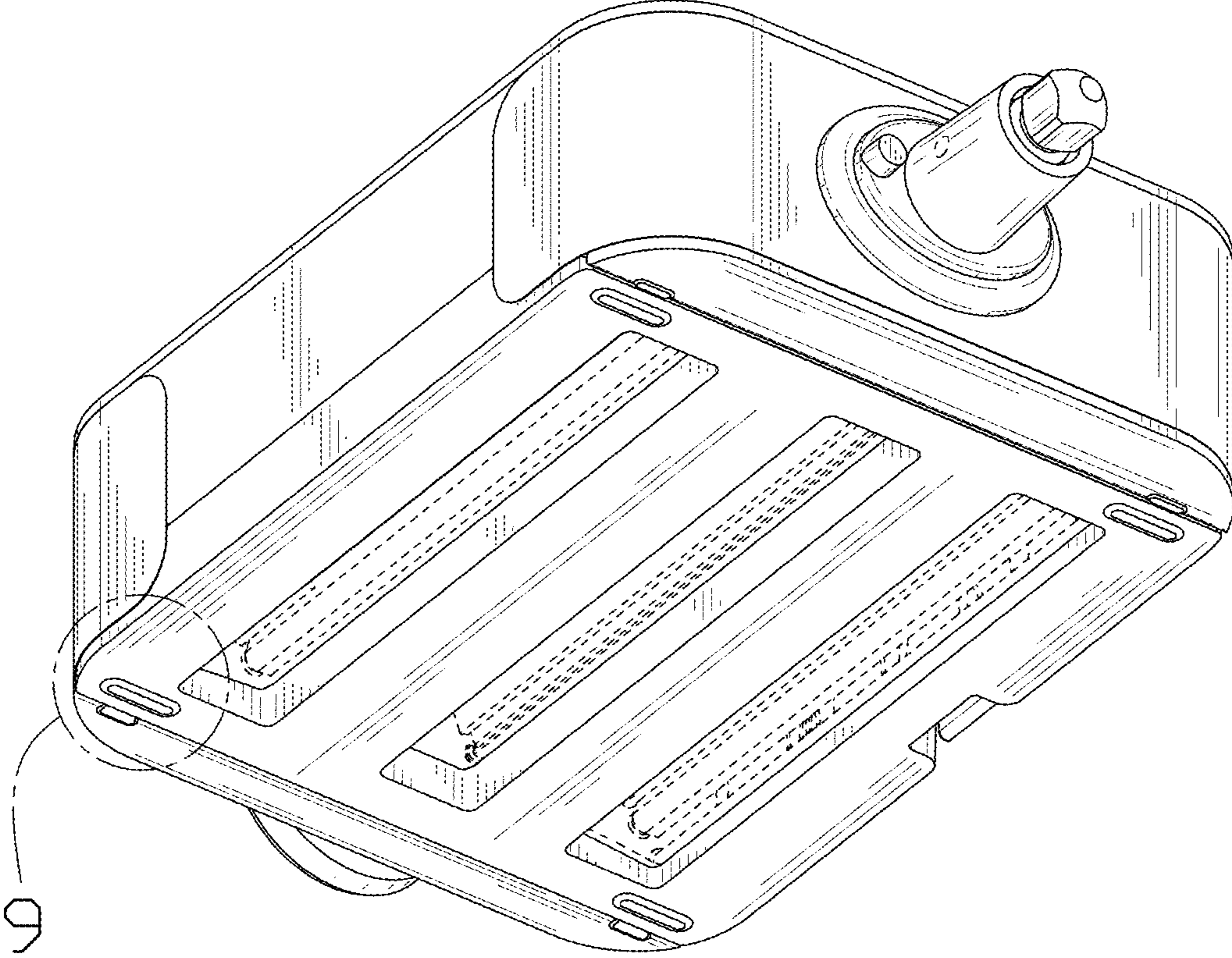


FIG. 2

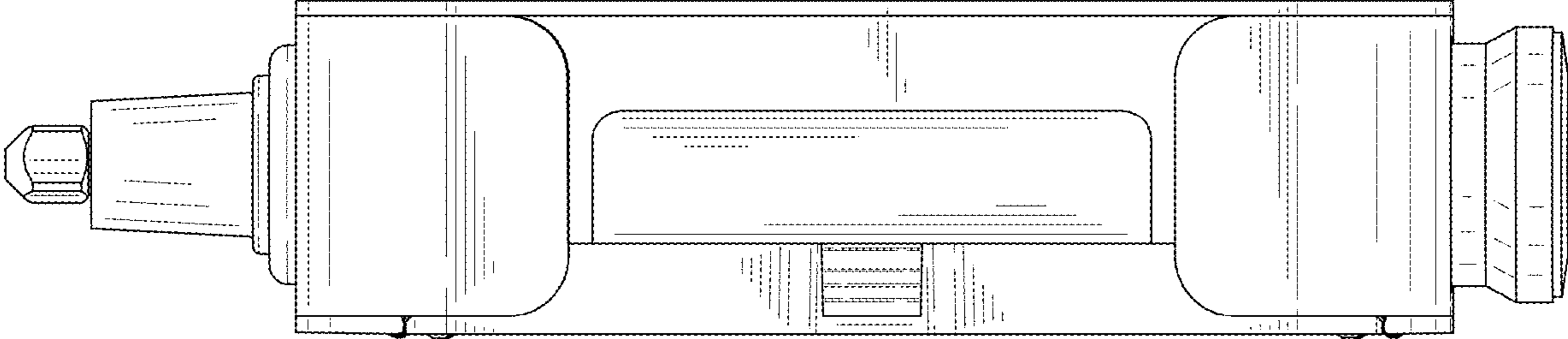


FIG. 3

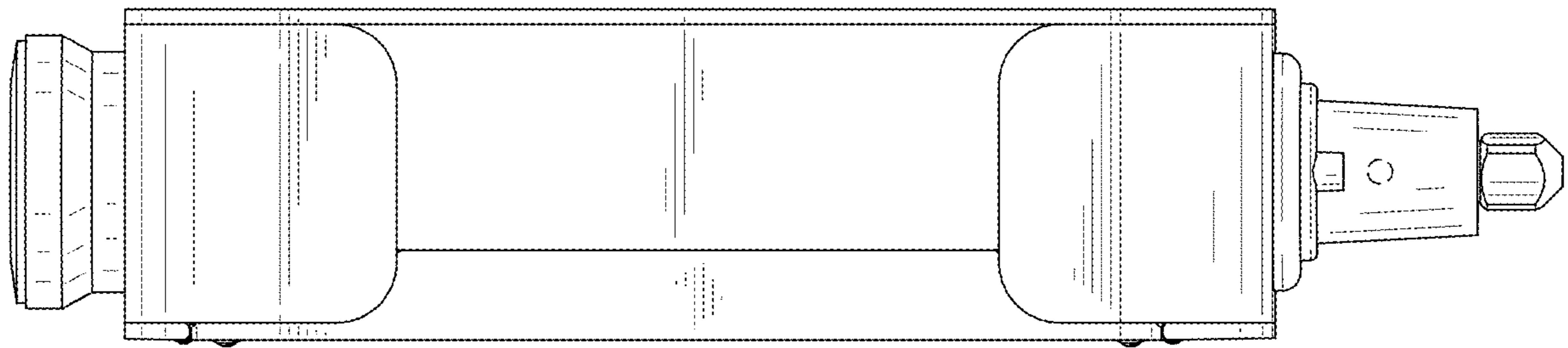


FIG. 4

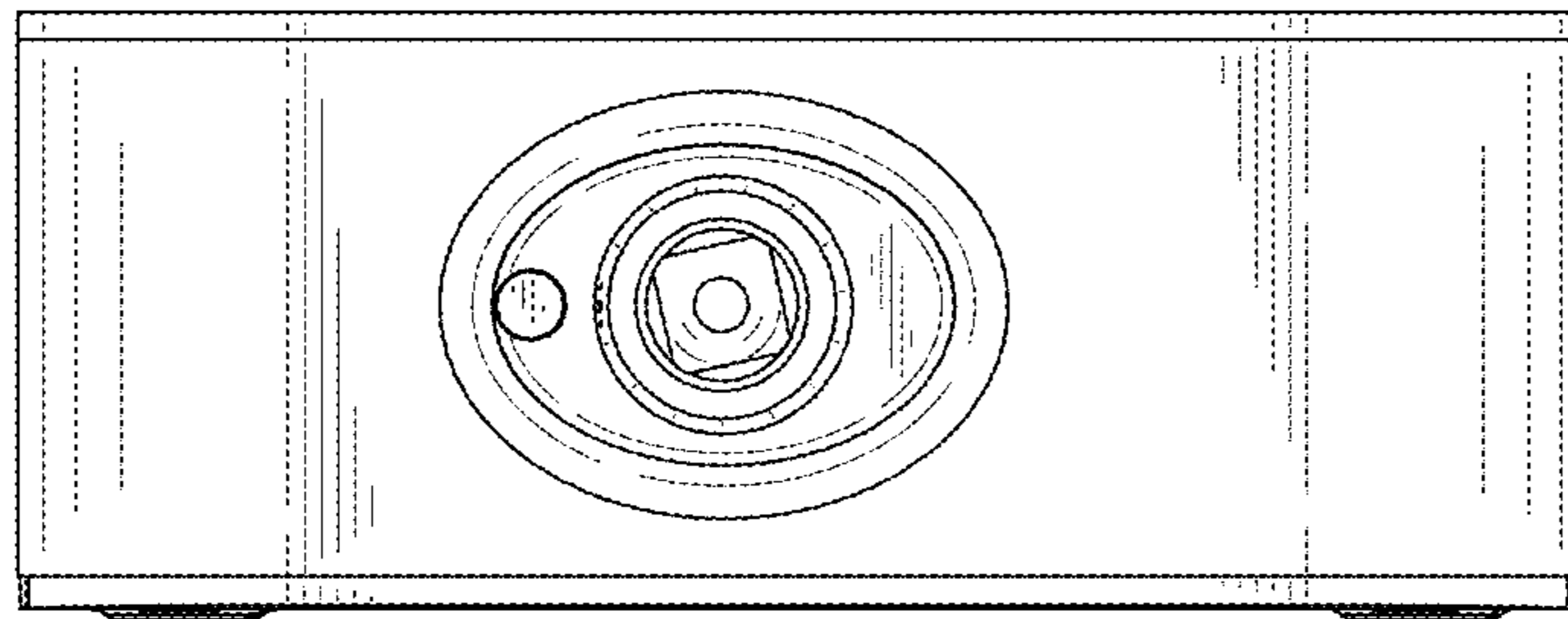


FIG. 5

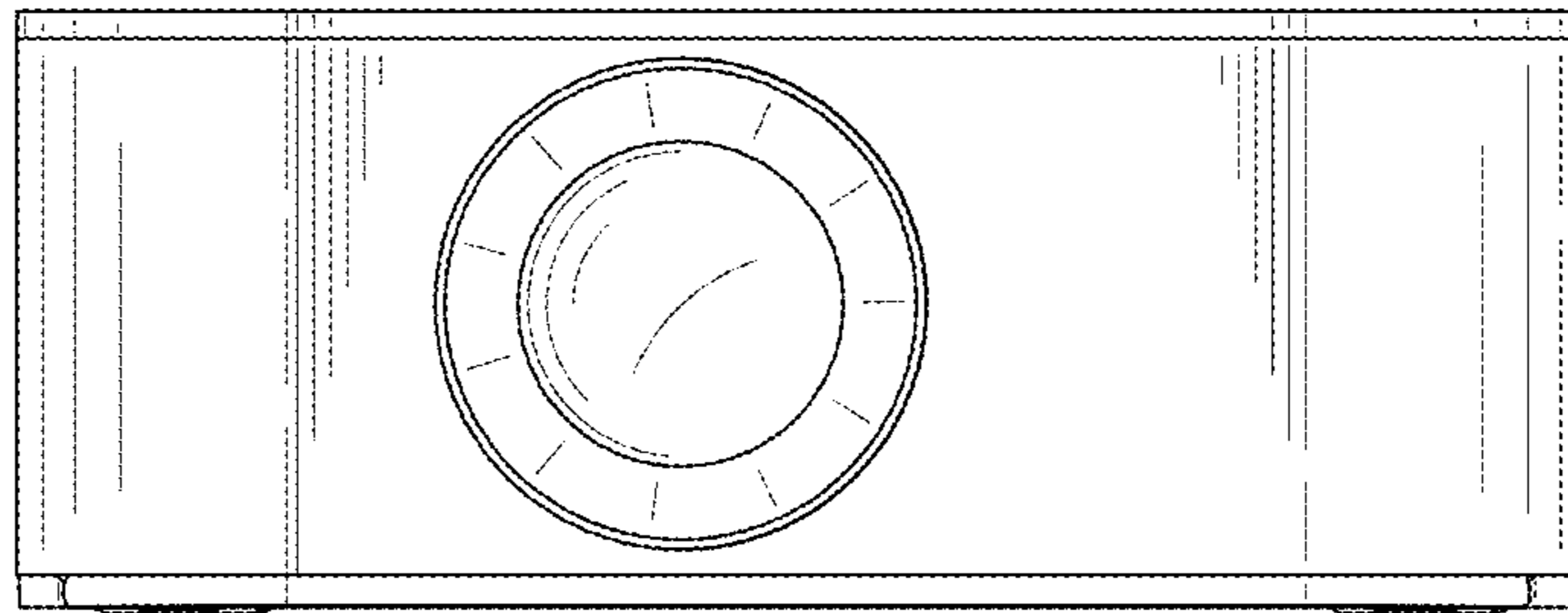


FIG. 6

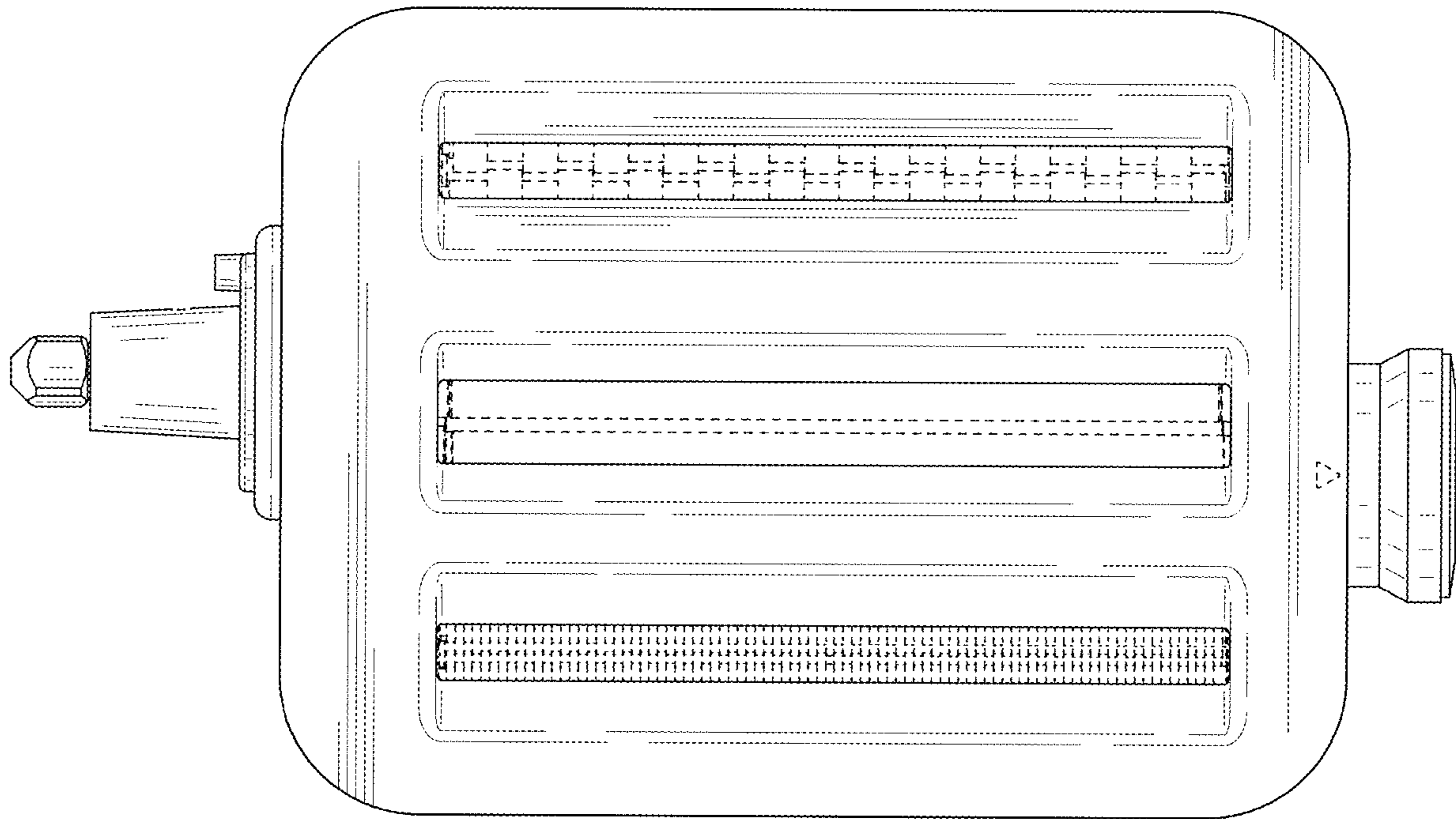


FIG. 7



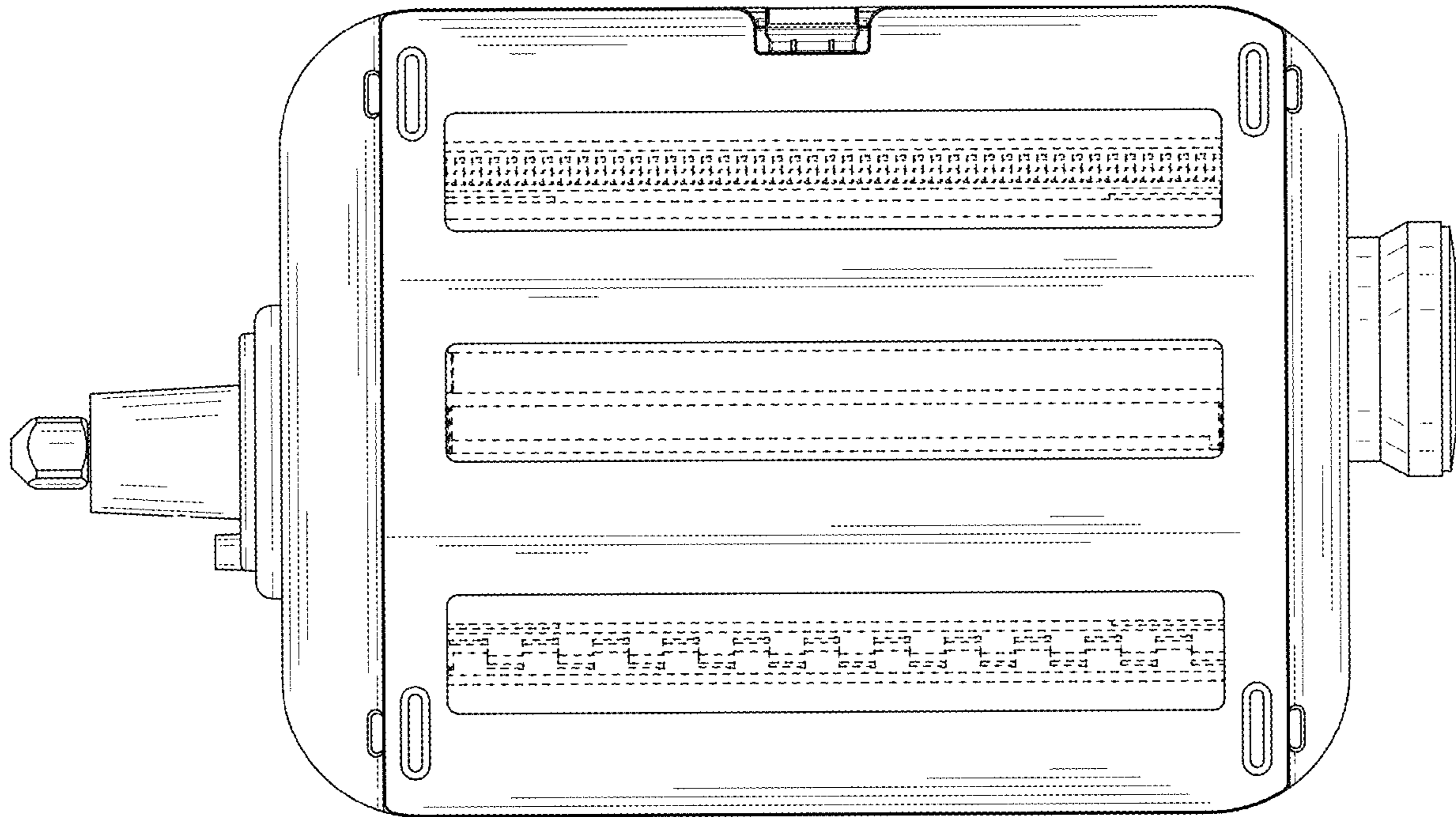


FIG. 8

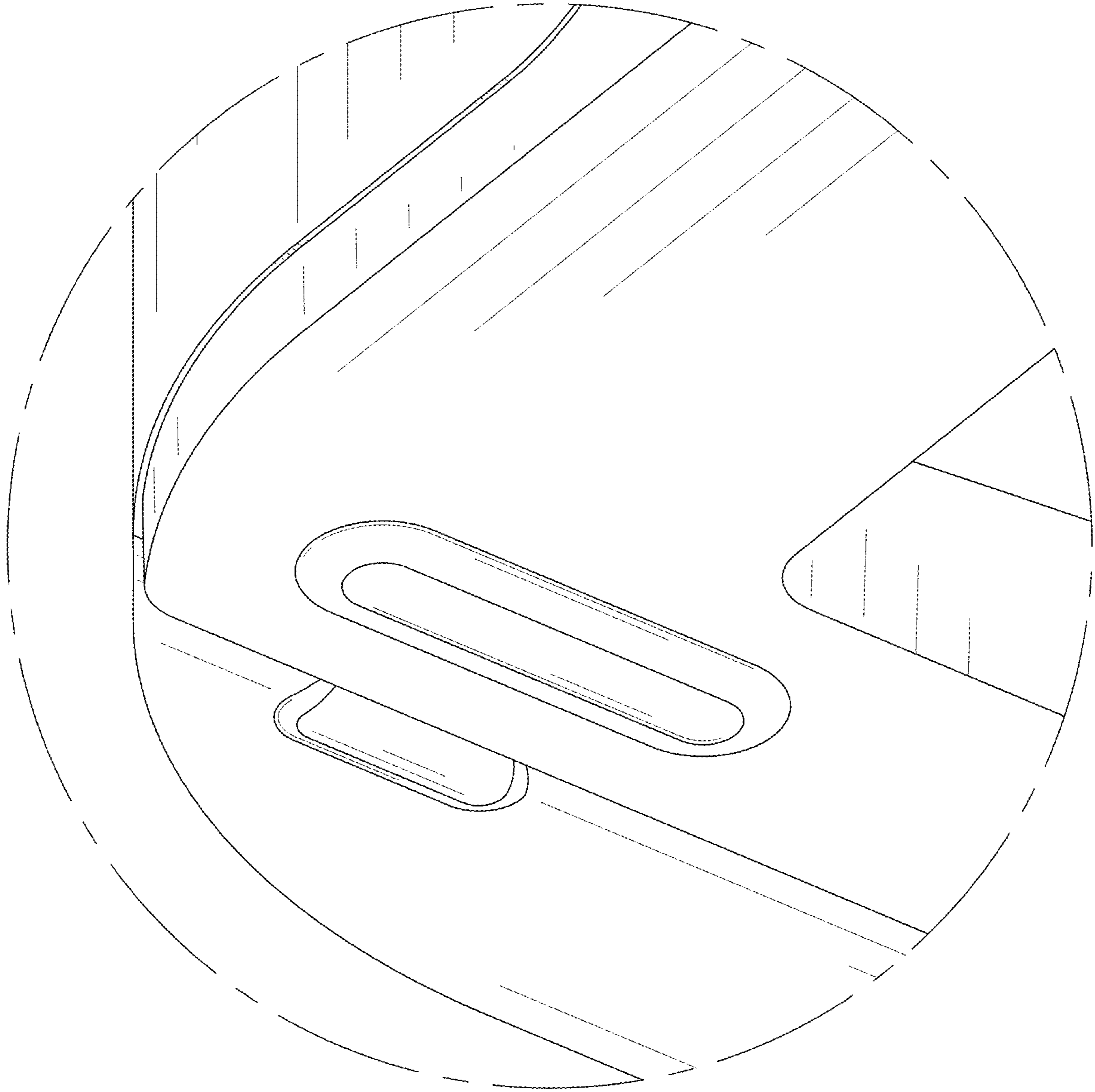


FIG. 9