

US00D966806S

(12) **United States Design Patent**
Wang

(10) **Patent No.:** **US D966,806 S**
(45) **Date of Patent:** **** Oct. 18, 2022**

- (54) **OVEN**
- (71) Applicant: **ILLINOIS TOOL WORKS INC.,**
Glenview, IL (US)
- (72) Inventor: **Fuli Wang,** Guangdong (CN)
- (73) Assignee: **ILLINOIS TOOL WORKS INC.,**
Glenview, IL (US)
- (**) Term: **15 Years**
- (21) Appl. No.: **29/739,181**
- (22) Filed: **Jun. 23, 2020**
- (30) **Foreign Application Priority Data**
Dec. 27, 2019 (CN) 201930733819.2
- (51) **LOC (13) Cl.** **07-02**
- (52) **U.S. Cl.**
USPC **D7/405**
- (58) **Field of Classification Search**
USPC D7/402-409, 323, 328-332, 339-340,
D7/346-351, 390, 397
CPC F24C 7/00; F24C 7/02; F24C 7/04; F24C
7/06; F24C 7/062; F24C 7/067; F24C
15/00; F24C 15/004; F24C 15/02; A47J
37/00
See application file for complete search history.

- (56) **References Cited**
U.S. PATENT DOCUMENTS
D391,800 S * 3/1998 Holbrook, Jr. D7/340
D424,862 S 5/2000 Holbrook
D468,962 S 1/2003 Jones
D524,095 S 7/2006 Pino
D525,476 S 7/2006 Bengtson
D527,948 S 9/2006 Bengtson
D535,515 S * 1/2007 Sadtler D7/340

- D560,958 S 2/2008 Shin
- D605,456 S * 12/2009 Bengtson D7/340
- D612,209 S 3/2010 Crookshanks
- D612,682 S 3/2010 Baker
- D671,790 S 12/2012 Busalt
- D709,726 S 7/2014 Borjesson
- D710,646 S 8/2014 Borjesson
- D724,889 S 3/2015 Borjesson
- D741,104 S 10/2015 Funnell, II
- D754,476 S 4/2016 Crookshanks
- D755,008 S * 5/2016 Kim D7/406
- D814,231 S 4/2018 Kim
- D816,386 S * 5/2018 Kim D7/340
- D817,067 S 5/2018 Shoemaker
- D817,705 S 5/2018 Kim
- D821,799 S 7/2018 Kim
- D821,813 S 7/2018 Kim
- D829,484 S 10/2018 Kim
- D838,133 S 1/2019 Fuller
- D840,184 S 2/2019 Kim
- D840,185 S 2/2019 Kim
- D874,220 S * 2/2020 Kim D7/406
- D880,218 S 4/2020 Kim
- D885,113 S * 5/2020 Zhou D7/339

(Continued)

Primary Examiner — Nicole C Shiflet
(74) *Attorney, Agent, or Firm* — Thompson Hine LLP

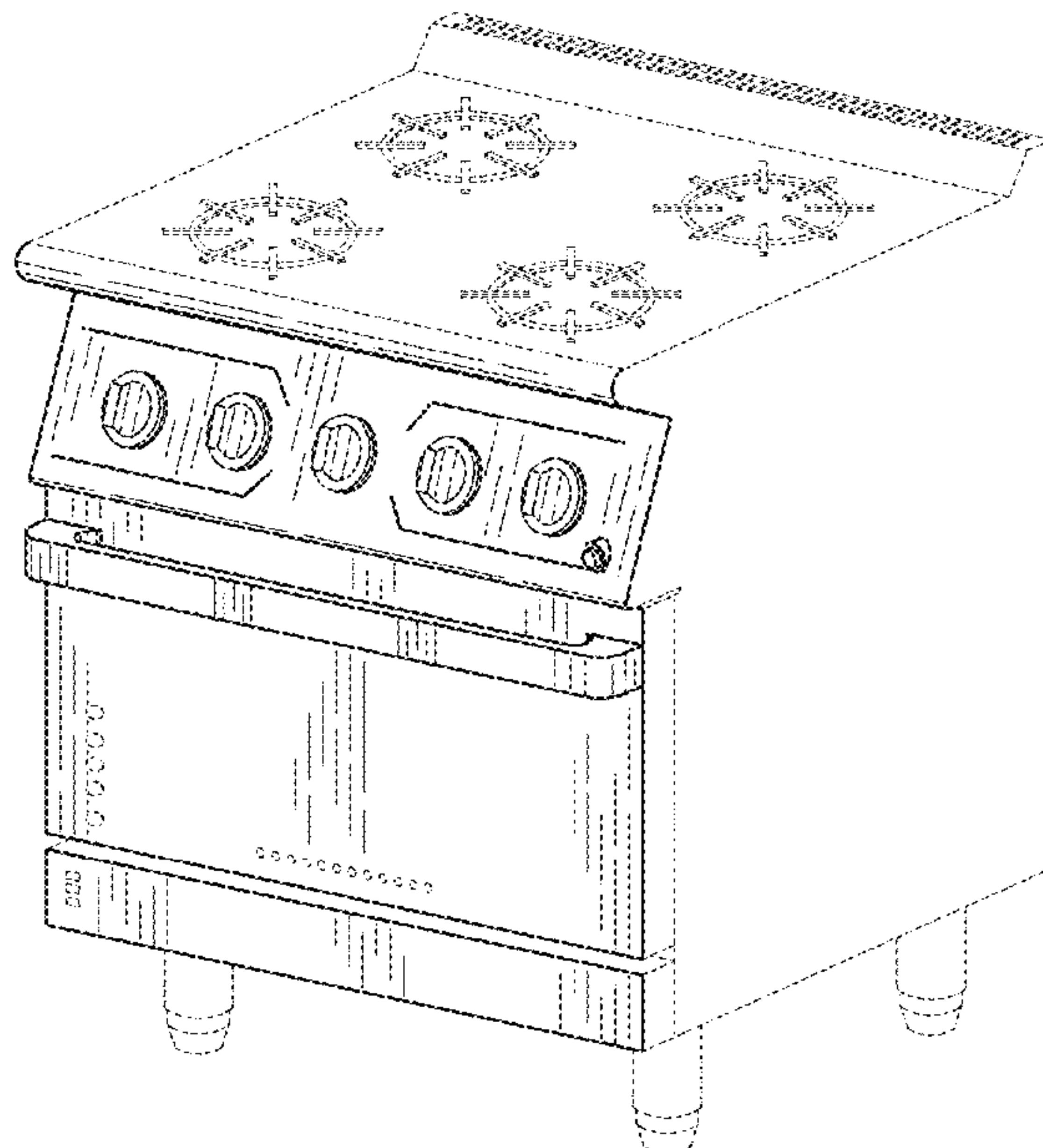
(57) **CLAIM**

The ornamental design for an oven, as shown and described.

DESCRIPTION

FIG. 1 is a perspective view of an oven;
FIG. 2 is top view thereof;
FIG. 3 is a front view thereof;
FIG. 4 is right side view thereof;
FIG. 5 is a left side view thereof; and,
FIG. 6 is a bottom thereof.
The broken lines represent environmental structure and form
no part of the claimed design.

1 Claim, 4 Drawing Sheets



(56)

References Cited

U.S. PATENT DOCUMENTS

D903,396 S * 12/2020 Lucic, III D7/340
D928,546 S * 8/2021 Han D7/340
D930,432 S * 9/2021 Hundley D7/406
2010/0140247 A1 6/2010 Watkins
2012/0031389 A1 2/2012 McMaster

* cited by examiner

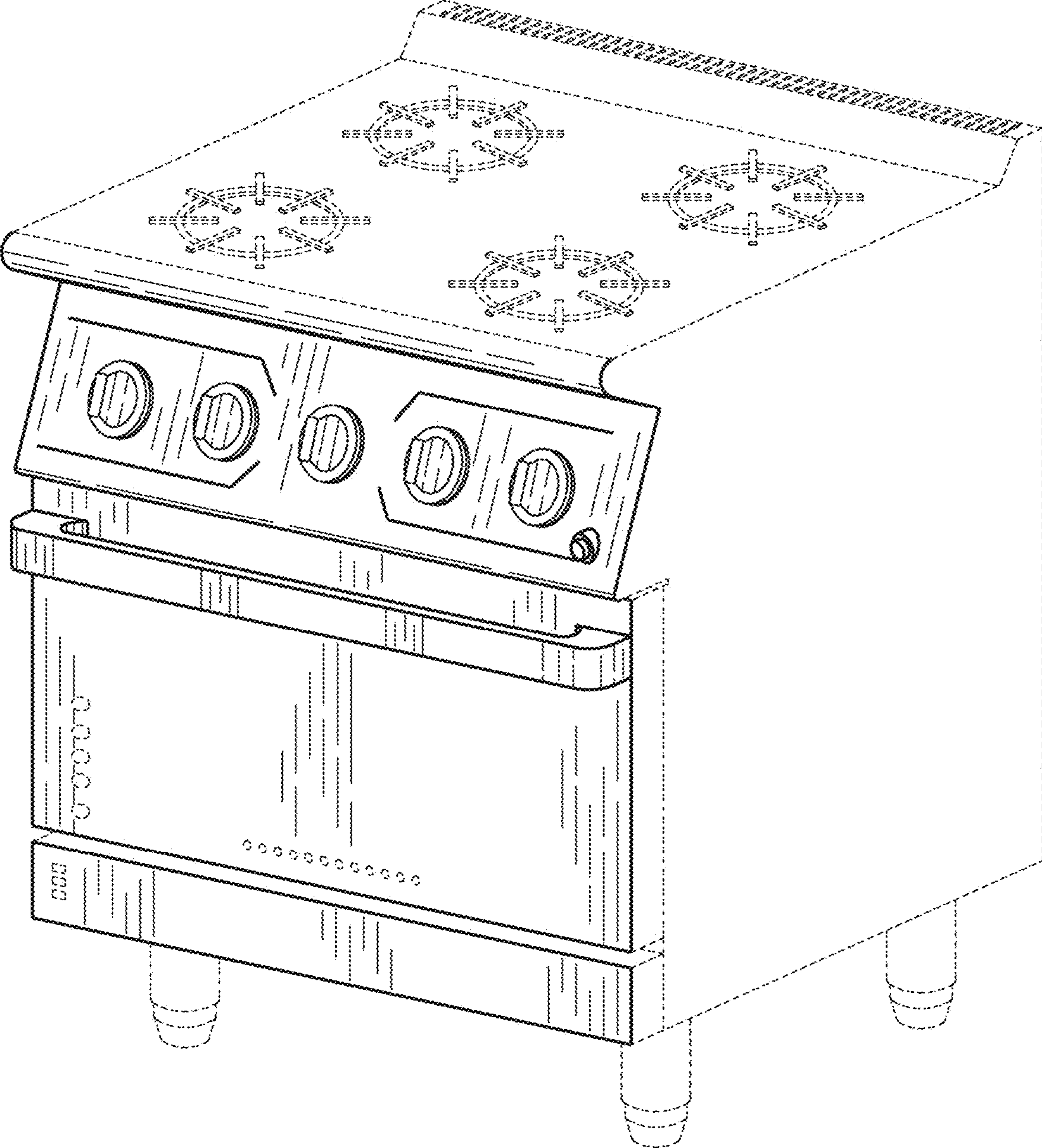


Fig. 1

Fig. 2

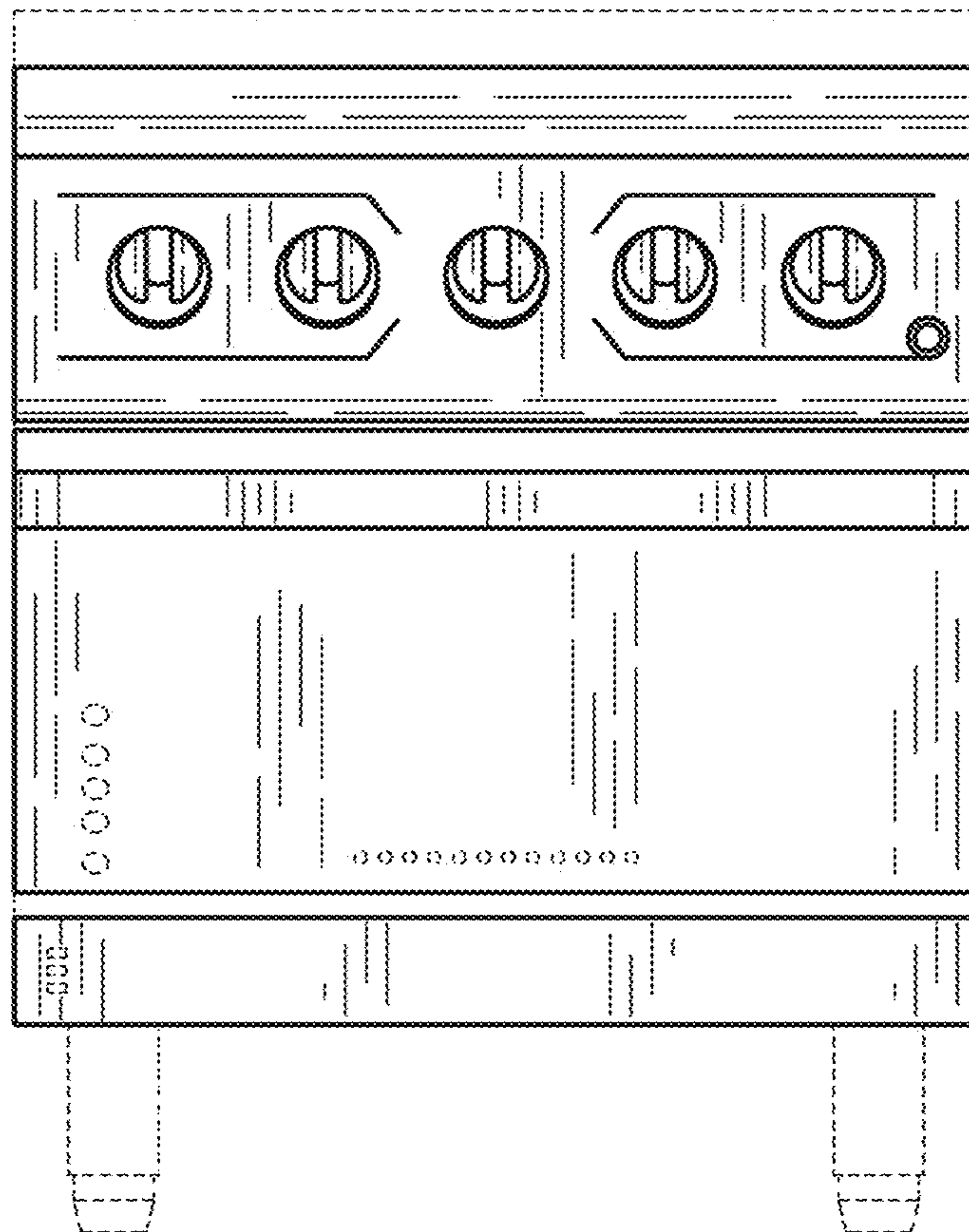
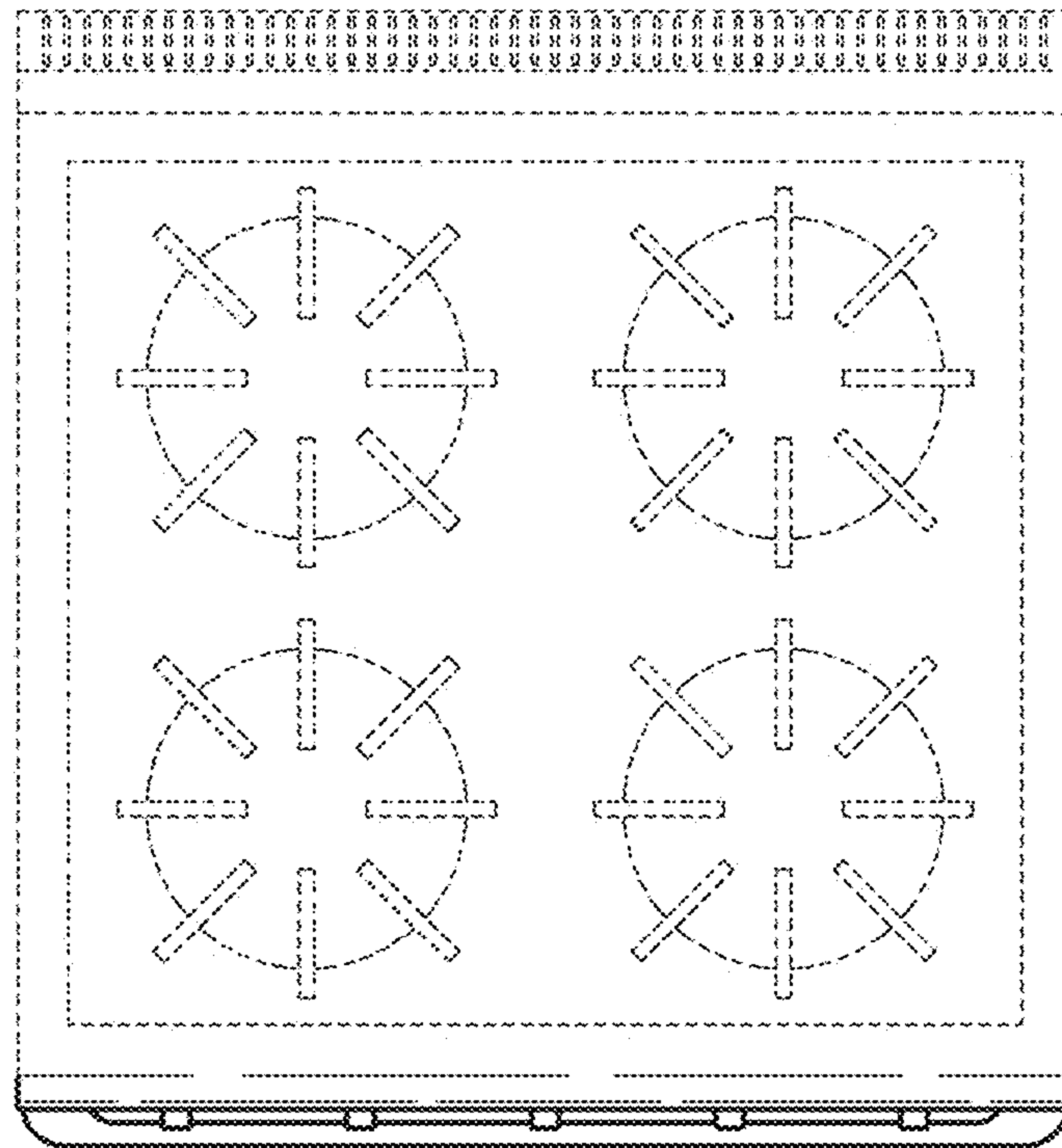


Fig. 3

Fig. 4

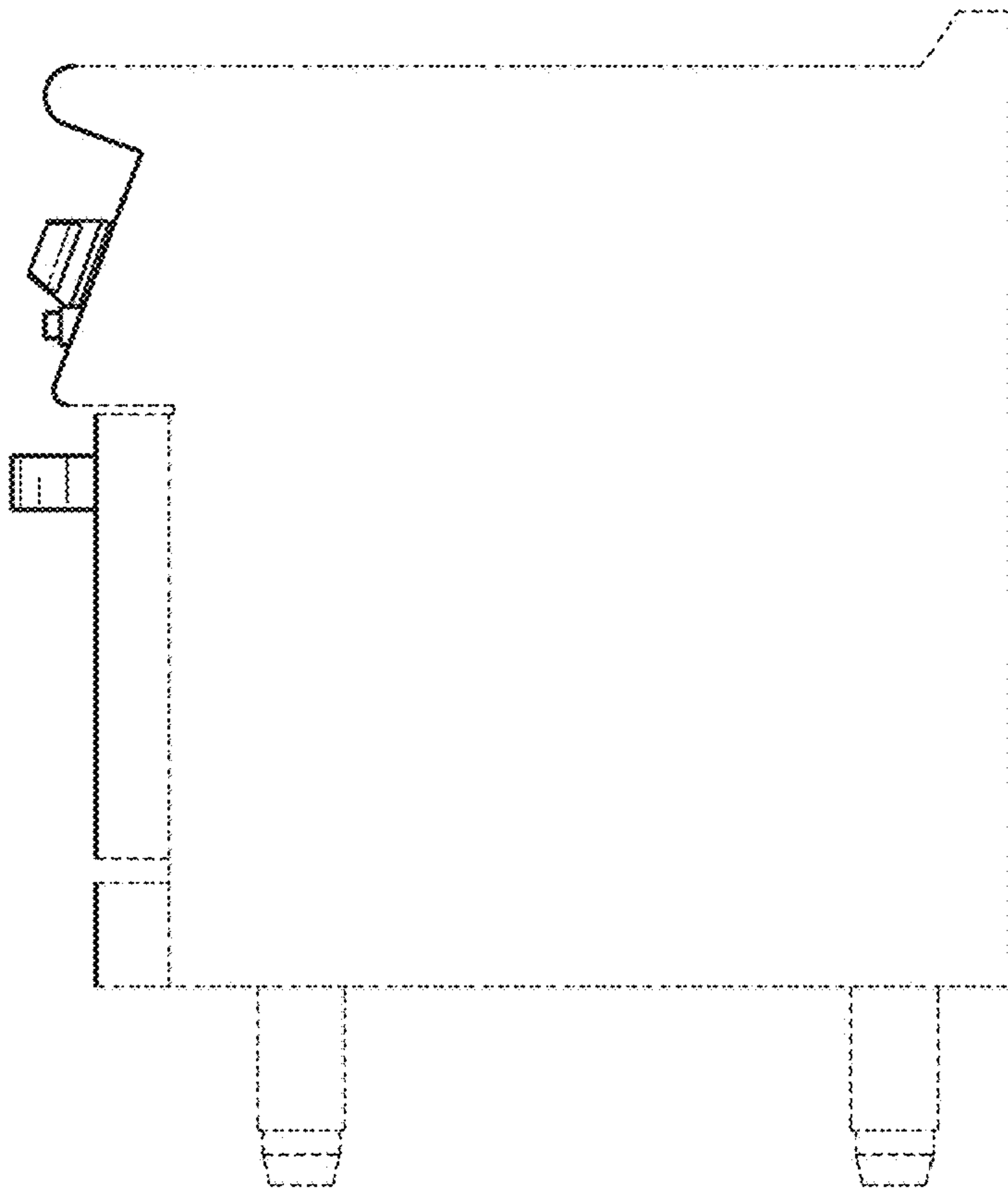
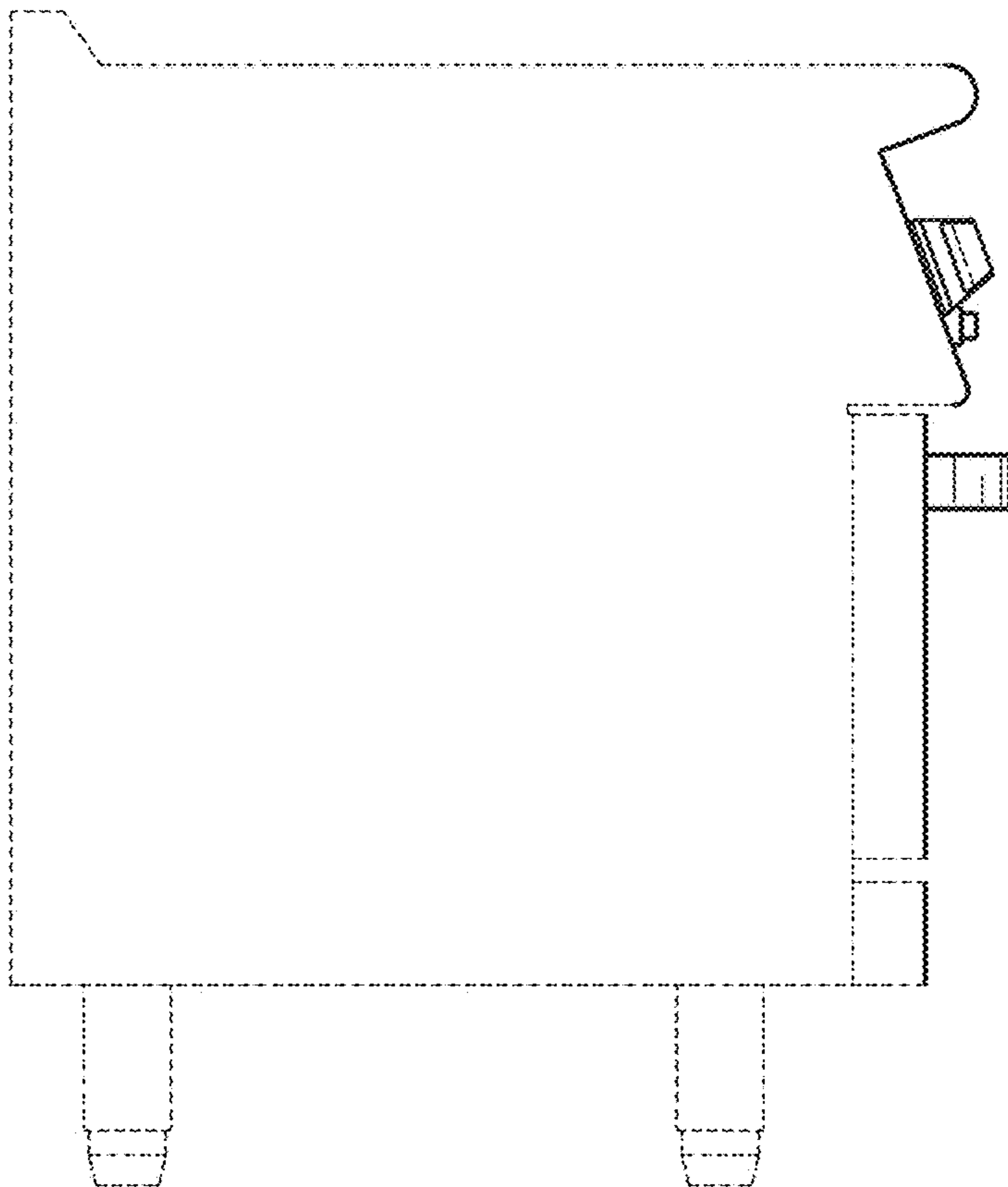


Fig. 5



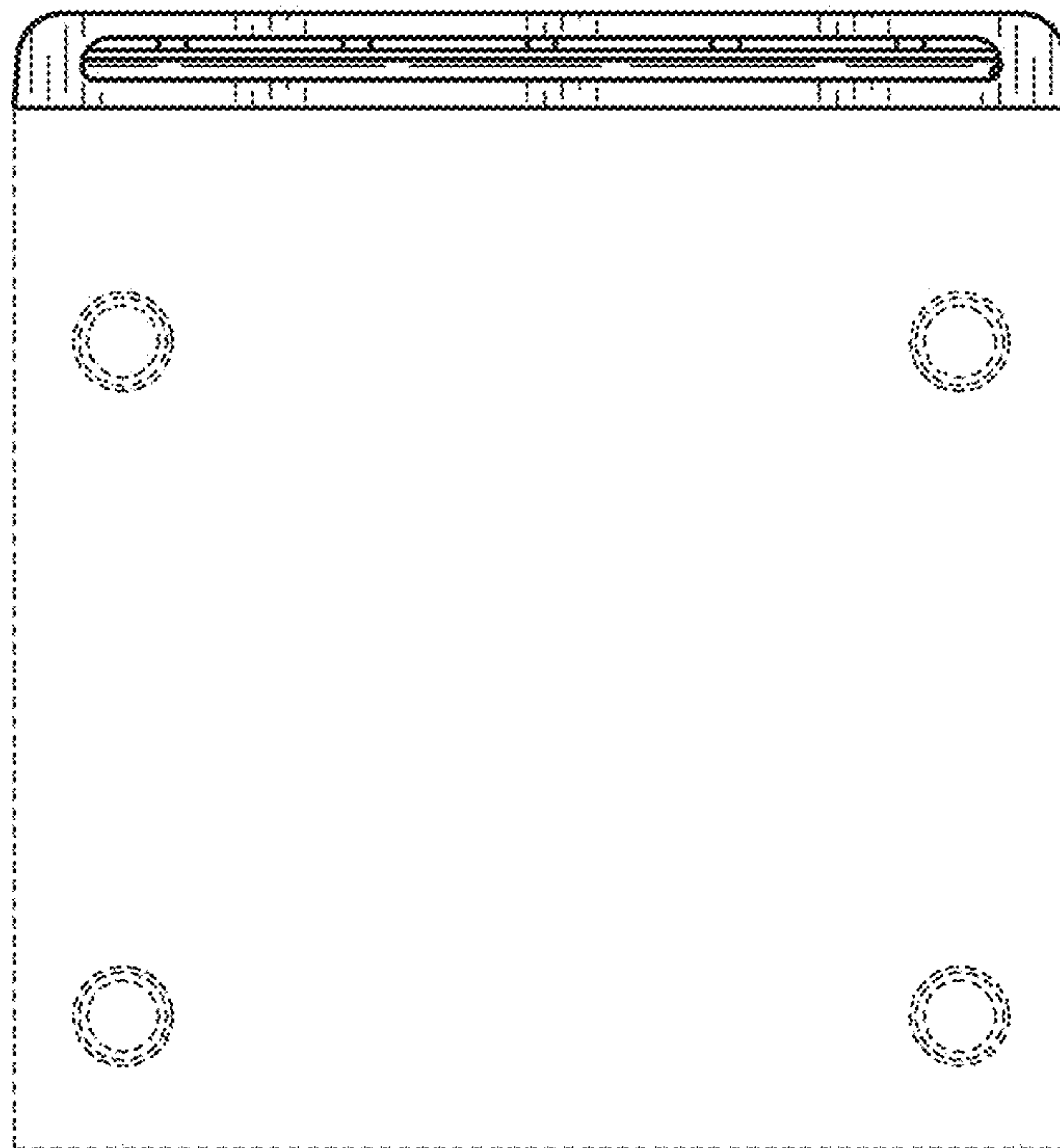


Fig. 6