

US00D966800S

(12) **United States Design Patent** (10) **Patent No.:** **US D966,800 S**
Bodum (45) **Date of Patent:** **** Oct. 18, 2022**

(54) **COFFEE FILTER**
(71) Applicant: **PI-Design AG**, Triengen (CH)
(72) Inventor: **Jorgen Bodum**, Meggen (CH)
(73) Assignee: **PI-DESIGN AG**, Triengen (CH)
(**) Term: **15 Years**
(21) Appl. No.: **29/753,852**
(22) Filed: **Oct. 2, 2020**

D580,696 S * 11/2008 Bodum D7/316
D585,233 S * 1/2009 Bodum A47G 23/0241
D7/319
D717,110 S * 11/2014 De Leo B65D 25/42
D7/400

(Continued)

FOREIGN PATENT DOCUMENTS

GB 9004560050-0028 * 12/2017
GB 8100637000-2000 * 4/2018

(Continued)

OTHER PUBLICATIONS

Fast japan US, "Kalita Wave Pour Over Coffee Dripper," Aug. 30, 2013, Amazon.com, www.amazon.com/dp/B004W5KPSQ (Year: 2013).*

(Continued)

Primary Examiner — Joseph Kukella
Assistant Examiner — Arva P Adams
(74) *Attorney, Agent, or Firm* — McDonnell Boehnen Hulbert & Berghoff LLP

(30) **Foreign Application Priority Data**
Apr. 3, 2020 (WO) WIPO93818
(51) **LOC (13) Cl.** **07-06**
(52) **U.S. Cl.**
USPC **D7/400**
(58) **Field of Classification Search**
USPC D7/213, 305, 316–322, 373, 380, 387,
D7/395, 397, 399–400, 510–511, 622,
D7/667–669, 693, 694, 700; D15/150
CPC A47J 31/005; A47J 31/06; A47J 31/0626;
A47J 31/0636; A47J 31/0663; A47J
31/0689; A47J 31/20; A47J 31/38; A47J
31/44; A47J 31/605; B01D 23/28; B67C
2001/027; F01M 11/04; F16N 3/00; F16N
3/02
See application file for complete search history.

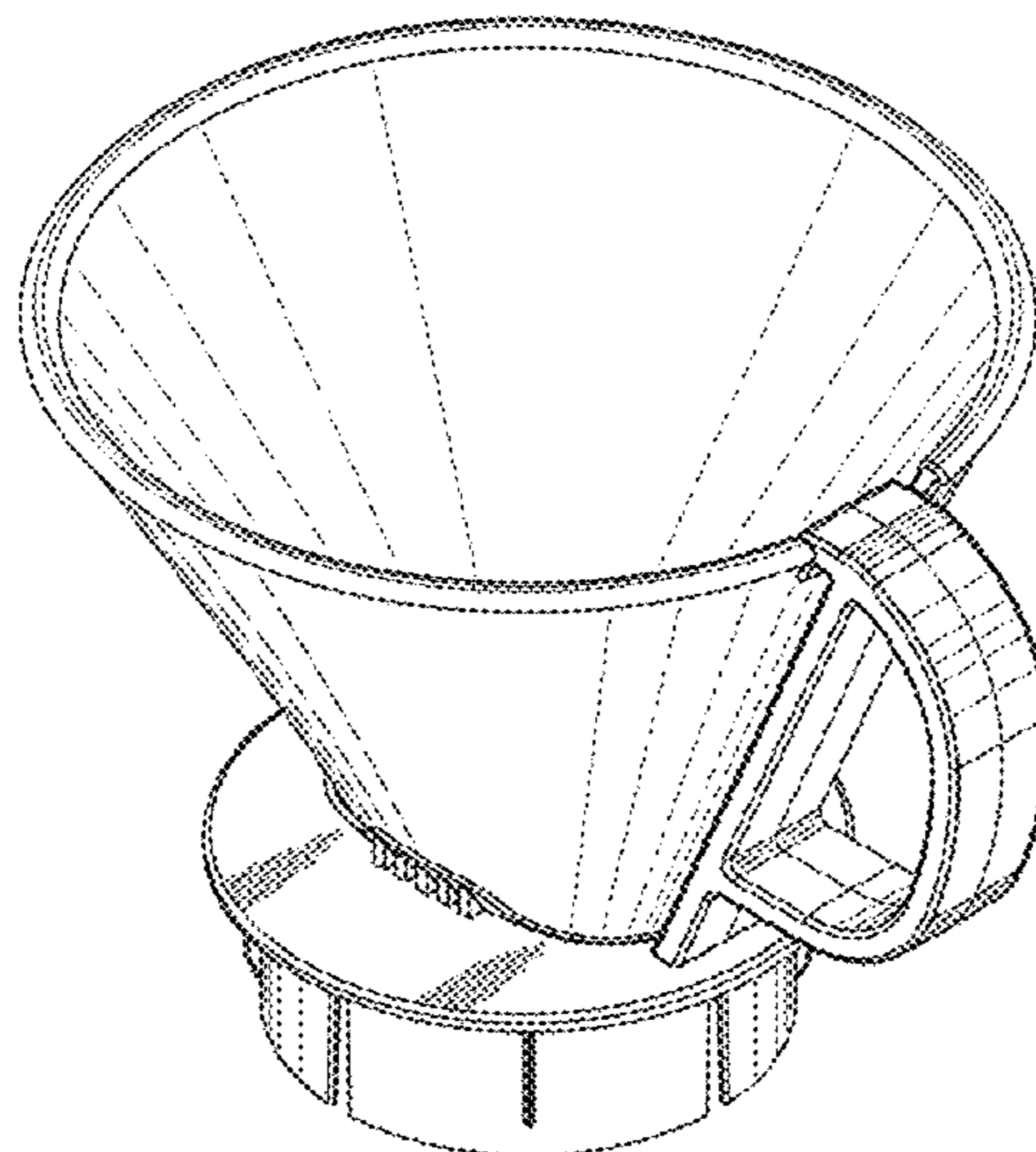
(57) **CLAIM**
The ornamental design for a coffee filter, as shown and described.

DESCRIPTION

FIG. 1 is a perspective view of a coffee filter showing my new design;
FIG. 2 is a front view thereof;
FIG. 3 is a rear view thereof;
FIG. 4 is a left side view thereof;
FIG. 5 is a right side view thereof;
FIG. 6 is a top view thereof; and,
FIG. 7 is a bottom view thereof.
The broken lines in the drawings depict portions of the coffee filter that form no part of the claimed design.

(56) **References Cited**
U.S. PATENT DOCUMENTS
2,002,959 A * 5/1935 Matters B65D 25/42
222/472
2,088,387 A * 7/1937 Rice, Jr. A47G 23/0241
215/396
2,234,397 A * 3/1941 Bentz A47J 31/06
D7/400
D250,804 S * 1/1979 Nilsson D7/400
D382,448 S * 8/1997 Maique D7/700
D564,832 S * 3/2008 Bodum D7/400

1 Claim, 7 Drawing Sheets



(56)

References Cited

U.S. PATENT DOCUMENTS

D796,889 S * 9/2017 Laskowski A47J 31/06
D7/321
D797,501 S * 9/2017 Thurlow D7/400
D873,608 S * 1/2020 de Martrin-Donos D7/400

FOREIGN PATENT DOCUMENTS

HK 1801991-0002 * 5/2019
HK 2016886-0001 * 1/2021
JP D1629607 * 4/2019
JP D1681937 * 3/2021
RU 00068550 * 12/2008
RU 00087492 * 1/2014
TW 211195-0001 * 4/2021
WO WO-D207368-002 * 10/2020

OTHER PUBLICATIONS

Neo field of Japan, "Kalita Coffee Dripper 'Hasami' HA102 2-4
Person Use 2010 by Kalita," Jul. 11, 2016, Amazon.com, www.
amazon.com/dp/B01ASRCPKW (Year: 2016).*

Amazon.com, "Le Creuset Stoneware Pour Over Coffee Cone,"
Sep. 3, 2019, Amazon.com, www.amazon.com/dp/B07XFRB42R
(Year: 2019).*

Yeeco, "Yeeco White Coffee Dripper," Mar. 17, 2020, Amazon.com,
www.amazon.com/dp/B0861V62SL (Year: 2020).*

* cited by examiner

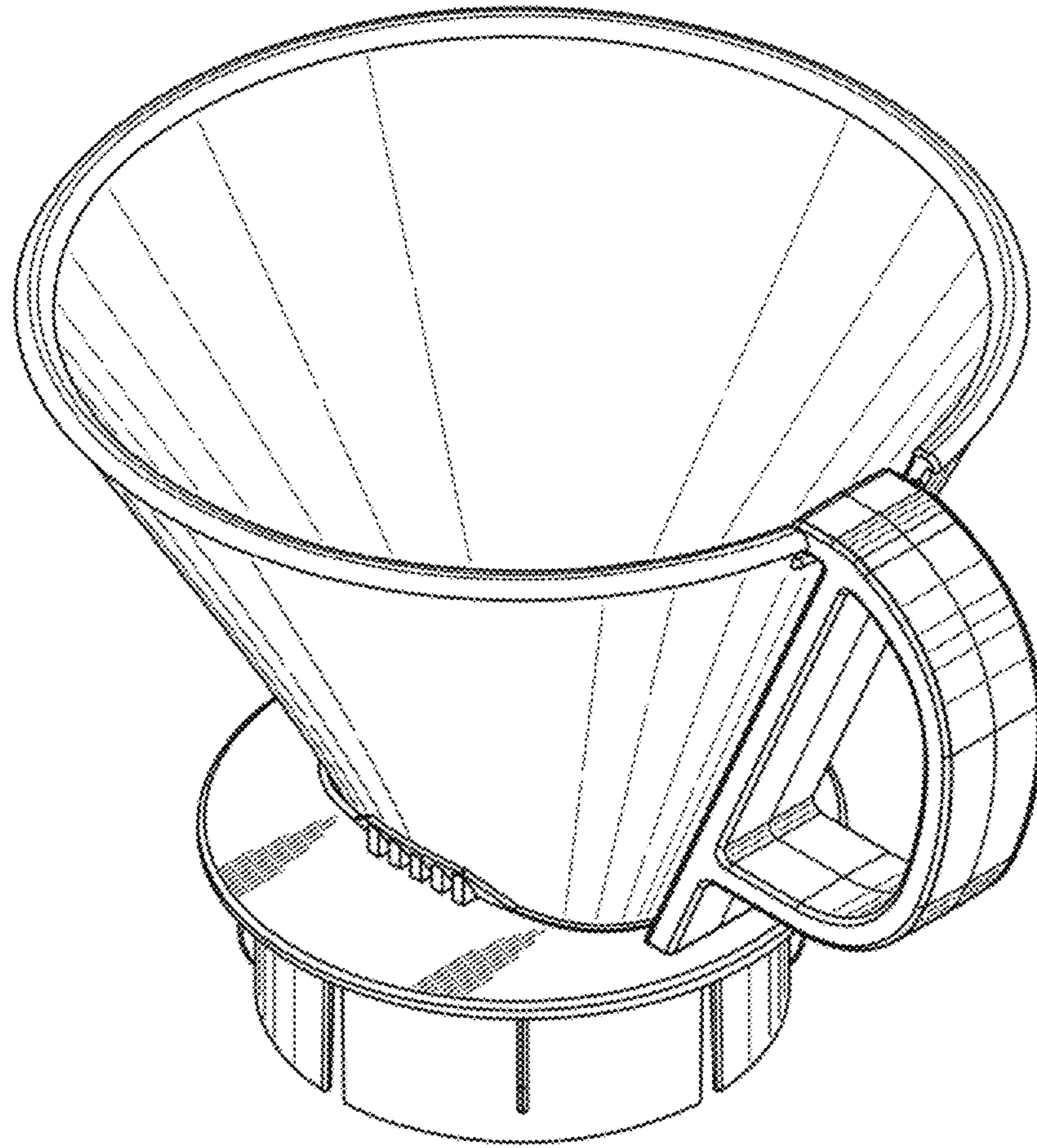


FIG. 1

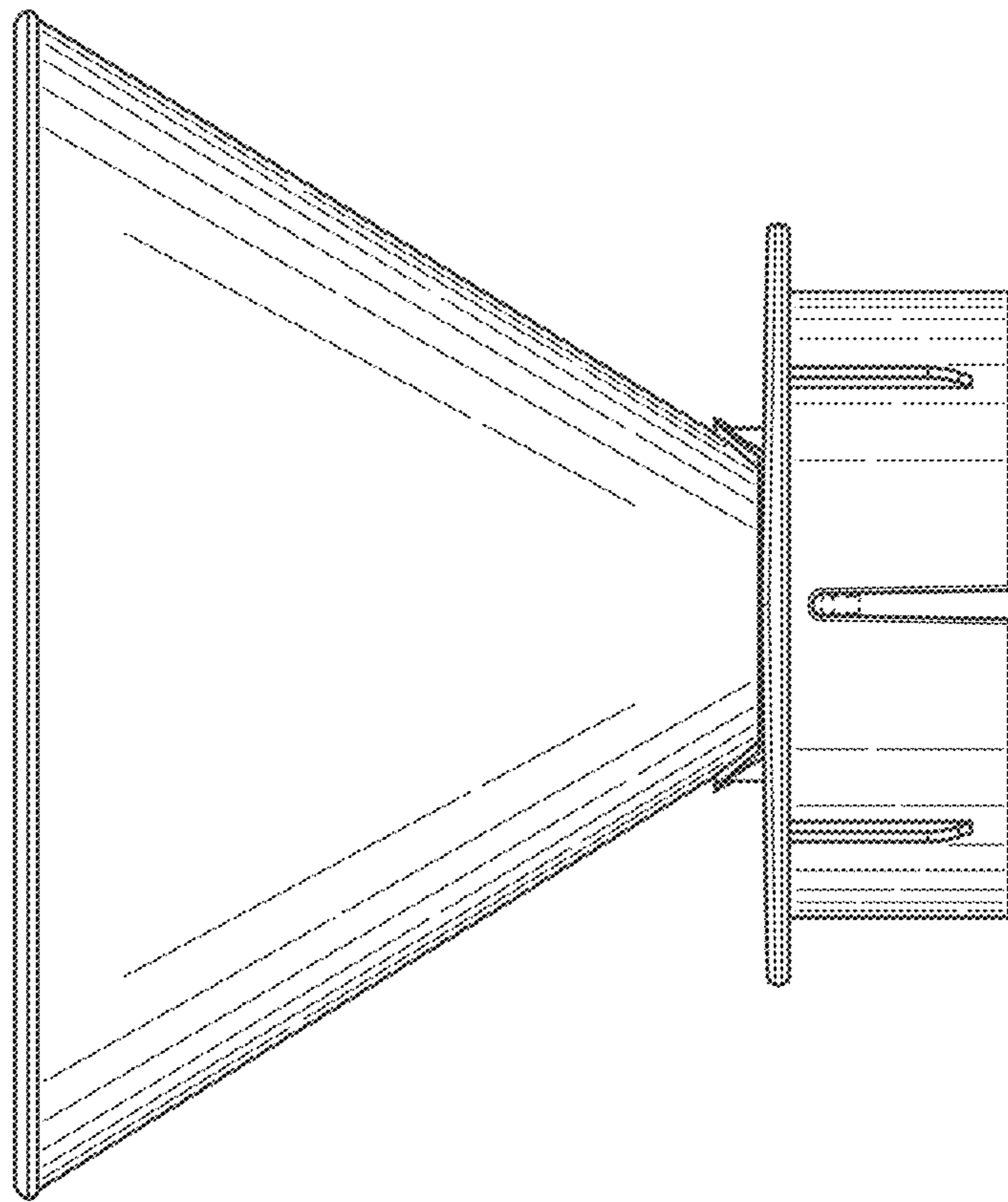


FIG. 2

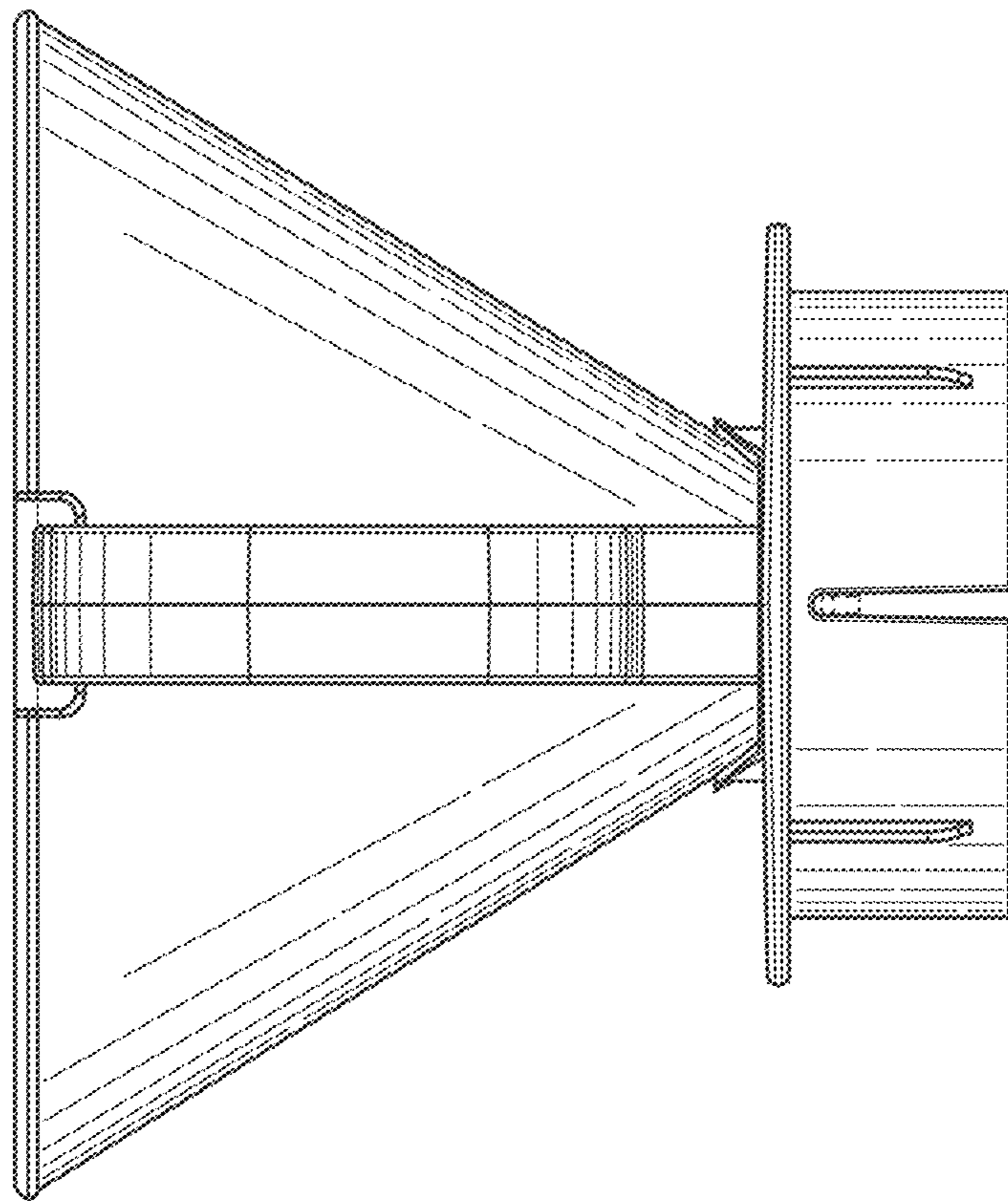


FIG. 3

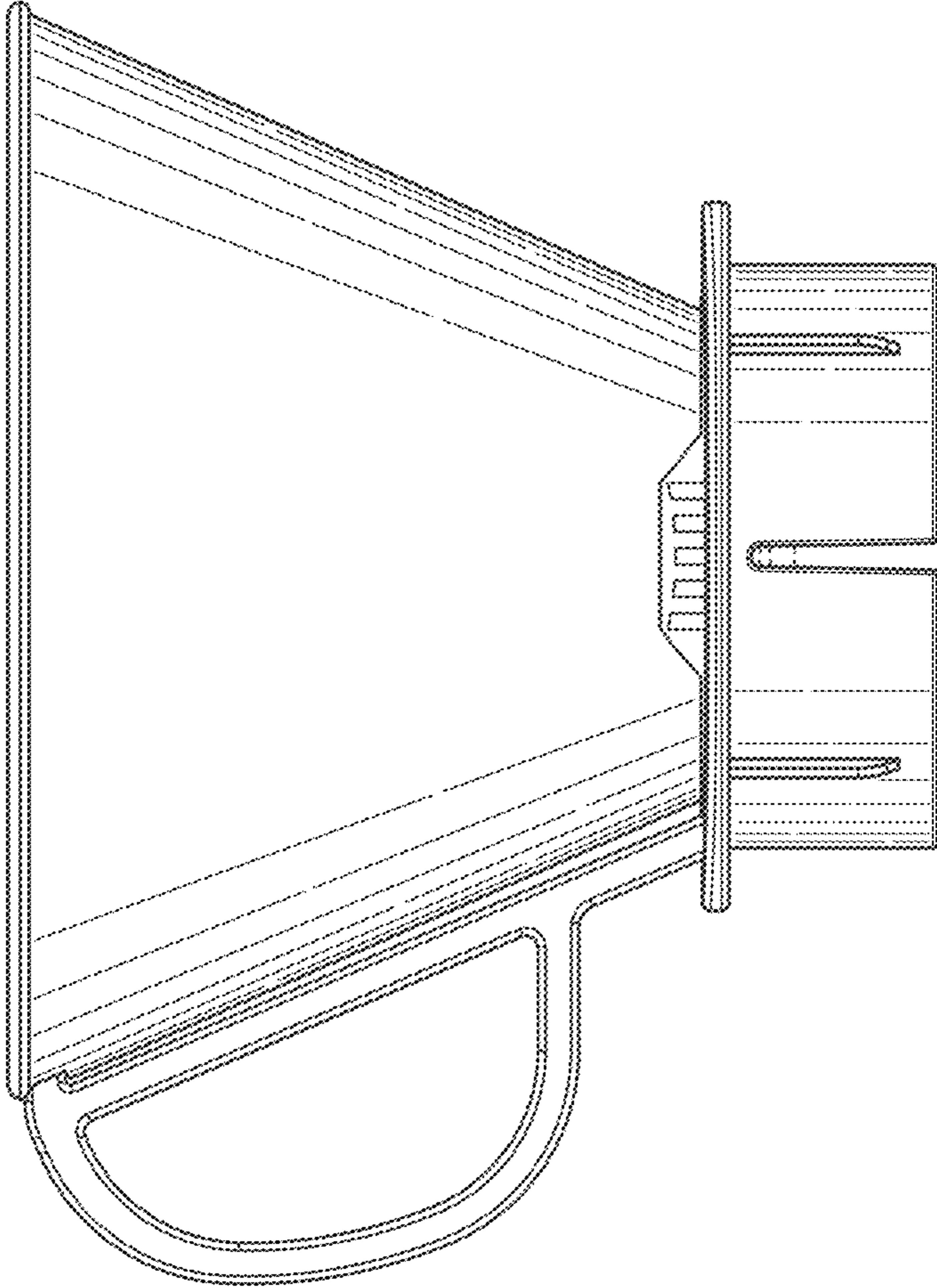


FIG. 4

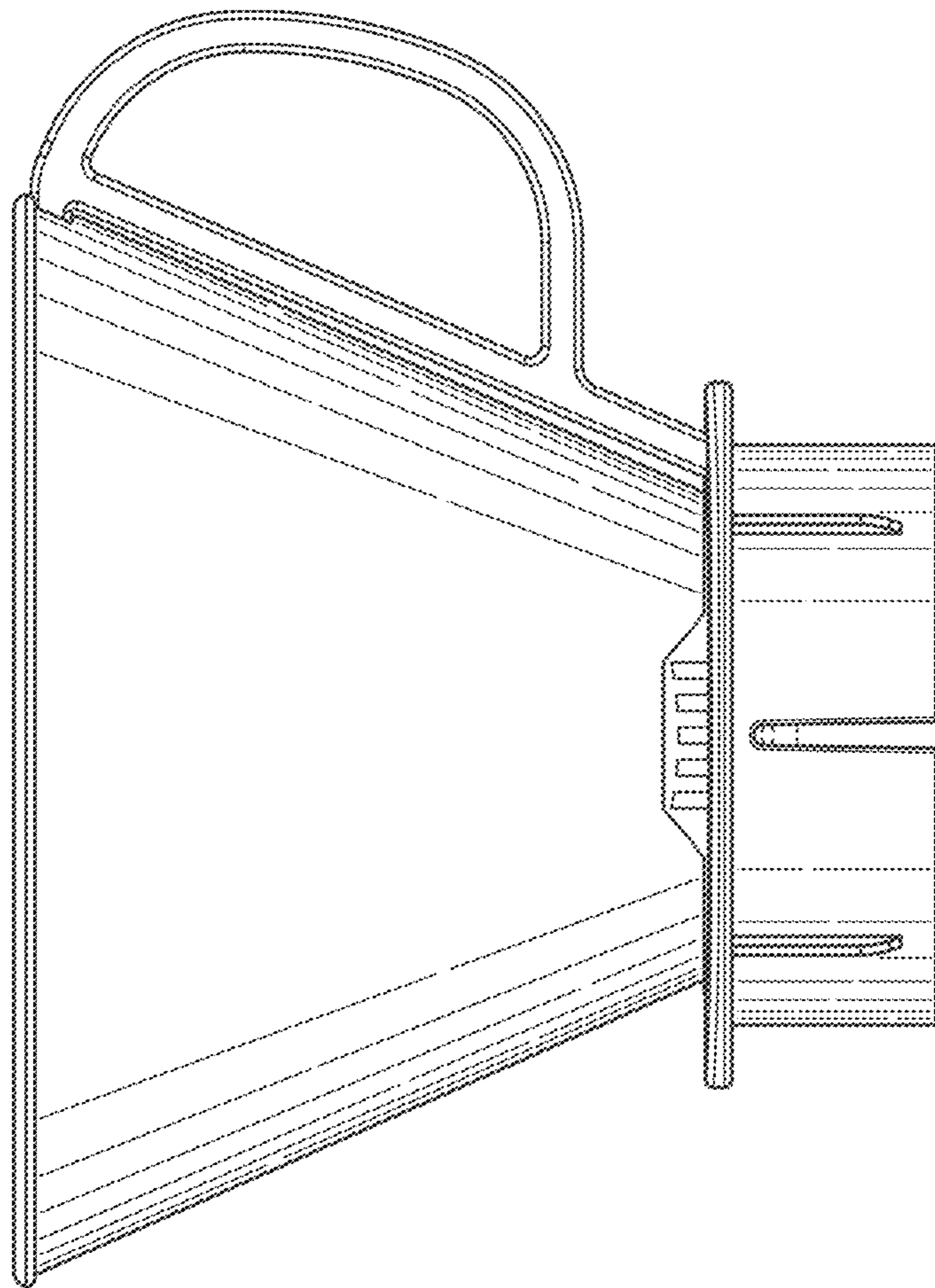


FIG. 5

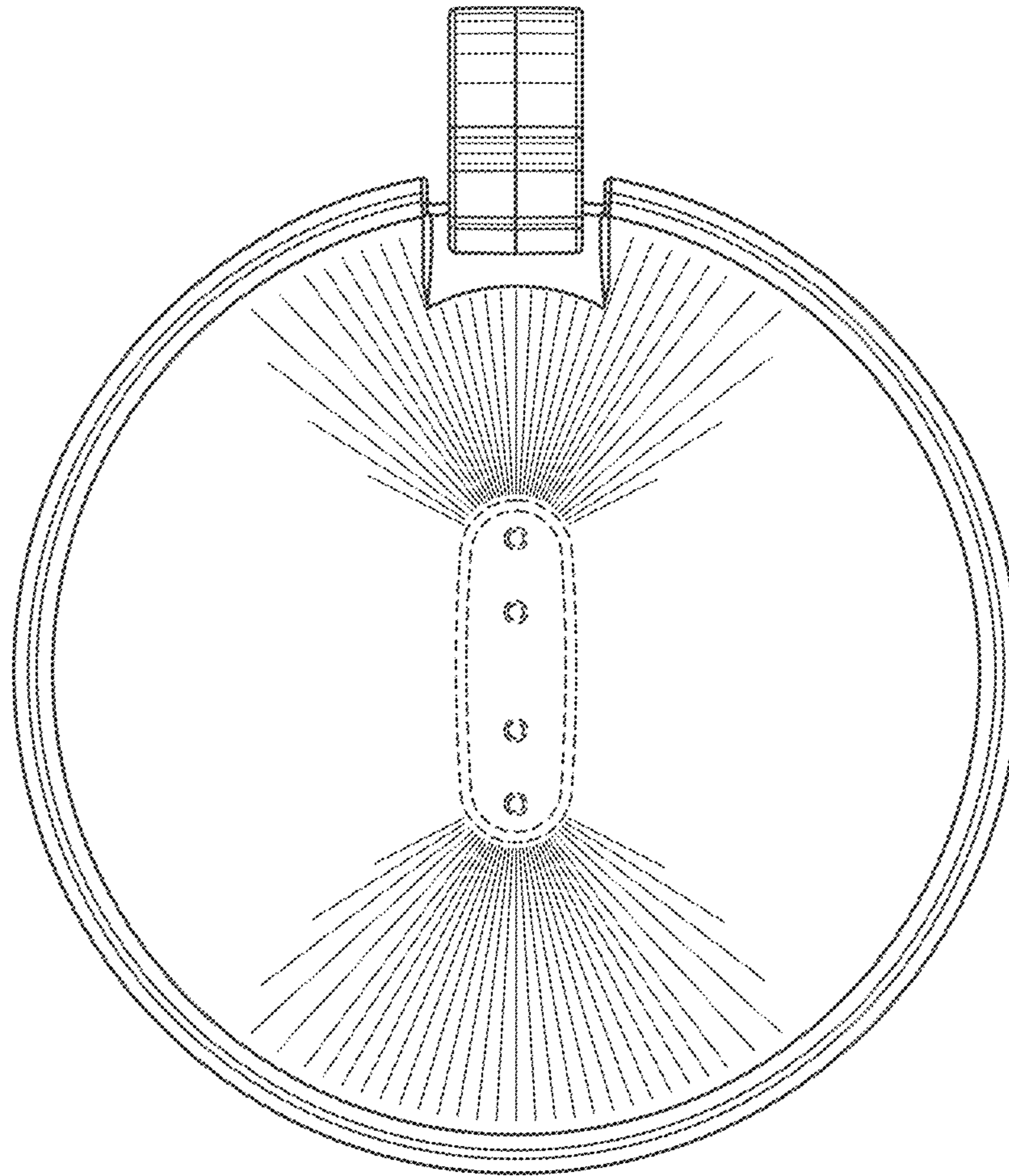


FIG. 6

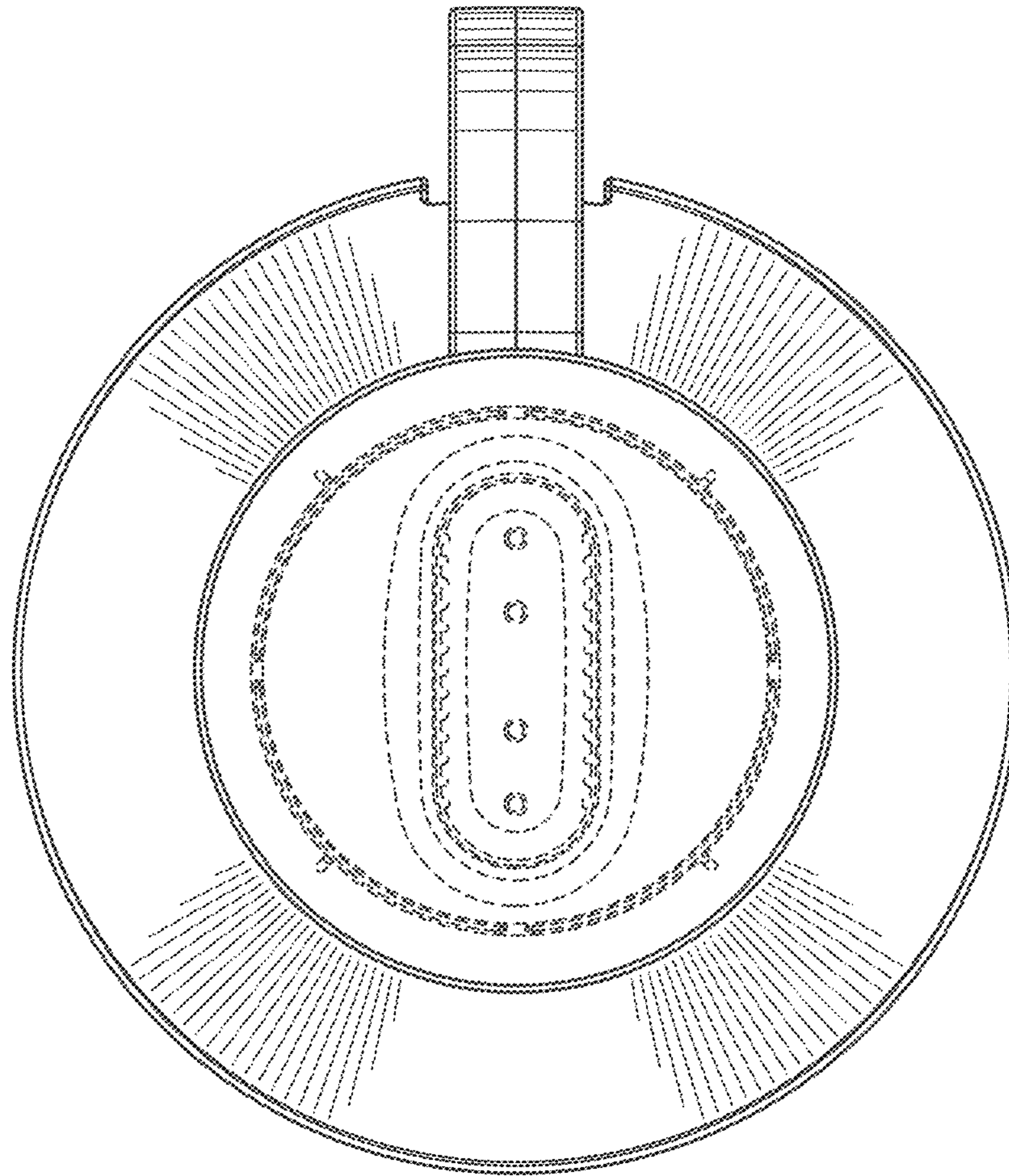


FIG. 7