



US00D966798S

(12) **United States Design Patent** (10) **Patent No.:** **US D966,798 S**
Zhang (45) **Date of Patent:** **** Oct. 18, 2022**

(54) **HANDLE FOR KITCHEN UTENSIL**

(71) Applicant: **Siduo Zhang**, Guangdong (CN)

(72) Inventor: **Siduo Zhang**, Guangdong (CN)

(73) Assignee: **GUANGZHOU BAOMEI NETWORK TECHNOLOGY CO., LTD.**, Guangzhou (CN)

(**) Term: **15 Years**

(21) Appl. No.: **29/800,761**

(22) Filed: **Jul. 23, 2021**

(51) **LOC (13) Cl.** **07-02**

(52) **U.S. Cl.**
USPC **D7/395**; D8/107

(58) **Field of Classification Search**
USPC D7/395, 393, 401.2, 642, 664, 688–693,
D7/387, 361, 354, 682, 667, 412;
D8/300, 303, 307, 310–312, 321, 107, 80,
D8/83, 58; D4/138, 104; D21/756
CPC B25G 1/00; B25G 1/02; B25G 1/10; A47J
43/28; A47J 43/284; A47J 43/288
See application file for complete search history.

(56) **References Cited**

U.S. PATENT DOCUMENTS

- D180,749 S * 8/1957 Pardon D7/664
- D258,168 S * 2/1981 MacDougall D21/756
- D360,076 S * 7/1995 Schneider D4/104
- D372,411 S * 8/1996 Ho D8/83
- D375,433 S * 11/1996 Jorgensen D7/354
- D416,184 S * 11/1999 Gathmann D8/58
- D429,526 S * 8/2000 Sullivan D8/107
- D432,381 S * 10/2000 Khachatoorian D8/80
- D448,645 S * 10/2001 Lin D8/83
- D462,885 S * 9/2002 Hung D8/80
- D478,267 S * 8/2003 Chen D8/80
- D632,858 S * 2/2011 Sgroi D8/107
- D690,153 S 9/2013 Zemel

- D696,563 S * 12/2013 Hauser D7/682
- D730,689 S * 6/2015 Bodum D7/412
- D778,056 S * 2/2017 Wada D4/138
- D876,185 S * 2/2020 Hernández Ramos D7/693
- D900,562 S * 11/2020 Huang D7/690
- D902,674 S * 11/2020 Huang D7/690
- D911,128 S * 2/2021 Xie D7/692
- D914,469 S * 3/2021 Xie D7/691
- D914,470 S * 3/2021 Xie D7/692
- D915,159 S * 4/2021 Xie D7/691
- D915,844 S * 4/2021 Xie D7/688
- D917,244 S * 4/2021 Xie D7/667

(Continued)

OTHER PUBLICATIONS

33 Piece Kitchen Utensils Set, Wayfair [online], no publication date, [retrieved on Apr. 14, 2022]. Retrieved from the Internet, URL: <https://www.wayfair.com/kitchen-tabletop/pdp/zntellectual-33-piece-kitchen-utensils-set-ztel2504.html?piid=63915990>.*

Primary Examiner — Nicole C Shiflet

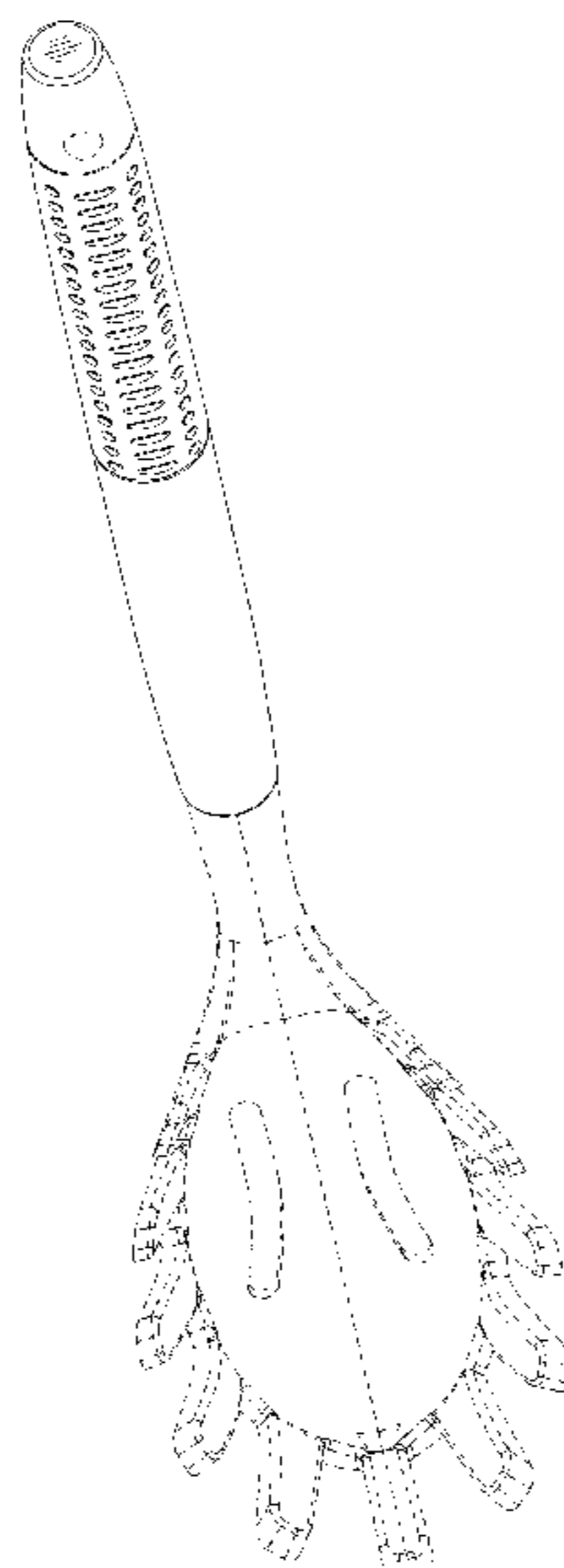
(57) **CLAIM**

The ornamental design for a handle for kitchen utensil, as shown and described.

DESCRIPTION

FIG. 1 is a top, front perspective view of a handle for kitchen utensil showing my new design;
FIG. 2 is a rear, top, right side perspective view thereof;
FIG. 3 is a front elevation view thereof;
FIG. 4 is a rear elevation view thereof;
FIG. 5 is a left side elevation view thereof, the right side elevation view being a mirror image of the left side elevation view;
FIG. 6 is an enlarged top plan view thereof; and,
FIG. 7 is an enlarged bottom plan view thereof.
The broken lines in the drawings illustrate environment and portions of the handle for kitchen utensil and form no part of the claimed design.

1 Claim, 6 Drawing Sheets



(56)

References Cited

U.S. PATENT DOCUMENTS

D918,674 S * 5/2021 Xie D7/692
D920,038 S 5/2021 Thompson
D934,638 S * 11/2021 Lin D7/682

* cited by examiner

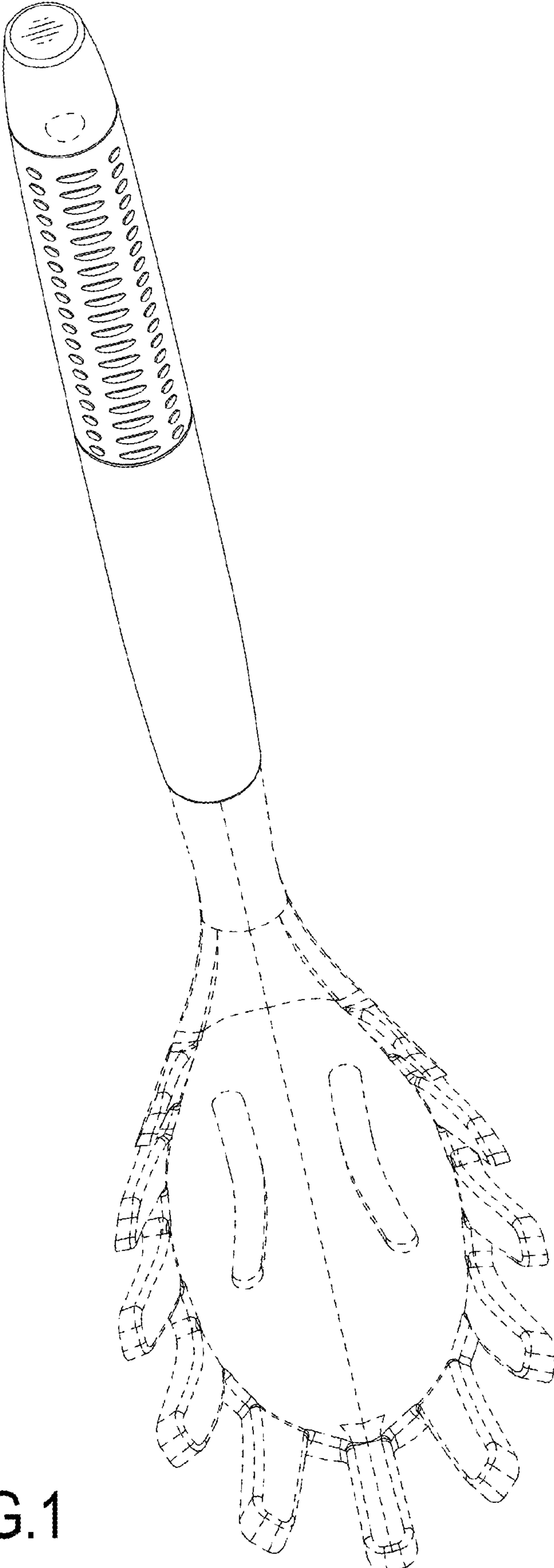


FIG.1

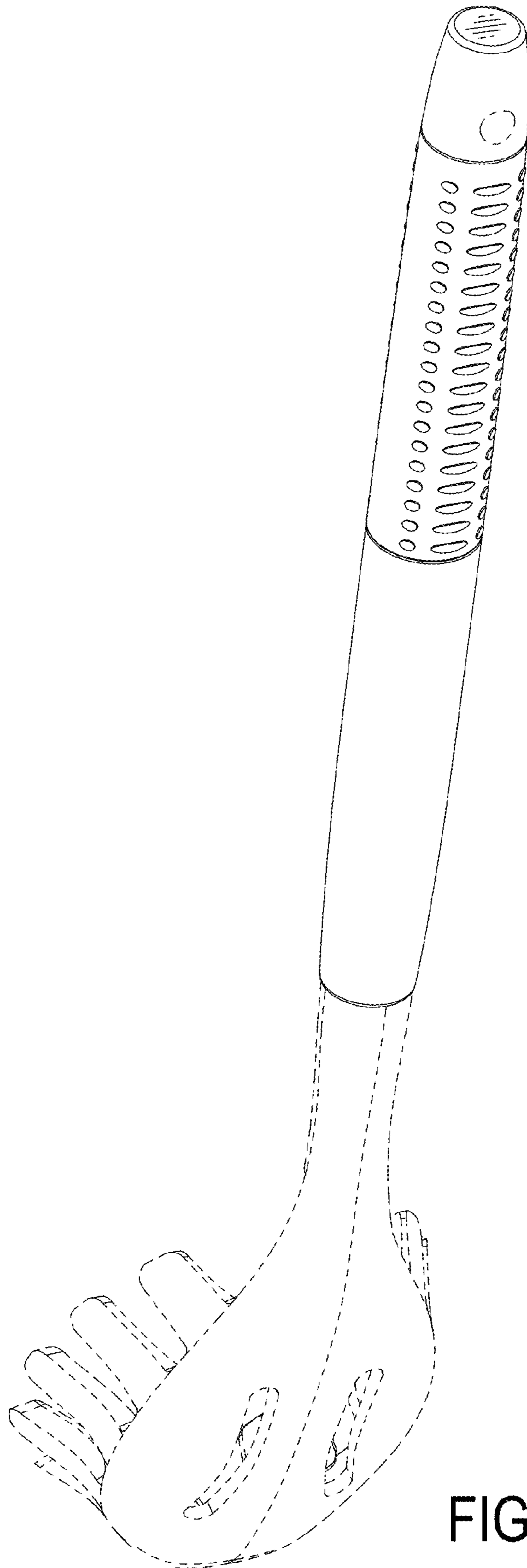


FIG.2

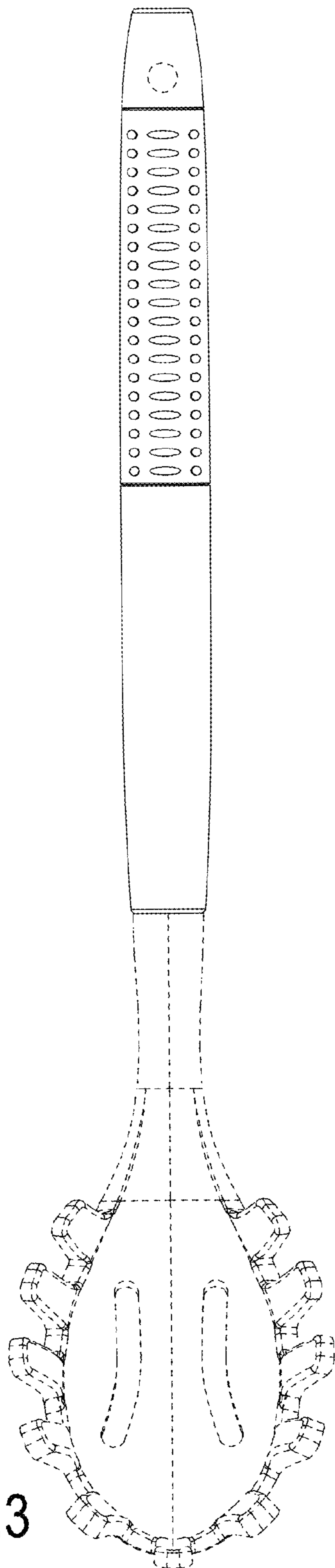


FIG.3

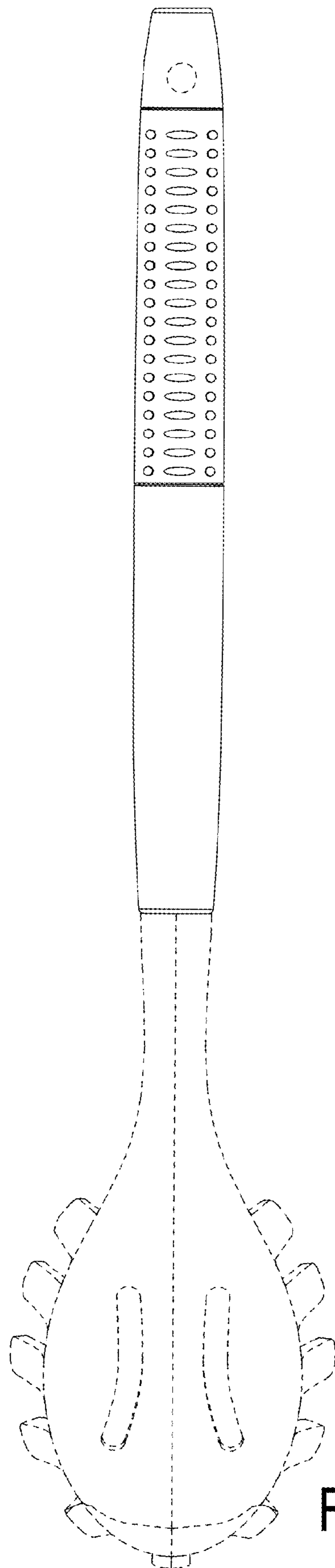


FIG.4

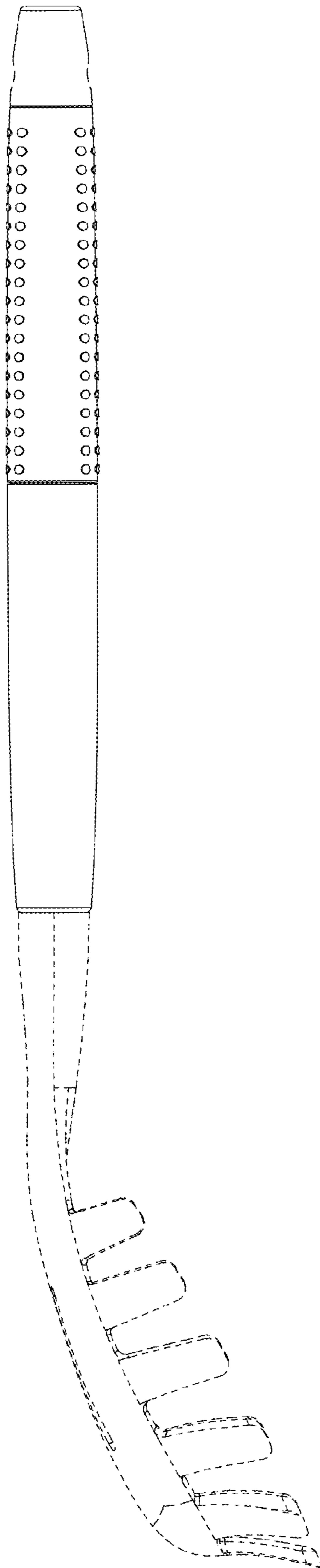


FIG.5

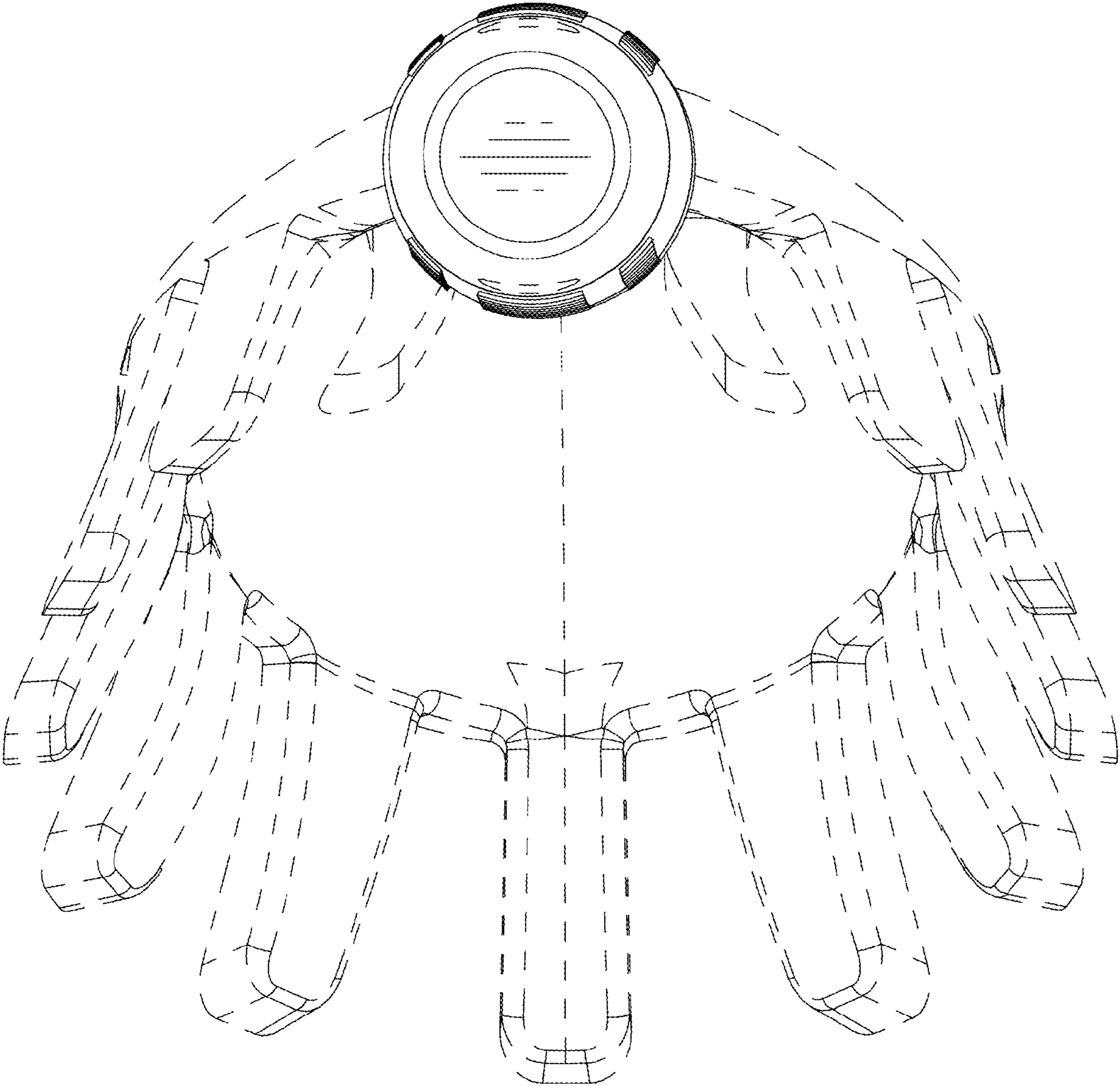


FIG.6

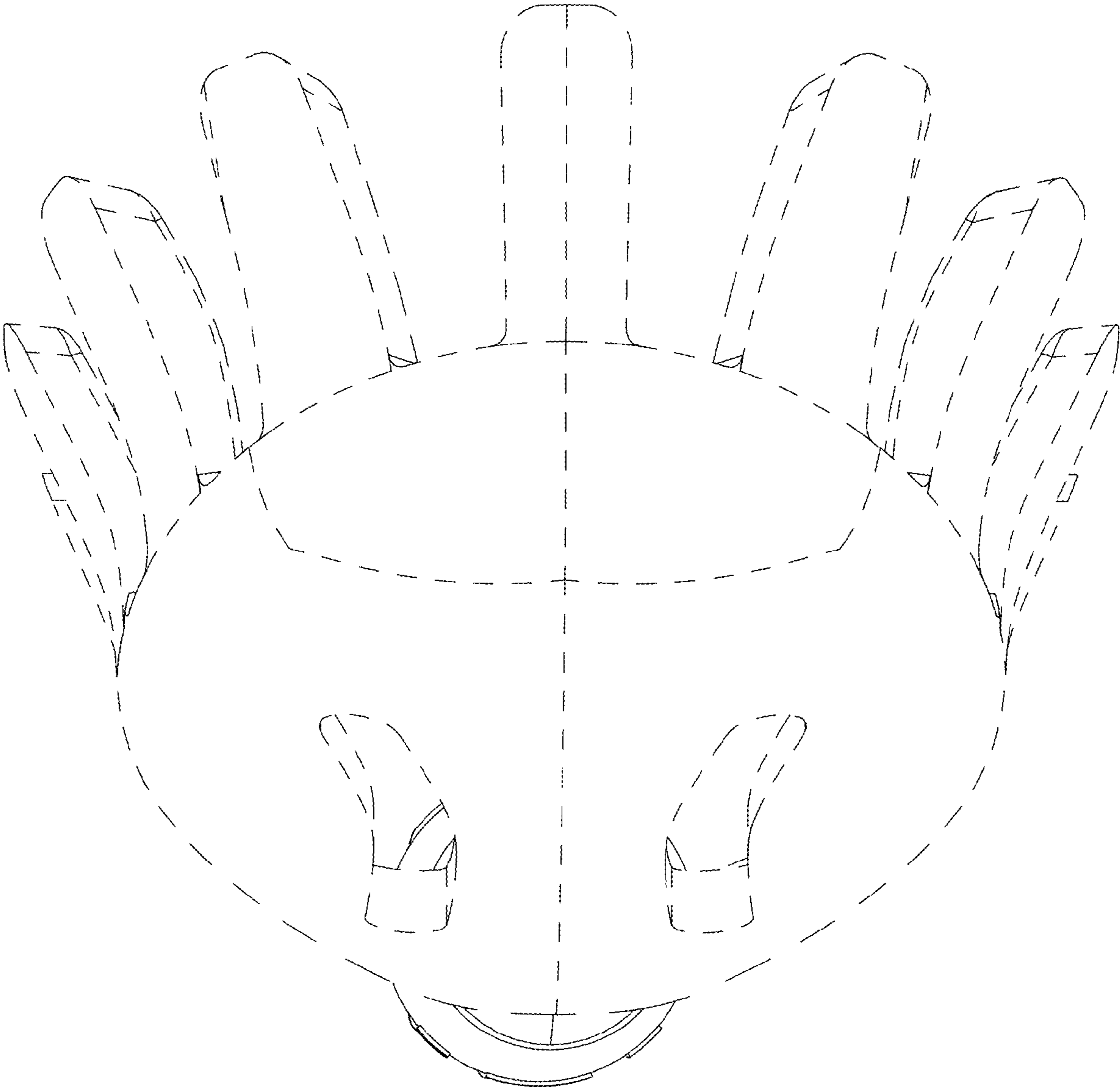


FIG.7