



US00D966797S

(12) **United States Design Patent** (10) **Patent No.:** **US D966,797 S**
Zemel et al. (45) **Date of Patent:** **** Oct. 18, 2022**

(54) **UTENSIL HANDLE**

FOREIGN PATENT DOCUMENTS

(71) Applicant: **Mr. Bar-B-Q Products LLC**, Melville, NY (US)

GB 6197683 * 3/2022

(72) Inventors: **Marc Zemel**, Melville, NY (US);
Joanne Rudis, Melville, NY (US)

OTHER PUBLICATIONS

(73) Assignee: **MR. BAR-B-Q PRODUCTS LLC**, Hauppauge, NY (US)

OXO Good Grips Grilling Tools, Turner, Black. Online, published date Dec. 22, 2020. Retrieved on Jul. 11, 2022 from URL:https://www.amazon.com/OXO-Grips-Grilling-Tools-Turner/dp/B08.*

(**) Term: **15 Years**

Primary Examiner — Shannon W Morgan
Assistant Examiner — Royner Mendoza

(21) Appl. No.: **29/770,753**

(74) *Attorney, Agent, or Firm* — Carter, Deluca & Farrell LLP

(22) Filed: **Feb. 16, 2021**

(57) **CLAIM**

The ornamental design for a utensil handle, as shown and described.

(51) **LOC (13) Cl.** **07-03**

DESCRIPTION

(52) **U.S. Cl.**
USPC **D7/395**; D7/688

(58) **Field of Classification Search**
USPC D7/393–395, 401.2, 642–652, 693, D7/695–696, 683, 686; D8/93, 97–100, D8/107, 300, 321; D24/133, 146, 147
CPC A47G 21/10; A47J 36/00; A47J 43/283; G01K 13/00; G01K 2217/00; G01K 2207/06

FIG. 1 is a perspective view of a utensil handle in a locked configuration in accordance with the present design;
FIG. 2 is a top plan view thereof;
FIG. 3 is a bottom plan view thereof;
FIG. 4 is a left side elevational view thereof;
FIG. 5 is a right side elevational view thereof;
FIG. 6 is a front elevational view thereof;
FIG. 7 is a rear elevational view thereof;
FIG. 8 is a perspective view of the utensil handle of FIG. 1 in an unlocked configuration in accordance with the present design;
FIG. 9 is a top plan view thereof;
FIG. 10 is a bottom plan view thereof;
FIG. 11 is a left side elevational view thereof;
FIG. 12 is a right side elevational view thereof;
FIG. 13 is a front elevational view thereof; and,
FIG. 14 is a rear elevational view thereof.

See application file for complete search history.

The dot-dash broken lines depict portions of the utensil handle that form no part of the claimed design. The dash lines in the drawings depict environmental subject matter and form no part of the claimed design.

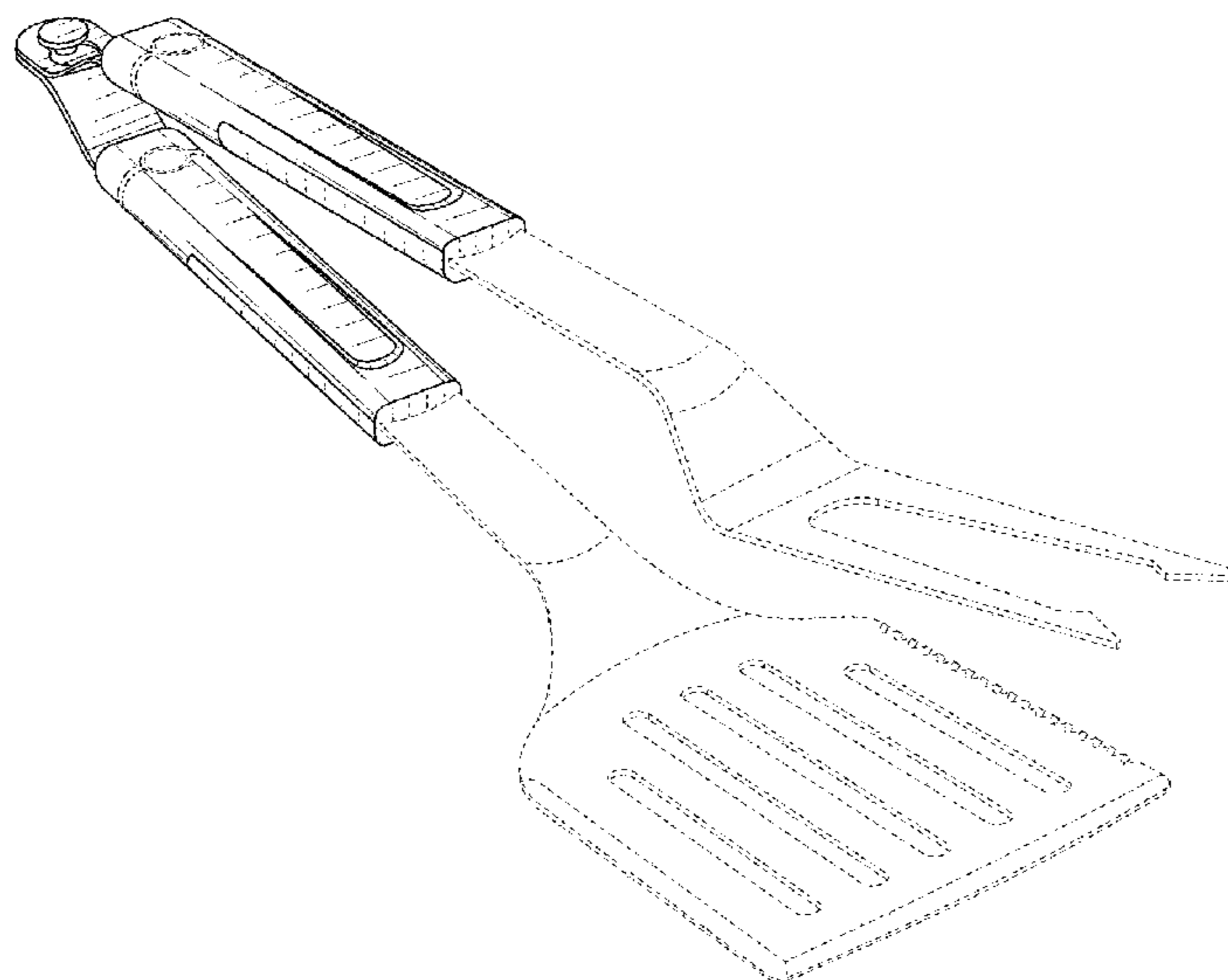
(56) **References Cited**

U.S. PATENT DOCUMENTS

D254,767 S 4/1980 Christen, Jr.
D392,849 S 3/1998 Zeller
5,774,994 A * 7/1998 Stein B25G 1/04 30/162
D414,653 S * 10/1999 Kaposi D7/401.2
D427,858 S * 7/2000 Zemel D7/692
D444,041 S 6/2001 Thuma
D447,430 S 9/2001 Kehoe
D448,609 S * 10/2001 Hay D7/395
D457,789 S 5/2002 Rowe et al.

(Continued)

1 Claim, 8 Drawing Sheets



(56)

References Cited

U.S. PATENT DOCUMENTS

D458,802 S *	6/2002	Richied	D7/395	D588,867 S *	3/2009	Zemel	D7/393
D461,379 S	8/2002	Wang		D601,849 S	10/2009	Zemel	
D475,585 S	6/2003	Chen		D628,029 S *	11/2010	Rothman	D7/686
6,584,692 B1	7/2003	Stills et al.		D657,619 S *	4/2012	Zemel	D7/393
D481,915 S *	11/2003	Mezger-Boehringer	D7/686	D658,432 S	5/2012	Zemel	
D494,006 S	8/2004	Zemel		D658,434 S	5/2012	Zemel	
D502,367 S *	3/2005	Claypool	D7/686	D658,936 S	5/2012	Zemel	
7,086,676 B2	8/2006	Sumter et al.		D664,816 S	8/2012	Difante	
D528,857 S	9/2006	Zemel		D667,707 S	9/2012	Zemel	
D531,463 S	11/2006	Jarvis et al.		D692,284 S *	10/2013	Horito	D7/686
D535,145 S *	1/2007	Zemel	D7/393	D717,106 S *	11/2014	Zemel	D7/393
D535,853 S *	1/2007	Zemel	D7/393	D773,240 S *	12/2016	Zemel	D7/393
D545,122 S	6/2007	Zemel		D773,242 S *	12/2016	Zemel	D7/395
D546,620 S	7/2007	Zemel		D836,390 S *	12/2018	Zemel	D7/393
D564,290 S *	3/2008	Zemel	D7/393	10,485,365 B1 *	11/2019	van Dalen	A47G 21/10
D564,291 S	3/2008	Zemel		D874,889 S	2/2020	Zemel et al.	
D569,174 S	5/2008	Zemel		D912,463 S *	3/2021	Dai	D7/642
D572,079 S	7/2008	Zemel		D915,158 S *	4/2021	Zhou	D7/686
D572,080 S	7/2008	Zemel		2011/0044370 A1 *	2/2011	Schochet	G01K 13/00 374/E1.002
D578,826 S *	10/2008	Lu	D7/395	2015/0305570 A1 *	10/2015	Gibson	A47J 43/288 294/24

* cited by examiner

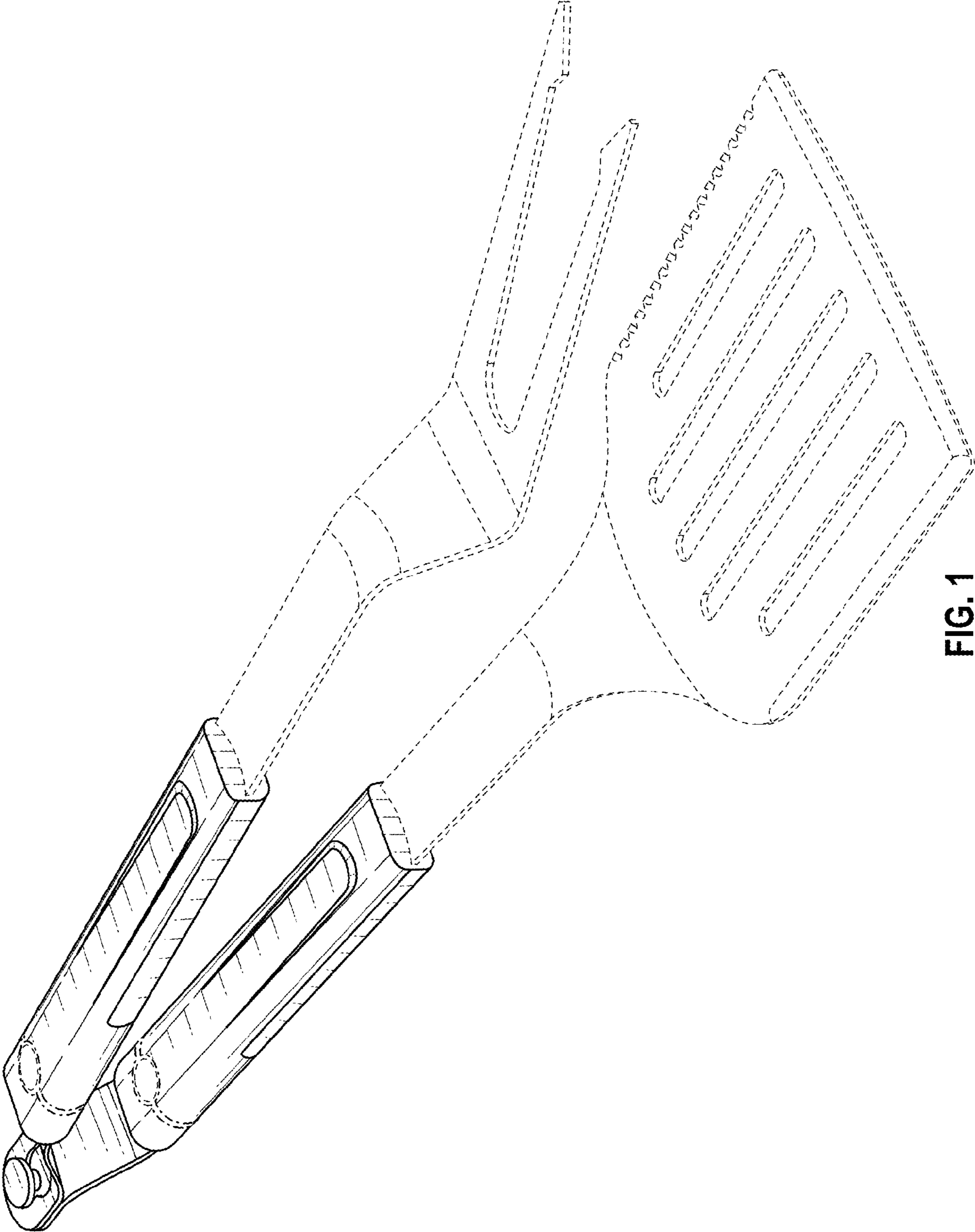


FIG. 1

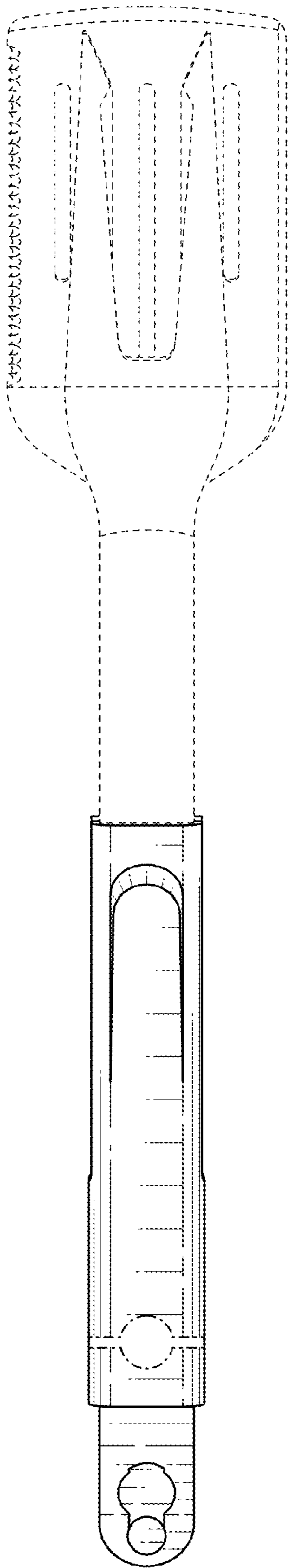


FIG. 2

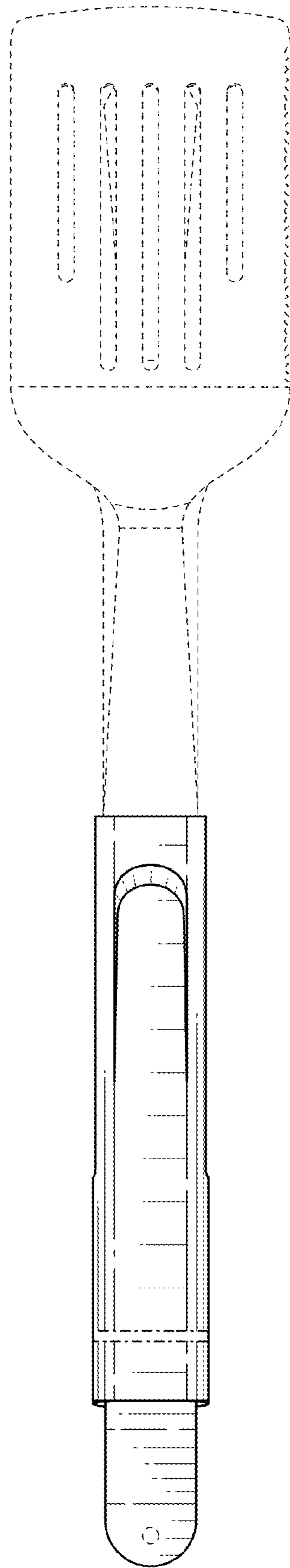


FIG. 3

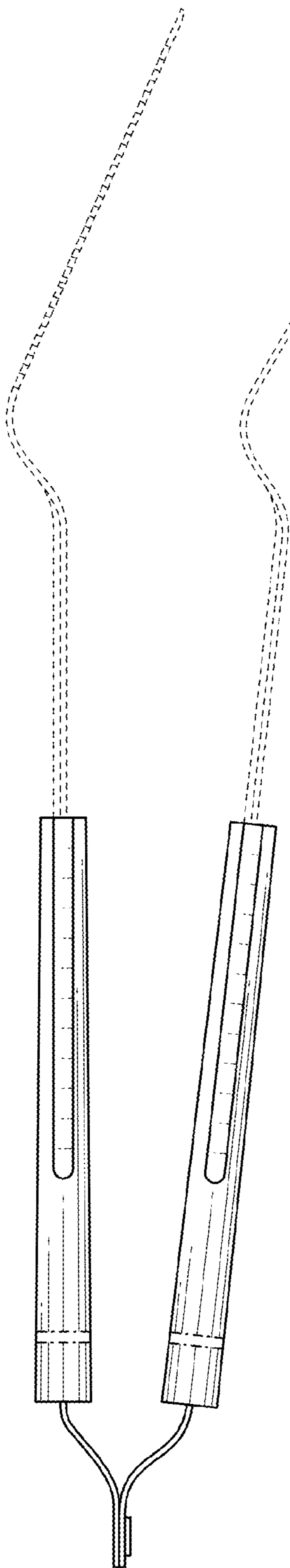


FIG. 4

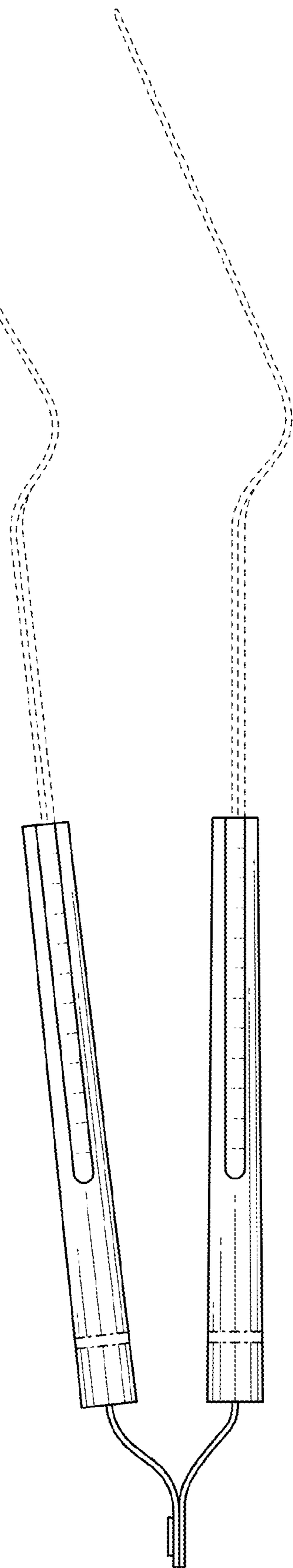
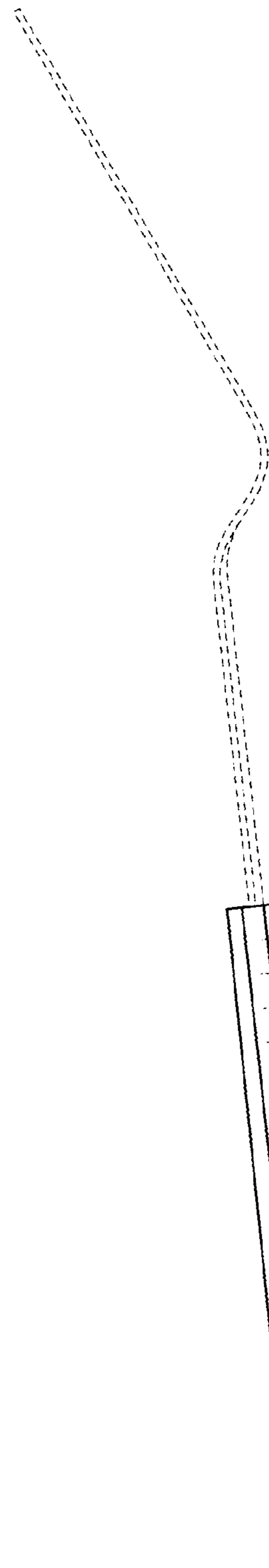
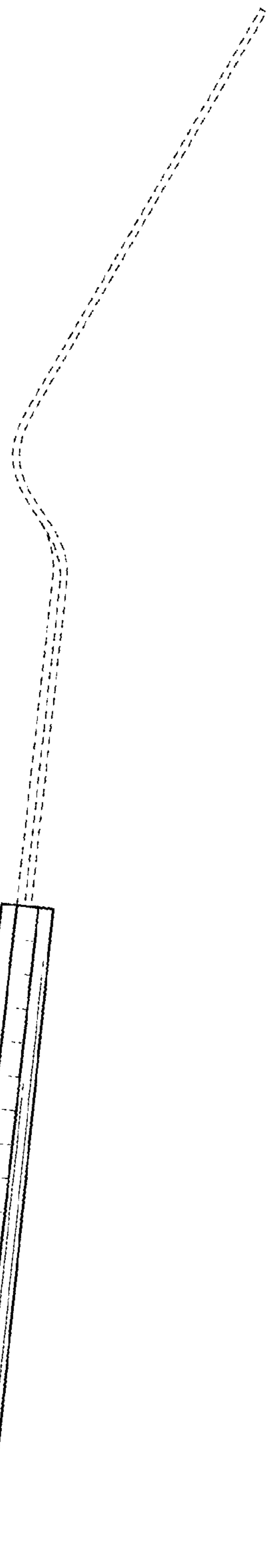


FIG. 5

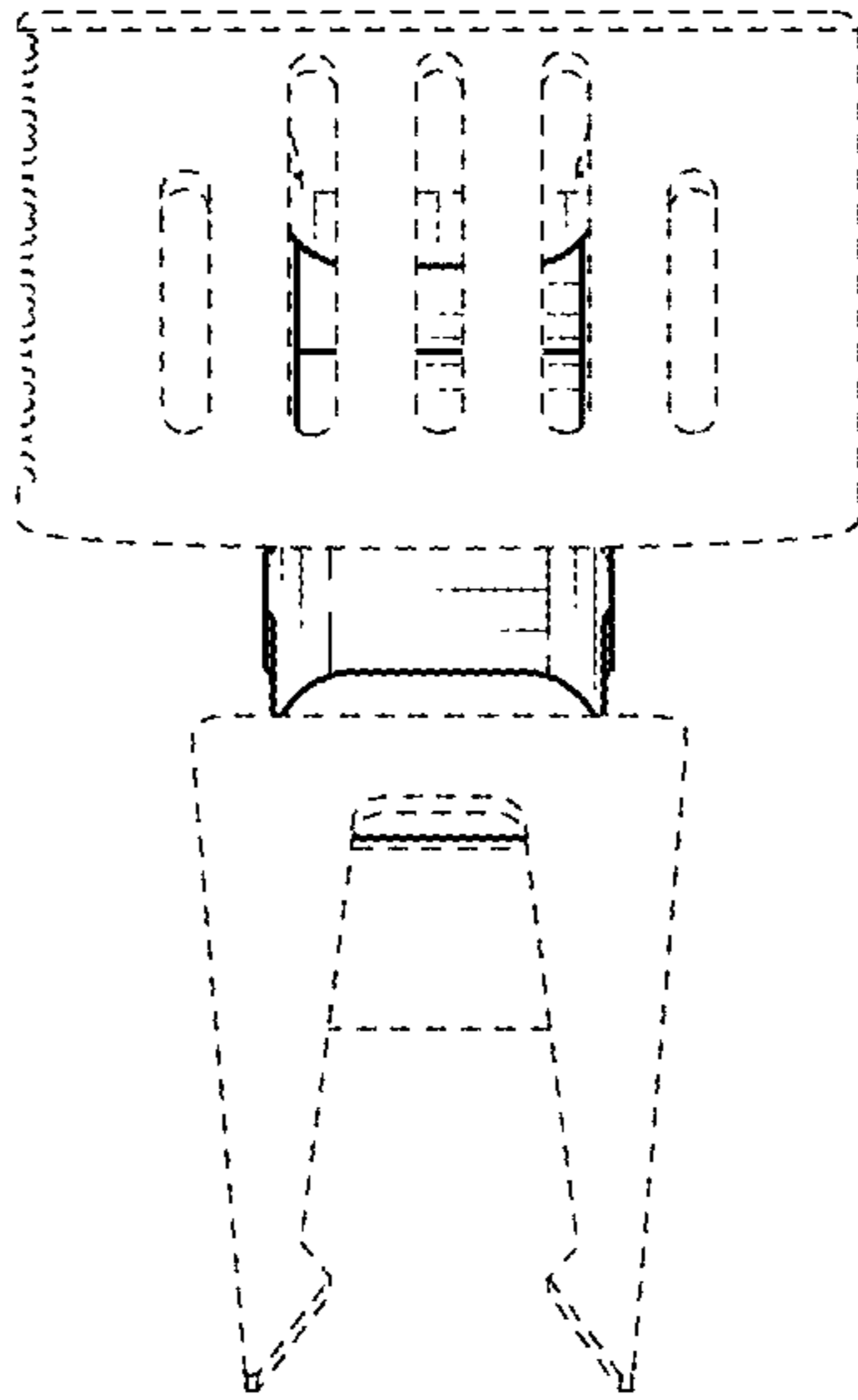


FIG. 6

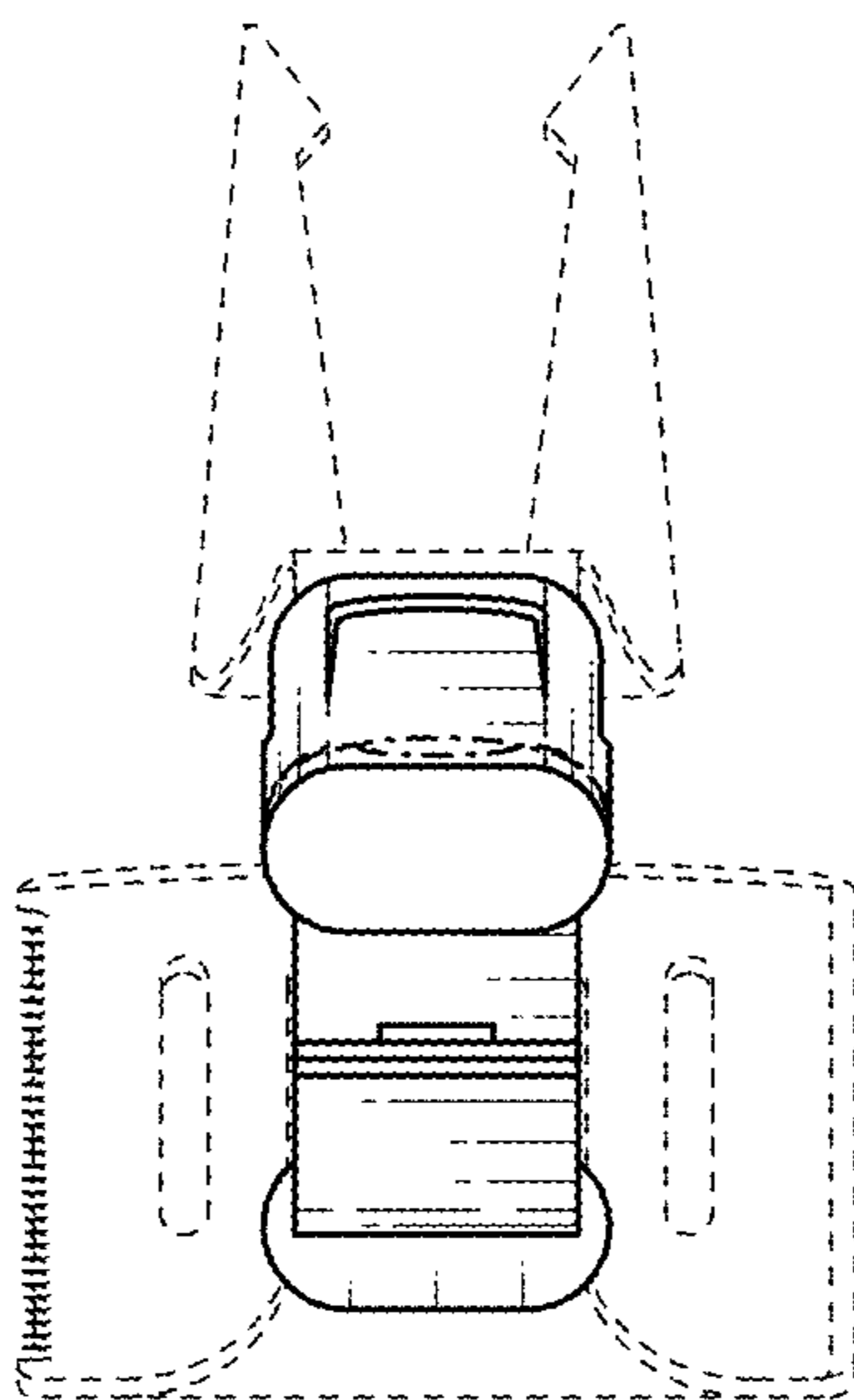


FIG. 7

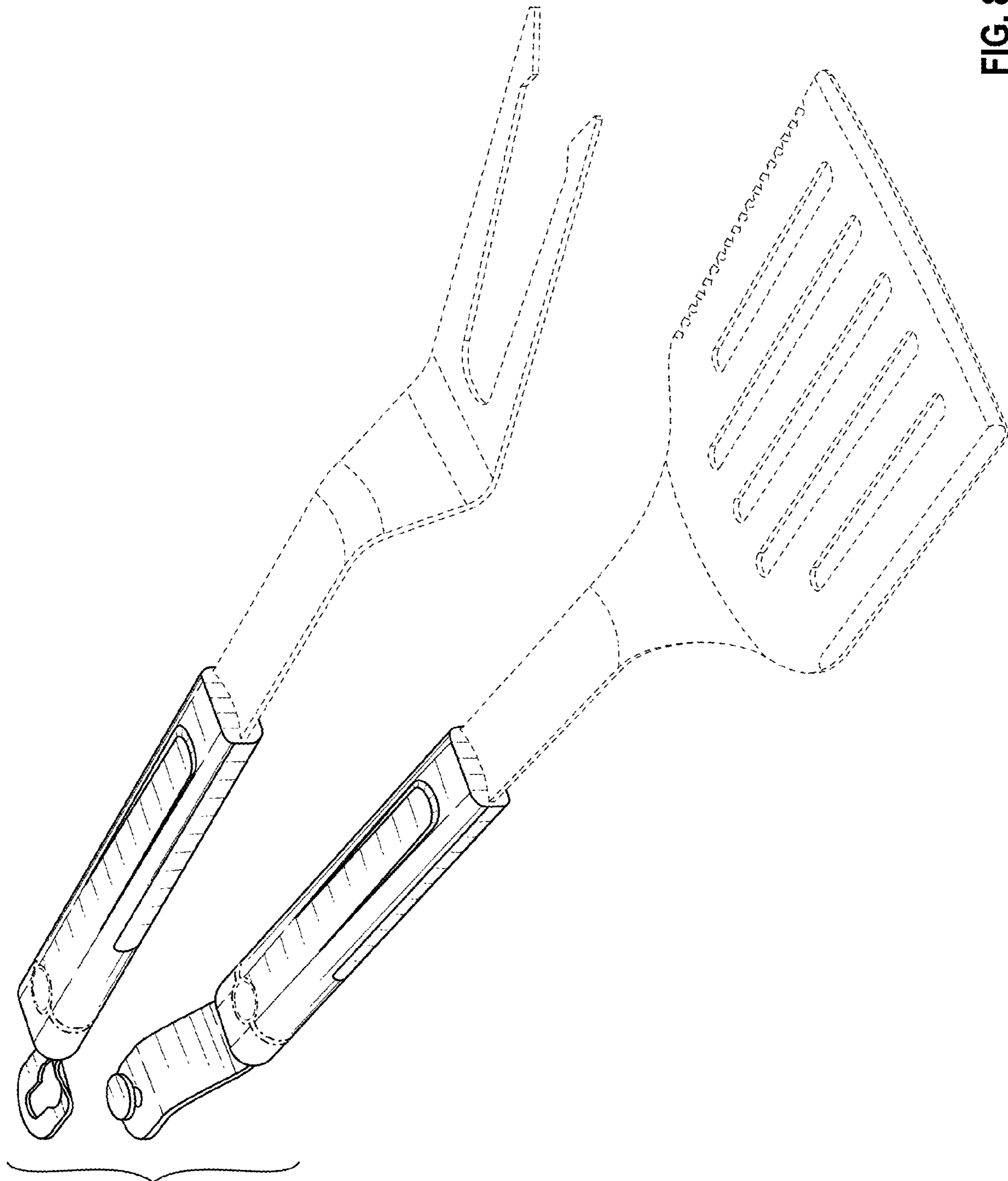


FIG. 8

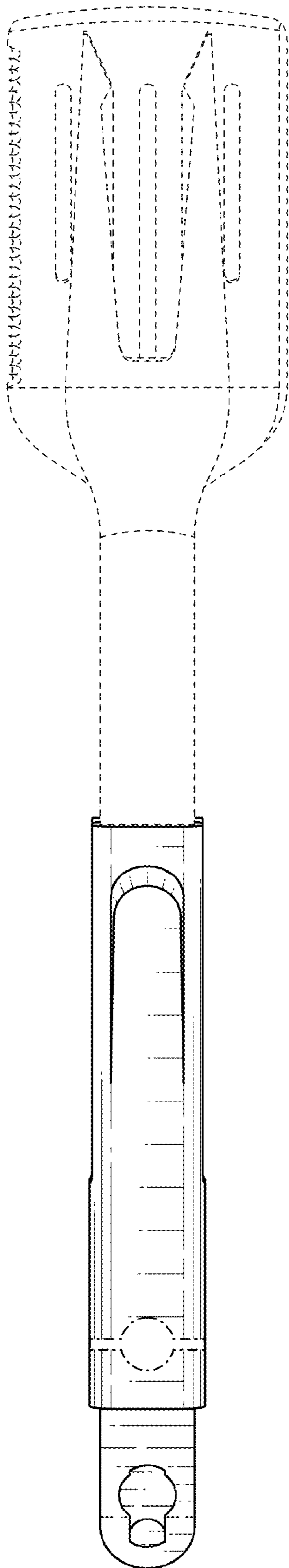


FIG. 9

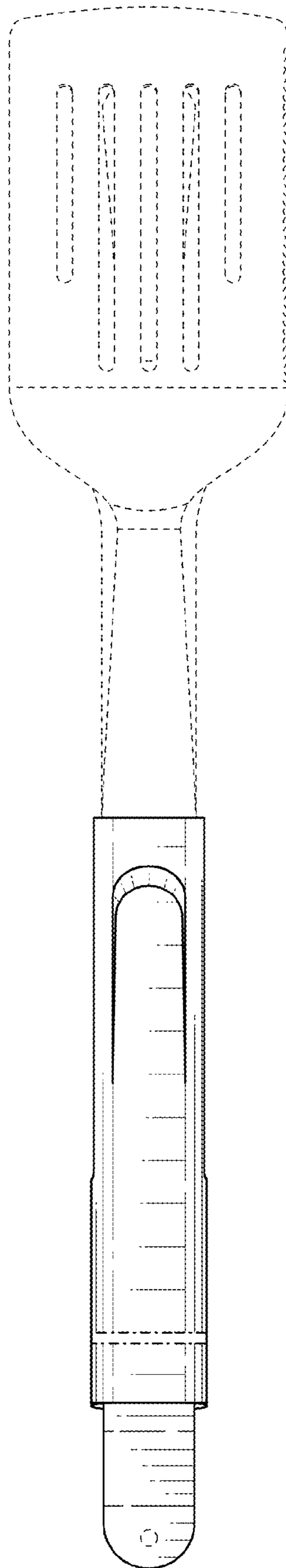


FIG. 10

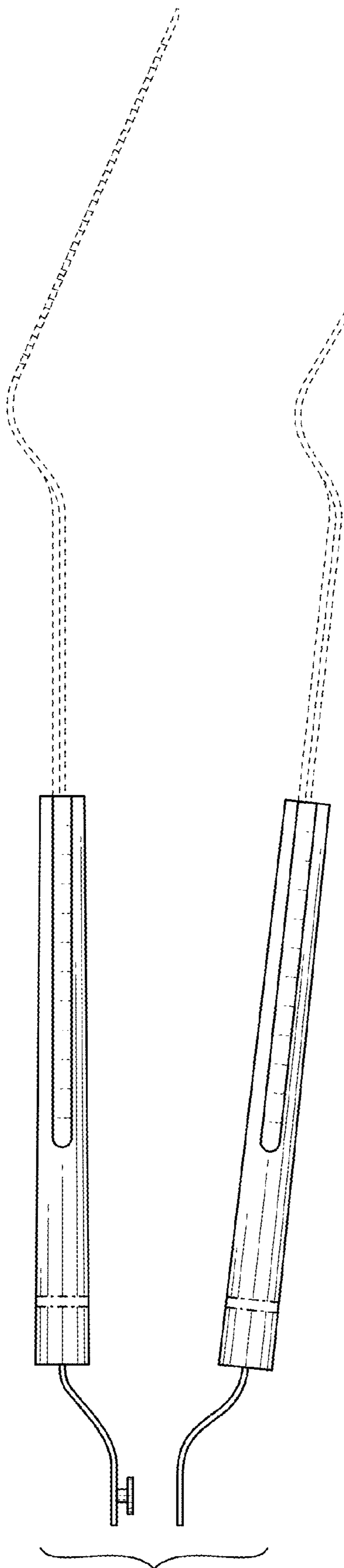


FIG. 11

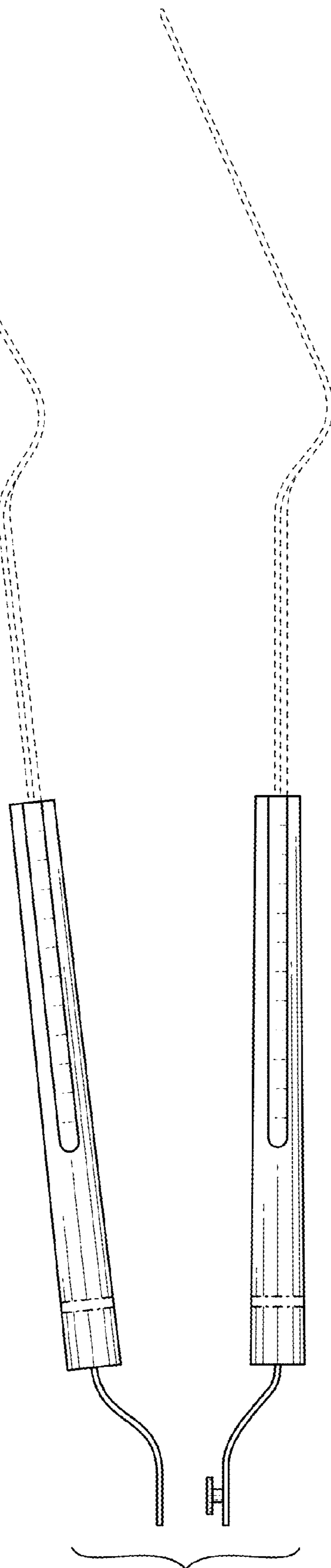
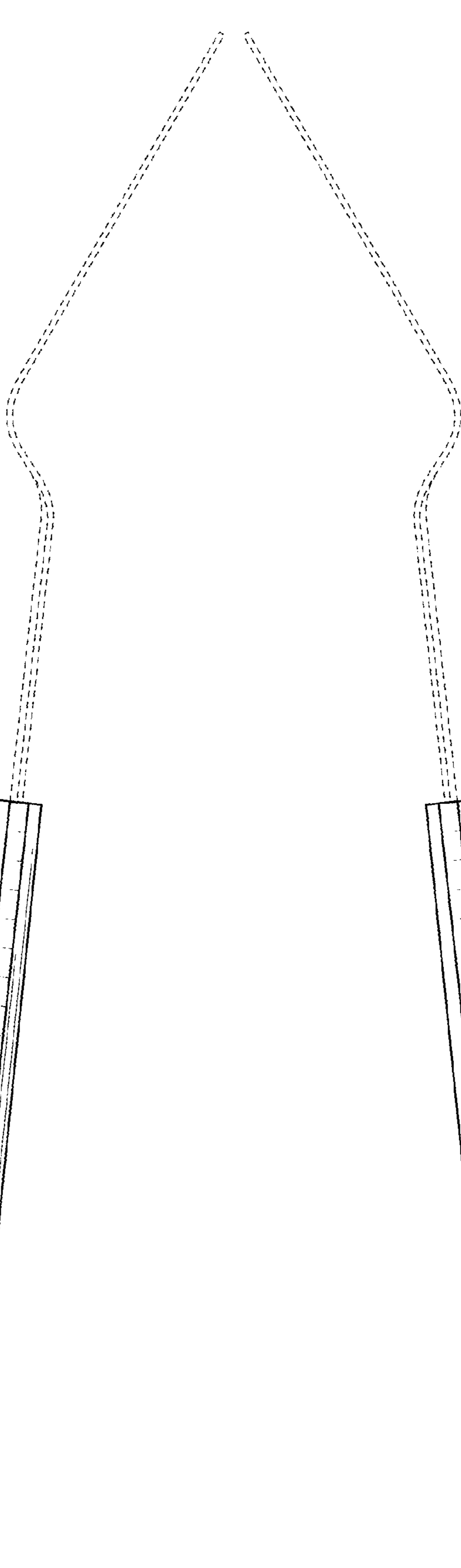


FIG. 12

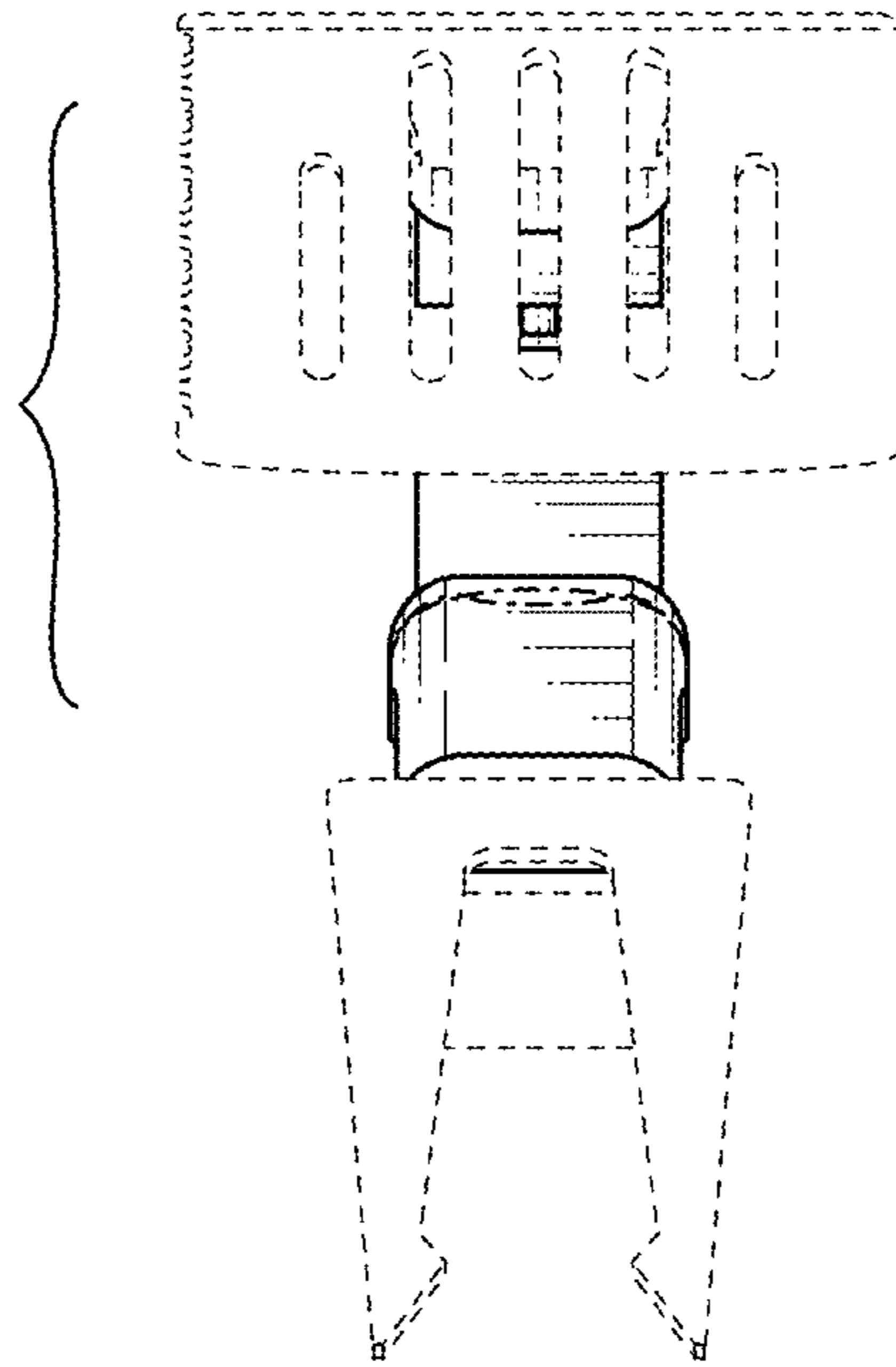


FIG. 13

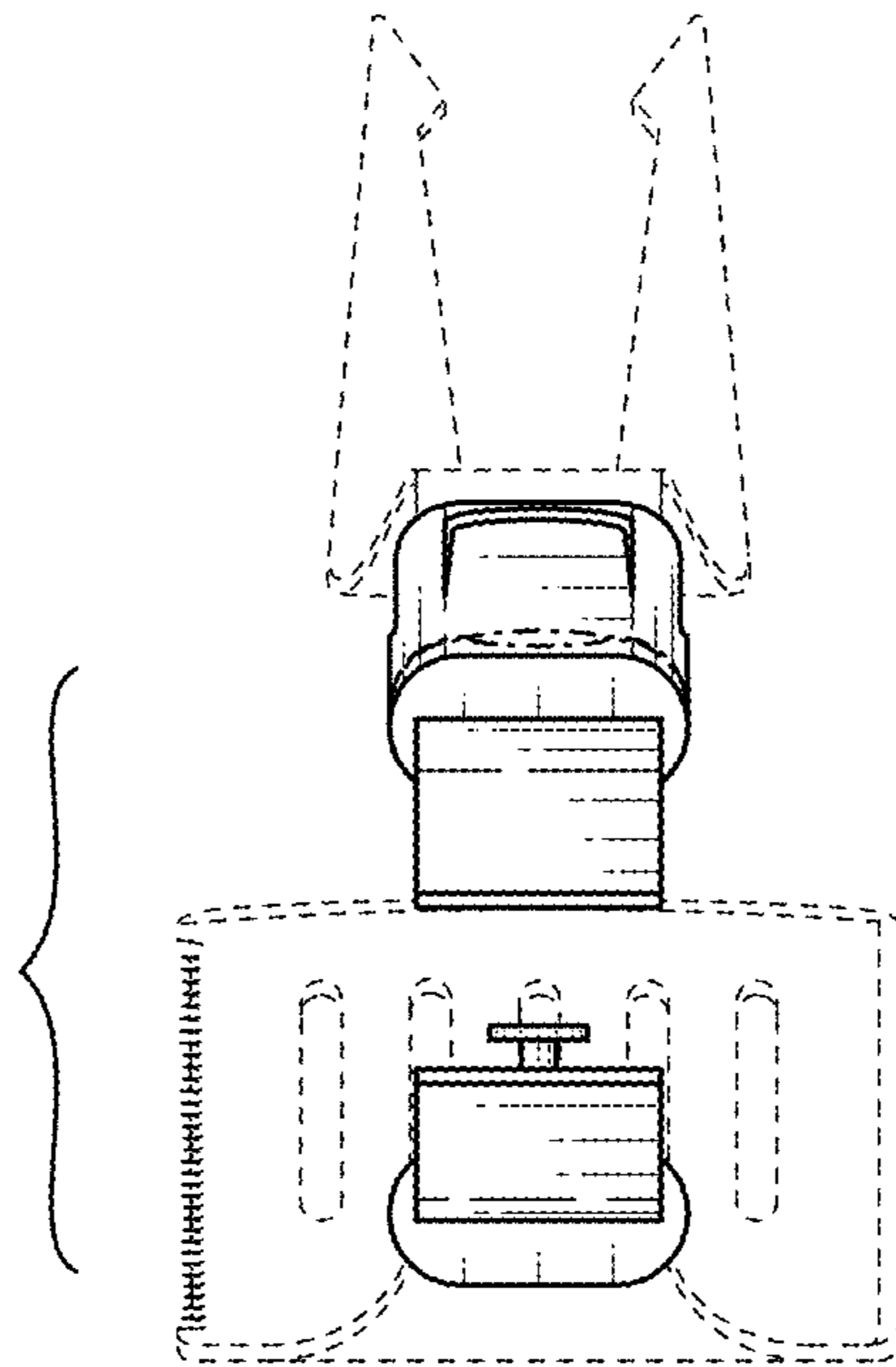


FIG. 14