



US00D966796S

(12) **United States Design Patent**
Cornu

(10) **Patent No.:** **US D966,796 S**

(45) **Date of Patent:** **** Oct. 18, 2022**

- (54) **FRY PAN HANDLE**
- (71) Applicant: **Dart Industries Inc.**, Orlando, FL (US)
- (72) Inventor: **Judicaël Cornu**, Schaerbeek (BE)
- (73) Assignee: **Dart Industries Inc.**, Orlando, FL (US)
- (**) Term: **15 Years**
- (21) Appl. No.: **29/753,235**
- (22) Filed: **Sep. 30, 2020**
- (51) **LOC (13) Cl.** **07-02**
- (52) **U.S. Cl.**
USPC **D7/395**
- (58) **Field of Classification Search**
USPC D7/393-396, 387, 323, 354, 360-361,
D7/402, 533-536, 401.2, 398, 391, 619.1;
D8/300, 303, 307, 313, 321, 315, 317,
D8/320, 310, 312; D12/178; D34/27
CPC A47J 45/071; A47J 45/072; A47J 45/074;
A47J 45/07; A47J 45/00; A47J 45/06;
A47J 45/061; A47J 45/062; A47J 45/063;
B65D 25/2802; B65D 25/2882
See application file for complete search history.

(56) **References Cited**

U.S. PATENT DOCUMENTS

D287,563 S *	1/1987	Kelly	D7/395
D419,031 S *	1/2000	Geelen	D7/395
D443,175 S *	6/2001	Coudurier	D7/395
D461,095 S *	8/2002	Coudurier	D7/395
D490,270 S *	5/2004	Pippel	D7/395
D514,378 S *	2/2006	Magnouloux	D7/395
D575,984 S *	9/2008	Coppi	D7/395

(Continued)

OTHER PUBLICATIONS

IN Registration No. 338454-001-0001, Fry Pan Handle, Dart Industries Inc, publication date Apr. 9, 2021, [retrieved on Feb. 28, 2022], Retrieved from the Internet via Orbit.*

Primary Examiner — Nicole C Shiflet
(74) *Attorney, Agent, or Firm* — Taylor J. Ross

(57) **CLAIM**

The ornamental design for a fry pan handle, as shown and described.

DESCRIPTION

FIG. 1 is a top, rear and right side isometric view of a fry pan handle showing my new design, the fry pan shown in broken lines;

FIG. 2 is a bottom, front and left side isometric view thereof;

FIG. 3 is a top plan view thereof;

FIG. 4 is a bottom plan view thereof;

FIG. 5 is a rear elevation view thereof;

FIG. 6 is a front elevation view thereof;

FIG. 7 is a right side elevation view, the left side elevation being a mirror image thereof;

FIG. 8 is a cross-sectional view taken along line 8-8 of FIG. 3;

FIG. 9 is a top, rear and right side isometric view of the fry pan handle shown removed from the fry pan;

FIG. 10 is a bottom, front and right side isometric view thereof;

FIG. 11 is a top plan view thereof;

FIG. 12 is a bottom plan view thereof;

FIG. 13 is a rear elevation view thereof;

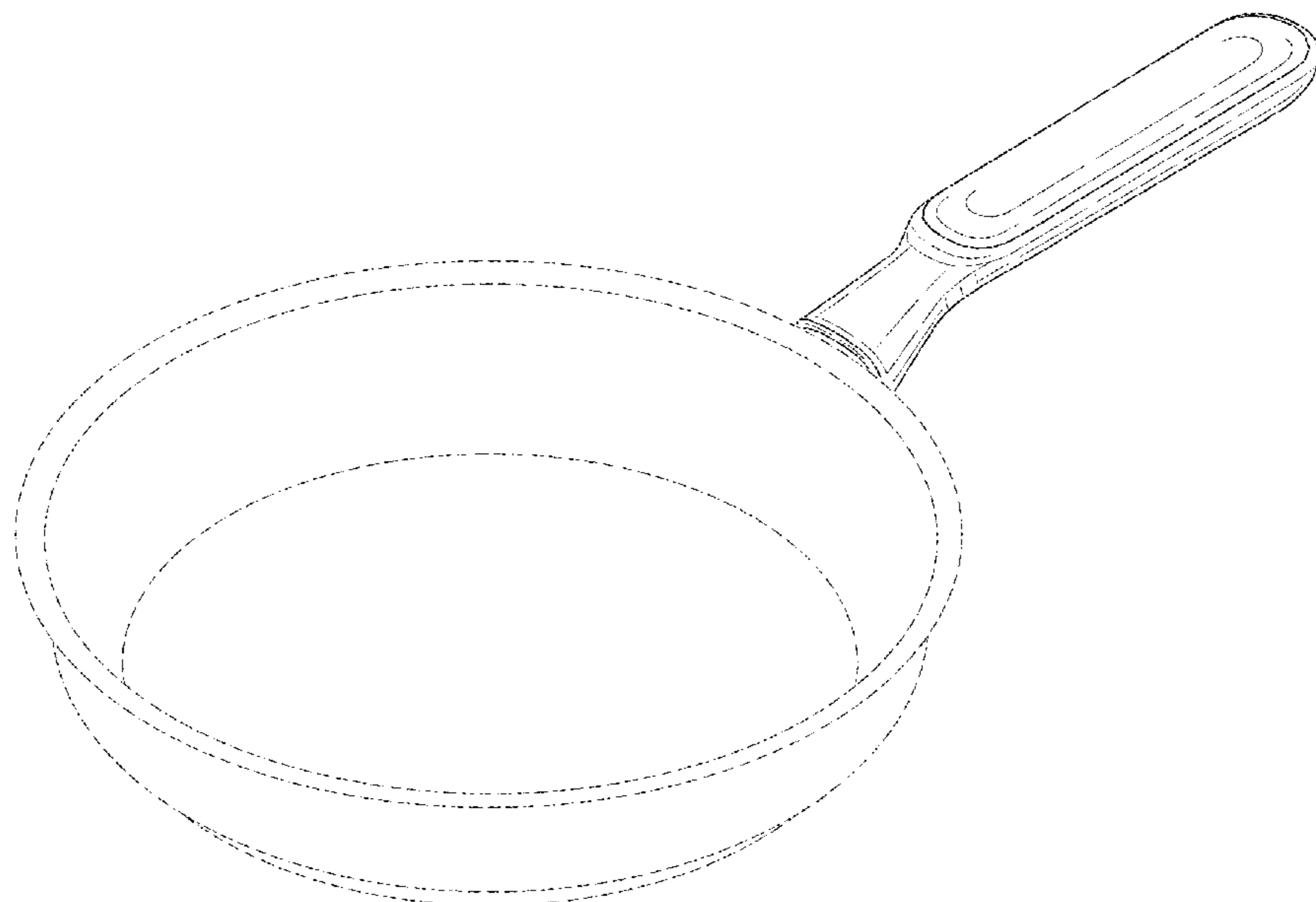
FIG. 14 is a front elevation view thereof;

FIG. 15 is a right side elevation view, the left side elevation being a mirror image thereof; and,

FIG. 16 is a cross-sectional view taken along line 16-16 of FIG. 11.

The broken lines shown in the drawings are included for the purpose of illustrating environmental structure and form no part of the claimed design.

1 Claim, 8 Drawing Sheets



(56)

References Cited

U.S. PATENT DOCUMENTS

D584,104 S *	1/2009	Munari	D7/393
D618,961 S *	7/2010	Chafai	D7/395
D637,037 S *	5/2011	Bergne	D7/395
D731,852 S	6/2015	Palotto et al.		
D828,087 S *	9/2018	Munari	D7/395
D832,034 S *	10/2018	Munari	D7/395
D924,628 S *	7/2021	Munari	D7/395

* cited by examiner

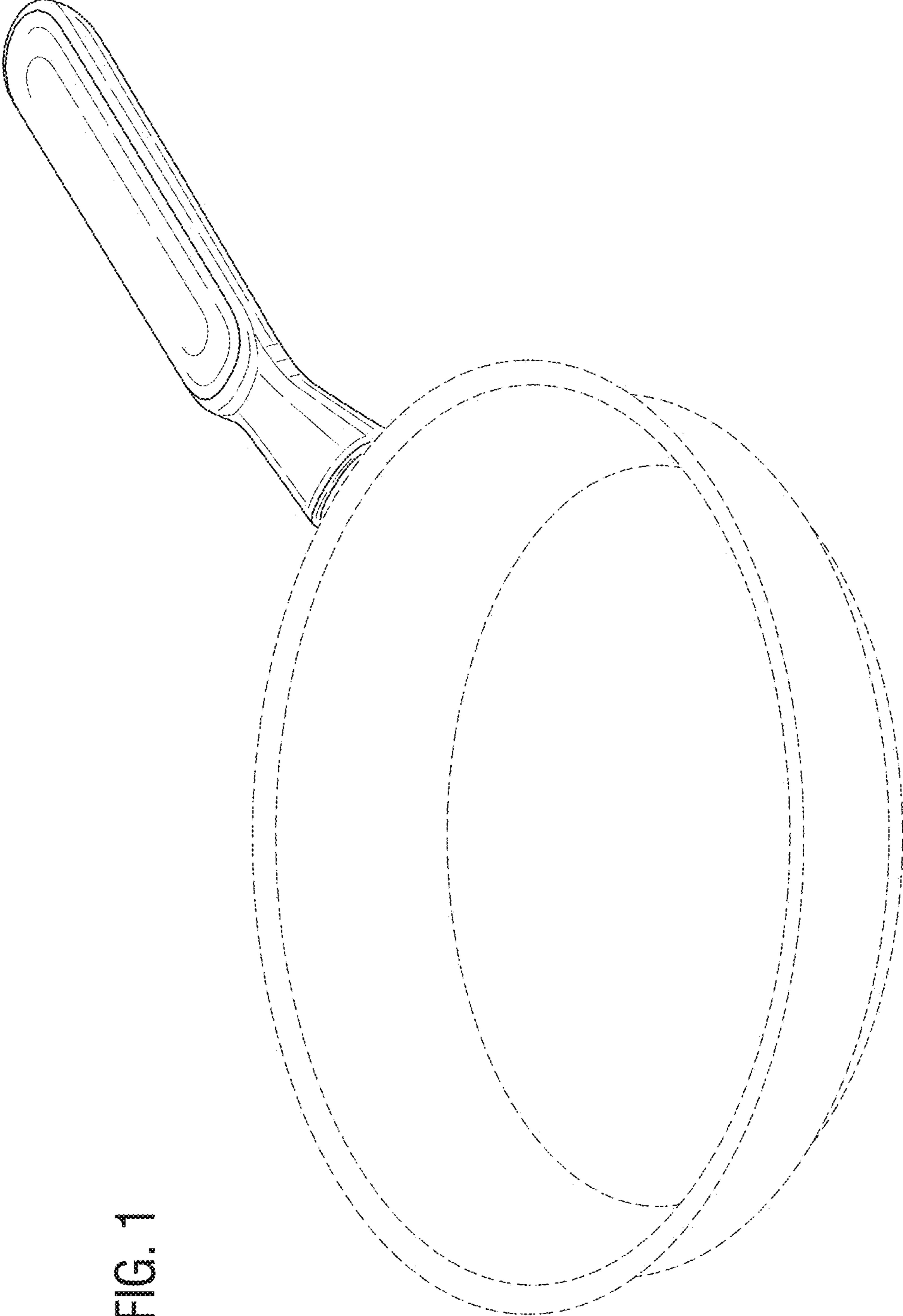


FIG. 1

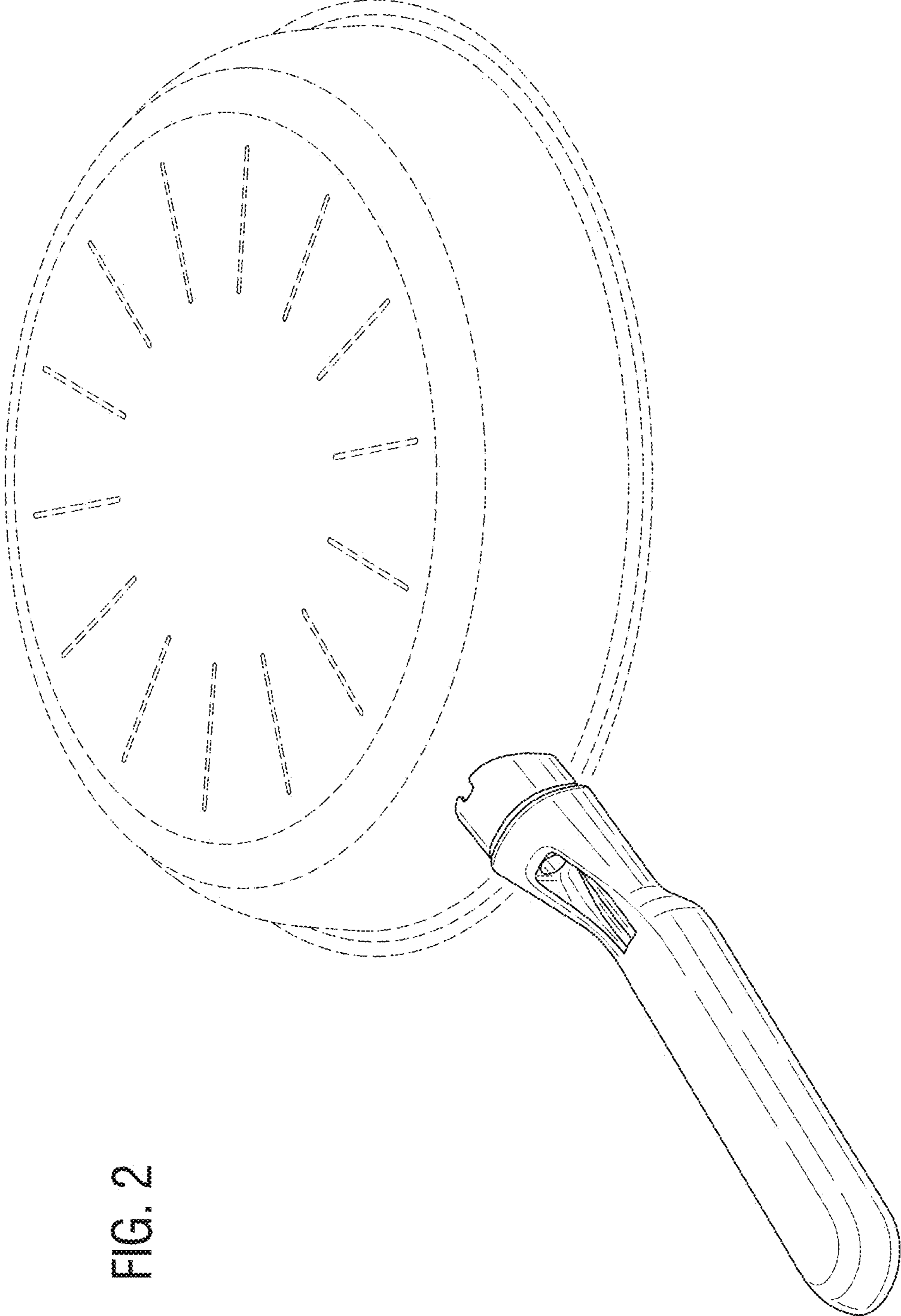


FIG. 2

FIG. 3

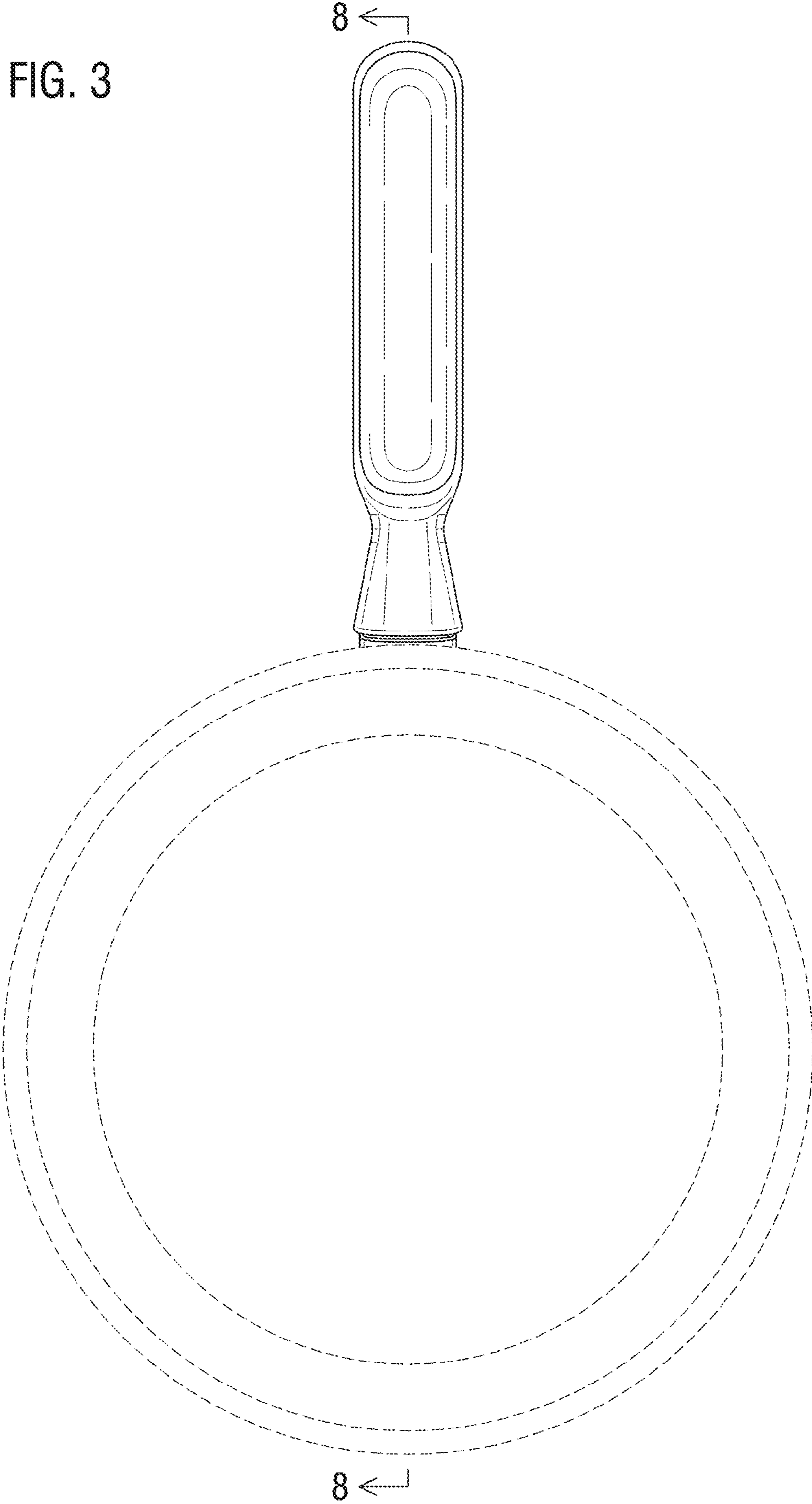


FIG. 4

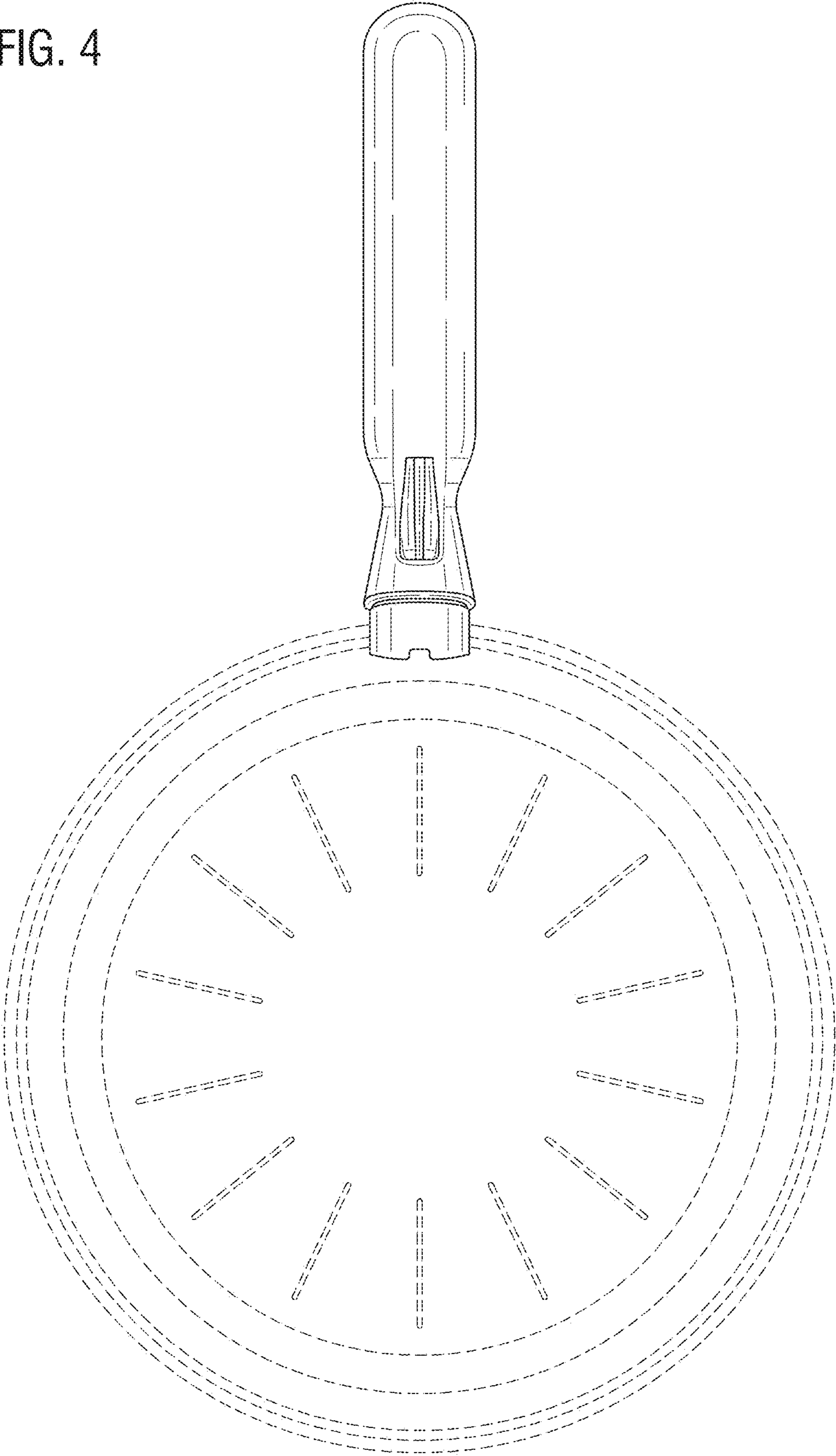


FIG. 5

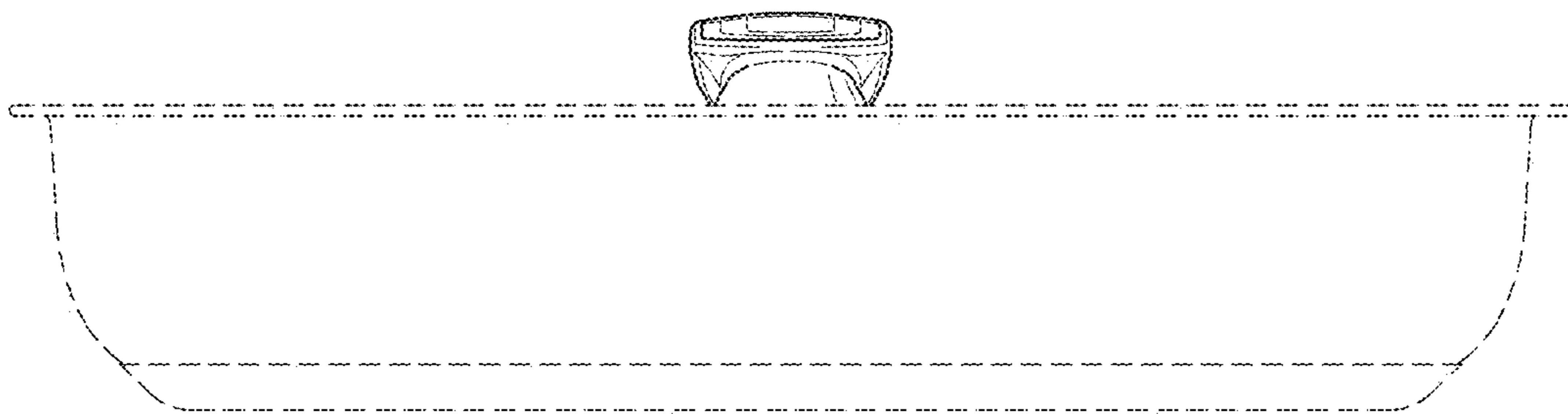
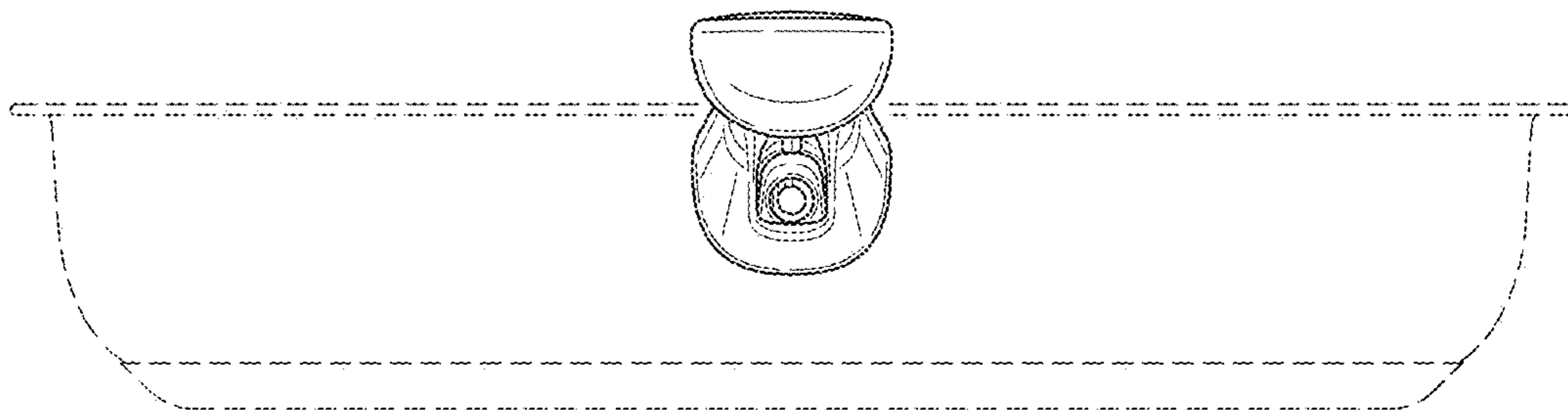


FIG. 6



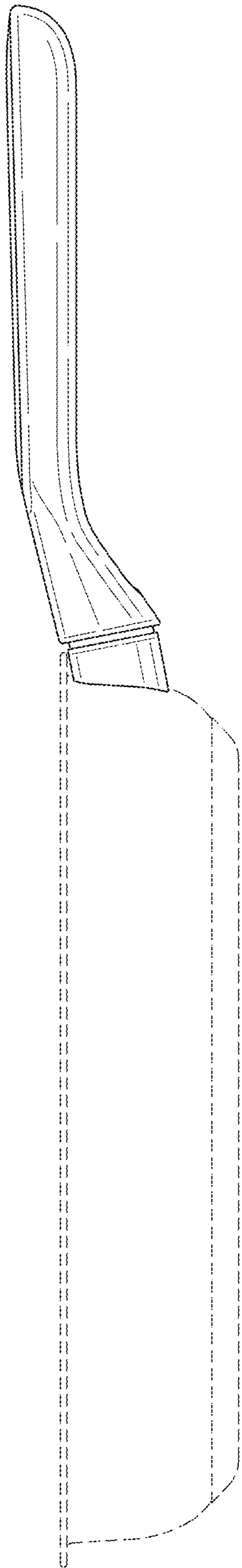


FIG. 7

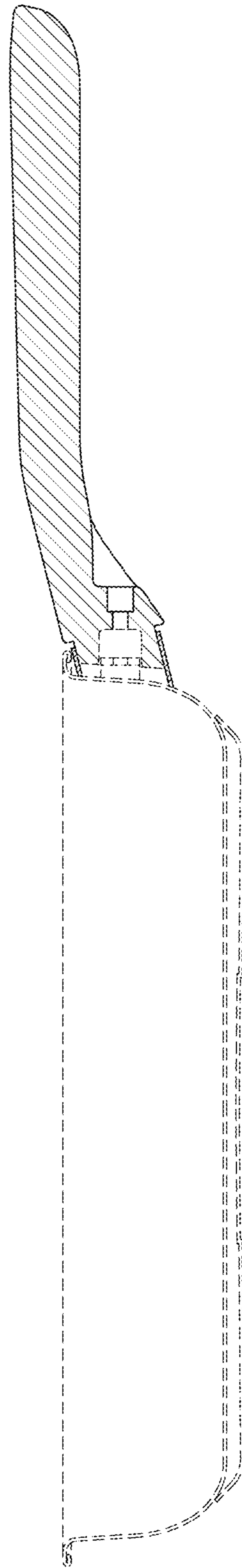


FIG. 8

FIG. 9

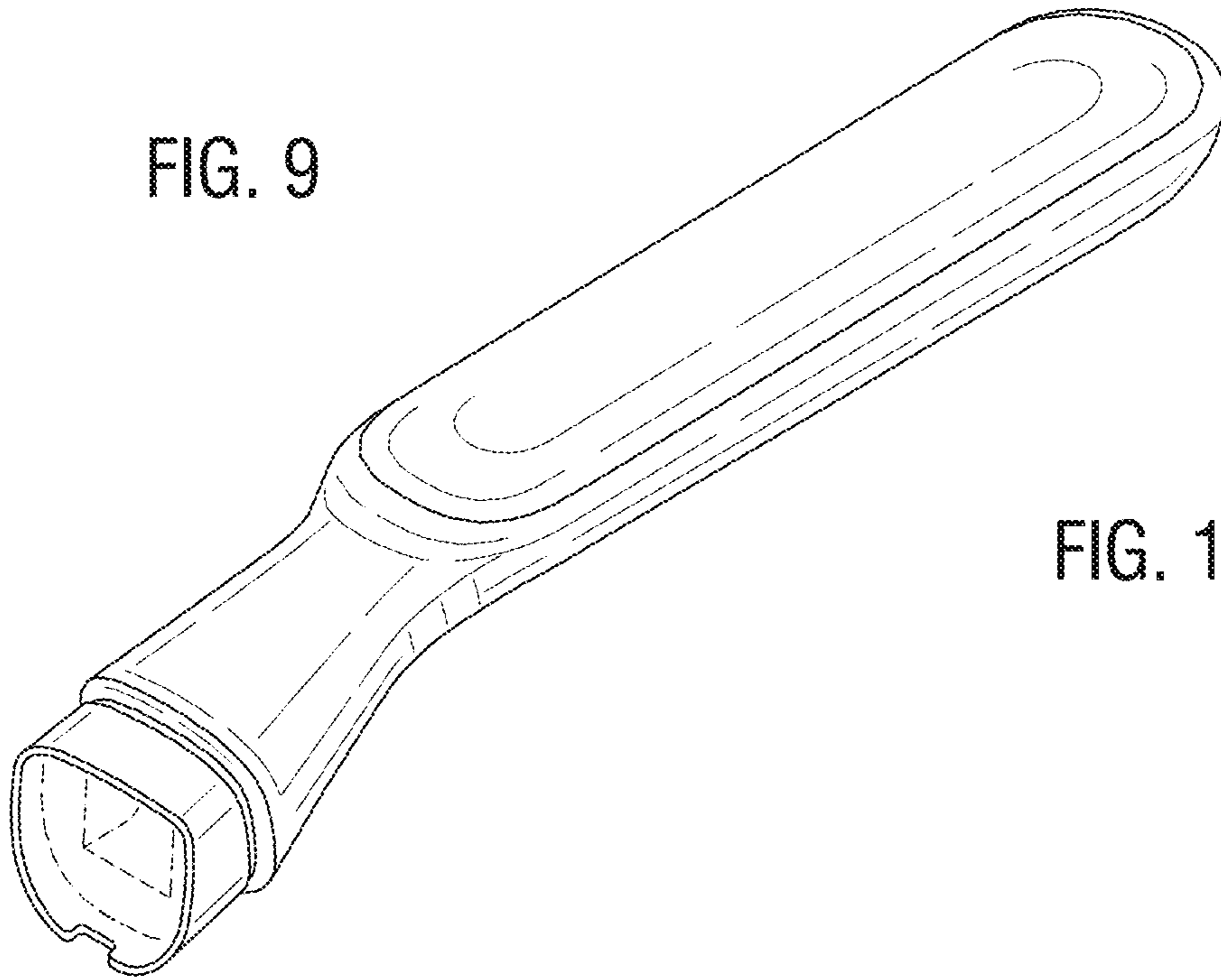


FIG. 11

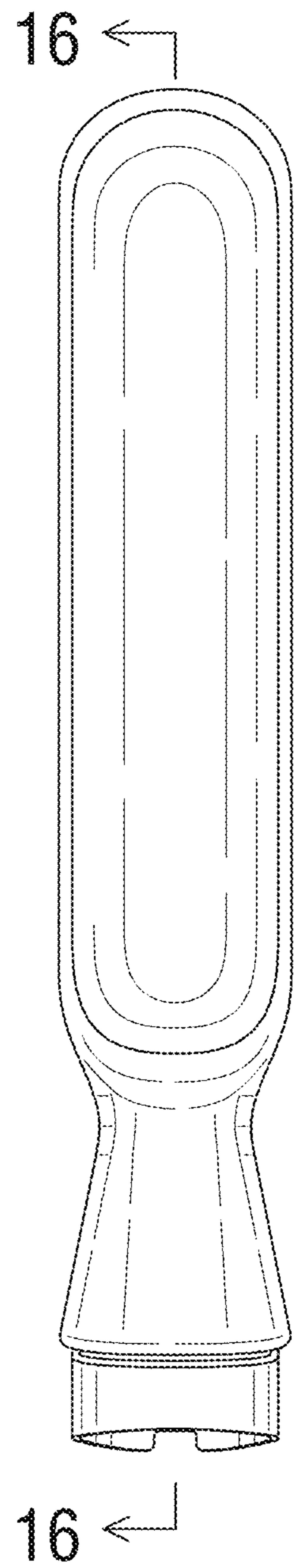


FIG. 10

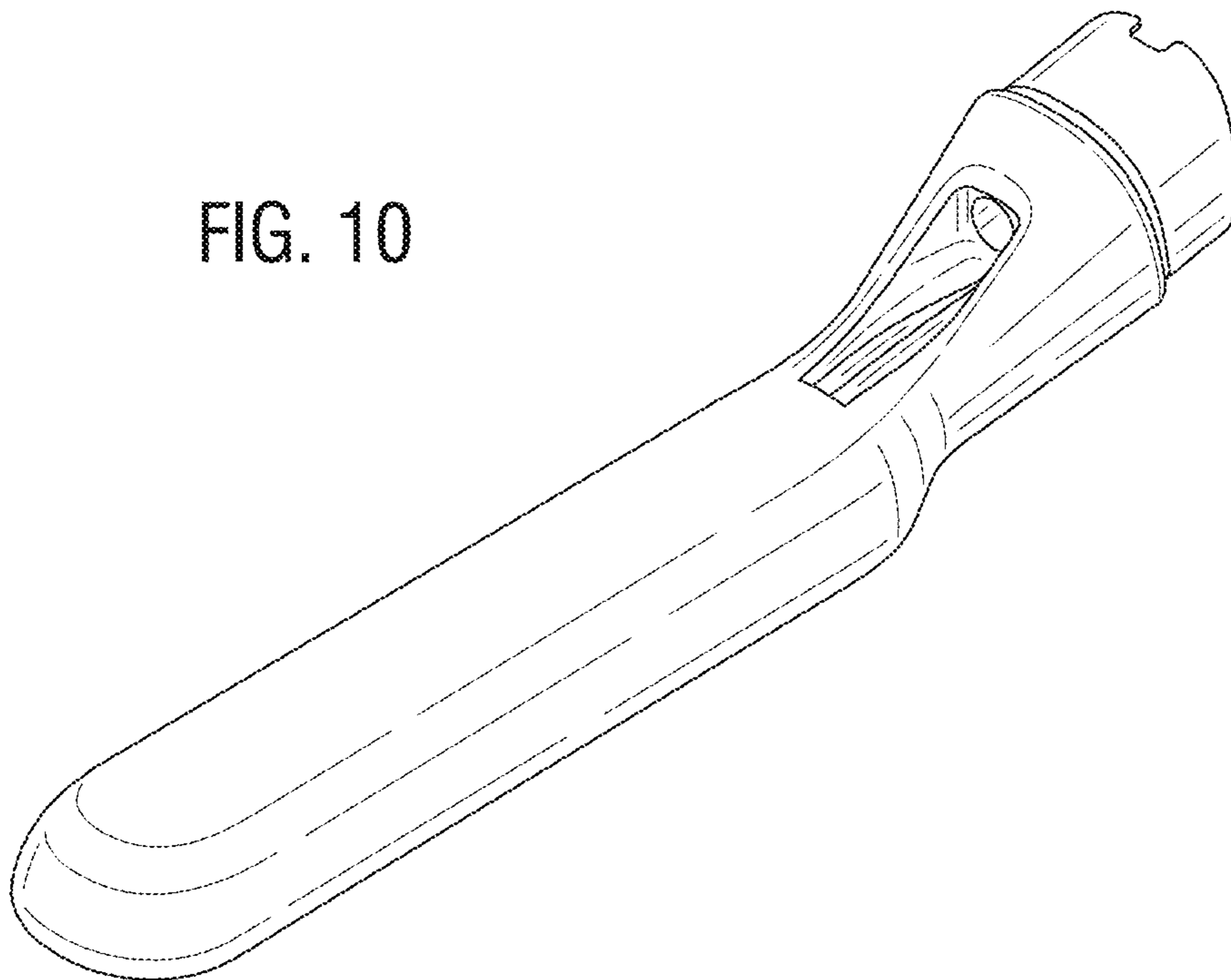


FIG. 12

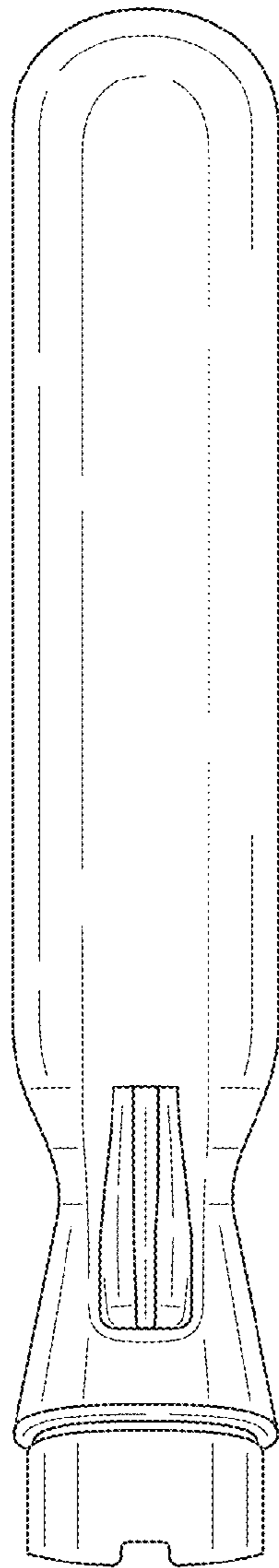


FIG. 13

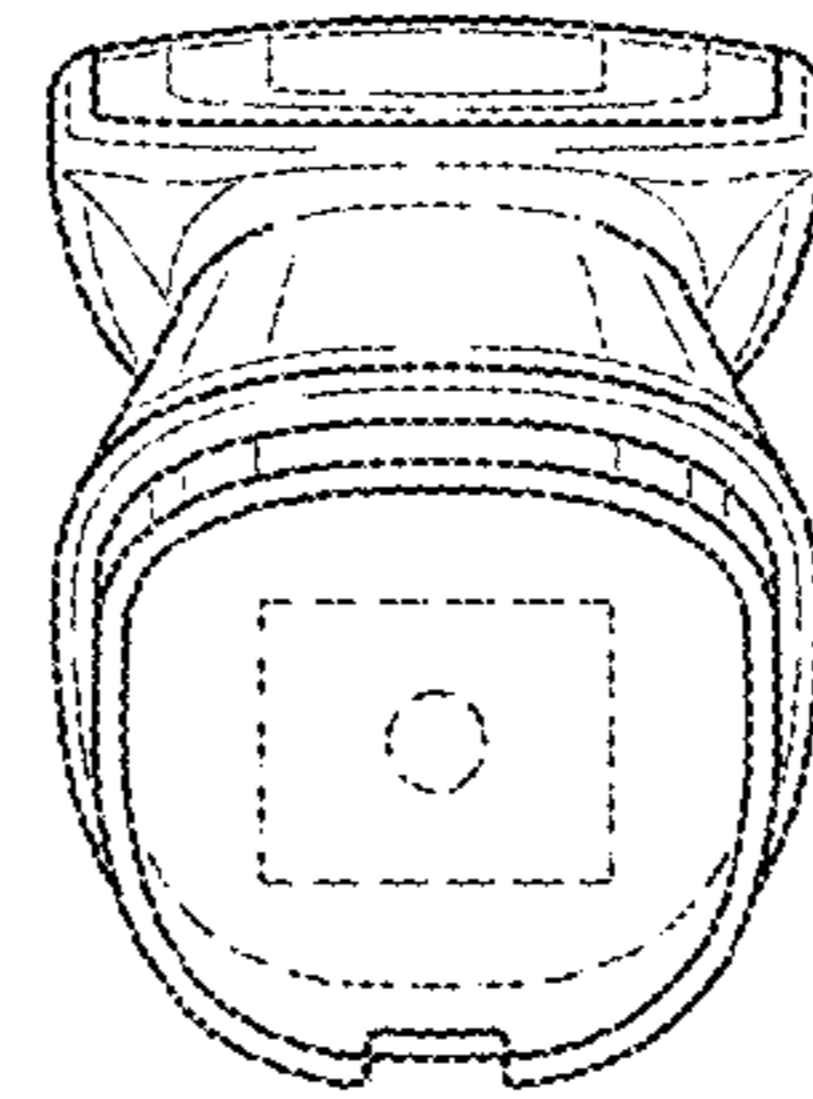


FIG. 14

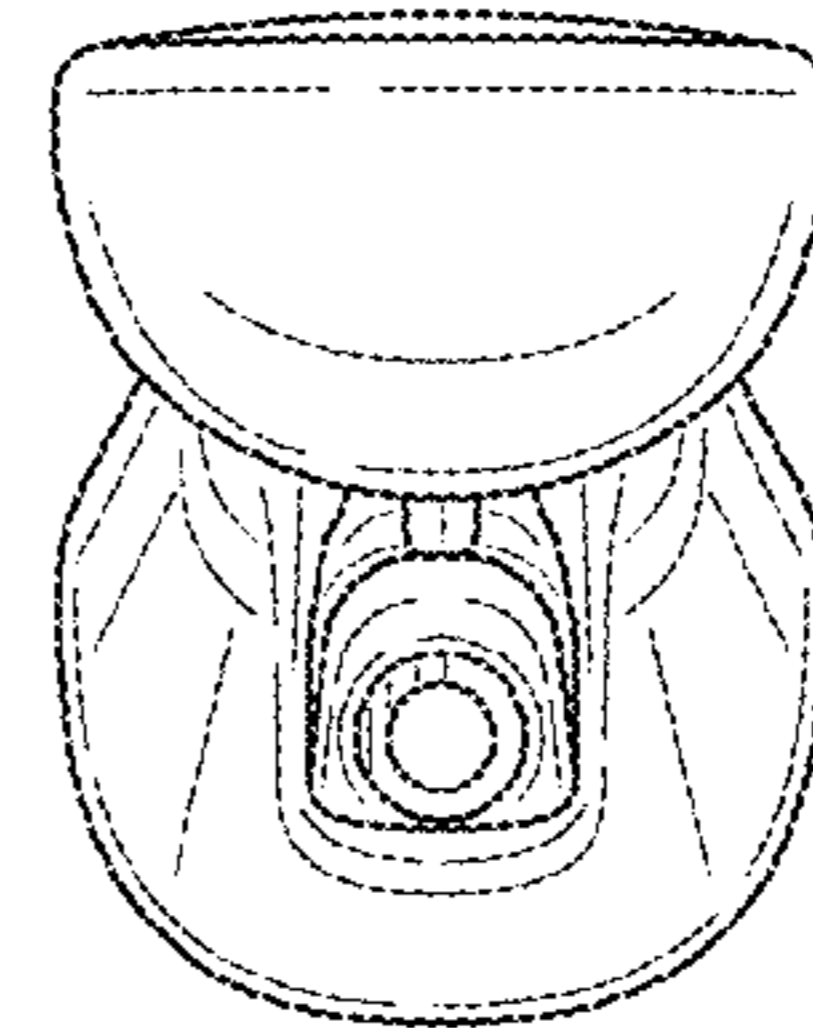


FIG. 15

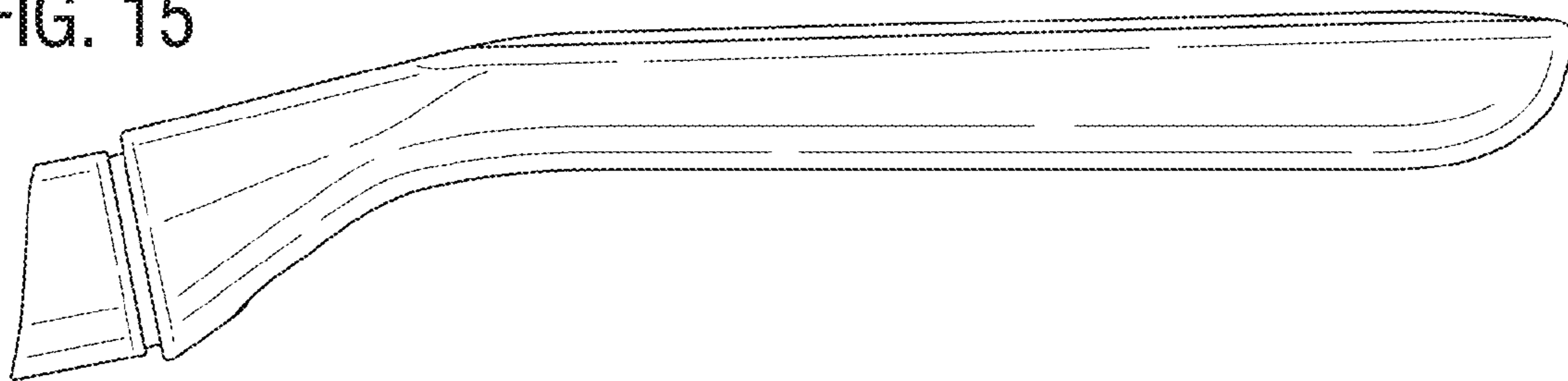


FIG. 16

