

US00D966795S

(12) **United States Design Patent** (10) **Patent No.:** **US D966,795 S**
Zemel et al. (45) **Date of Patent:** **** Oct. 18, 2022**

(54) **UTENSIL HANDLE**
(71) Applicant: **Mr. Bar-B-Q Products LLC**, Melville, NY (US)
(72) Inventors: **Marc Zemel**, Melville, NY (US); **Joanne Rudis**, Melville, NY (US)
(73) Assignee: **MR. BAR-B-Q PRODUCTS LLC**, Hauppauge, NY (US)

D392,104 S 3/1998 Berti
D417,121 S 11/1999 Brunianyn
D427,025 S 6/2000 Lee
D427,858 S 7/2000 Zemel
D428,705 S 8/2000 Larson
(Continued)

FOREIGN PATENT DOCUMENTS

CN 202230276291.2 * 6/2022

(**) Term: **15 Years**

(21) Appl. No.: **29/771,258**

(22) Filed: **Feb. 22, 2021**

(51) **LOC (13) Cl.** **07-03**

(52) **U.S. Cl.**
USPC **D7/393**; D7/401.2

(58) **Field of Classification Search**
USPC D7/393-395, 401.2, 642-652, 693, D7/695-696; D8/93, 97-100, 107, 300, D8/321; D24/133, 146, 147
CPC A01B 1/02; A01B 1/22; A01B 1/20; B23D 51/01; B23D 49/10; B27B 21/04; A01D 7/00; B26B 23/00; B25G 3/30; B25G 1/04; B25G 3/36; B25F 1/02; A22C 25/006; A47G 21/06; A47G 21/065; B21D 53/64

See application file for complete search history.

(56) **References Cited**

U.S. PATENT DOCUMENTS

D146,729 S 4/1947 Storm
D194,374 S 1/1963 Wildgen
D197,637 S 3/1964 Vallis
D203,072 S 11/1965 Centa
D227,622 S 7/1973 Lindbo
D231,283 S 4/1974 Lindbo
D247,075 S 1/1978 Krusche
D269,244 S * 6/1983 Becher D7/650
D344,634 S 3/1994 Berti
5,485,677 A * 1/1996 Seber B26B 3/06
30/294

OTHER PUBLICATIONS

Chef Knife Paudin N1 8 inch Kitchen Knife, German High Carbon Stainless Steel Sharp Knife, Professional Meat Knife with Ergonomic Handle and Gift Box for Family & Restaurant. Online, published date Apr. 11, 2018. Retrieved on Jul. 7, 2022 from URL: https://www.amazon.com/Chef-Knife-Stainless-Ergonomic-Restaurant/dp/B07.*

Primary Examiner — Shannon W Morgan
Assistant Examiner — Royner Mendoza
(74) *Attorney, Agent, or Firm* — Carter, Deluca & Farrell LLP

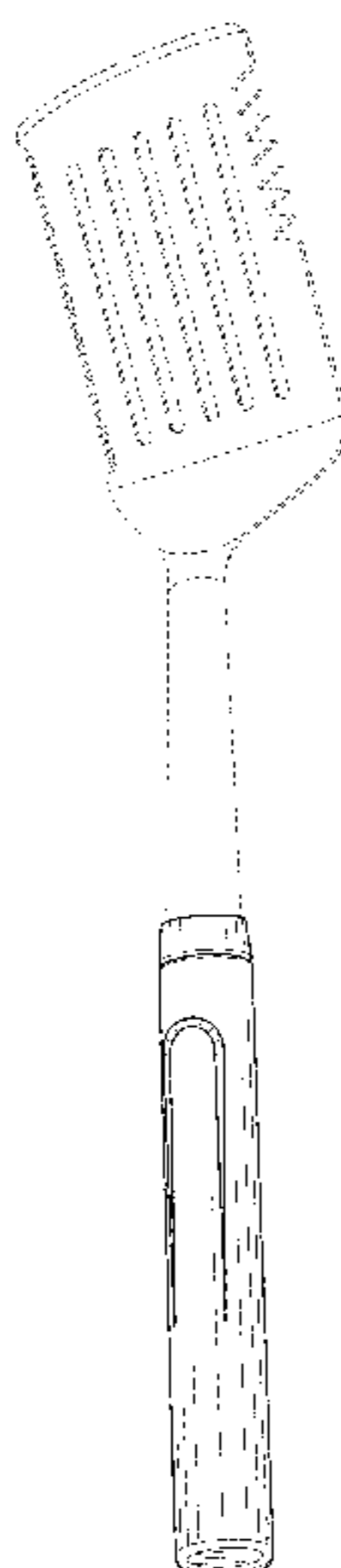
(57) **CLAIM**

The ornamental design for a utensil handle, as shown and described.

DESCRIPTION

FIG. 1 is a top, right and rear perspective view of a utensil handle in accordance with the present design; FIG. 2 is a top plan view thereof; FIG. 3 is a bottom plan view thereof; FIG. 4 is a left side elevational view thereof; FIG. 5 is a right side elevational view thereof; FIG. 6 is a front elevational view thereof; and, FIG. 7 is a rear elevational view thereof. The broken lines shown in the drawings illustrate portions of a utensil handle that form no part of the claimed design.

1 Claim, 4 Drawing Sheets



(56)

References Cited

U.S. PATENT DOCUMENTS

D431,753 S	10/2000	Cohen et al.	
D431,960 S	10/2000	Hay	
D442,026 S	5/2001	Rae	
D445,313 S *	7/2001	Jorge	D7/649
D445,654 S	7/2001	Yu	
D448,265 S *	9/2001	Chen	D8/80
D448,973 S	10/2001	Hay et al.	
D456,207 S	4/2002	Zemel	
D456,615 S	5/2002	Zemel	
D456,667 S	5/2002	Veltri et al.	
D463,720 S	10/2002	Rorke	
D463,952 S	10/2002	Zemel	
D465,336 S	11/2002	Zemel	
D473,430 S *	4/2003	Fedor	D7/649
D474,644 S	5/2003	Zemel	
D476,525 S	7/2003	Zemel	
D481,906 S	11/2003	Knor	
D482,566 S	11/2003	Zemel	
D482,569 S	11/2003	Zemel	
D491,413 S	6/2004	Rosenthal	
D492,543 S	7/2004	Munari	
D494,006 S	8/2004	Zemel	
D494,807 S	8/2004	Zemel	
D496,558 S	9/2004	Zemel	
D503,071 S	3/2005	Lu	
D511,082 S *	11/2005	Chen	D8/80
D528,857 S	9/2006	Zemel	
D529,333 S	10/2006	Zemel	
D529,335 S	10/2006	Zemel	
D531,853 S	11/2006	Zemel	
D533,397 S	12/2006	Zemel	
D534,001 S	12/2006	Zemel	
D535,147 S	1/2007	Zemel	
D535,519 S	1/2007	Zemel	
7,162,802 B2	1/2007	Benardeau	
D539,083 S *	3/2007	Molayem	D7/393
D544,750 S	6/2007	Zemel	
D545,120 S	6/2007	Zemel	
D545,121 S	6/2007	Zemel	
D550,504 S	9/2007	Zemel	
D562,062 S	2/2008	Zemel	
D562,064 S	2/2008	Zemel	
D563,675 S	3/2008	Zemel	
D564,292 S	3/2008	Zemel	
D566,460 S	4/2008	Zemel	
D569,174 S	5/2008	Zemel	
D572,079 S	7/2008	Zemel	
D572,080 S	7/2008	Zemel	
D574,184 S	8/2008	Zemel	
D578,826 S	10/2008	Lu	
D579,269 S	10/2008	Zemel	
D579,668 S	11/2008	Zemel	
D580,659 S	11/2008	Zemel	
D588,868 S	3/2009	Zemel	
D618,499 S	6/2010	Zemel	
D622,542 S	8/2010	Zemel	
D629,650 S	12/2010	Funka, Jr. et al.	
D631,289 S	1/2011	Tuli	
D649,411 S *	11/2011	Lo	D7/649
D658,433 S	5/2012	Zemel	
D658,937 S	5/2012	Zemel	
D660,096 S *	5/2012	Chen	D7/649
D660,098 S *	5/2012	Chen	D7/649
D660,141 S	5/2012	Zemel	
D663,159 S	7/2012	Zemel	
D690,153 S	9/2013	Zemel	
D702,996 S	4/2014	Zemel et al.	
D737,626 S	9/2015	Lu	
D752,919 S *	4/2016	Chen	D7/649
D773,242 S	12/2016	Zemel et al.	
D825,261 S *	8/2018	Bae	D7/649
D825,262 S *	8/2018	Bae	D7/649
D832,648 S	11/2018	Zemel	
D833,216 S	11/2018	Zemel	
D881,644 S *	4/2020	Liu	D7/649
10,682,776 B1 *	6/2020	Schmerler	B25G 3/36
D937,048 S *	11/2021	Chen	D7/649
D947,604 S *	4/2022	Feng	D7/649
2003/0226263 A1 *	12/2003	Fedor	B26B 3/00 30/142

* cited by examiner

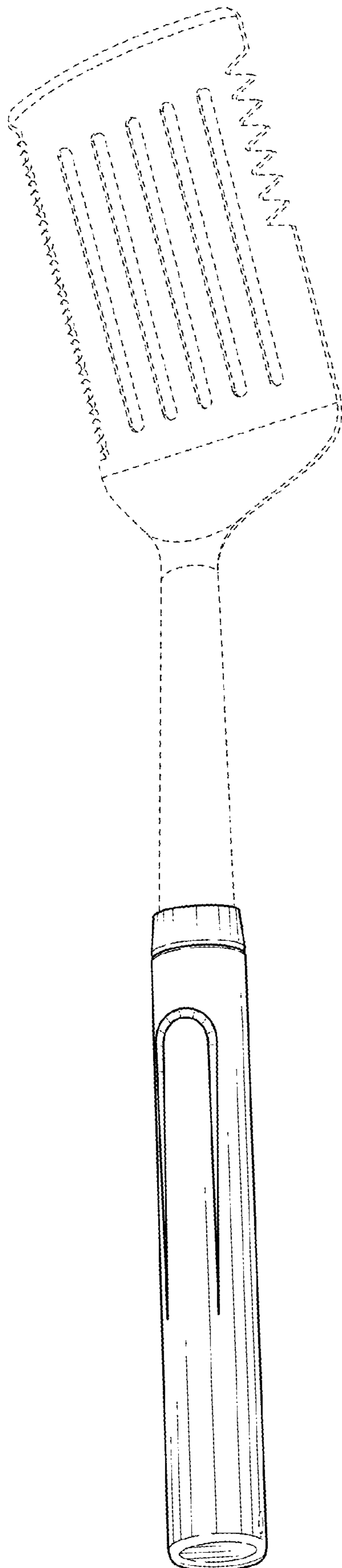


FIG. 1

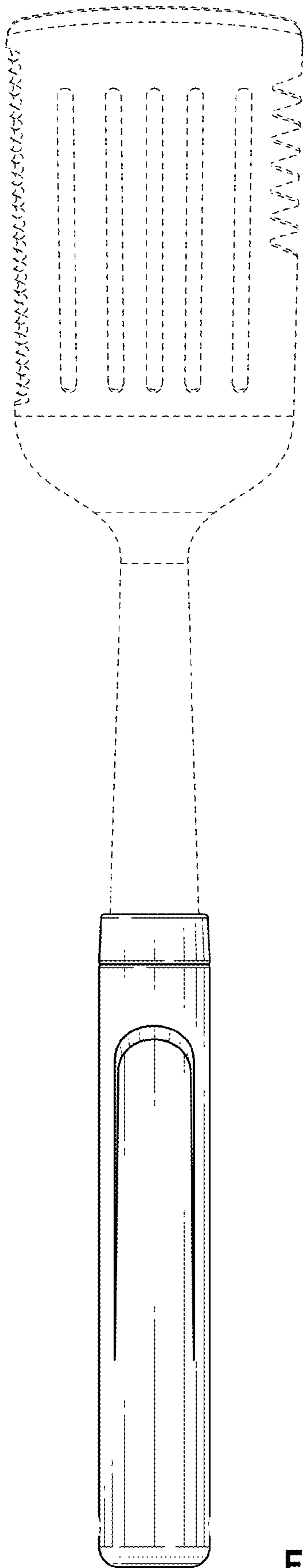


FIG. 2

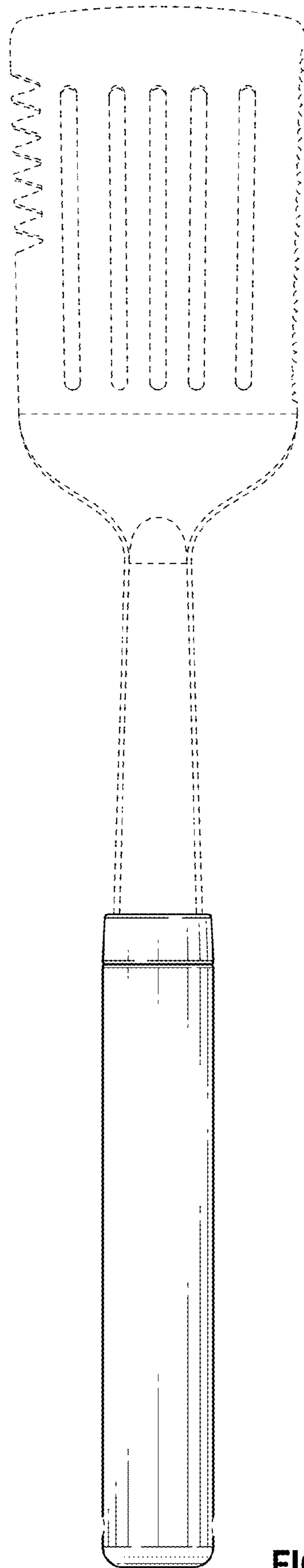


FIG. 3

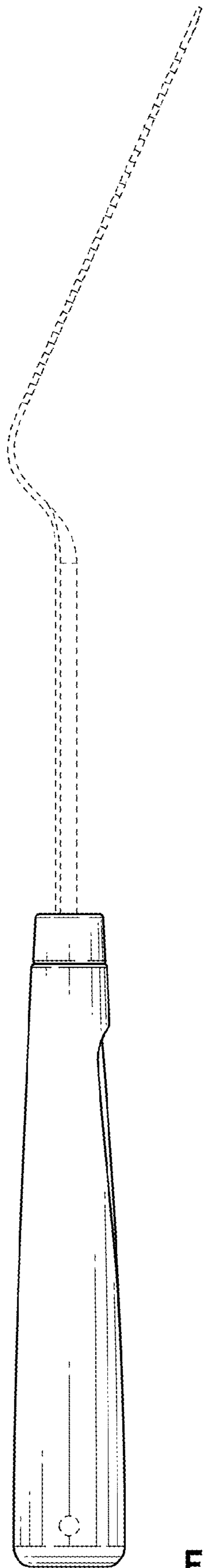


FIG. 4

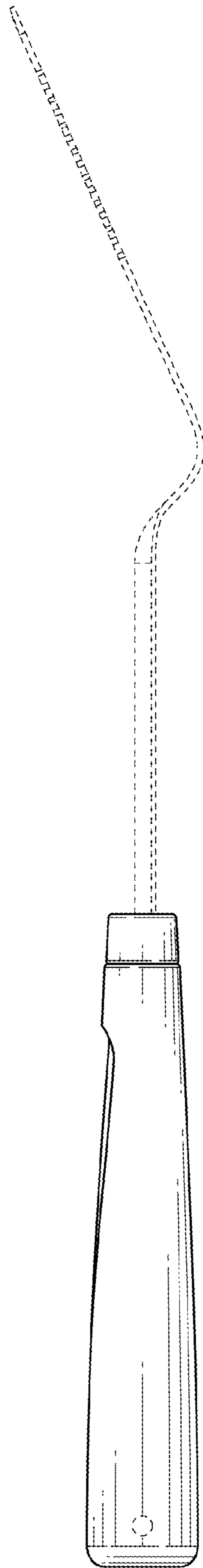


FIG. 5

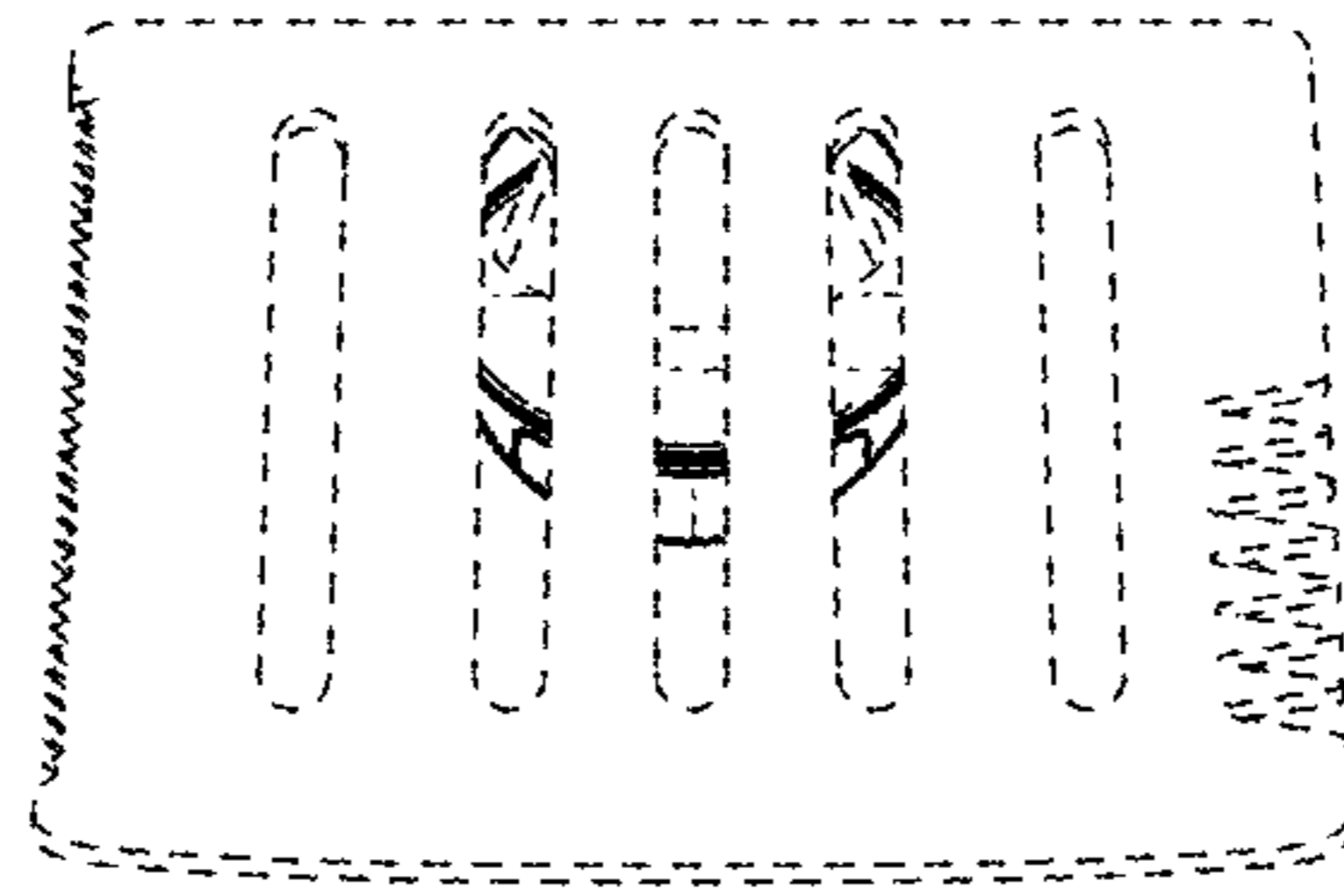


FIG. 6

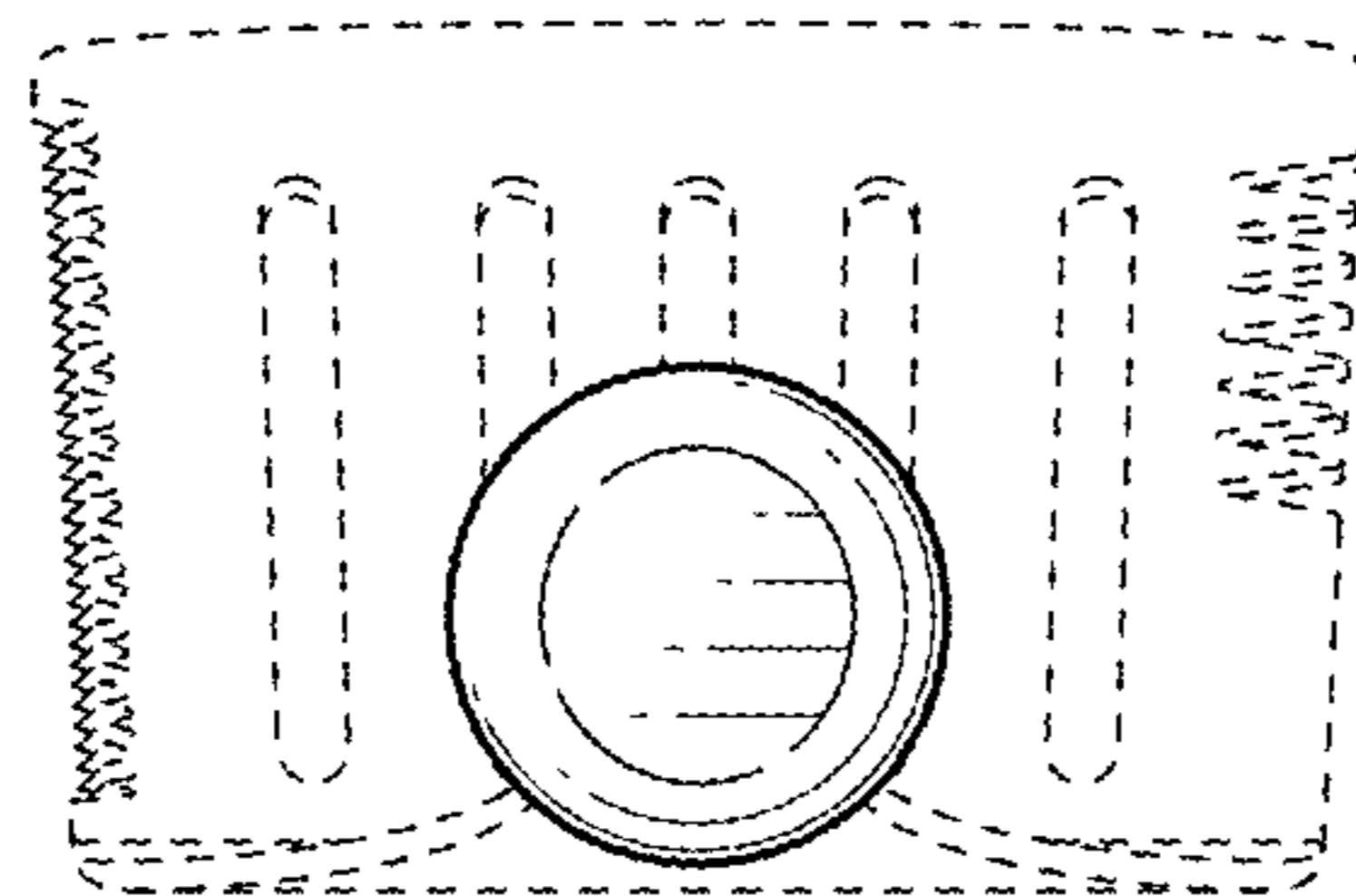


FIG. 7