



US00D966794S

(12) **United States Design Patent** (10) **Patent No.:** **US D966,794 S**
Cornu (45) **Date of Patent:** **** Oct. 18, 2022**

(54) **COOKING LID HANDLE**
(71) Applicant: **Dart Industries Inc.**, Orlando, FL (US)
(72) Inventor: **Judicaël Cornu**, Schaerbeek (BE)
(73) Assignee: **Dart Industries Inc.**, Orlando, FL (US)
(**) Term: **15 Years**

Primary Examiner — Nicole C Shiflet
(74) *Attorney, Agent, or Firm* — Taylor J. Ross

(21) Appl. No.: **29/753,240**
(22) Filed: **Sep. 30, 2020**
(51) **LOC (13) Cl.** **07-02**
(52) **U.S. Cl.**
USPC **D7/393**
(58) **Field of Classification Search**
USPC D7/393-396, 387, 323, 354, 360-361,
D7/402, 533-536, 401.2, 398, 391, 619.1;
D8/300, 303, 307, 313, 321, 315, 317,
D8/320, 310, 312; D12/178; D34/27
CPC A47J 45/071; A47J 45/072; A47J 45/074;
A47J 45/07; A47J 45/00; A47J 45/06;
A47J 45/061; A47J 45/062; A47J 45/063;
B65D 25/2802; B65D 25/2882
See application file for complete search history.

(57) **CLAIM**
The ornamental design for a cooking lid handle, as shown and described.

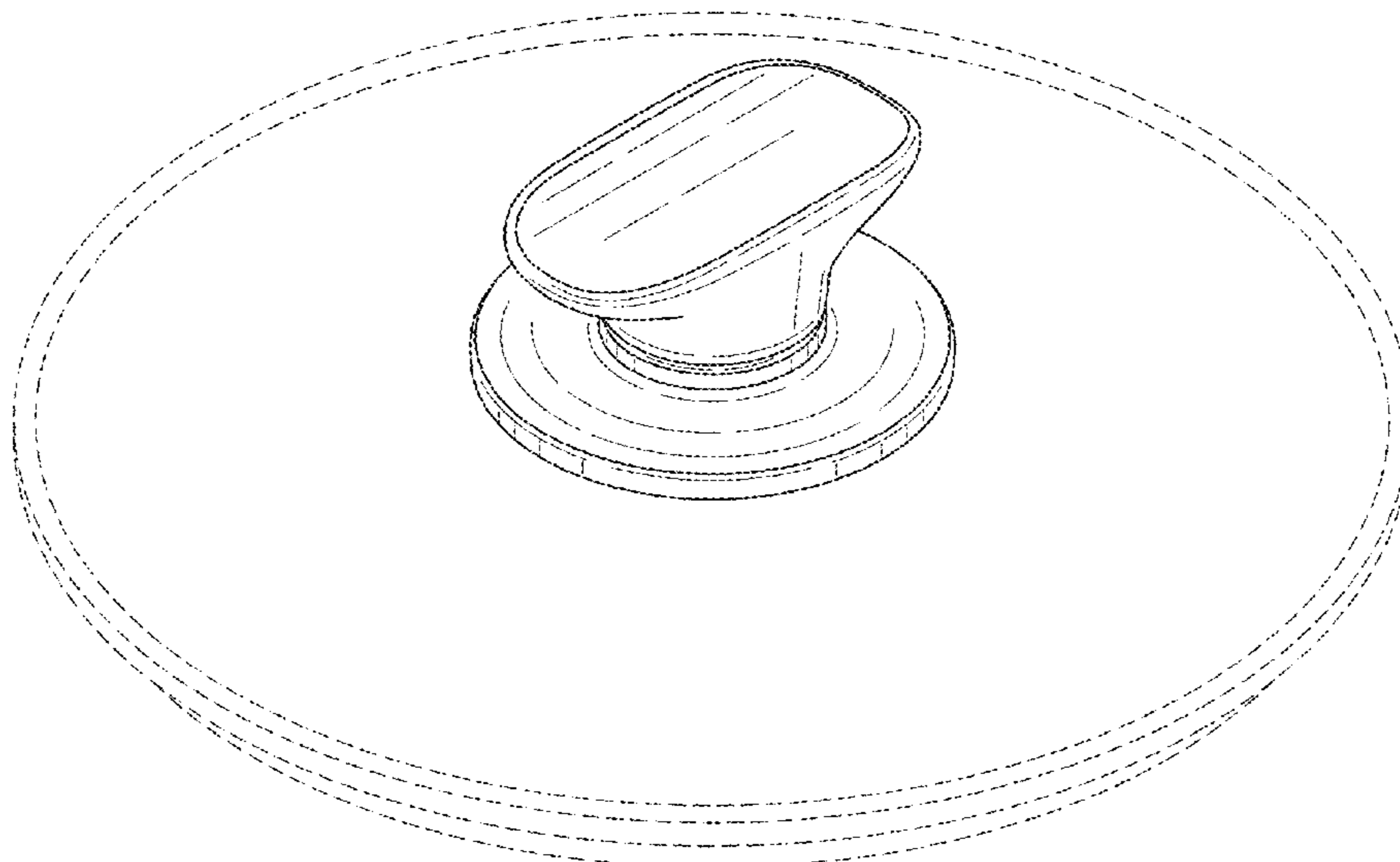
DESCRIPTION

FIG. 1 is a top, front and left side isometric view of a cooking lid handle showing my new design, the lid shown in broken lines;
FIG. 2 is a bottom, rear and left side isometric view thereof;
FIG. 3 is a top plan view thereof;
FIG. 4 is a bottom plan view thereof;
FIG. 5 is a front elevation view, the rear elevation being identical thereto;
FIG. 6 is a right side elevation view, the left side elevation being identical thereto;
FIG. 7 is a cross-sectional view taken along line 7-7 of FIG. 3;
FIG. 8 is a cross-sectional view taken along line 8-8 of FIG. 3;
FIG. 9 is a top, front and left side isometric view of the cooking lid handle shown removed from the lid;
FIG. 10 is a bottom, rear and left side isometric view thereof;
FIG. 11 is a top plan view thereof;
FIG. 12 is a bottom plan view thereof;
FIG. 13 is a front elevation view, the rear elevation being identical thereto;
FIG. 14 is a right side elevation view, the left side elevation being identical thereto;
FIG. 15 is a cross-sectional view taken along line 15-15 of FIG. 11; and,
FIG. 16 is a cross-sectional view taken along line 16-16 of FIG. 11.
The broken lines shown in the drawings are included for the purpose of illustrating environmental structure and form no part of the claimed design.

(56) **References Cited**
U.S. PATENT DOCUMENTS
D465,129 S * 11/2002 Klock D7/393
D506,378 S * 6/2005 Coudurier D8/310
D577,539 S * 9/2008 Cuillery D7/393
D679,546 S * 4/2013 Chen D7/545
(Continued)

OTHER PUBLICATIONS
IN Registration No. 338455-001-0001, Cooking Lid Handle, Dart Industries Inc, publication date Apr. 2, 2021, [retrieved on Feb. 28, 2022], Retrieved from the Internet via Orbit.*
(Continued)

1 Claim, 7 Drawing Sheets



(56)

References Cited

U.S. PATENT DOCUMENTS

D682,019 S *	5/2013	Rae	D7/393
D682,600 S *	5/2013	De Leo	D7/319
D692,271 S *	10/2013	Ludeman	D7/393
D702,991 S *	4/2014	Roussard	D7/354
D713,673 S *	9/2014	Rae	D7/393
D728,993 S *	5/2015	Barberi	D7/393
D731,852 S	6/2015	Pallotto et al.	
D753,962 S *	4/2016	Cornu	D7/665
D801,105 S *	10/2017	Sandberg	D7/354
D872,517 S *	1/2020	Roland	D7/360

OTHER PUBLICATIONS

CN Registration No. 306727395, Pot-cover handle, Dart Industries Inc, publication date Sep. 10, 2021, [retrieved on Feb. 28, 2022], Retrieved from the Internet via Orbit.*

PZRT 2Set Lid Knob Handle Kit, Amazon [online], date first available Jun. 13, 2019, [retrieved on Feb. 28, 2022]. Retrieved from the Internet, URL: <https://www.amazon.com/dp/B07SZ7CS3S/>.*

* cited by examiner

FIG. 1

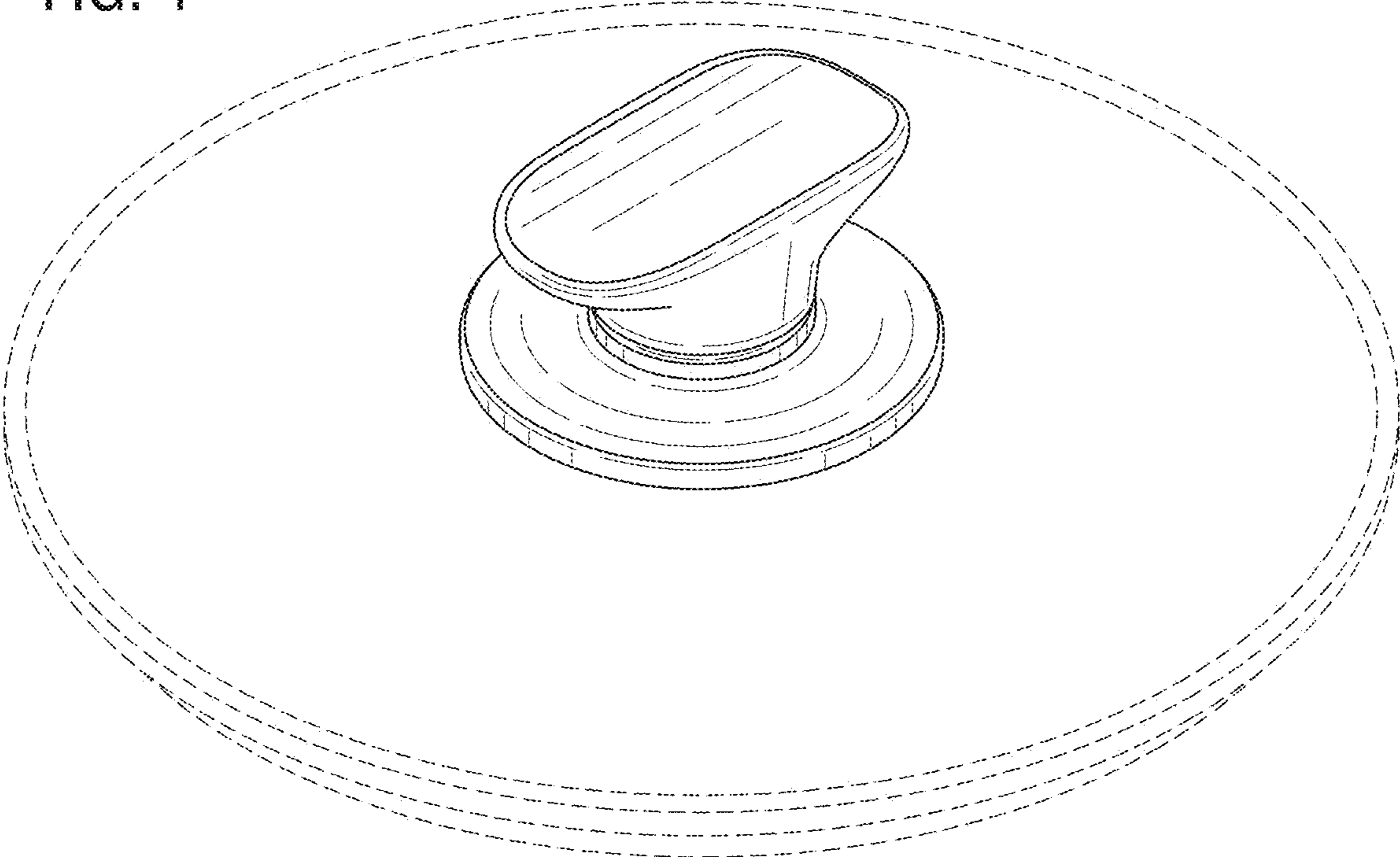


FIG. 2

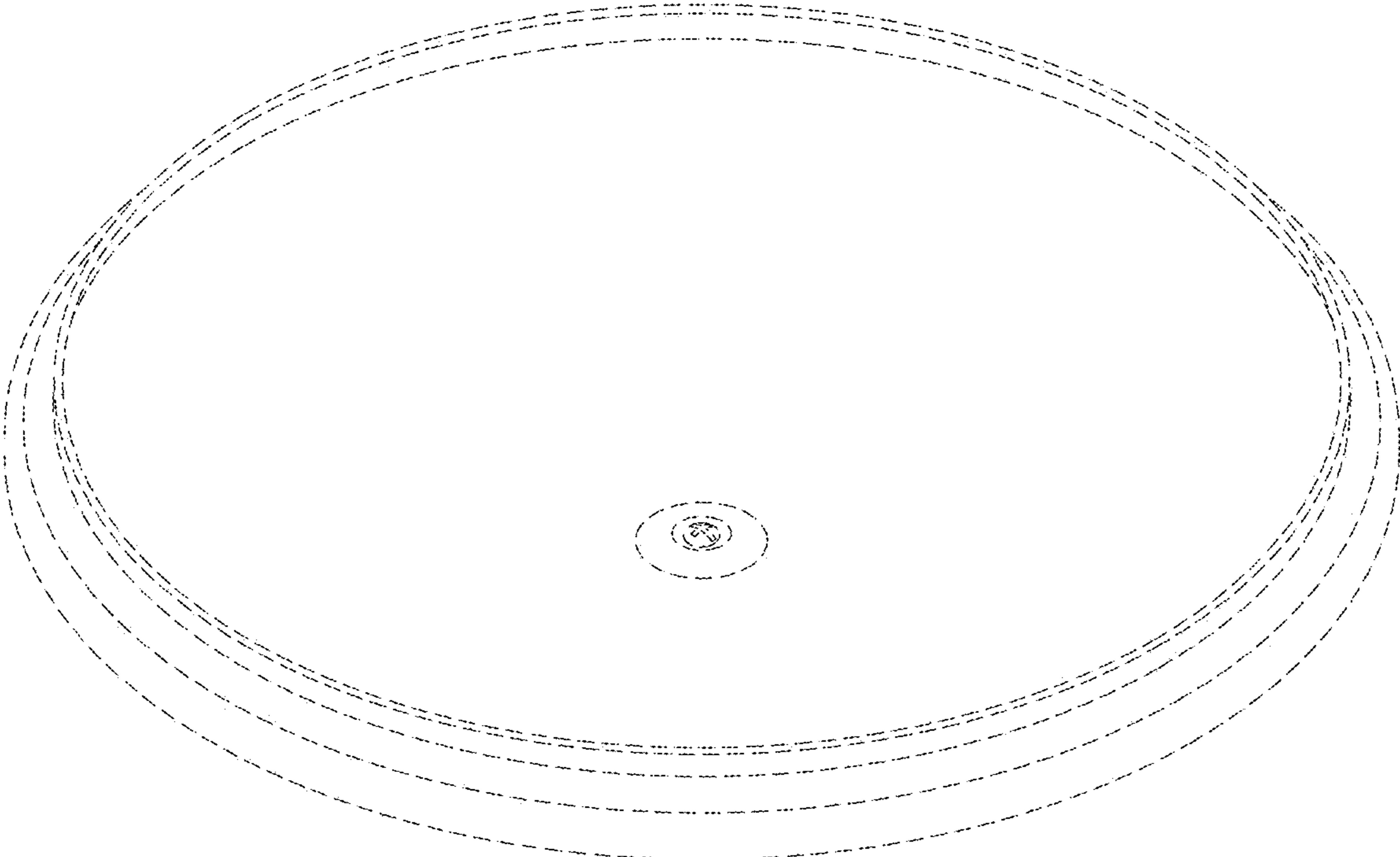


FIG. 3

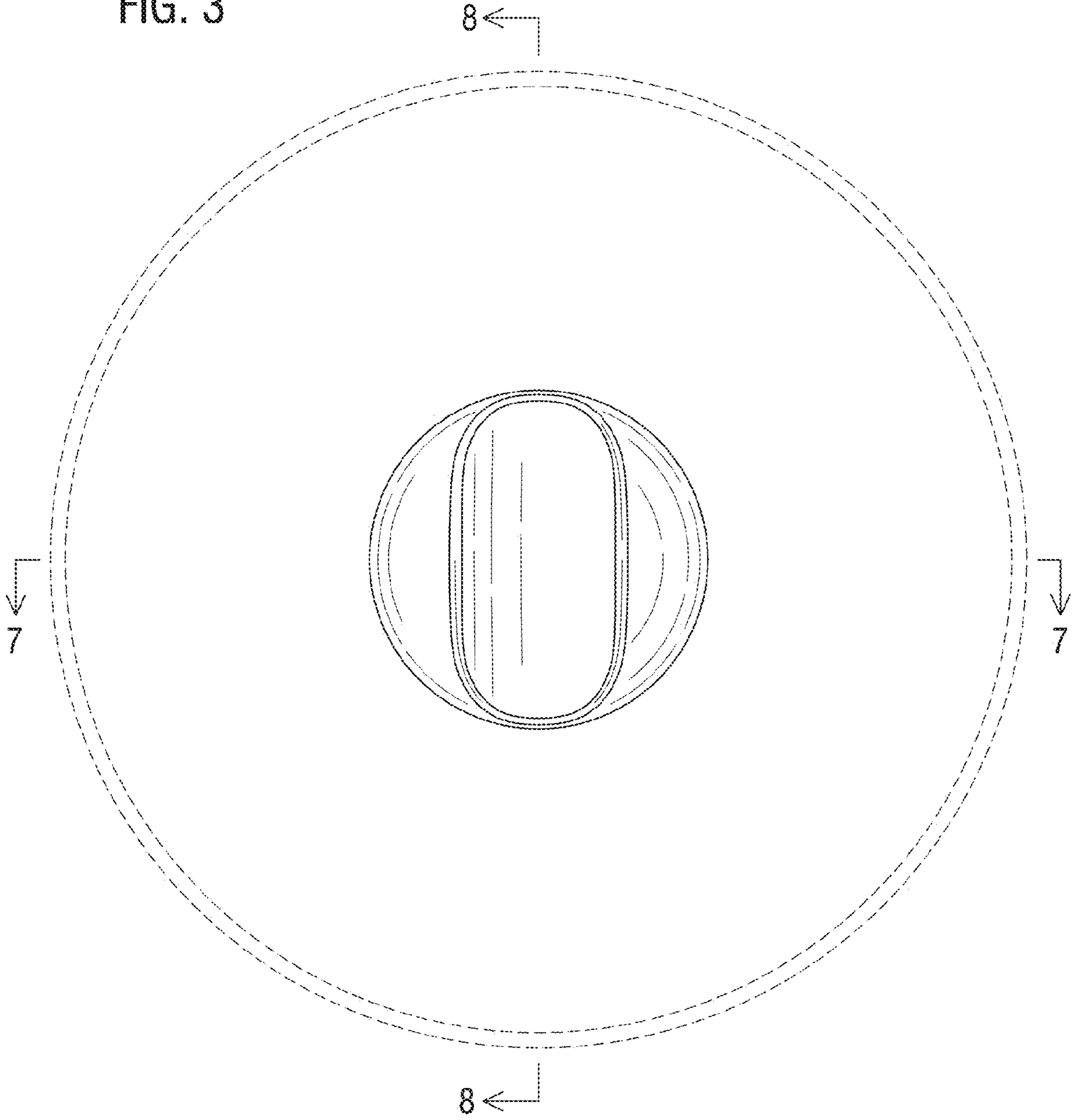


FIG. 4

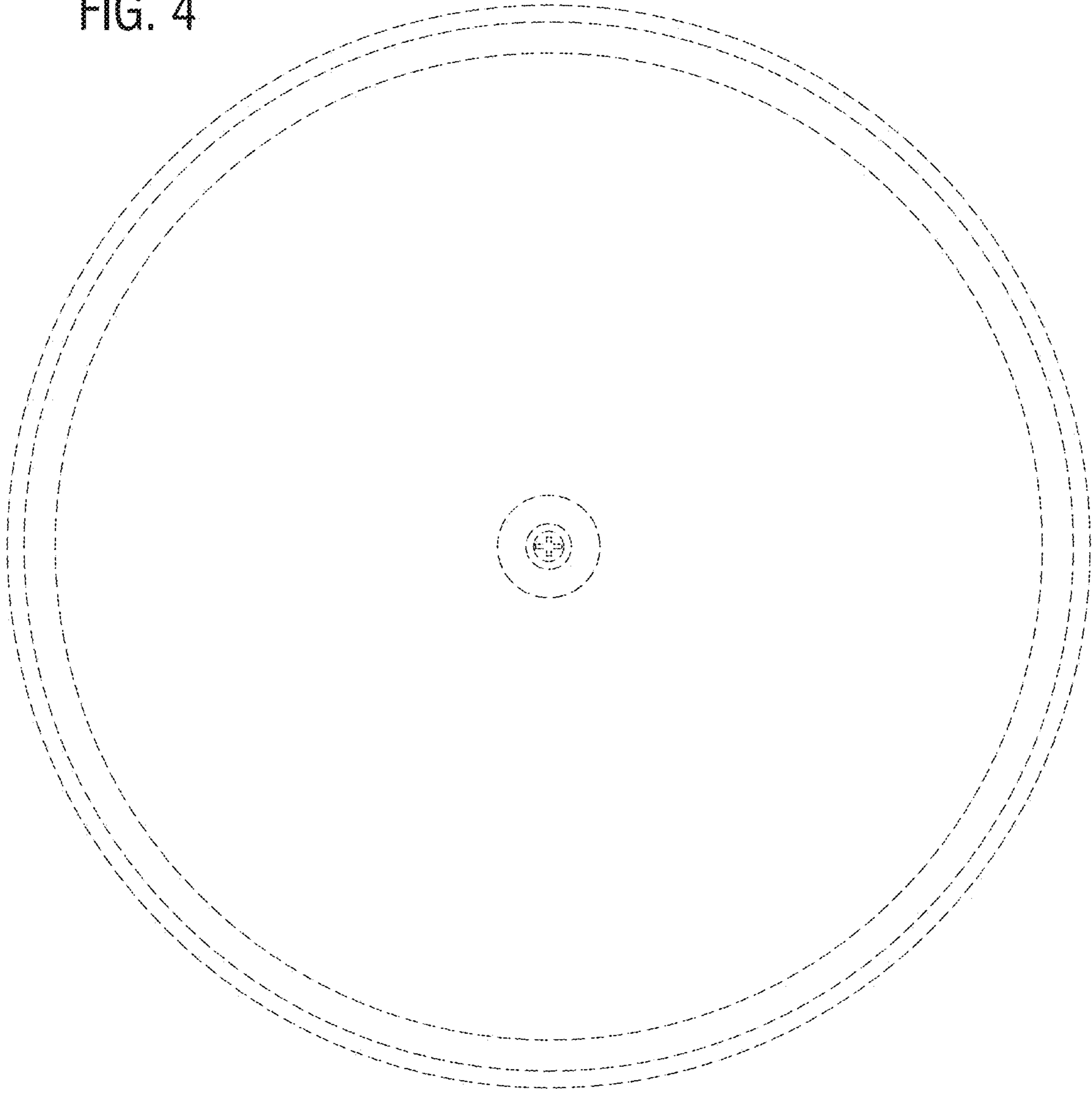


FIG. 5

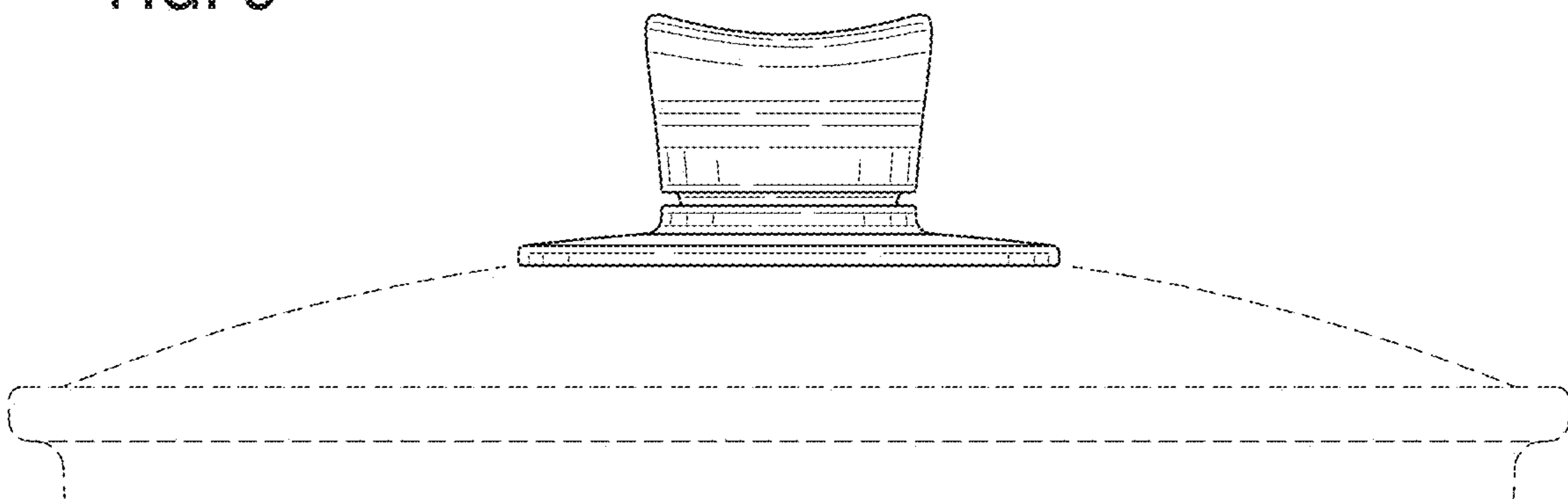


FIG. 6

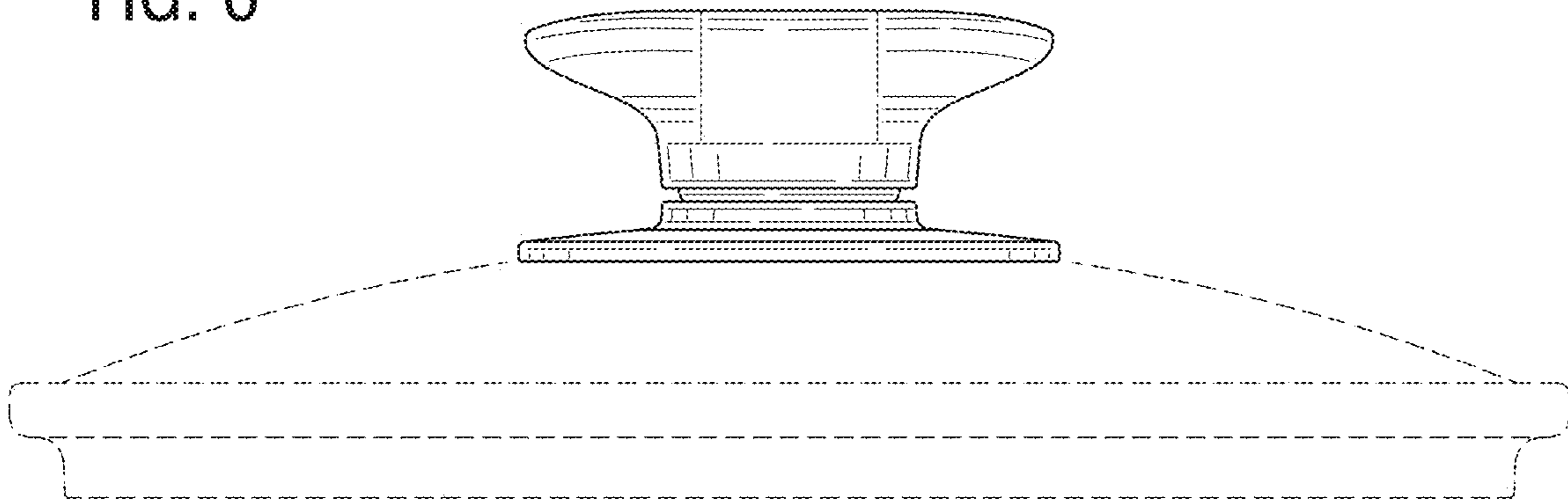


FIG. 7

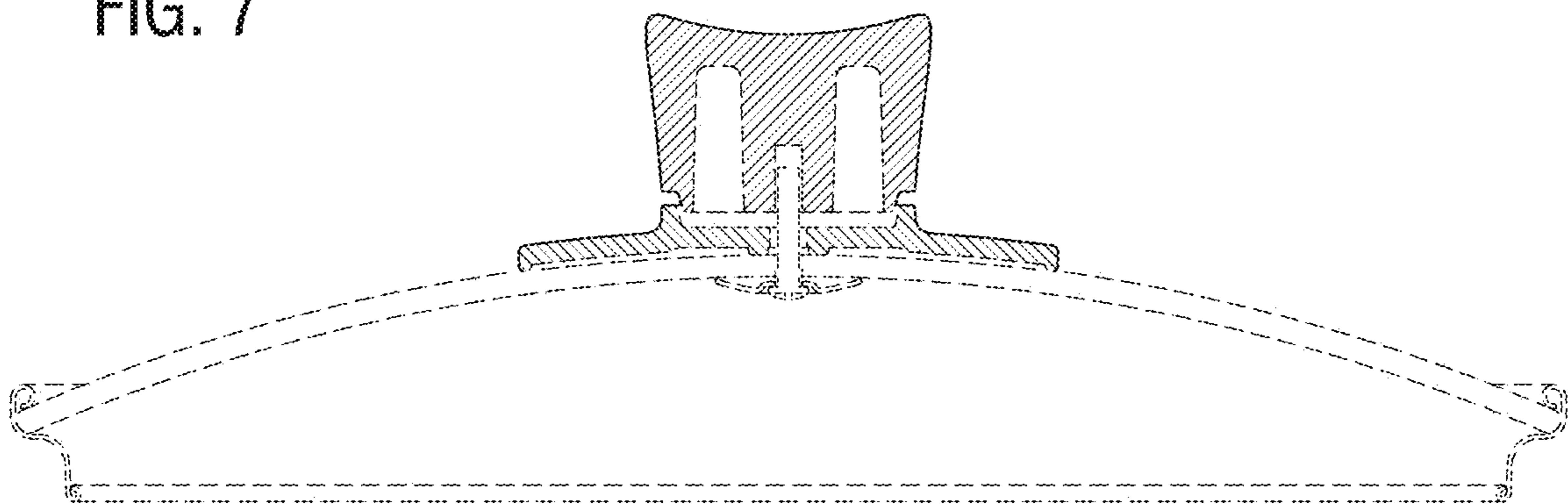


FIG. 8

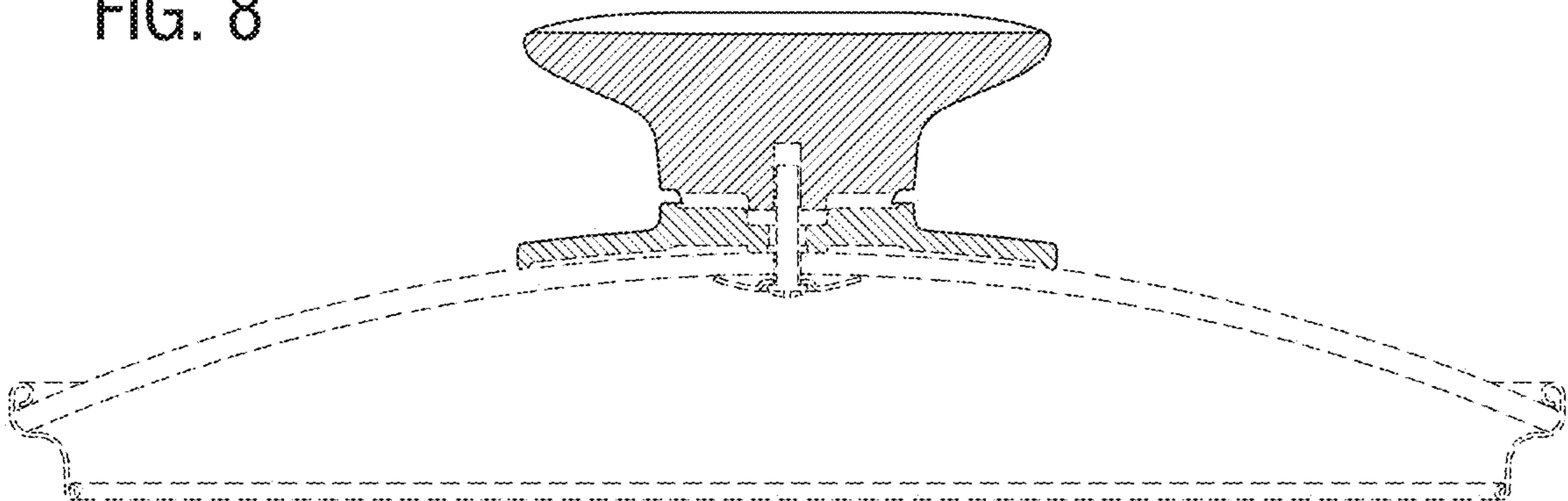


FIG. 9

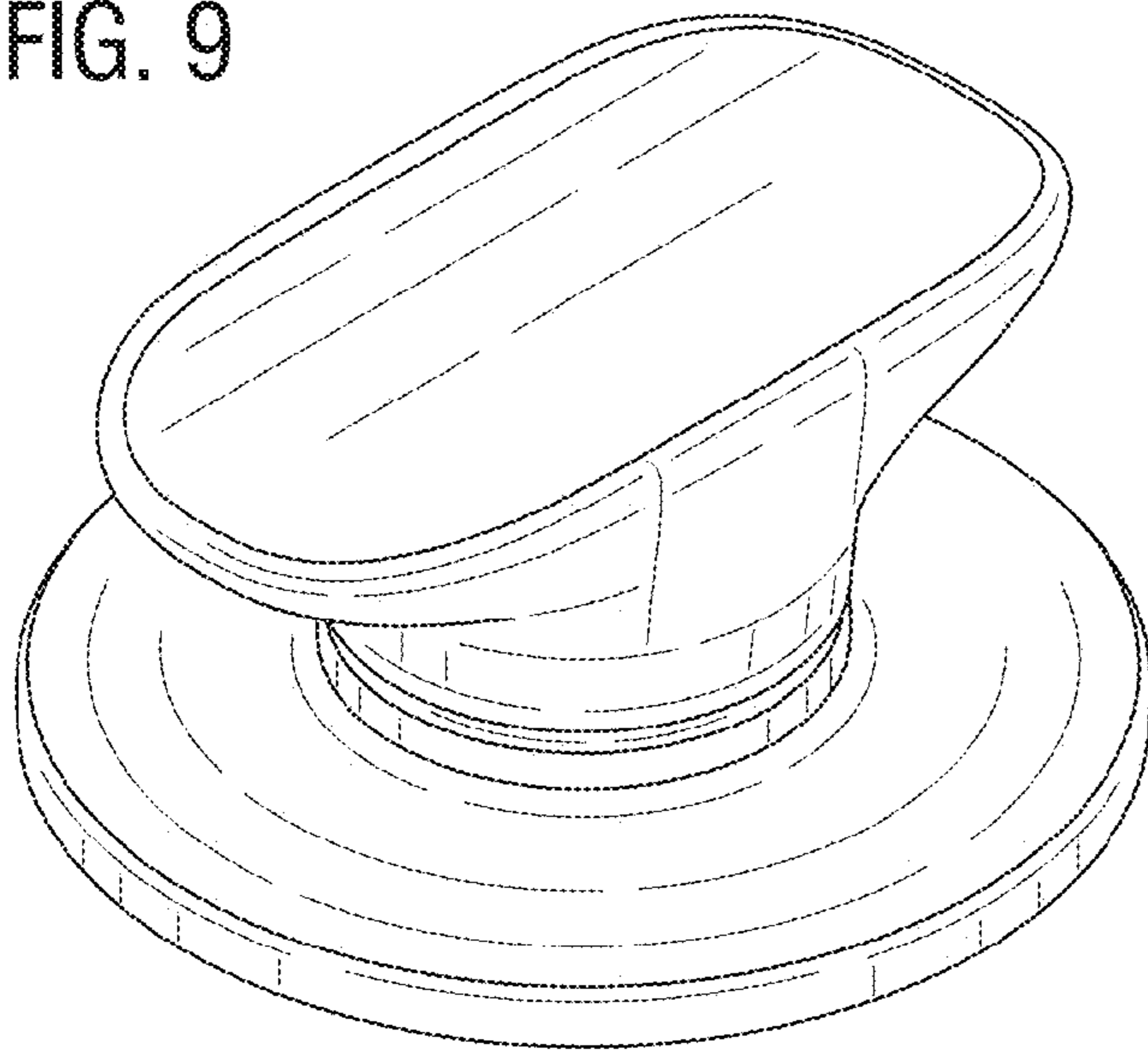


FIG. 10

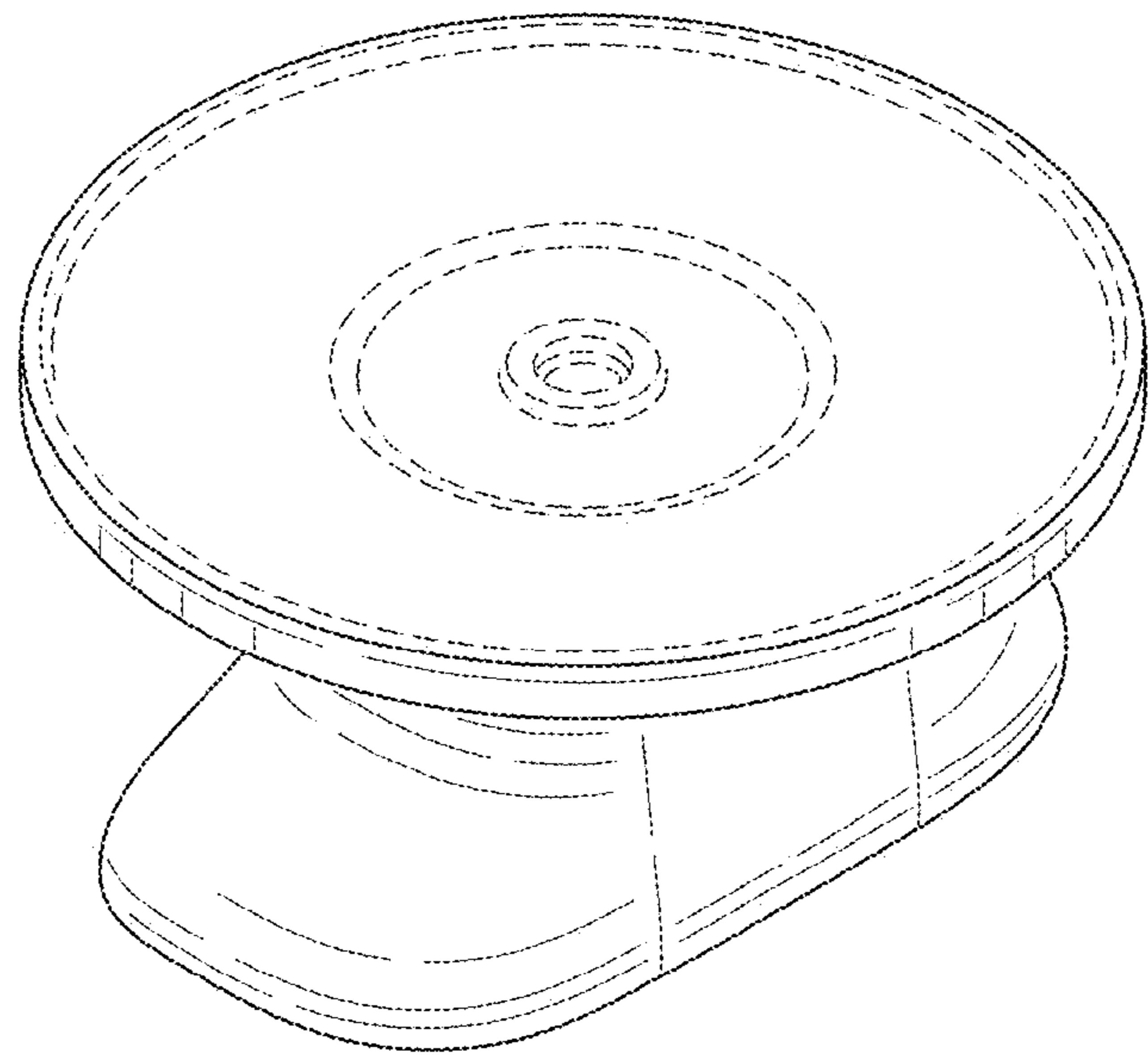


FIG. 11

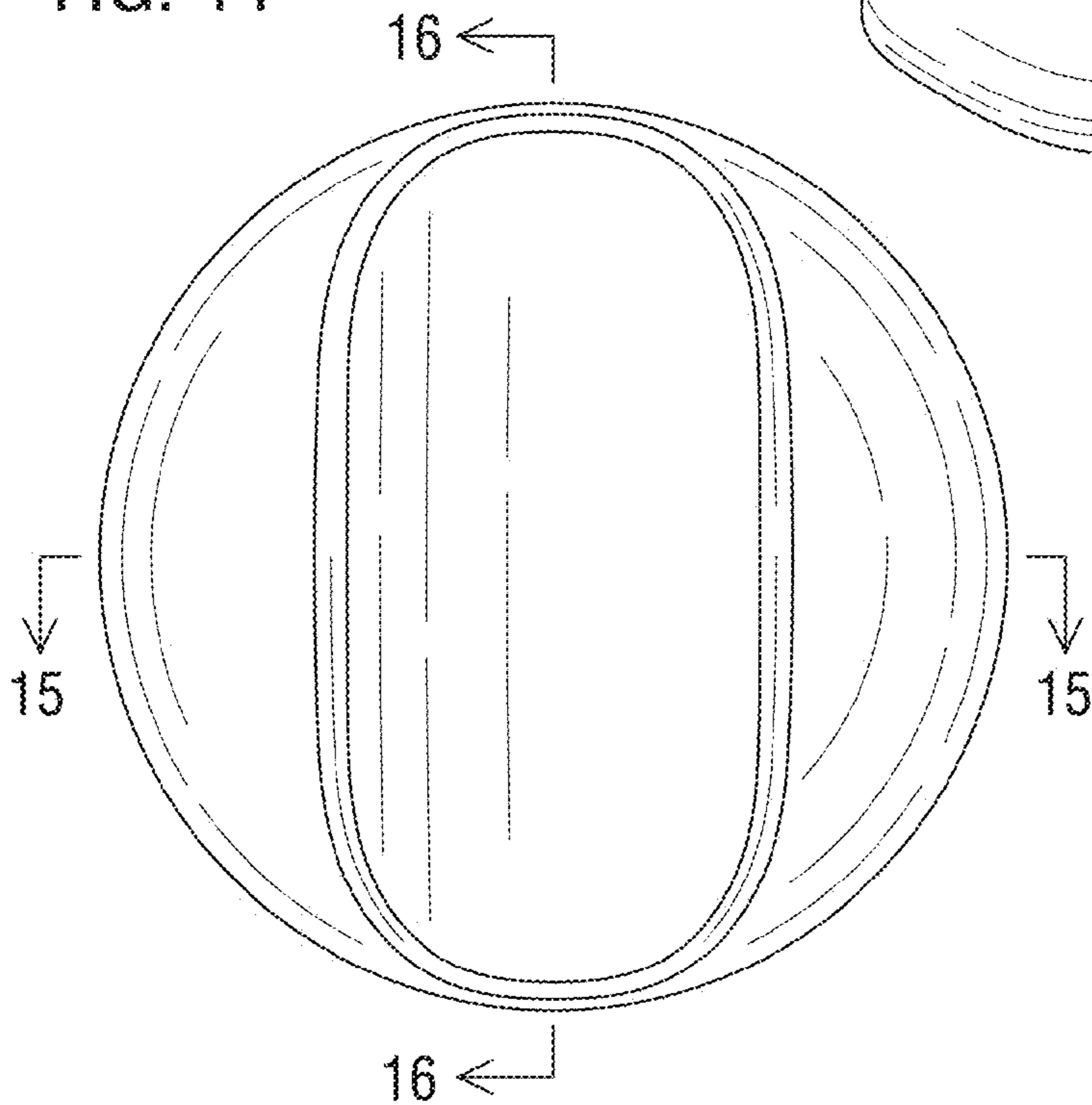


FIG. 12

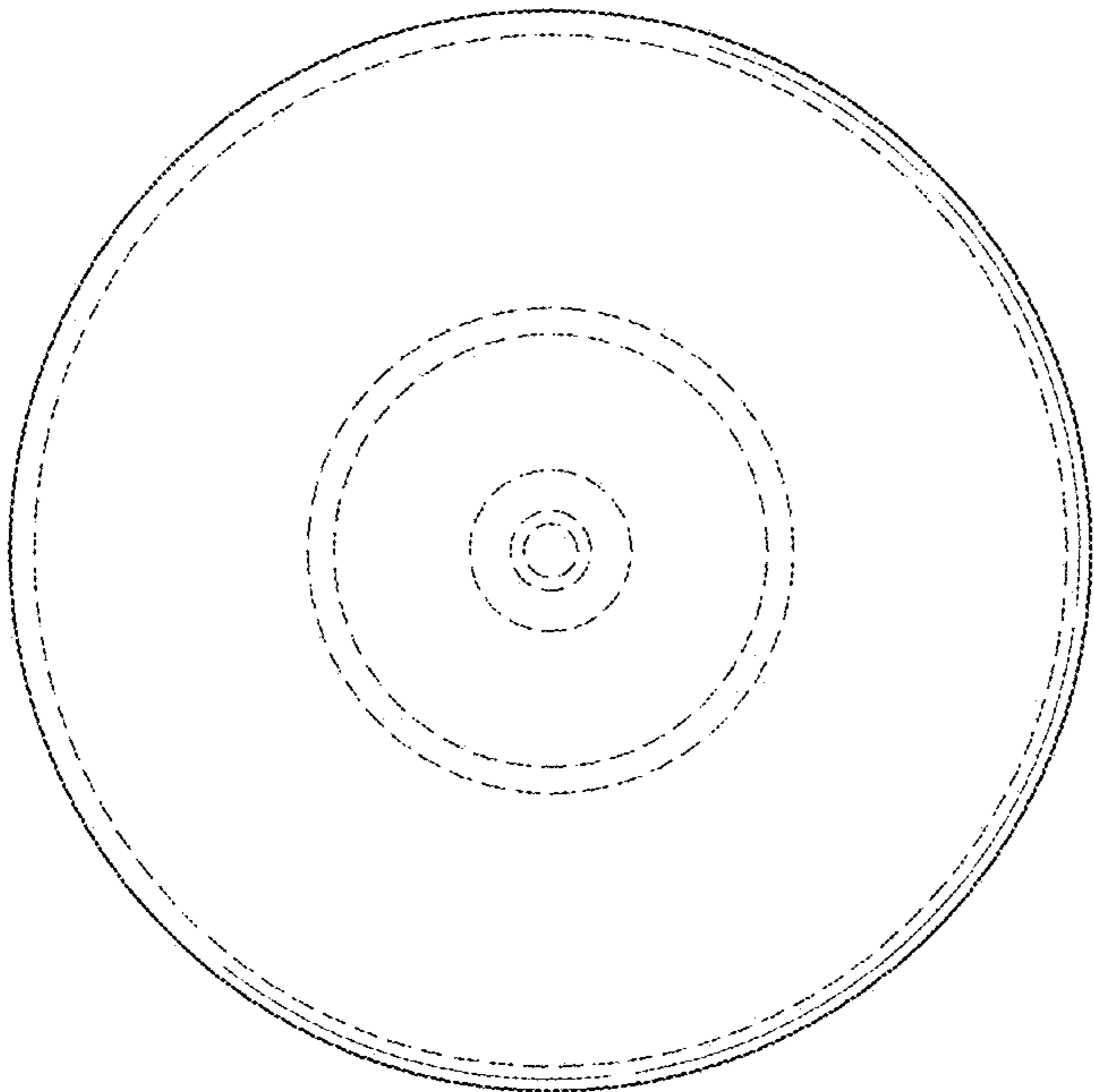


FIG. 13

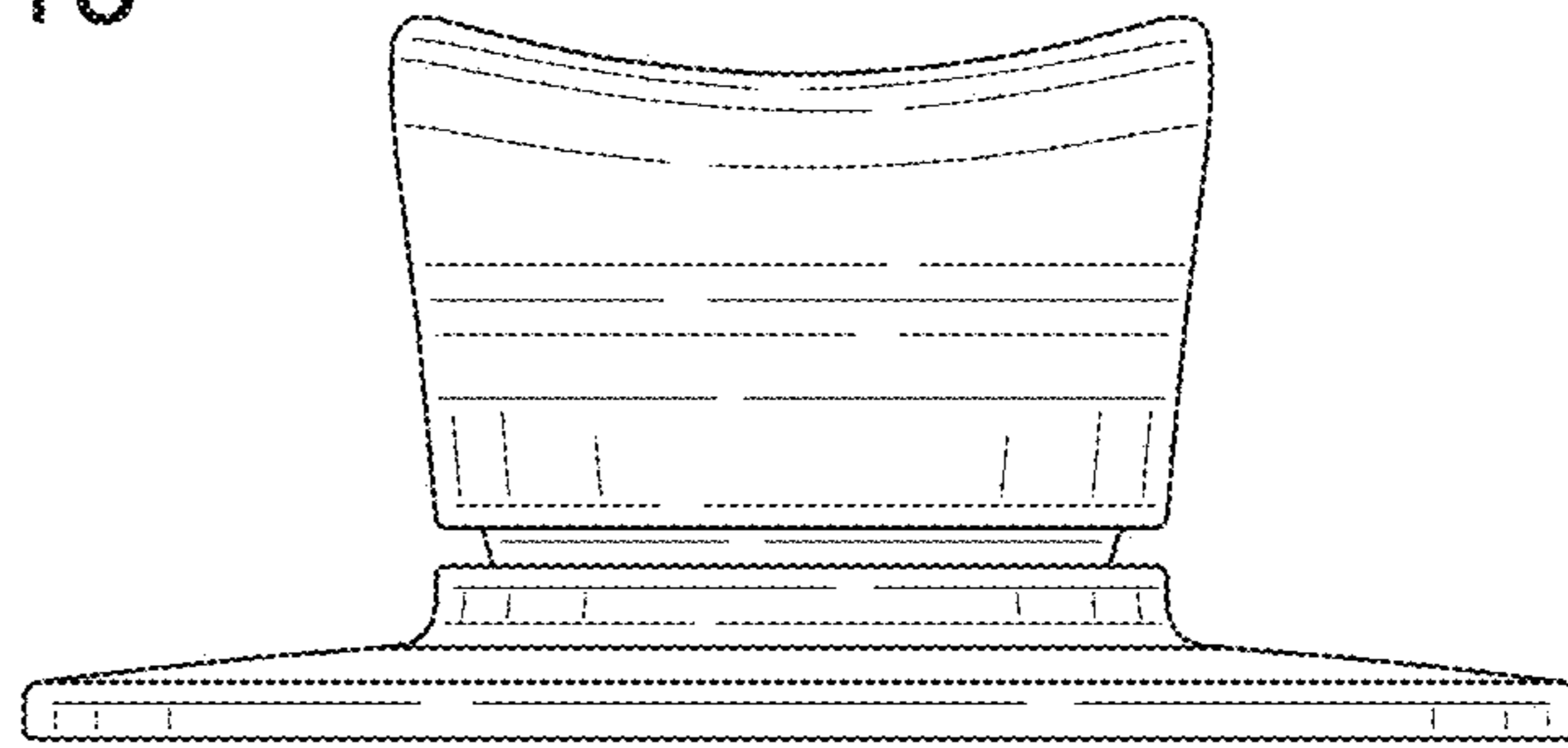


FIG. 14

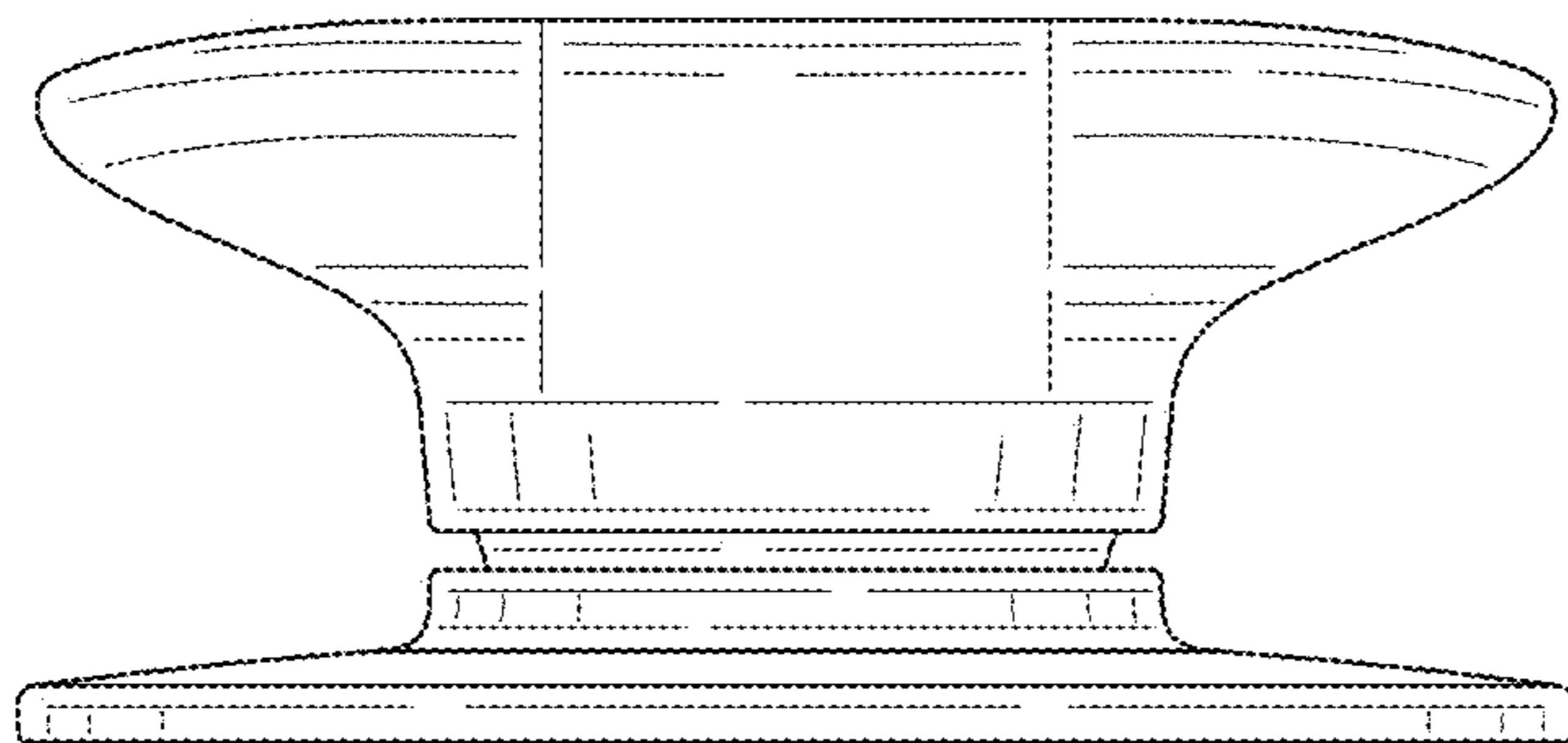


FIG. 15

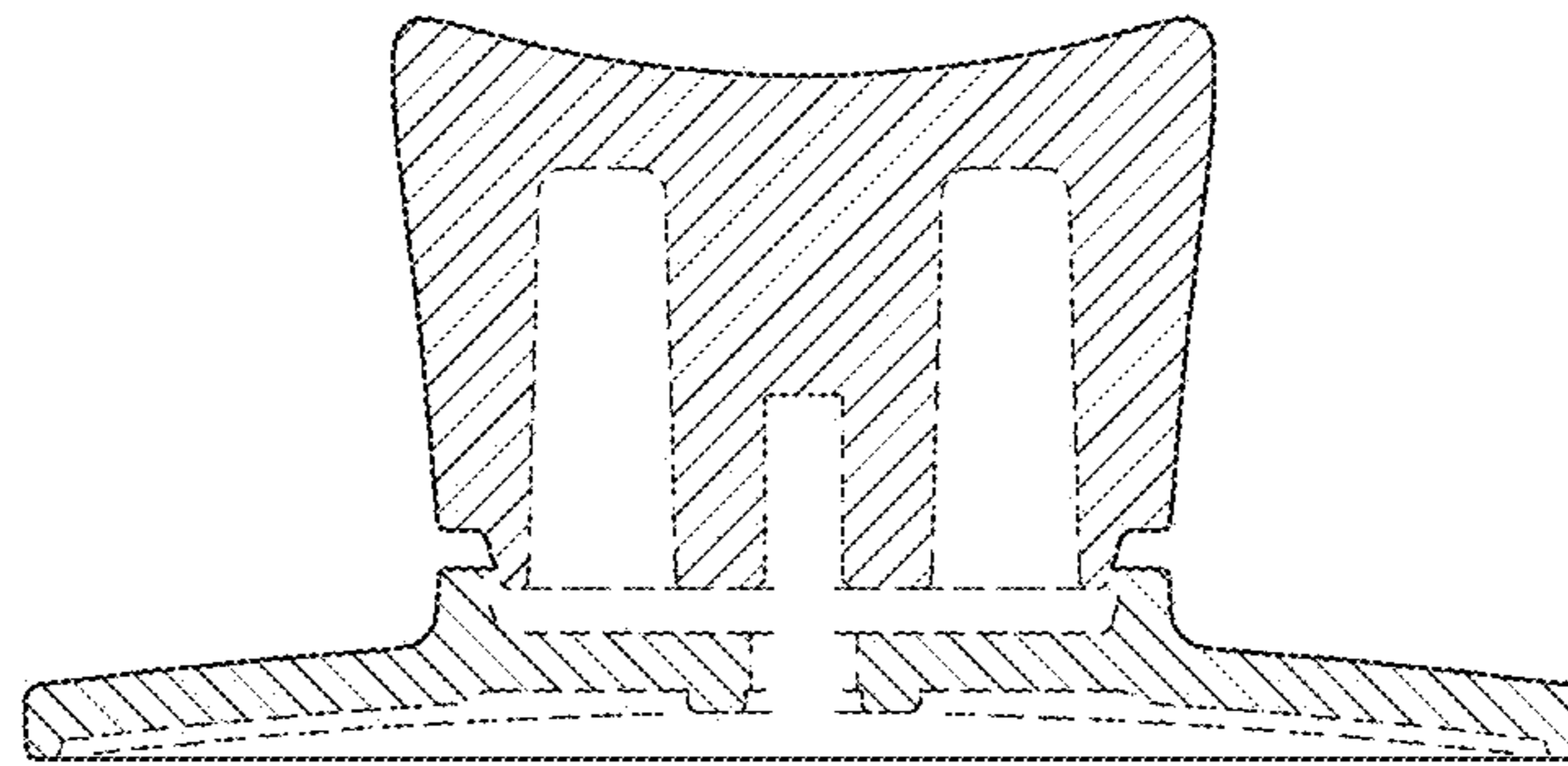


FIG. 16

