



US00D966793S

(12) **United States Design Patent** (10) **Patent No.:** **US D966,793 S**
Cornu (45) **Date of Patent:** **** Oct. 18, 2022**

(54) **COOKING POT HANDLE**

(71) Applicant: **Dart Industries Inc.**, Orlando, FL (US)
(72) Inventor: **Judicaël Cornu**, Schaerbeek (BE)
(73) Assignee: **Dart Industries Inc.**, Orlando, FL (US)
(**) Term: **15 Years**
(21) Appl. No.: **29/753,229**

(22) Filed: **Sep. 30, 2020**
(51) **LOC (13) Cl.** **07-02**
(52) **U.S. Cl.**
USPC **D7/393**
(58) **Field of Classification Search**
USPC D7/393-396, 387, 323, 354, 360-361,
D7/402, 533-536, 401.2, 398, 391, 619.1;
D8/300, 303, 307, 313, 321, 315, 317,
D8/320, 310, 312; D12/178; D34/27
CPC A47J 45/071; A47J 45/072; A47J 45/074;
A47J 45/07; A47J 45/00; A47J 45/06;
A47J 45/061; A47J 45/062; A47J 45/063;
B65D 25/2802; B65D 25/2882
See application file for complete search history.

(56) **References Cited**

U.S. PATENT DOCUMENTS

D391,444 S *	3/1998	Munari	D7/393
D410,817 S *	6/1999	Brunianyn	D7/393
D436,000 S *	1/2001	Munari	D7/393
D448,972 S *	10/2001	Knorr	D7/393
D457,387 S *	5/2002	Coudurier	D7/394
D461,092 S *	8/2002	Coudurier	D7/393
D516,377 S *	3/2006	Plichon	D7/394
D554,939 S *	11/2007	Munari	D7/394
D555,423 S *	11/2007	Hoff	D7/393
D615,350 S *	5/2010	Munari	D7/394

(Continued)

OTHER PUBLICATIONS

IN Registration No. 338453-001-0001, Cooking Pot Handle, Dart Industries Inc, publication date Apr. 9, 2021, [retrieved on Feb. 28, 2022], Retrieved from the Internet via Orbit.*

Primary Examiner — Nicole C Shiflet

(74) *Attorney, Agent, or Firm* — Taylor J. Ross

(57) **CLAIM**

The ornamental design for a cooking pot handle, as shown and described.

DESCRIPTION

FIG. 1 is a top, rear and right side isometric view of a cooking pot handle showing my new design, the cooking pot shown in broken lines;

FIG. 2 is a bottom, rear and left side isometric view thereof;

FIG. 3 is a top plan view thereof;

FIG. 4 is a bottom plan view thereof;

FIG. 5 is a front elevation view, the rear elevation view being obscured by the cooking pot;

FIG. 6 is a right side elevation view, the left side elevation view being a mirror image thereof;

FIG. 7 is a cross-sectional view taken along line 7-7 of FIG. 3;

FIG. 8 is a top, rear and right side isometric view of a cooking pot handle shown removed from the cooking pot;

FIG. 9 is a bottom, front and right side isometric view thereof;

FIG. 10 is a top plan view thereof;

FIG. 11 is a bottom plan view thereof;

FIG. 12 is a rear elevation view thereof;

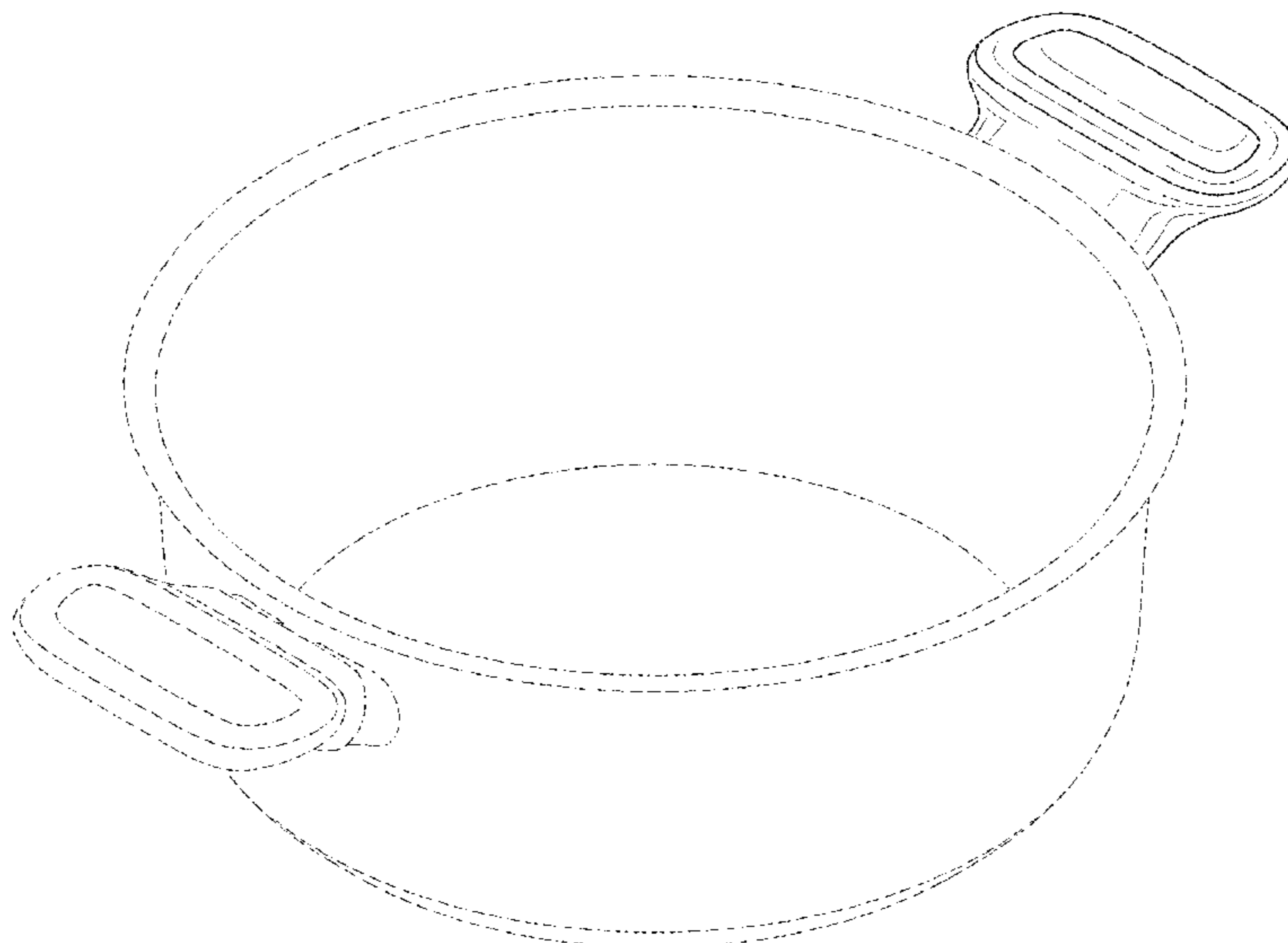
FIG. 13 is a front elevation view thereof;

FIG. 14 is a right side elevation view, the left side being a mirror image thereof; and,

FIG. 15 is a cross-sectional view taken along line 15-15 of FIG. 10.

The broken lines shown in the drawings are included for the purpose of illustrating environmental structure and form no part of the claimed design.

1 Claim, 9 Drawing Sheets



(56)

References Cited

U.S. PATENT DOCUMENTS

D617,604 S * 6/2010 Munari D7/393
D638,257 S * 5/2011 Bergne D7/393
D729,000 S * 5/2015 Barberi D7/394
D731,852 S 6/2015 Pallotto et al.

* cited by examiner

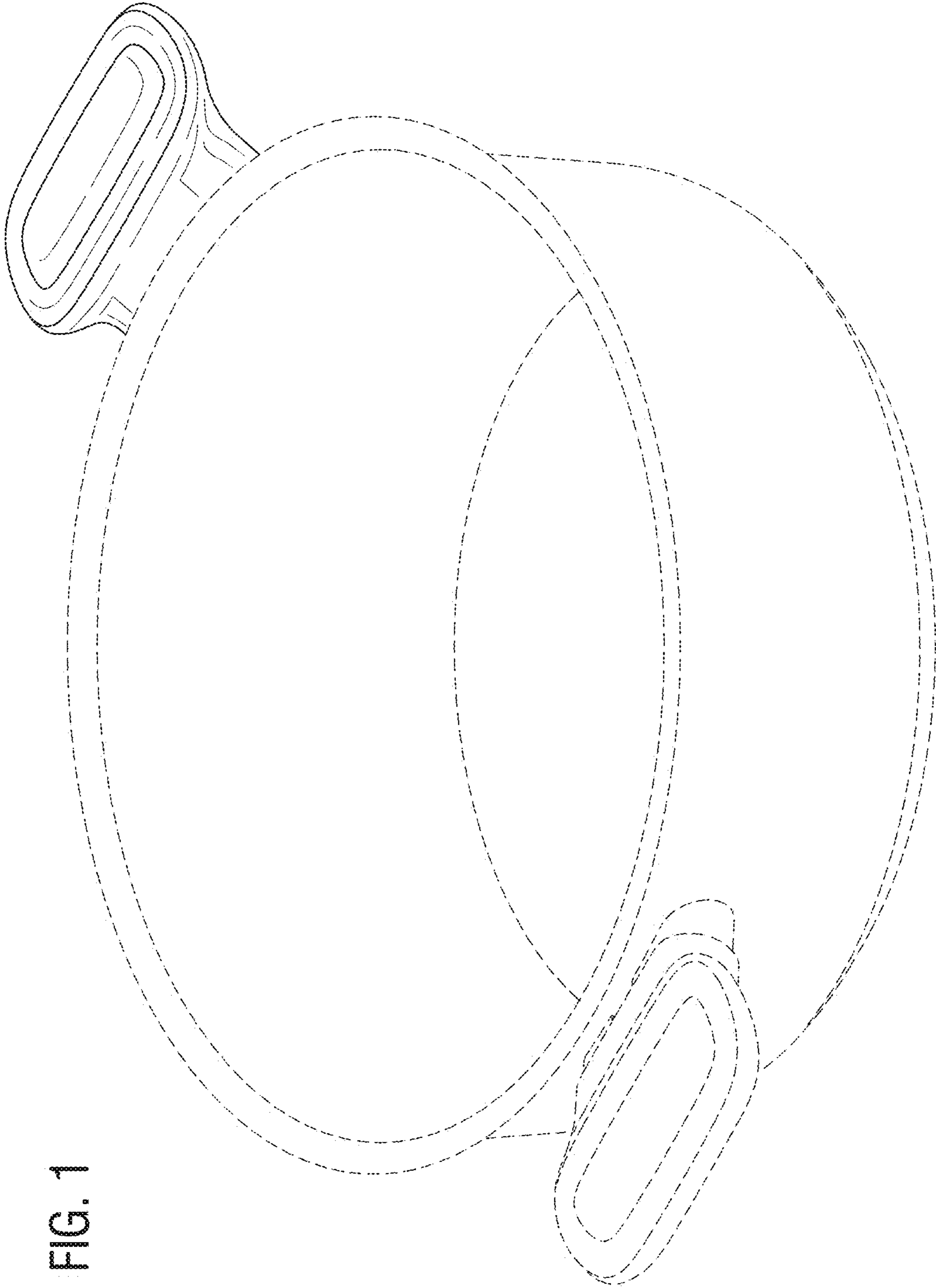


FIG. 1

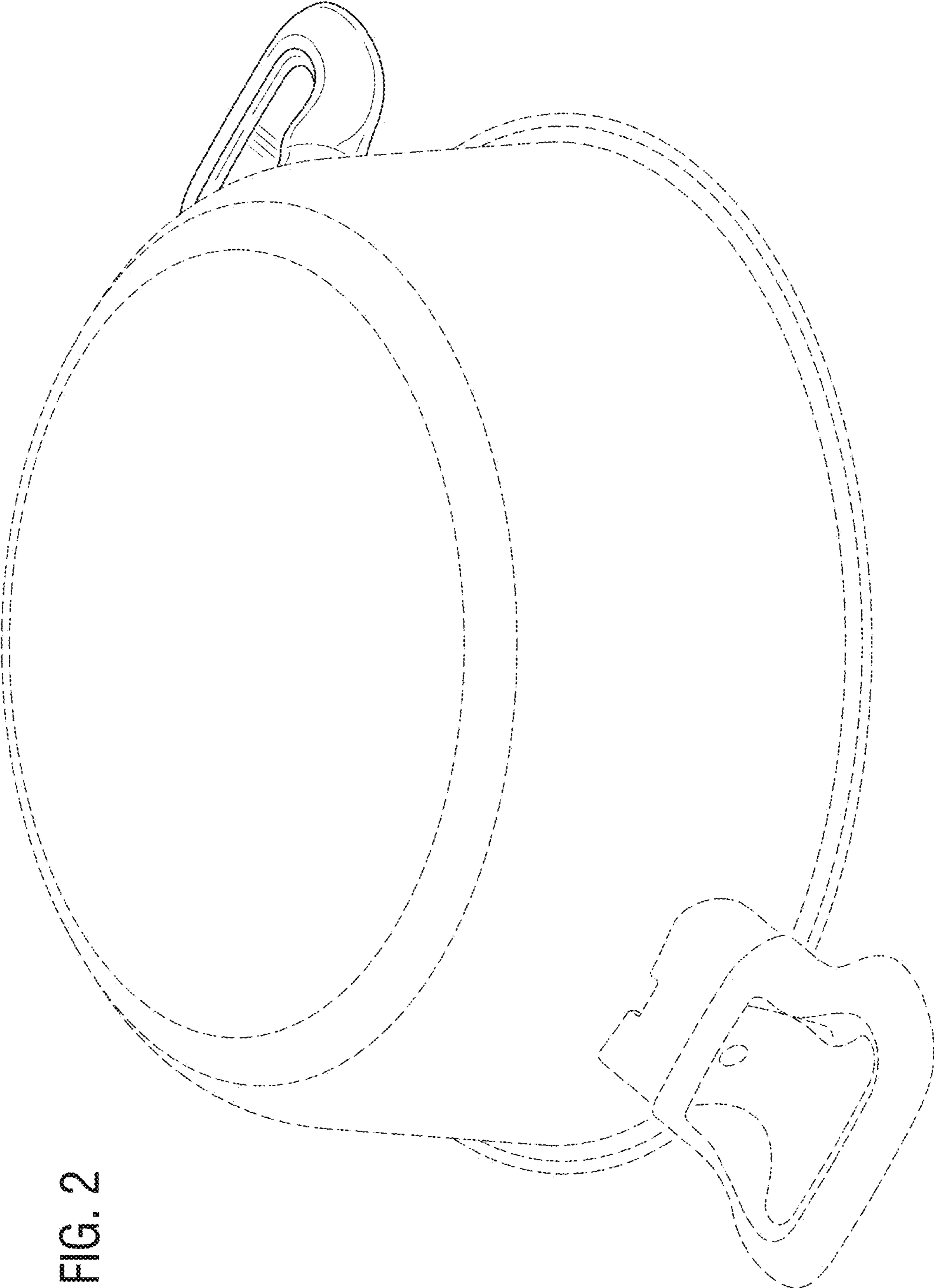


FIG. 2

FIG. 3

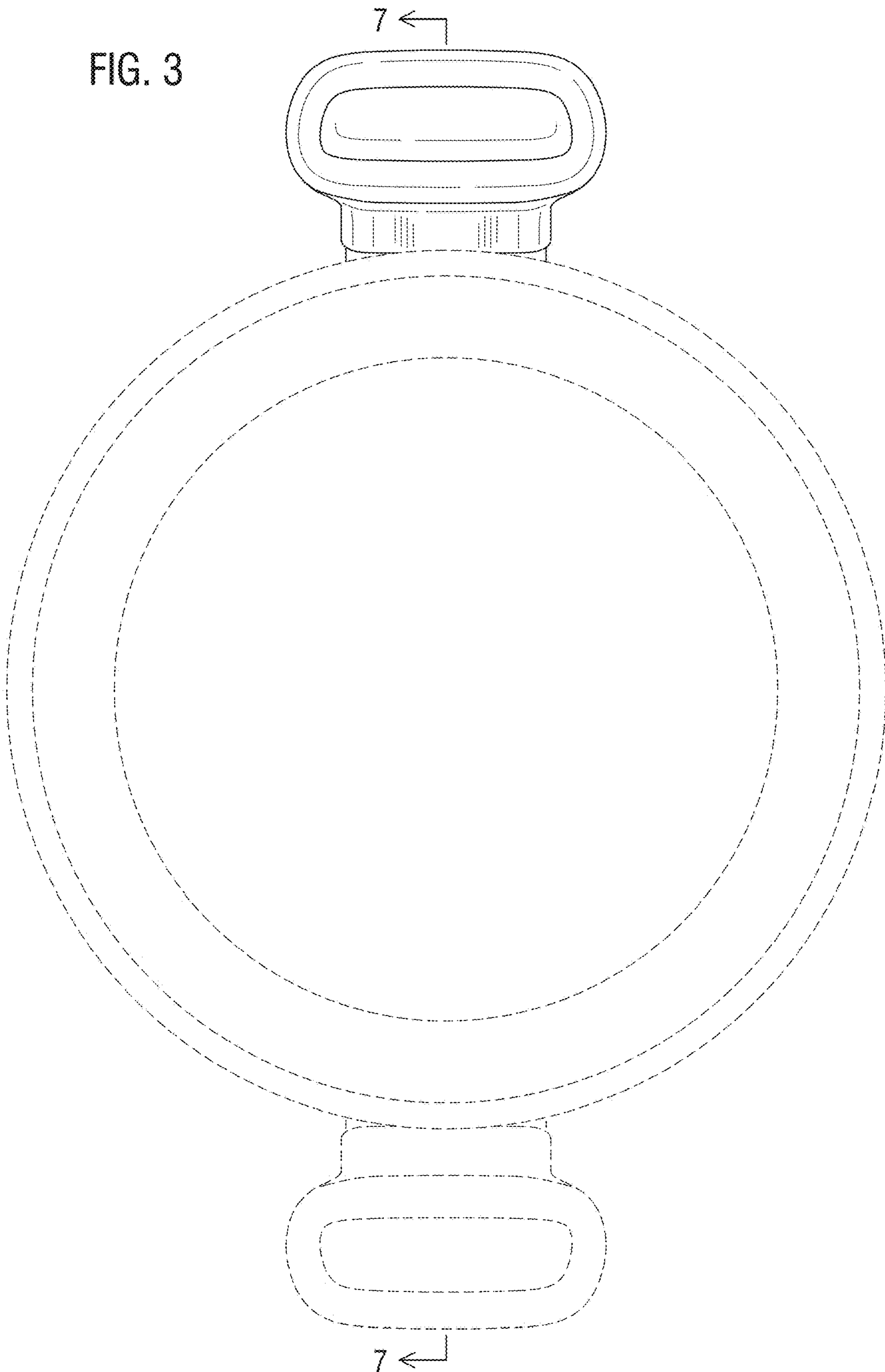


FIG. 4

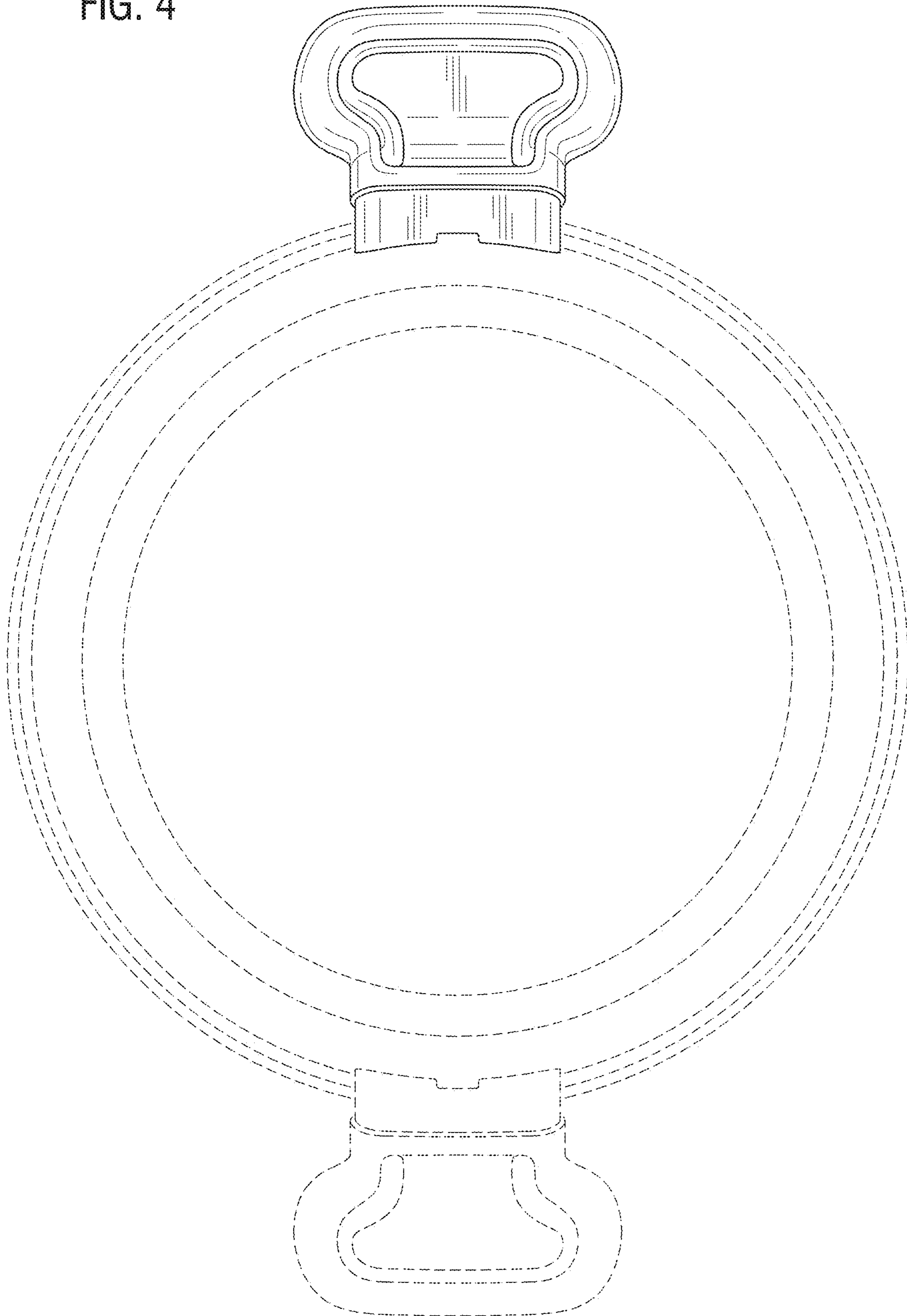


FIG. 5

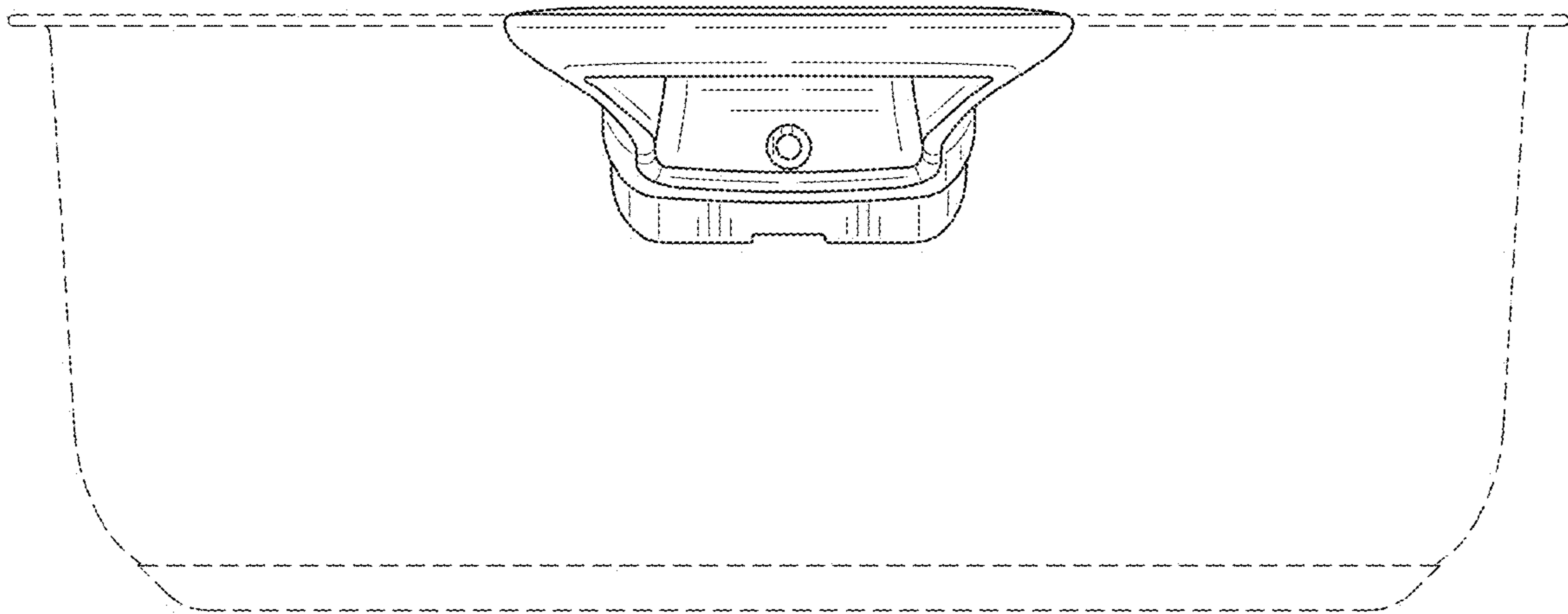


FIG. 6

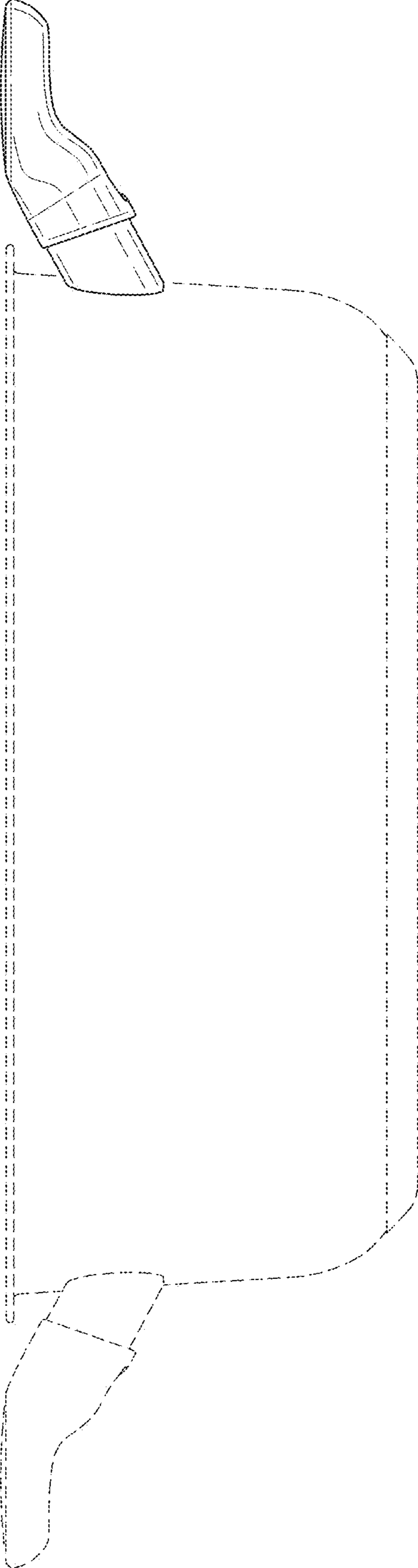




FIG. 7

FIG. 8

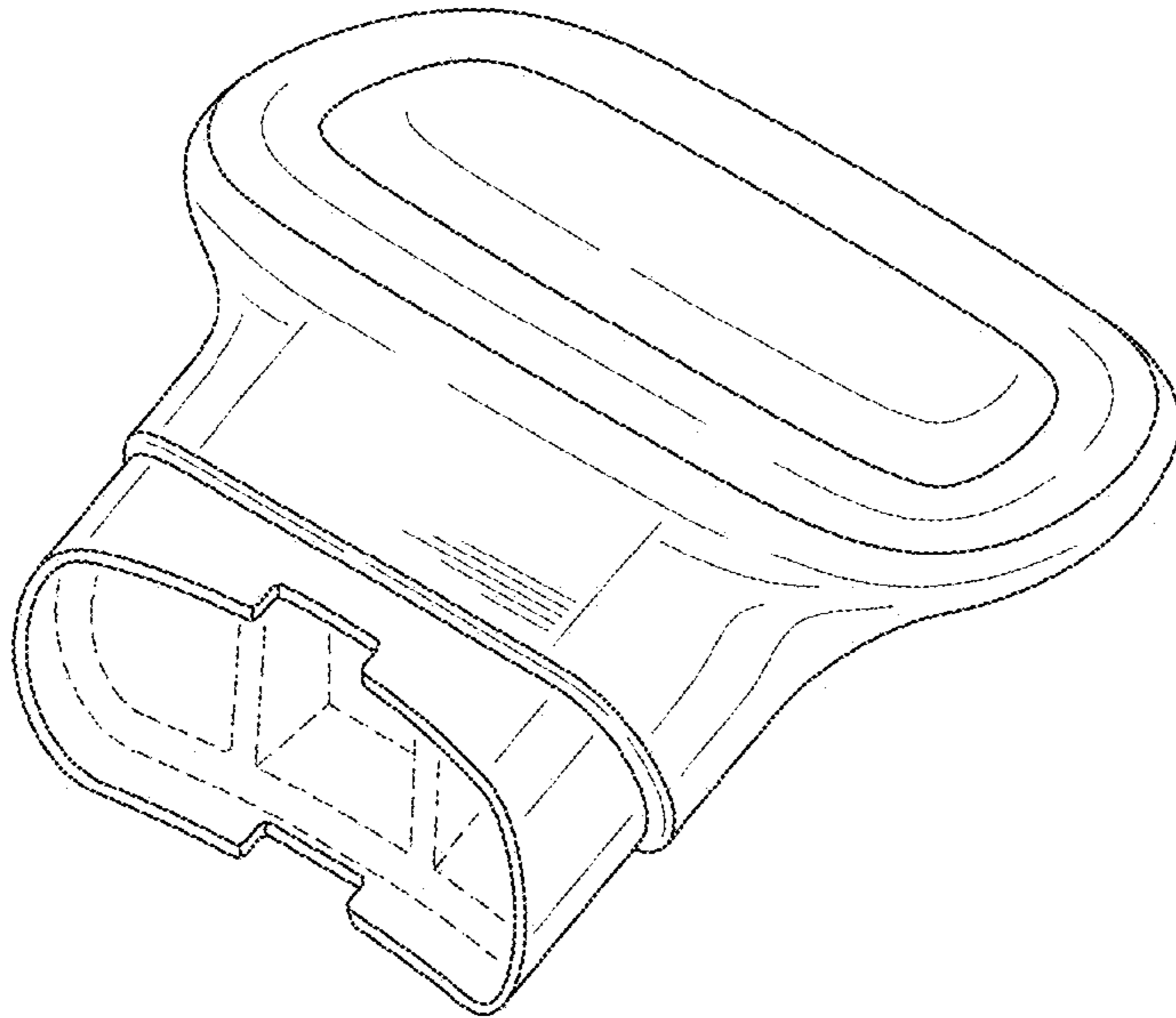


FIG. 9

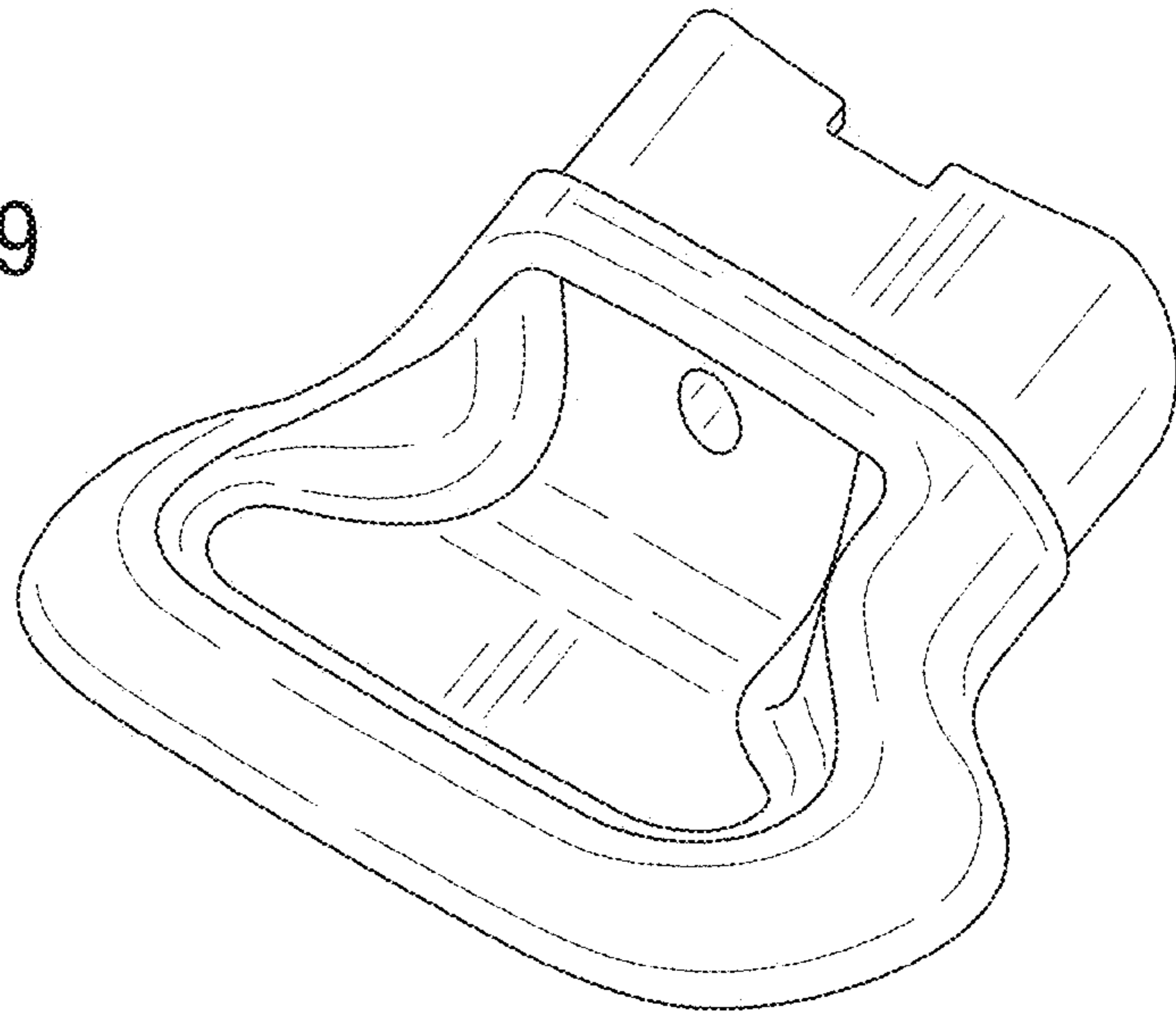


FIG. 10

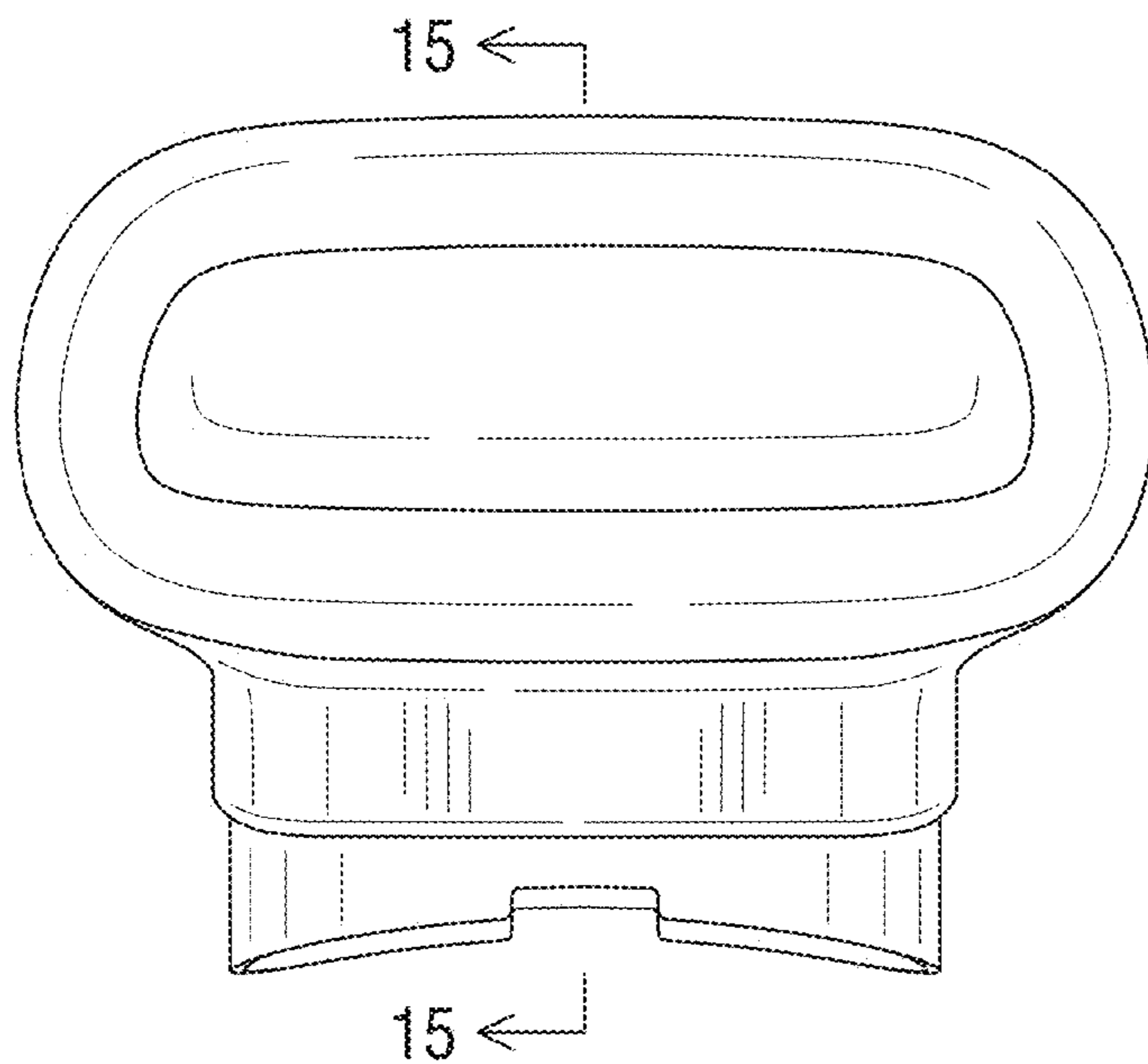


FIG. 11

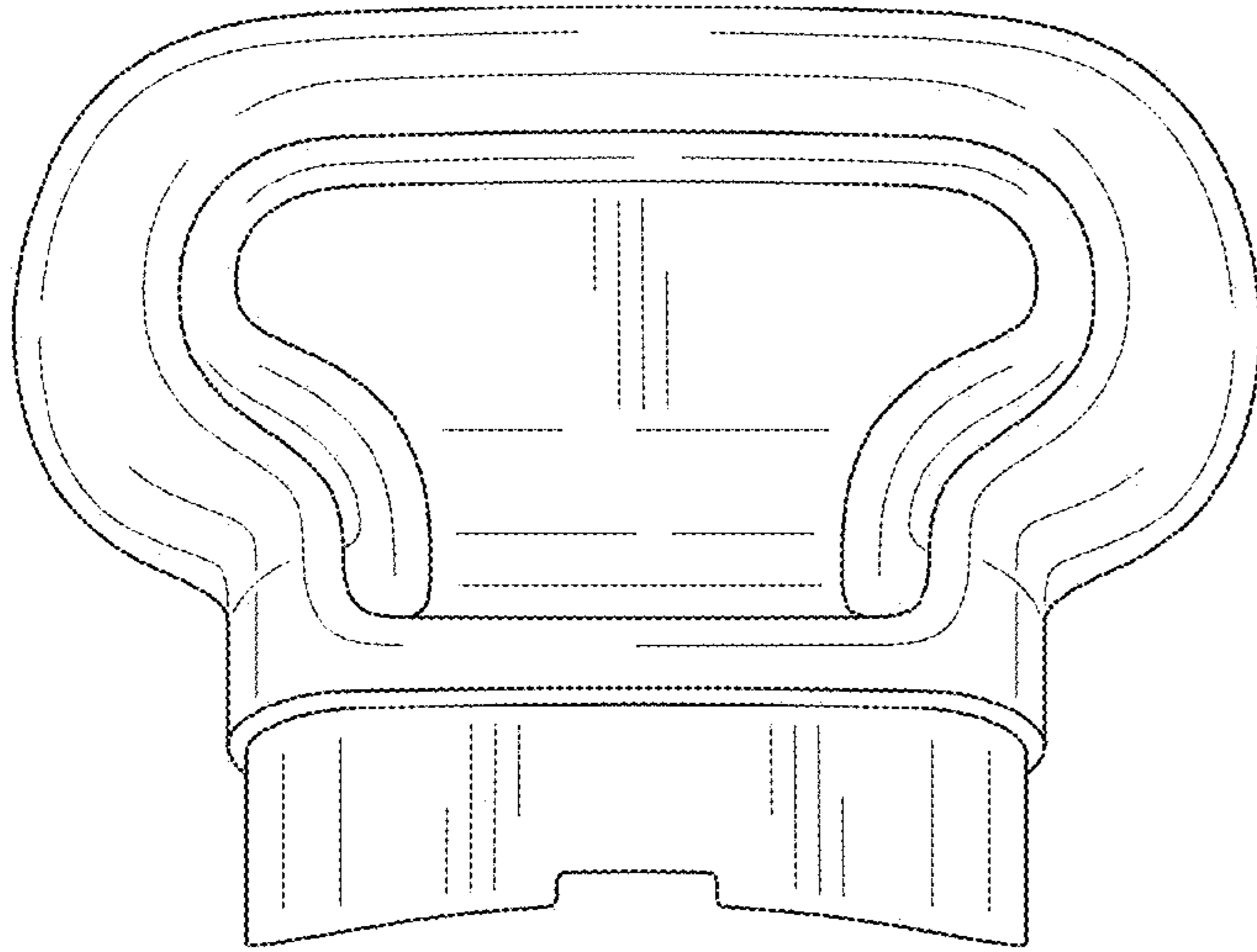


FIG. 12

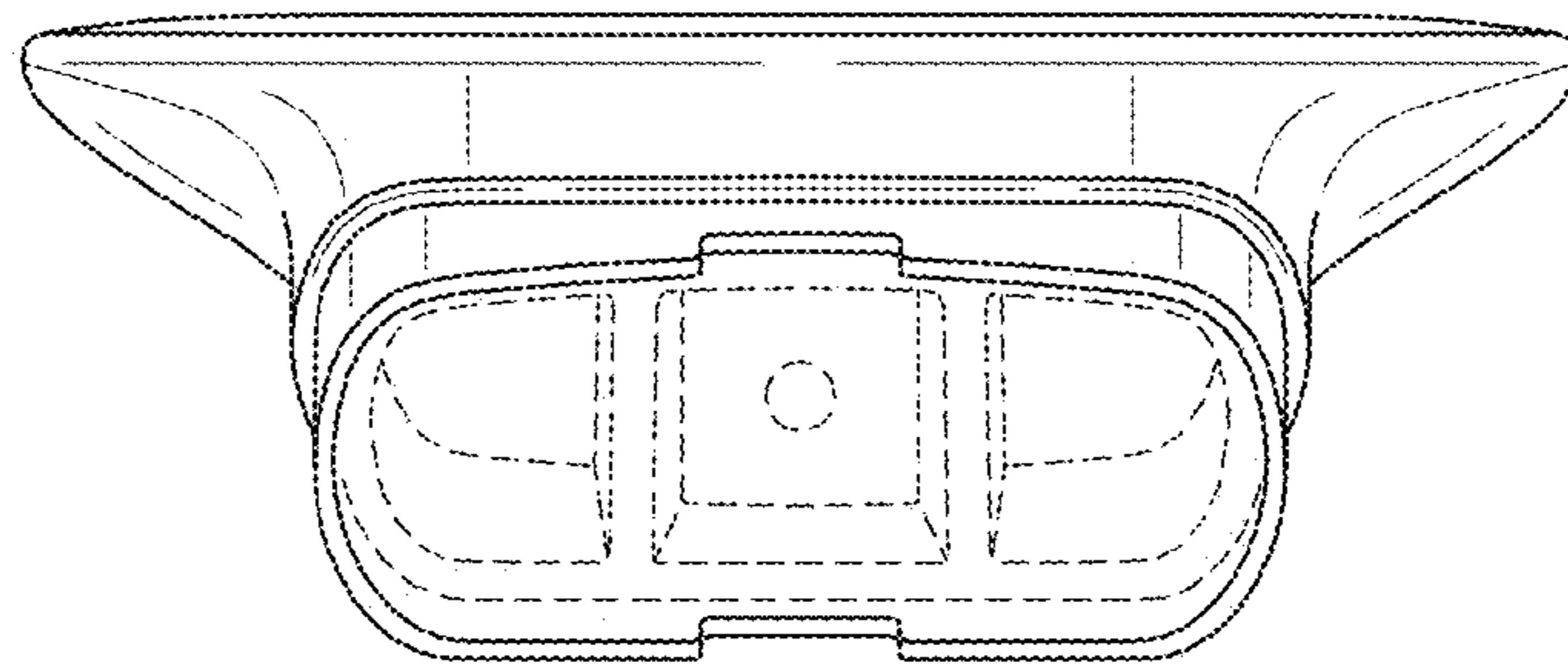


FIG. 13

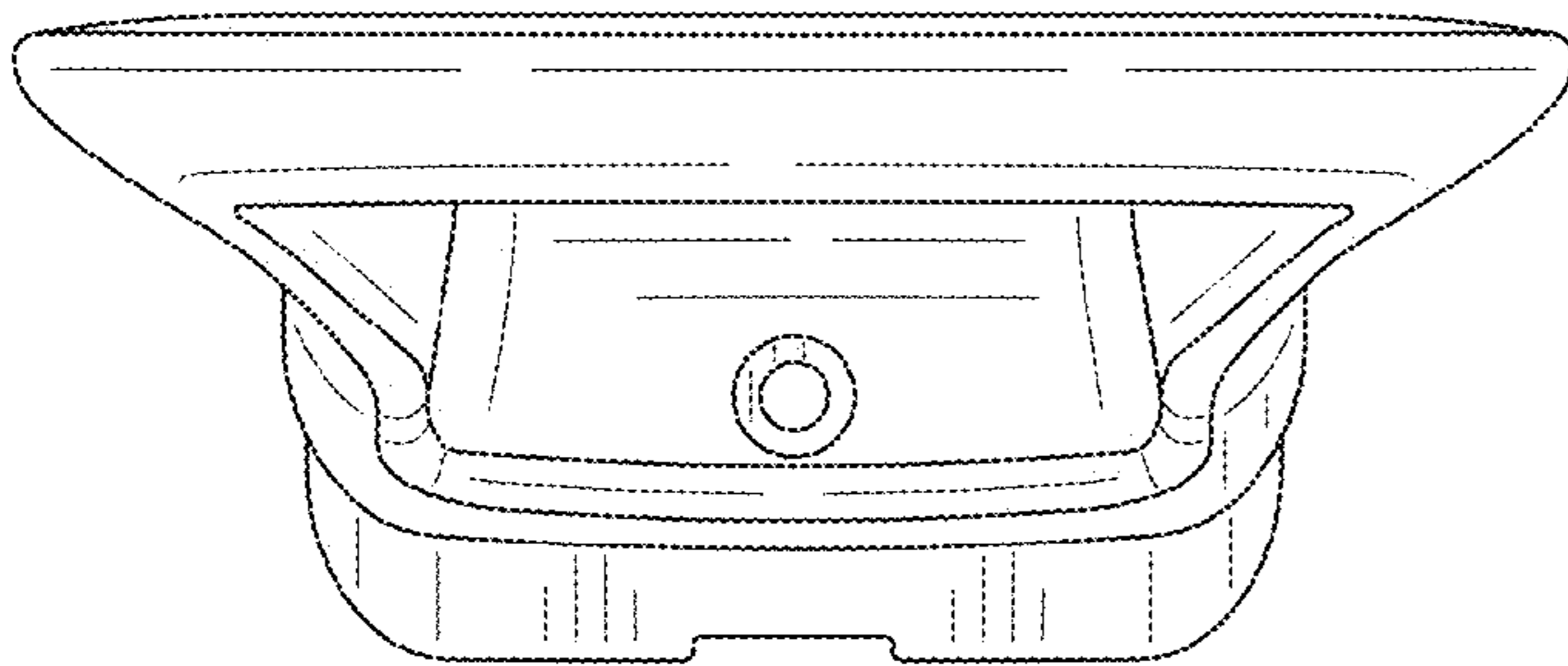


FIG. 14

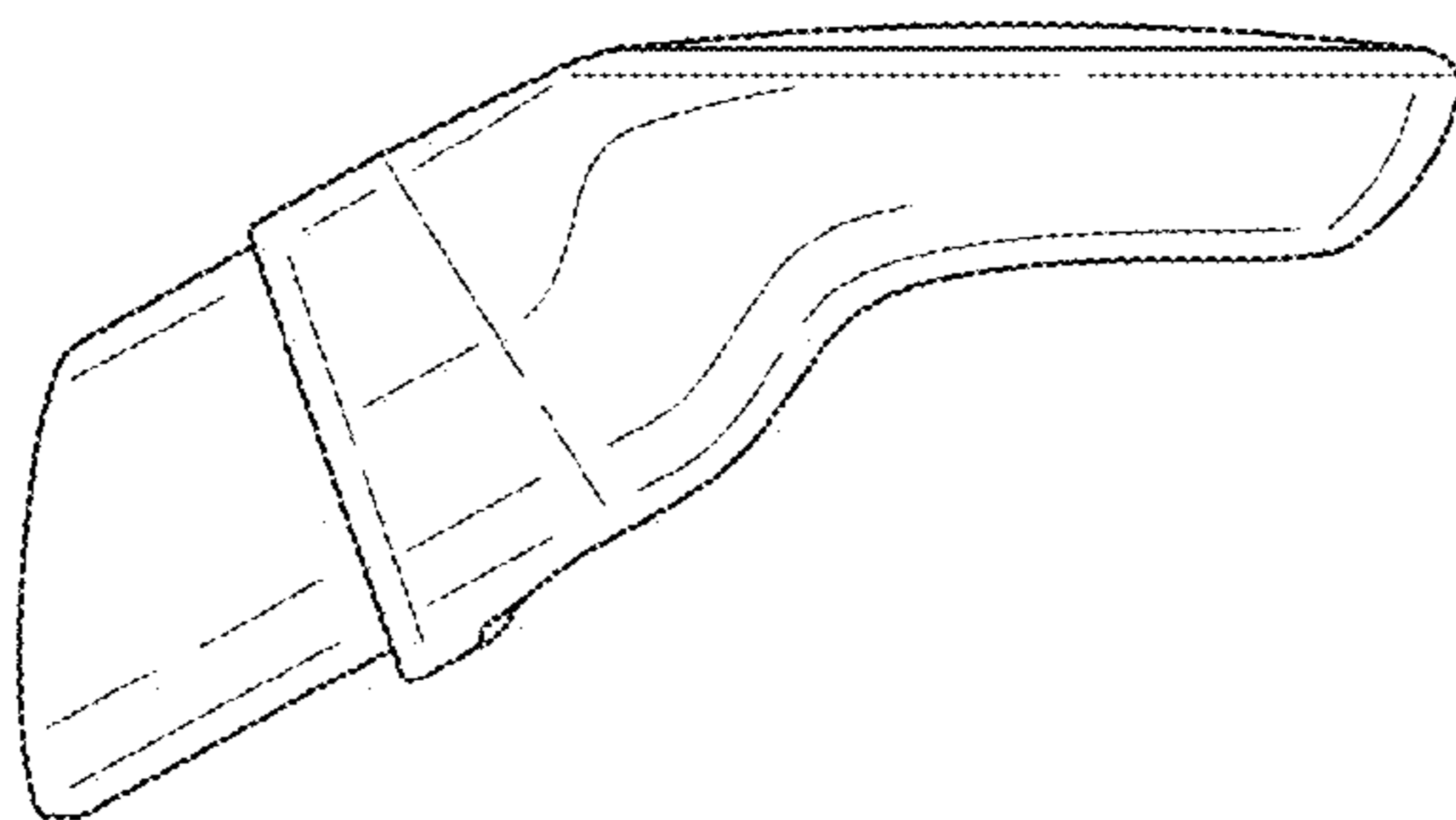


FIG. 15

