



US00D966792S

(12) **United States Design Patent** (10) **Patent No.:** **US D966,792 S**
Li (45) **Date of Patent:** **** Oct. 18, 2022**

(54) **WATER JUG CAP**
(71) Applicant: **SHENZHENSHI QIANHAI WOSION HOLDINGS LIMITED**, Shenzhen (CN)
(72) Inventor: **Weihong Li**, Shenzhen (CN)
(73) Assignee: **SHENZHENSHI QIANHAI WOSION HOLDINGS LIMITED**, Shenzhen (CN)

(**) Term: **15 Years**
(21) Appl. No.: **29/840,738**
(22) Filed: **May 31, 2022**
(51) **LOC (13) Cl.** **07-02**
(52) **U.S. Cl.**
USPC **D7/392.1; D9/443**
(58) **Field of Classification Search**
USPC D7/312, 313, 316, 387, 392.1, 393, D7/396.1, 396.2, 397, 398, 400; D9/434-442, 446, 447, 451, 452, 453, D9/454; D23/206, 209, 238, 249, 255, D23/259, 260, 261, 265; D12/197
CPC A47J 31/0673; B65D 85/8046; B65D 2251/0015; B65D 2251/0071; B65D 2251/20; B65D 47/2031; A61J 1/2096; A61J 1/2051; A61J 1/14
See application file for complete search history.

(56) **References Cited**
U.S. PATENT DOCUMENTS
D342,448 S * 12/1993 Ritcey D9/443
5,941,404 A * 8/1999 Charrette B65D 41/04
D472,145 S * 3/2003 Nottingham D9/443
D582,327 S * 12/2008 Ratcliffe D12/197
D621,705 S * 8/2010 Breckan D9/443
D621,706 S * 8/2010 Breckan D9/443
D621,707 S * 8/2010 Breckan D9/443
D634,156 S * 3/2011 Fuller D7/393

D646,362 S * 10/2011 Olateru D23/260
D760,345 S * 6/2016 Campbell D23/206
D777,342 S * 1/2017 Piramoon D24/224
D778,724 S * 2/2017 Martini D9/453
D779,324 S * 2/2017 Martini D9/443
D823,683 S * 7/2018 Caldwell D9/435
D829,098 S * 9/2018 Gallagher D9/453
D837,005 S * 1/2019 Klamm D8/25
D876,304 S * 2/2020 Kito D12/197
D899,849 S * 10/2020 Zhang D9/449
(Continued)

OTHER PUBLICATIONS

5 Gallon Water Jug: Announced May 27, 2022 (online). Site Visited (Aug. 24, 2022). Available from Internet URL: https://www.amazon.com/Gallon-Reusable-Replacement-Silicone-Bottles/dp/B0B2K41J1W/ref=sr_1_124?crd=SIE697TQYCAG&keywords=cap%2Bf%E2%80%A6%201/5.*

(Continued)

Primary Examiner — Catherine S Posthauer
(74) *Attorney, Agent, or Firm* — ScienBiziP, P.C.

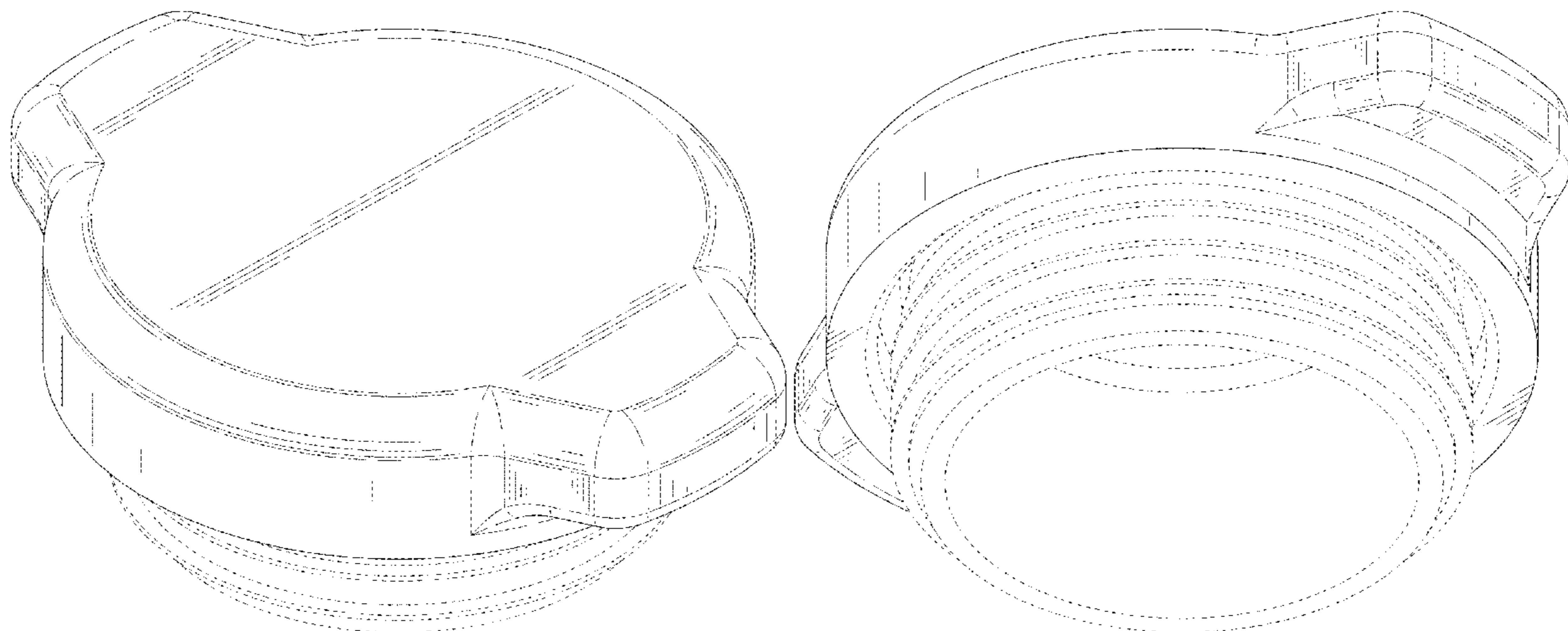
(57) **CLAIM**

The ornamental design for a water jug cap, as shown and described.

DESCRIPTION

FIG. 1 is a front, right and top perspective view of a water jug cap, showing my design.
FIG. 2 is a rear, left and bottom perspective view thereof.
FIG. 3 is a front elevation view thereof.
FIG. 4 is a rear elevation view thereof.
FIG. 5 is a left side elevation view thereof.
FIG. 6 is a right side elevation view thereof.
FIG. 7 is a top plan view thereof; and,
FIG. 8 is a bottom plan view thereof.
The broken lines shown in the drawings are included for the purpose of illustrating portions of the water jug cap that form no part of the claimed design.

1 Claim, 8 Drawing Sheets



(56)

References Cited

U.S. PATENT DOCUMENTS

D899,927 S * 10/2020 Friedman D9/443
D931,102 S 9/2021 Asprey et al.
D933,478 S 10/2021 Berroa Garcia
D934,144 S * 10/2021 Chen D12/197

OTHER PUBLICATIONS

MR. Hobby Bottle Spout Cap: Site Visited [Jul. 30, 2022). Available from Internet URL: <https://www.rcpapa.com/products/mr-hobby-bottle-spout-cap-set-for-mr-thinner>.*

Water Bottle Caps Non-Spill Replacement: Site Visited Aug. 23, 2022. Available from Internet URL: <https://www.walmart.com/ip/PMTY-4-Pieces-5-Gallon-Water-Bottle-Caps-Non-Spill-Replacement-Ideal-3-5-Jugs-Silicone-Anti-Splash-Reusable-Fits-55mm-Bottles-supple/1398263492>.*

* cited by examiner

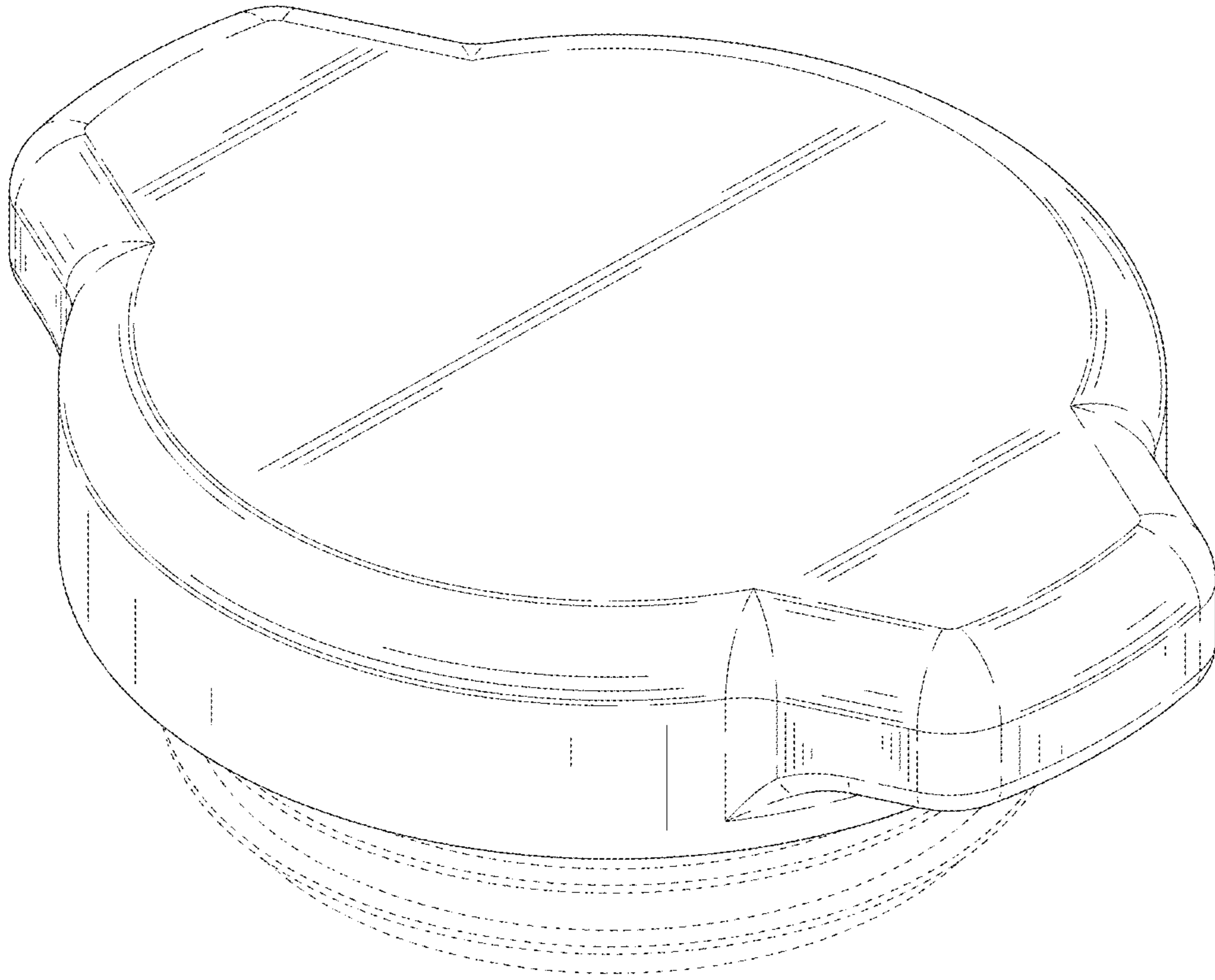


FIG. 1

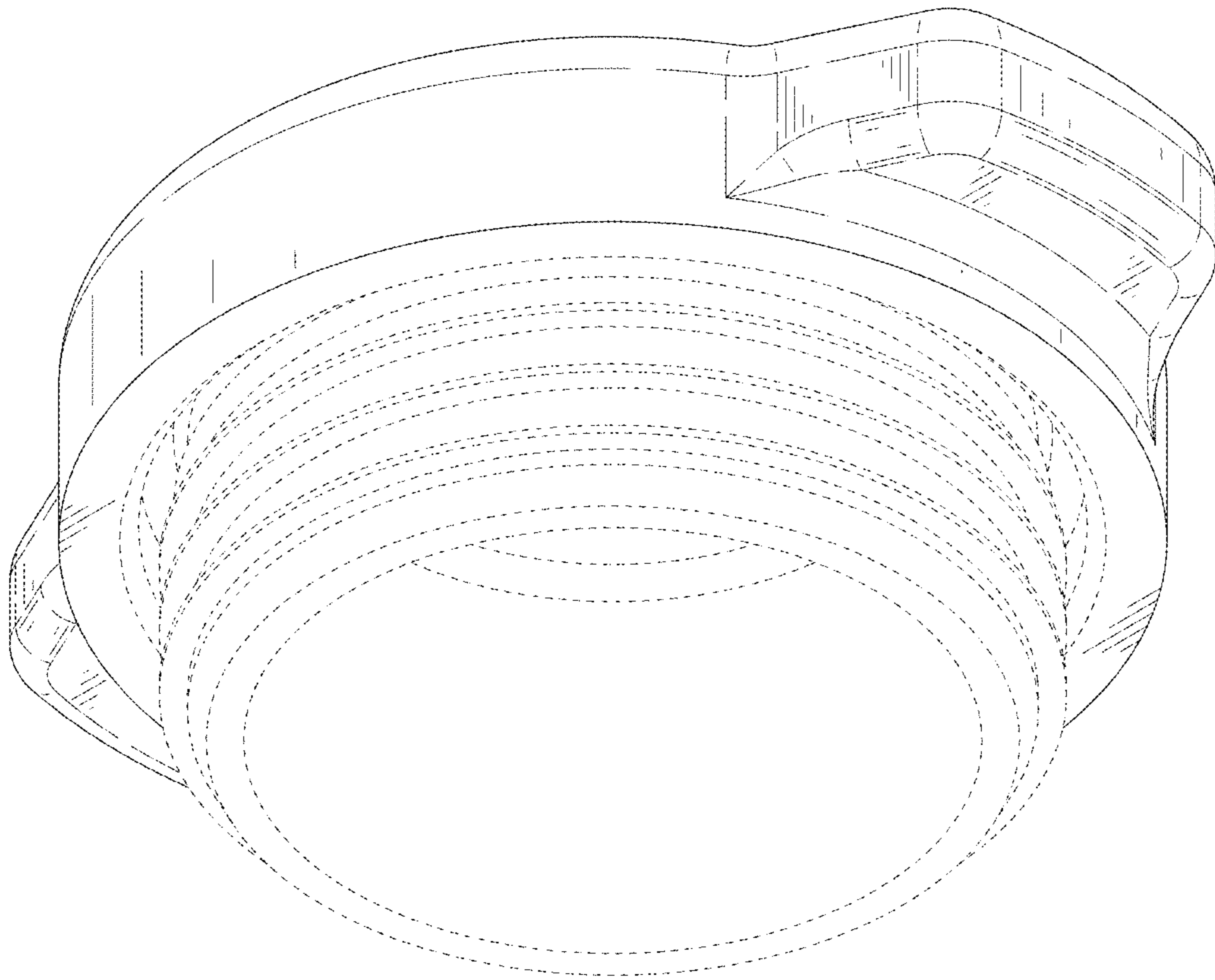


FIG. 2



FIG. 3

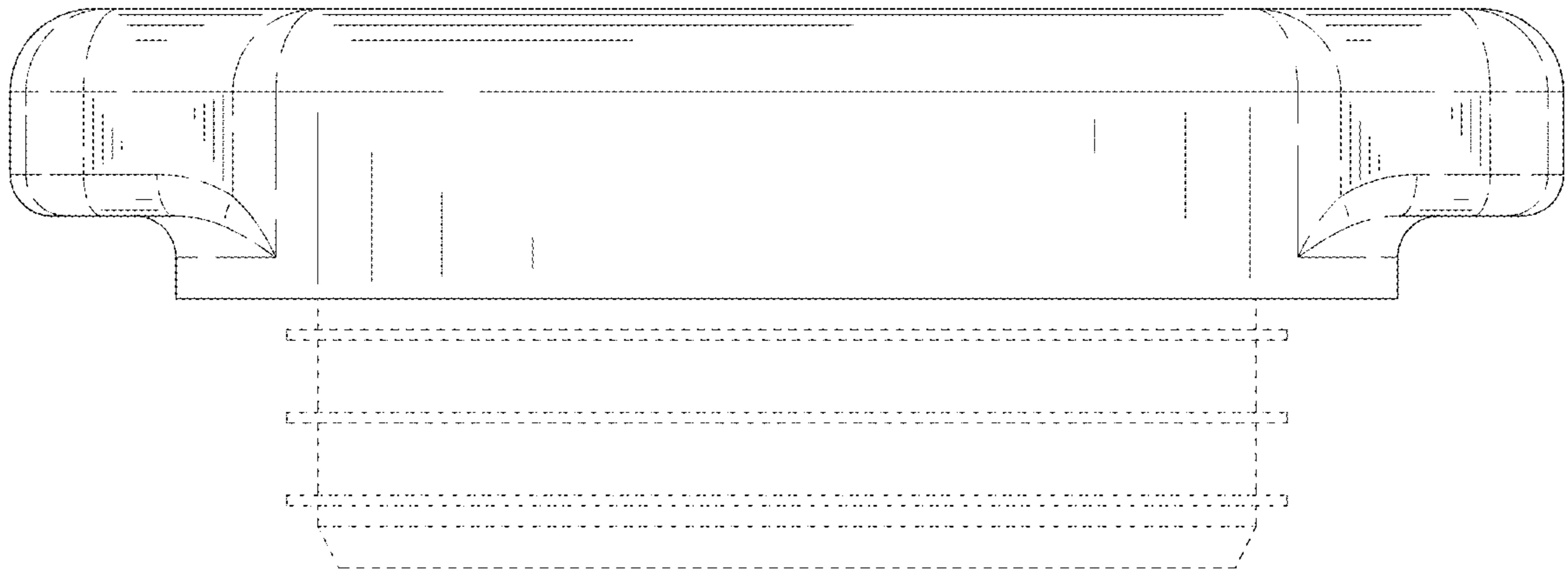


FIG. 4

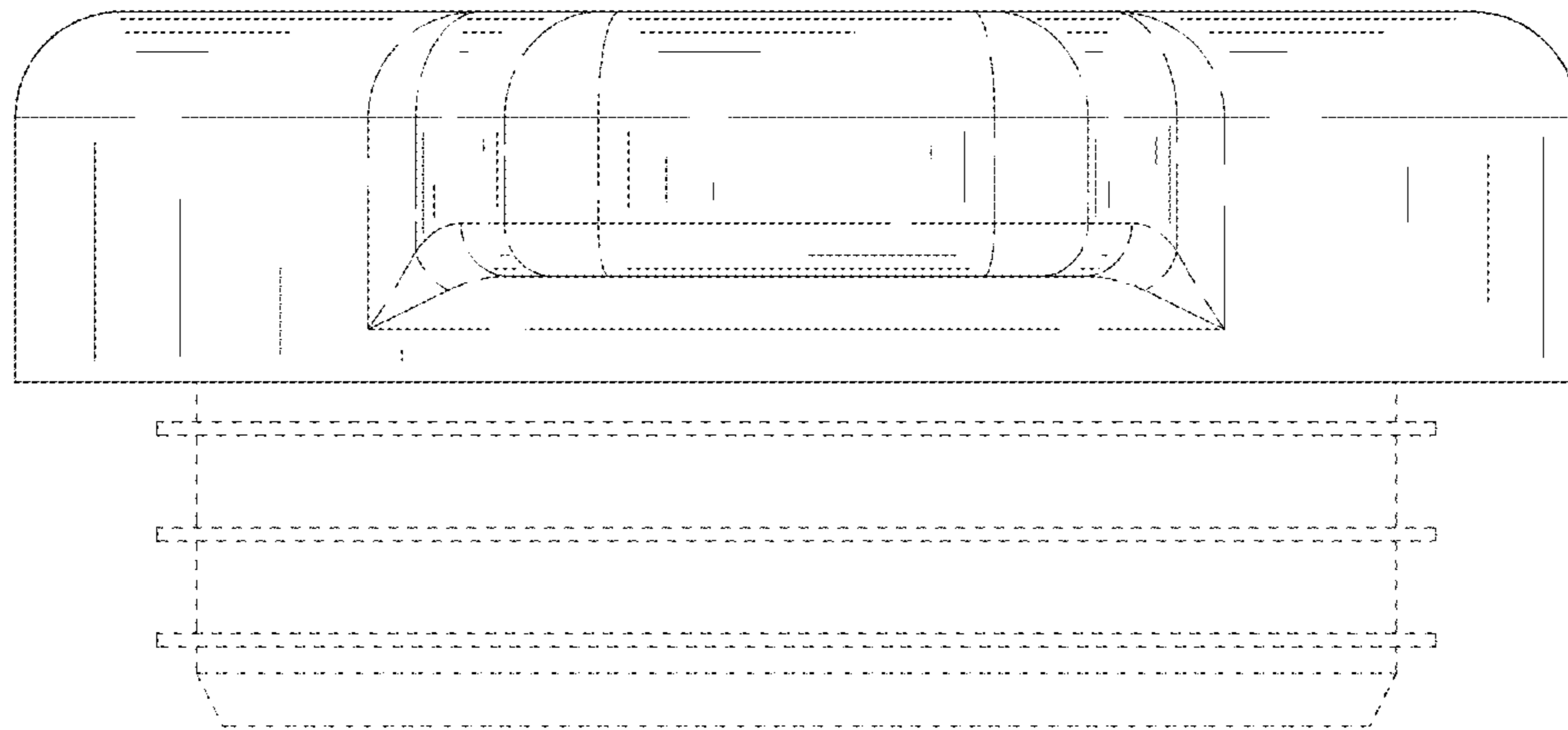


FIG. 5

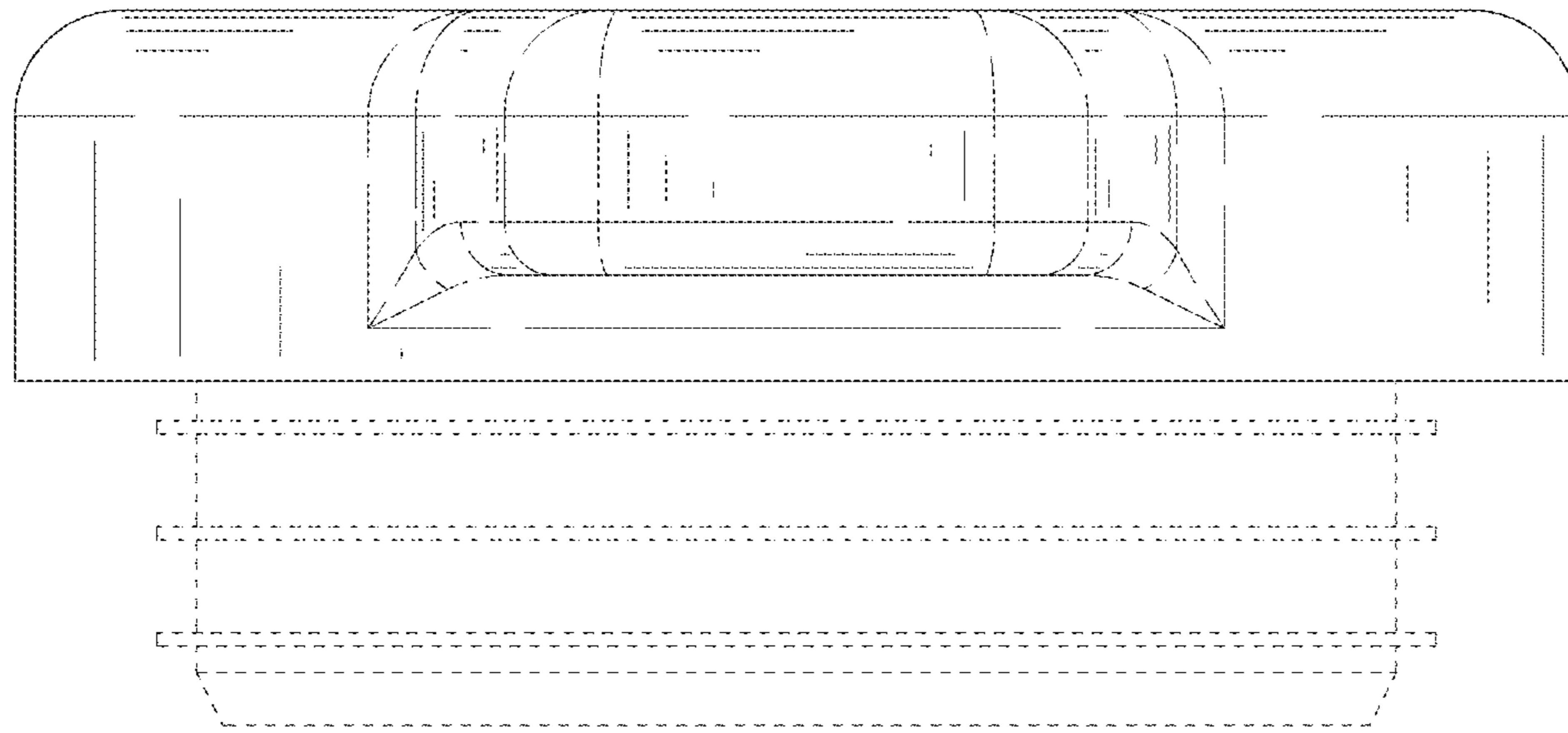


FIG. 6

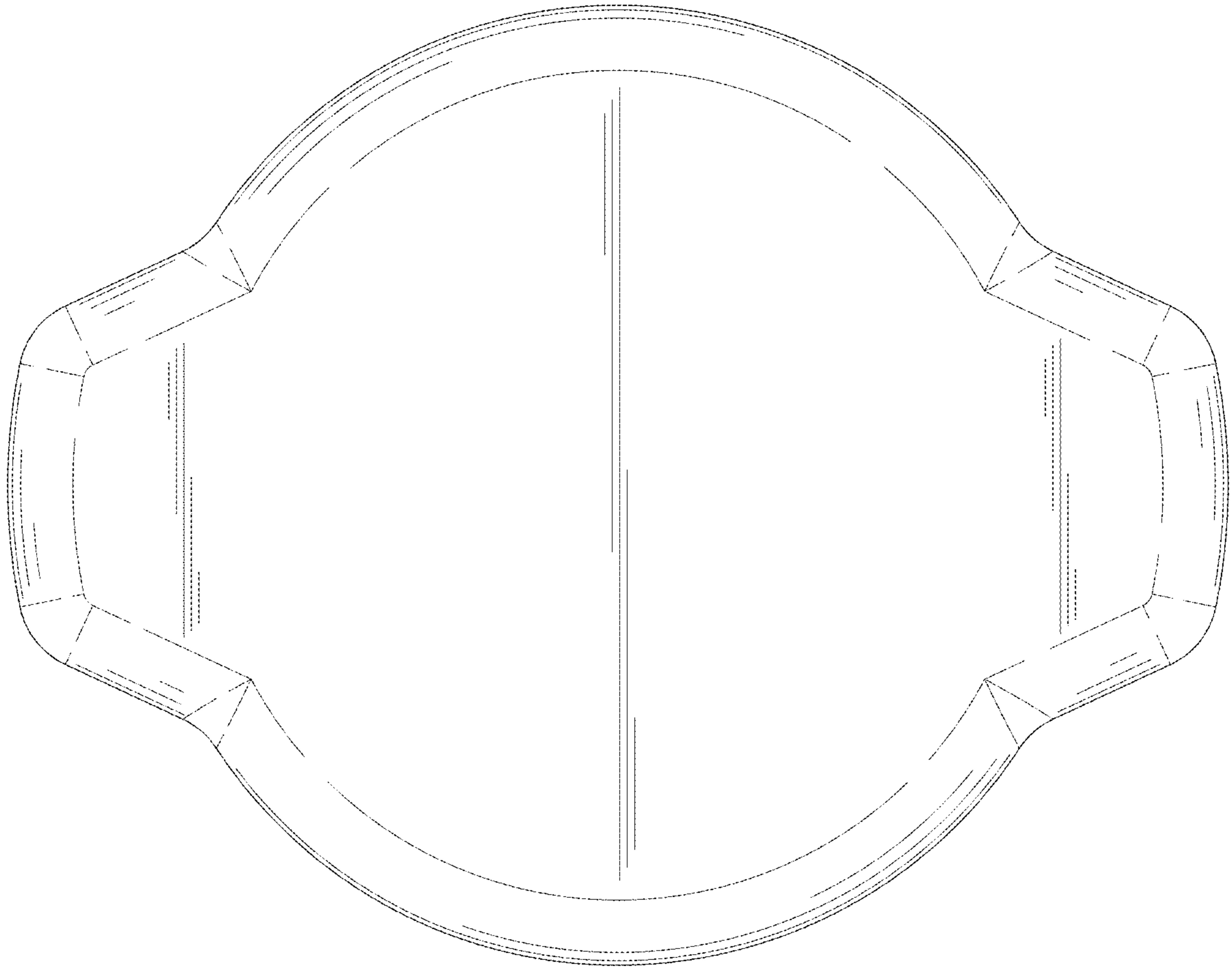


FIG. 7

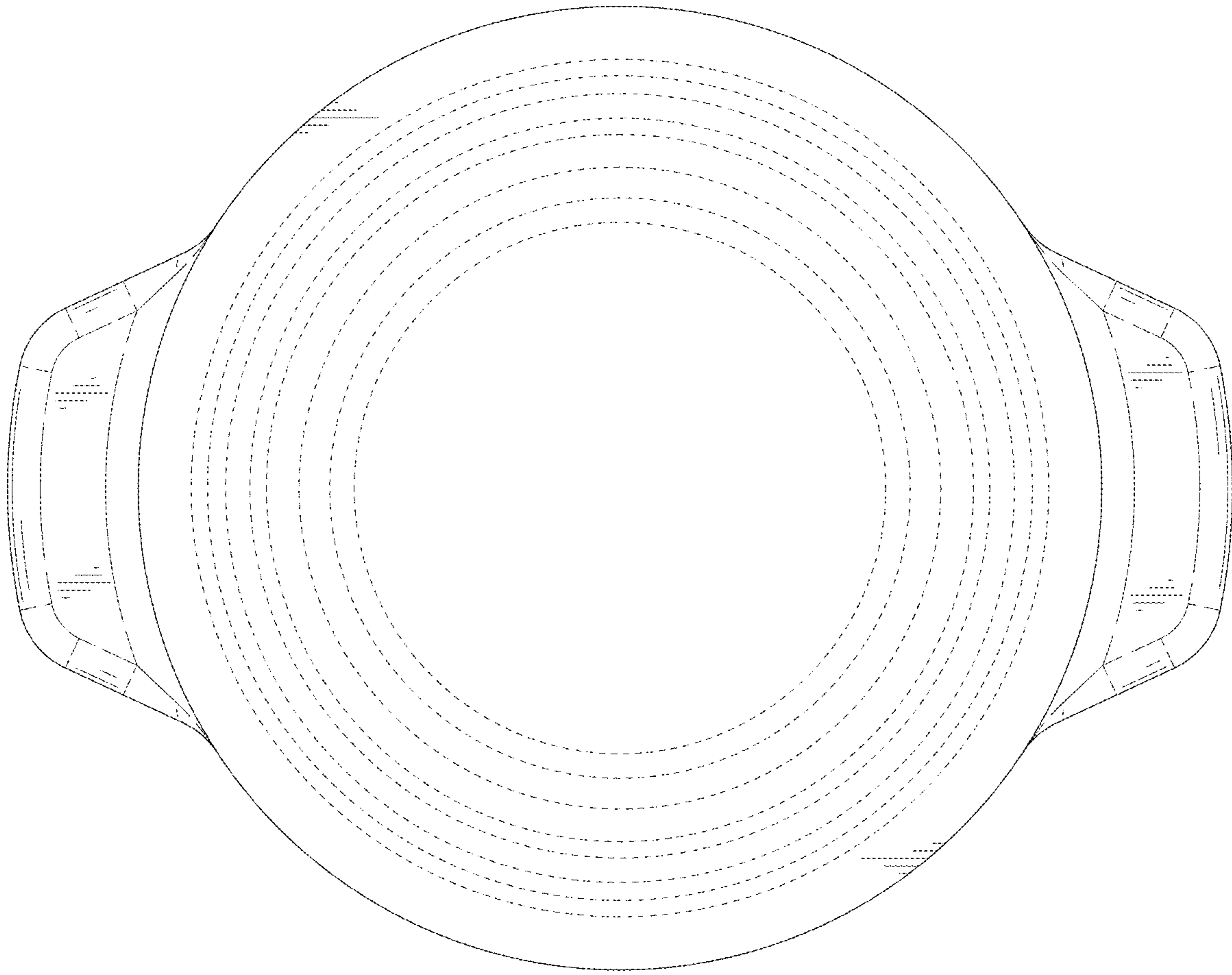


FIG. 8