



US00D966791S

(12) **United States Design Patent**
Chen

(10) **Patent No.:** **US D966,791 S**

(45) **Date of Patent:** **** Oct. 18, 2022**

(54) **BOTTLE LID**

(71) Applicant: **Wenfang Chen**, Xiamen (CN)

(72) Inventor: **Wenfang Chen**, Xiamen (CN)

(**) Term: **15 Years**

(21) Appl. No.: **29/808,631**

(22) Filed: **Sep. 22, 2021**

(51) **LOC (13) Cl.** **07-02**

(52) **U.S. Cl.**
USPC **D7/392.1**

(58) **Field of Classification Search**
USPC D7/312, 313, 316, 387, 392.1, 393,
D7/396.1, 396.2, 397, 398, 400, 391, 392;
D9/434-442, 446, 447, 451, 452, 453,
D9/454; D23/206, 209, 238, 249, 255,
D23/259, 260, 261, 265; D12/197
CPC A47J 31/0673; B65D 85/8046; B65D
2251/0015; B65D 2251/0071; B65D
2251/20; B65D 47/2031; A61J 1/2096;
A61J 1/2051; A61J 1/14

See application file for complete search history.

(56) **References Cited**

U.S. PATENT DOCUMENTS

D271,284 S	*	11/1983	Bainton	D9/449
D272,323 S	*	1/1984	Bainton	D9/449
D275,655 S	*	9/1984	Bainton	D9/449
D375,019 S	*	10/1996	Goto	D7/392.1
D381,243 S	*	7/1997	Goto	D9/449
D591,556 S	*	5/2009	Fuller	D7/396.1
D677,119 S	*	3/2013	Ying	D7/392.1
D717,103 S	*	11/2014	Wilbur	D7/392.1
D756,705 S	*	5/2016	Abrams	D7/532
9,492,033 B2	*	11/2016	Abrams	A47J 41/0055
D815,889 S	*	4/2018	Xu	D7/392.1
D818,310 S	*	5/2018	Cheng	D7/392.1
D872,524 S	*	1/2020	Bo	D7/392.1
D885,120 S	*	5/2020	Yao	D7/392.1
D897,148 S	*	9/2020	Han	D9/449

D899,850 S	*	10/2020	Xie	D7/392.1
D903,403 S	*	12/2020	Ames	D7/392.1
D908,487 S	*	1/2021	Xia	D9/439
D911,099 S	*	2/2021	Volkoff	D7/392.1
D914,441 S	*	3/2021	Zhang	D7/392.1
D915,820 S	*	4/2021	Ni	D7/392.1
D917,953 S		5/2021	Yao		
D922,136 S		6/2021	Lin et al.		

(Continued)

OTHER PUBLICATIONS

TKWide Twist Cap: Announced Sep. 22, 2021 (online). Site Visited (Aug. 23, 2022). Available from Internet URL: <https://www.kleankanteen.com/collections/caps/products/tkwide-twist-cap-with-straw>.*

(Continued)

Primary Examiner — Catherine S Posthauer

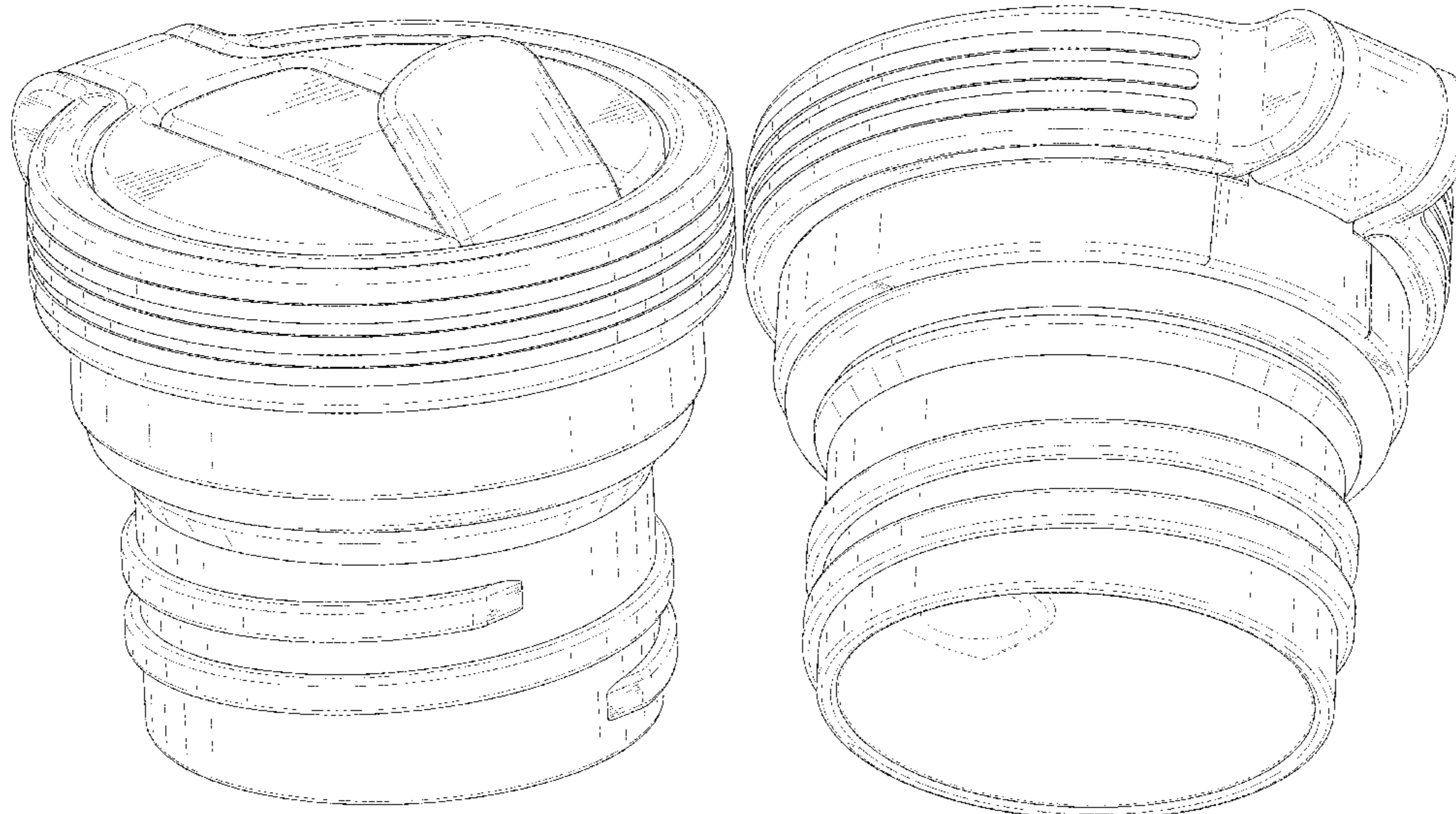
(57) **CLAIM**

The ornamental design for a bottle lid, as shown and described.

DESCRIPTION

FIG. 1 is a perspective view of a bottle lid showing my new design;
FIG. 2 is another perspective view thereof;
FIG. 3 is a front elevational view thereof;
FIG. 4 is a rear elevational view thereof;
FIG. 5 is a left side elevational view thereof;
FIG. 6 is a right side elevational view thereof;
FIG. 7 is a top plan view thereof;
FIG. 8 is a bottom plan view thereof; and,
FIG. 9 is a perspective view of the bottle lid shown in a position of use with an exemplary bottle.
The broken lines are shown for the purpose of illustrating parts of the article as well as environmental subject matter of an exemplary bottle. None of the broken lines for part of the claim.

1 Claim, 9 Drawing Sheets



(56)

References Cited

U.S. PATENT DOCUMENTS

D931,042 S * 9/2021 Burga D7/392.1
D944,053 S * 2/2022 Yao D7/392.1
D949,014 S * 4/2022 Fengke D9/439
D951,009 S * 5/2022 Dean D9/449
D954,494 S * 6/2022 Zhang D7/392.1
D955,809 S * 6/2022 Yao D7/392.1
D957,875 S * 7/2022 Chen D7/392.1

OTHER PUBLICATIONS

Stanley Classic Vacuum Bottle Stopper: Announced [Apr. 9, 2021 (online)]. Site Visited [Aug. 23, 2022]. Available from Internet URL: <https://www.stanley1913.com/products/classic-vacuum-bottle-stopper>.*

CHEETAH Straw Lid: Announced May 6, 2020 (online). Site Visited (Aug. 23, 2022). Available from Internet URL: <https://www.amazon.com/CHEETAH-Rambler-Bottle-Straws-Included/dp/B092HK51RM>.*

* cited by examiner

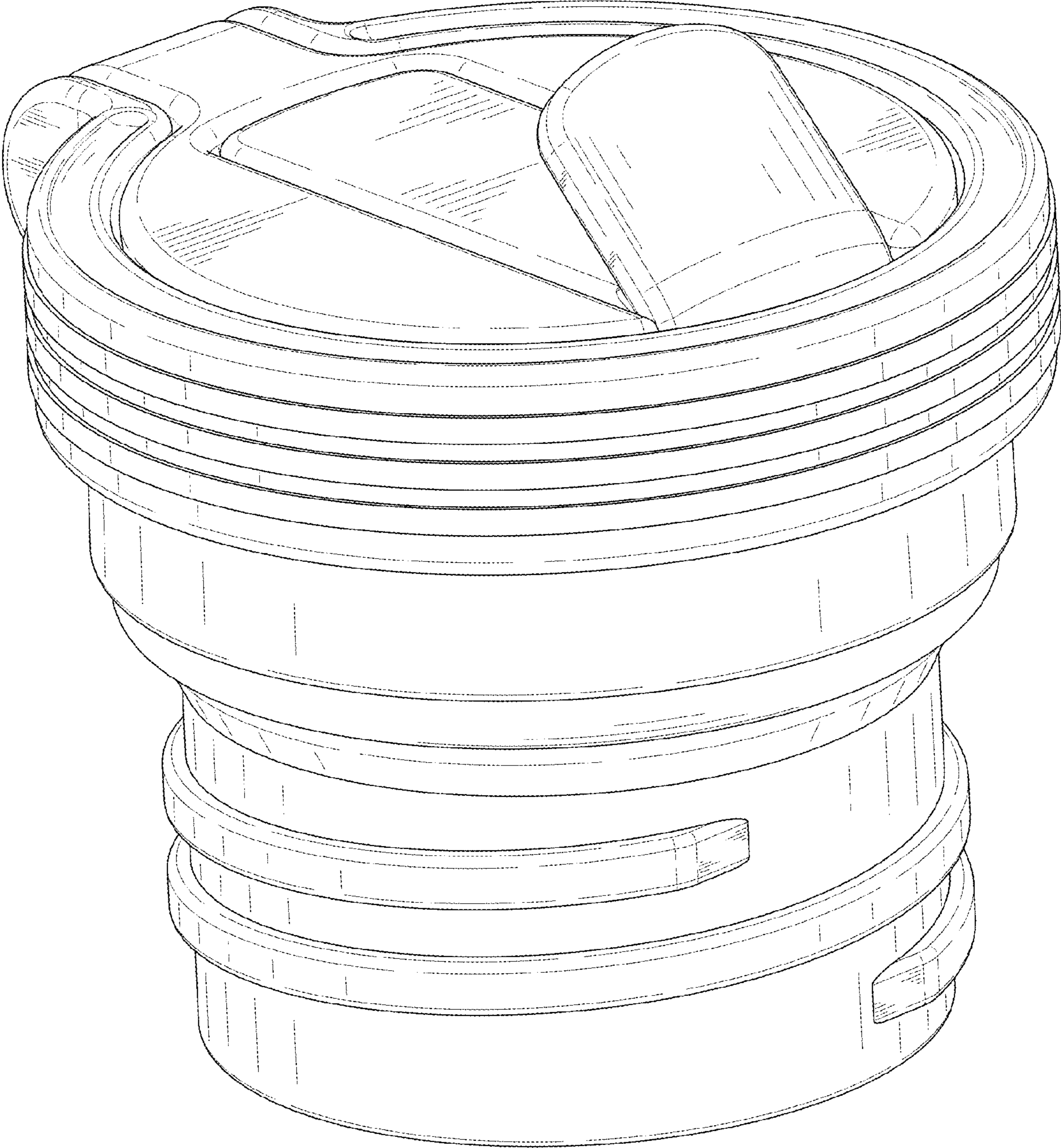


FIG. 1

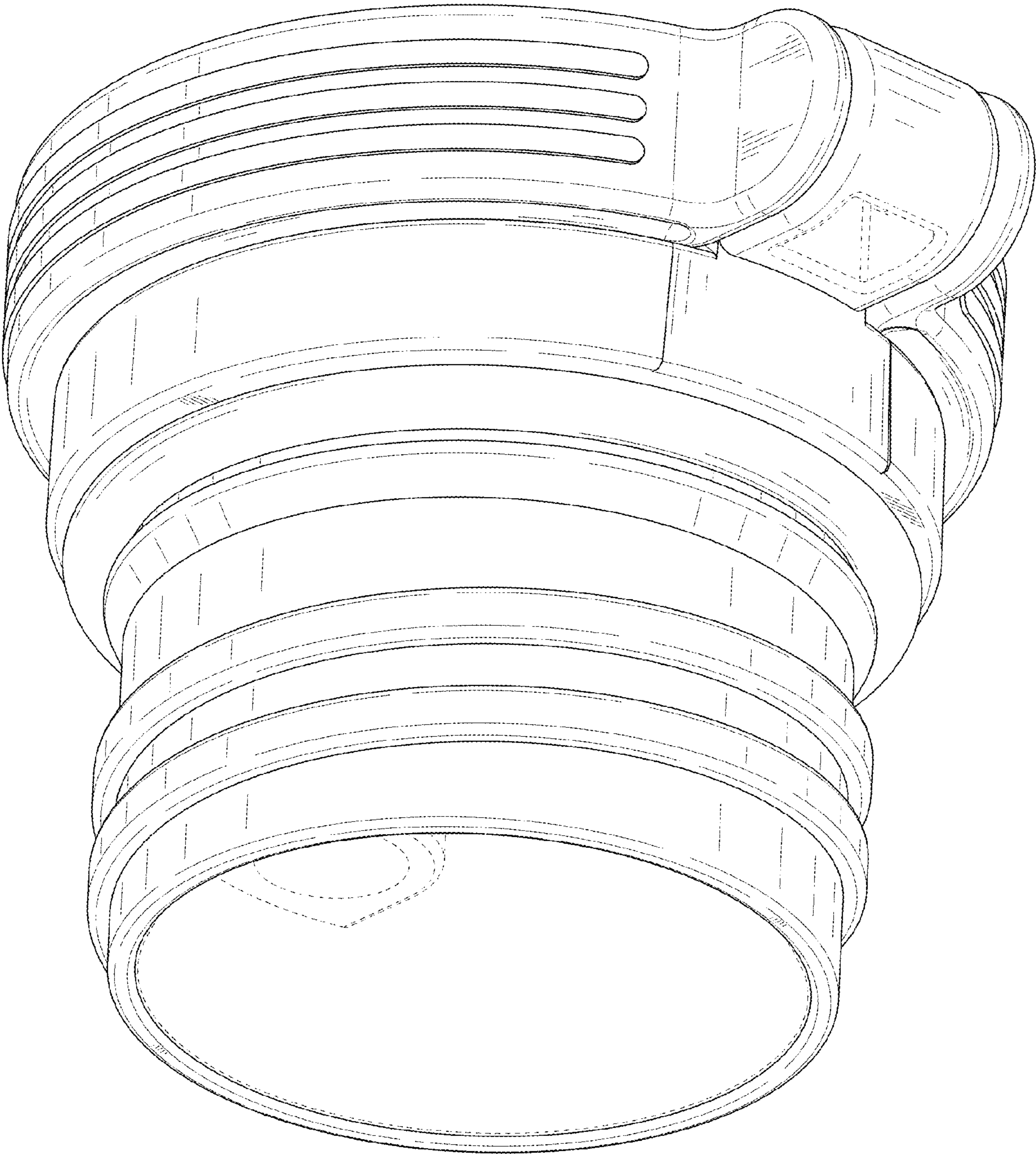


FIG. 2

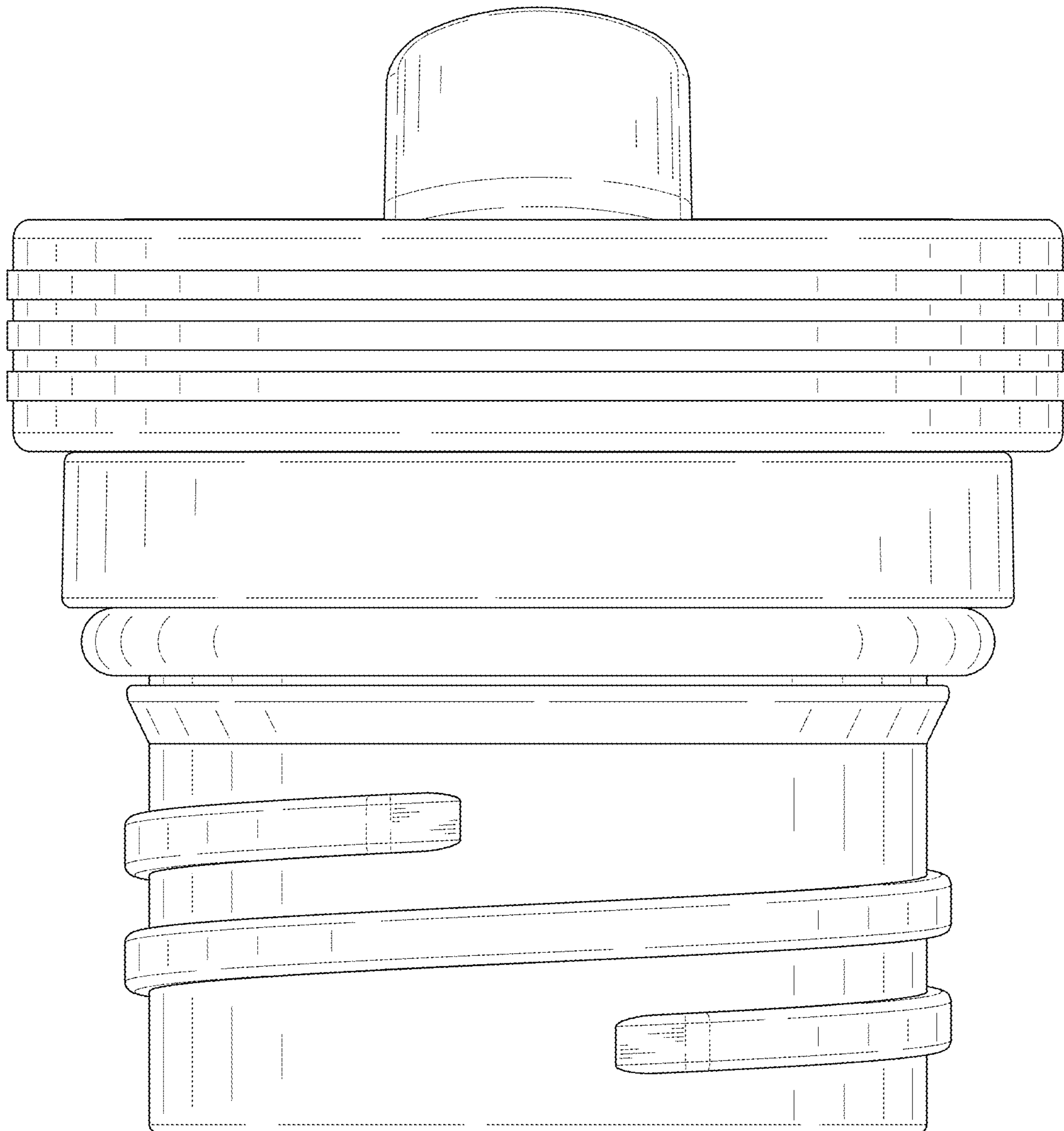


FIG. 3

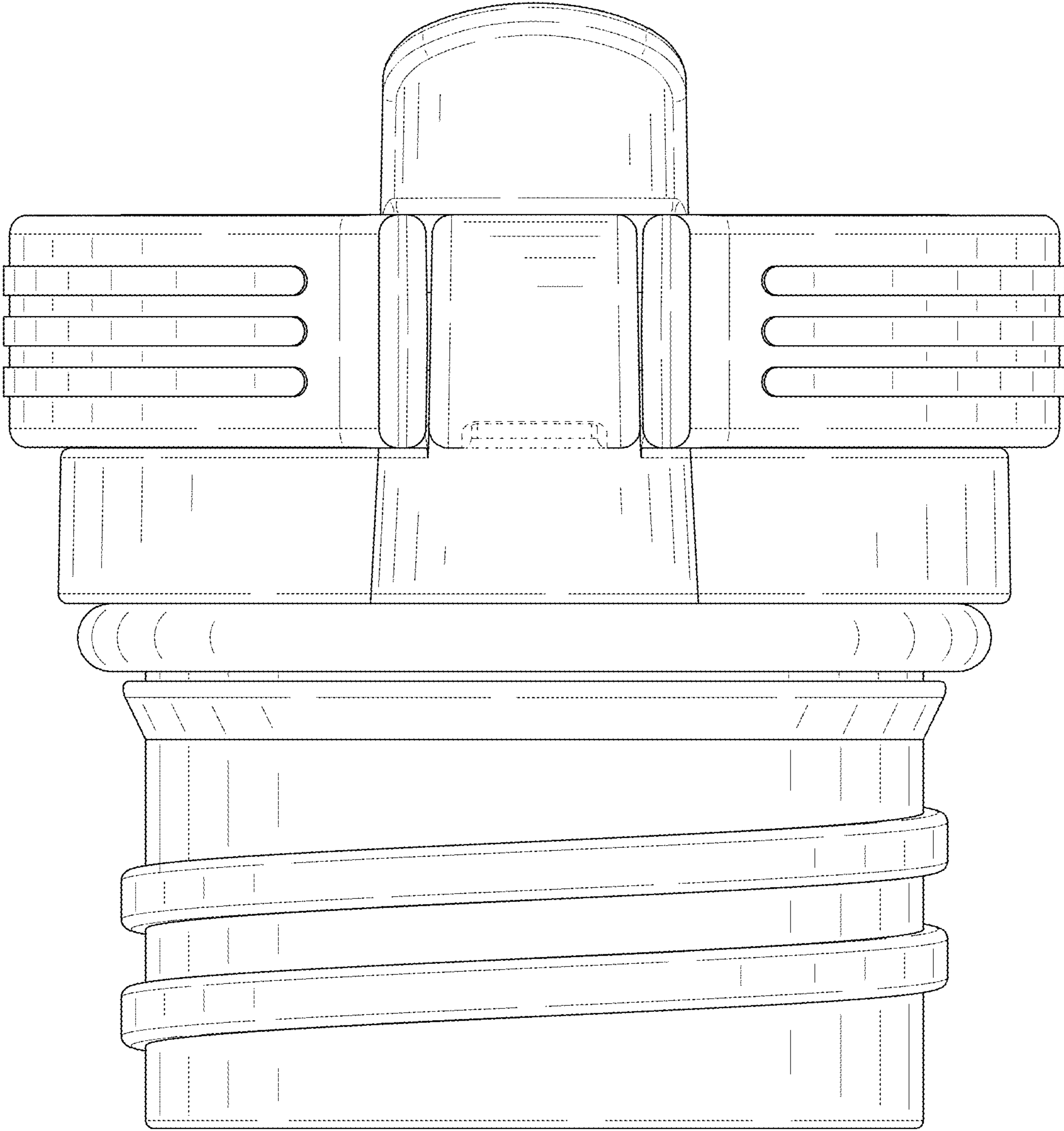


FIG. 4

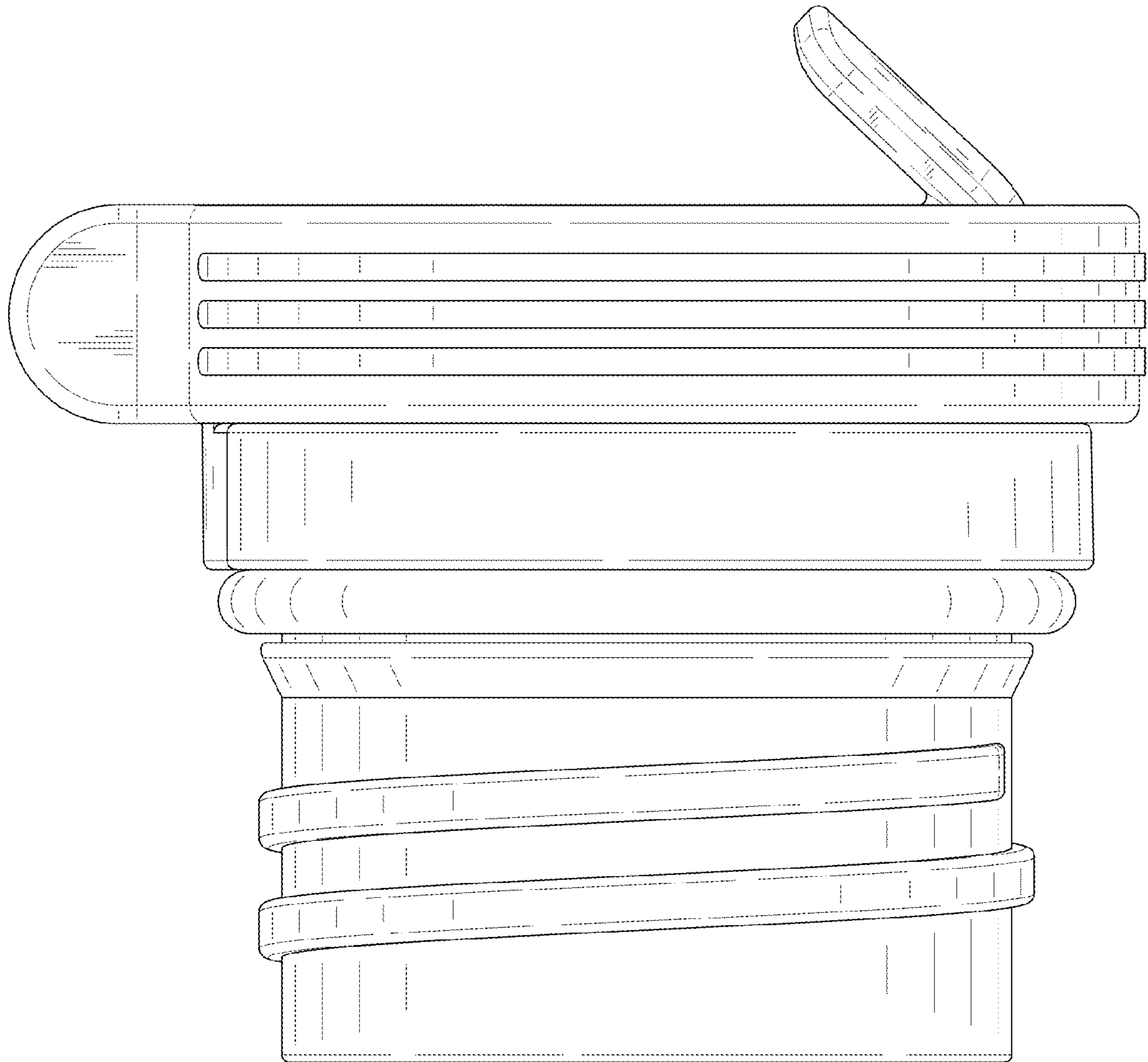


FIG. 5

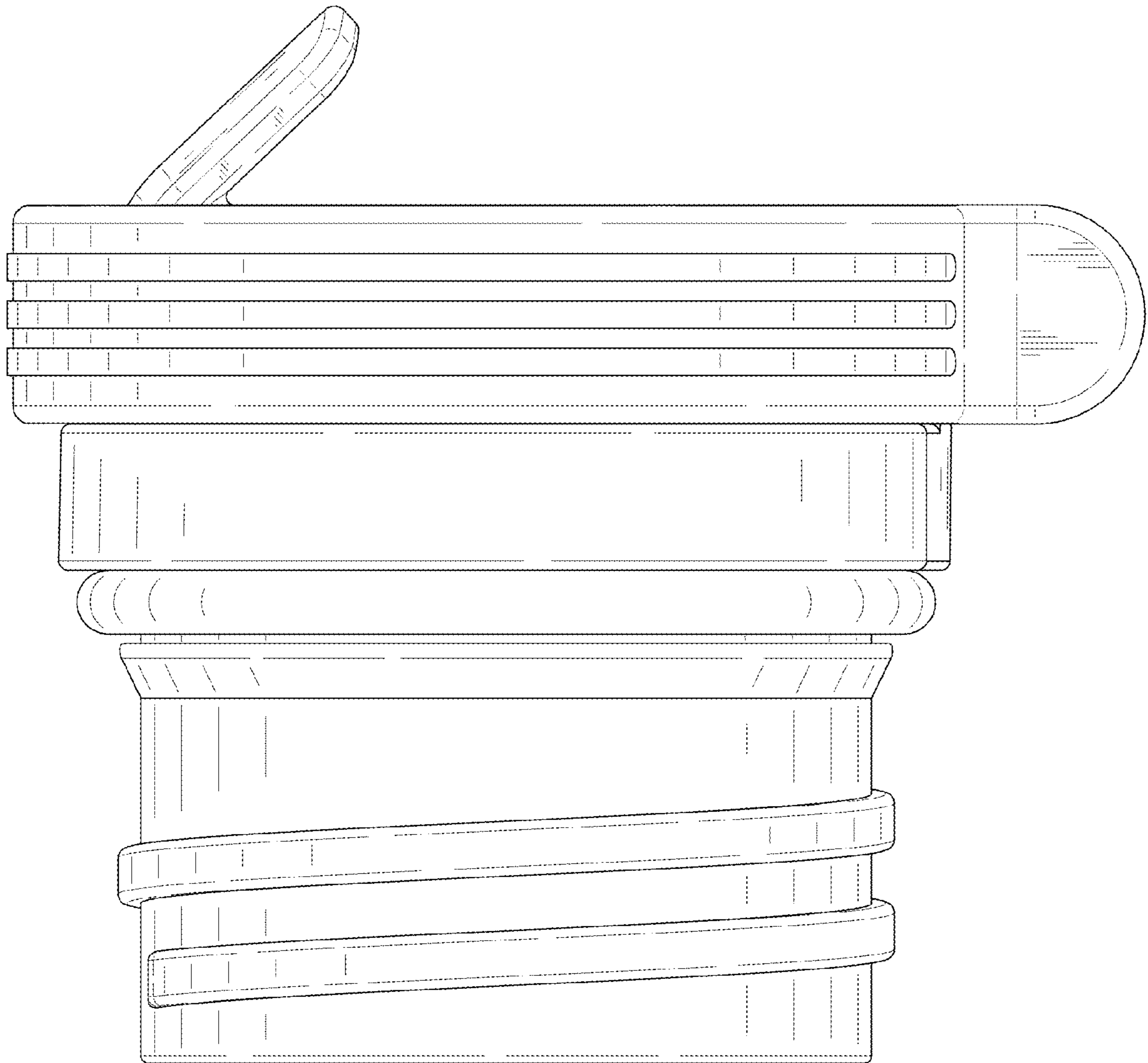


FIG. 6

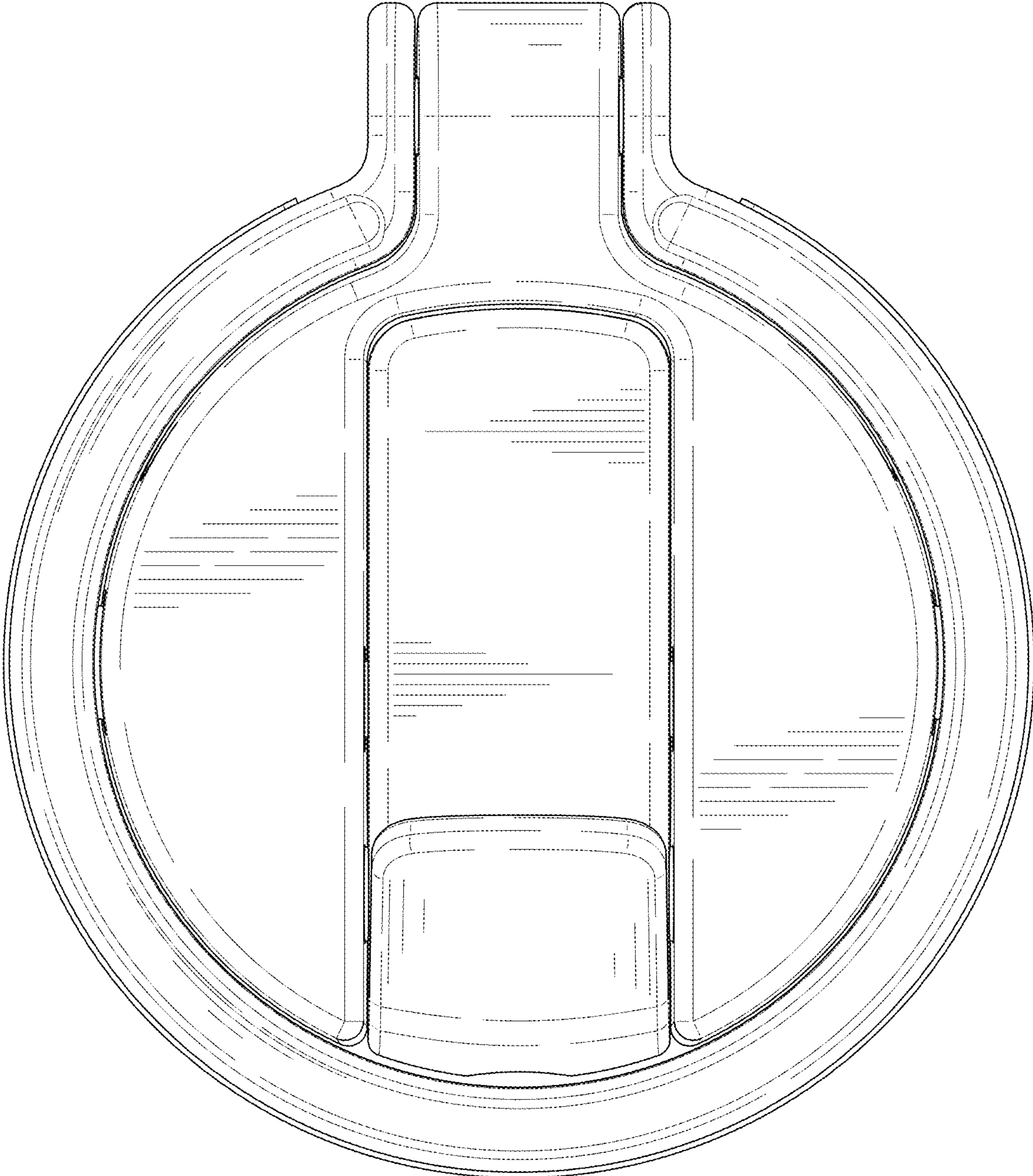


FIG. 7

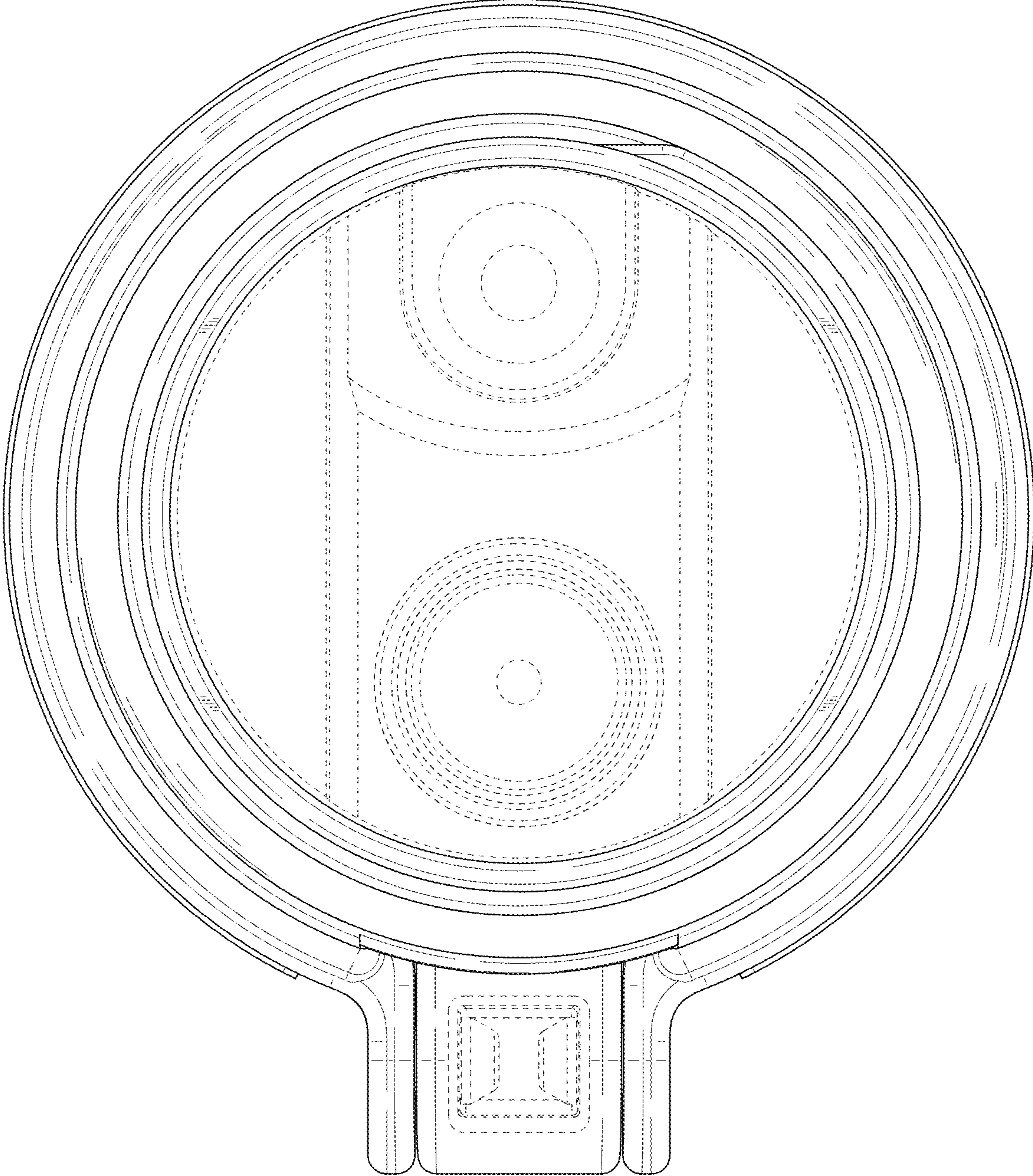


FIG. 8

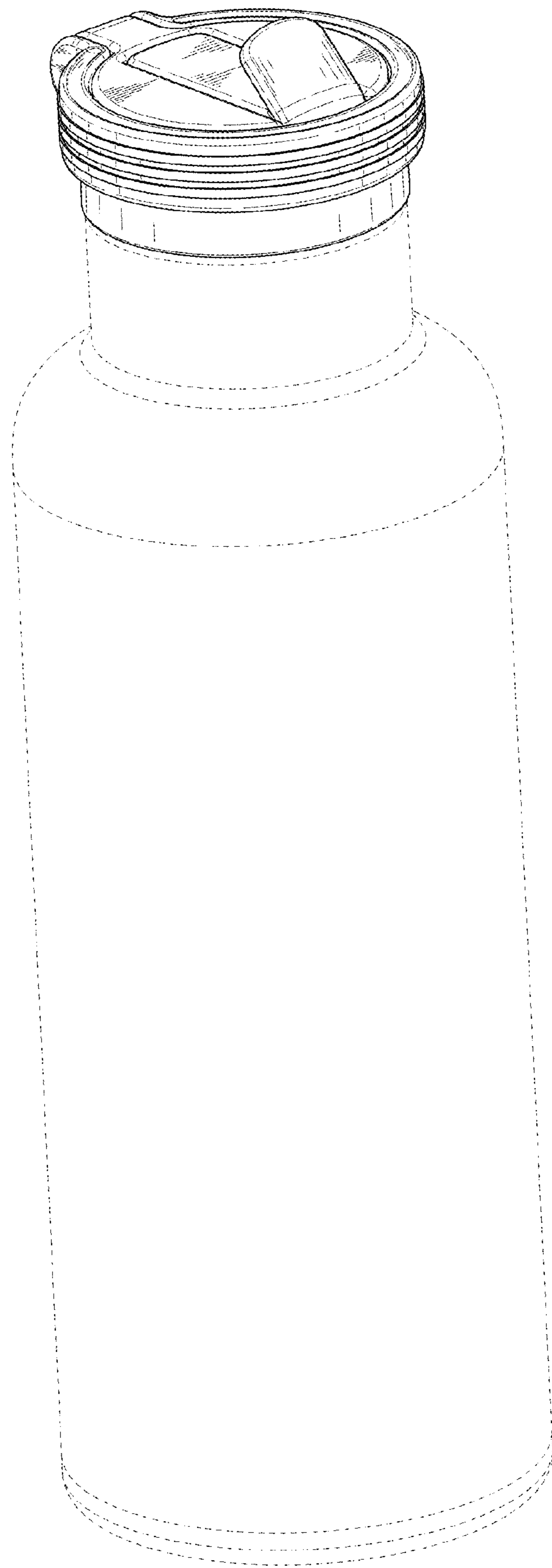


FIG. 9