



US00D966790S

(12) **United States Design Patent** (10) **Patent No.:** **US D966,790 S**  
**Xia et al.** (45) **Date of Patent:** **\*\* Oct. 18, 2022**

(54) **DRINKING BOTTLE LID**  
(71) Applicant: **ZHEJIANG FEIJIAN TECHNOLOGY CO., LTD.**, Jinhua (CN)  
(72) Inventors: **Feijian Xia**, Yongkang (CN); **Chenhan Ouyang**, Anqing (CN)  
(73) Assignee: **ZHEJIANG FEIJIAN TECHNOLOGY CO., LTD.**, Jinhua (CN)  
(\*\*) Term: **15 Years**  
(21) Appl. No.: **29/773,471**  
(22) Filed: **Mar. 9, 2021**  
(51) **LOC (13) Cl.** ..... **07-01**  
(52) **U.S. Cl.**  
USPC ..... **D7/392.1**; D9/449  
(58) **Field of Classification Search**  
USPC ..... D7/507, 509, 510, 511, 533, 536, 392.1, D7/396.1, 396.2, 608, 900, 392; D30/132, 121, 122, 123, 124, 125, 126, D30/127, 128, 129, 130, 131, 133; D9/443, 449, 561; D3/202; D29/125, D29/126  
CPC ..... A47G 19/2205; A47G 23/16; A47G 19/2272; A47J 41/00; A47J 41/02; A47J 41/0077; Y10S 220/903; B65D 21/02; B65D 43/00; B65D 41/00  
See application file for complete search history.

D770,222 S \* 11/2016 Boroski ..... D9/449  
D775,950 S \* 1/2017 Rognard ..... D9/434  
D778,117 S \* 2/2017 Du ..... D7/608  
D780,517 S \* 3/2017 Boroski ..... D7/529  
D787,268 S \* 5/2017 Matsuo ..... D7/510  
D797,513 S \* 9/2017 Matsuo ..... D7/533  
D818,767 S \* 5/2018 Nezu ..... D7/392.1

(Continued)

**FOREIGN PATENT DOCUMENTS**

CN 306529644 \* 5/2021  
CN 306568774 \* 5/2021

(Continued)

**OTHER PUBLICATIONS**

Fidus [online] URL: <https://www.amazon.com/dp/B0868PDTQ1>  
(site visited: Jun. 13, 2022) (Year: 2020).\*

(Continued)

*Primary Examiner* — Jae Liang  
*Assistant Examiner* — Tia Ruth-Renee Polidori

(57) **CLAIM**

The ornamental design for a drinking bottle lid, as shown and described.

**DESCRIPTION**

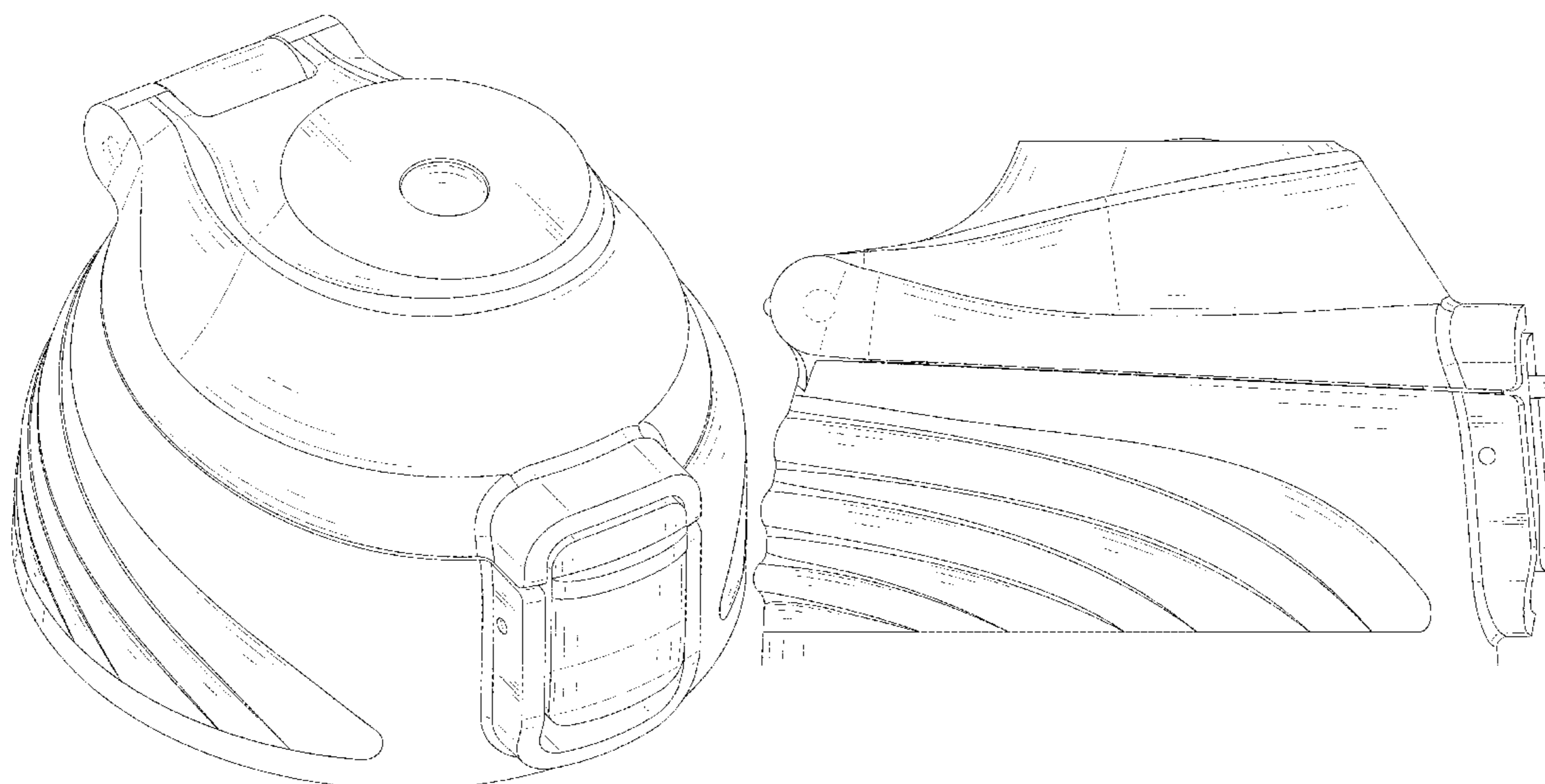
FIG. 1 is a top perspective view of a drinking bottle lid showing our new design;  
FIG. 2 is a bottom perspective view thereof;  
FIG. 3 is a front elevational view thereof;  
FIG. 4 is a rear elevational view thereof;  
FIG. 5 is a left side elevational view thereof;  
FIG. 6 is a right side elevational view thereof;  
FIG. 7 is a top plan view thereof; and,  
FIG. 8 is a bottom plan view thereof.

The broken lines in the drawings depict portions of the drinking bottle lid that form no part of the claimed design.

**1 Claim, 8 Drawing Sheets**

(56) **References Cited**  
**U.S. PATENT DOCUMENTS**

D590,661 S \* 4/2009 Kitamura ..... D7/510  
D619,418 S \* 7/2010 Nezu ..... D7/510  
RE42,484 E \* 6/2011 Kitamura ..... D7/510  
D655,581 S \* 3/2012 Kotani ..... D7/608  
D668,503 S \* 10/2012 Kotani ..... D7/392.1  
D747,918 S \* 1/2016 Herbst ..... D7/392.1



(56)

**References Cited**

U.S. PATENT DOCUMENTS

D842,645	S	*	3/2019	Horimoto	.....	D7/391
D848,787	S	*	5/2019	Tatsukawa	.....	D7/392.1
D853,784	S	*	7/2019	Wu	.....	D7/392.1
D869,230	S	*	12/2019	Hao	.....	D9/449
D892,557	S	*	8/2020	Wang	.....	D7/510
D892,558	S	*	8/2020	Wang	.....	D7/529
D902,648	S	*	11/2020	Wang	.....	D9/449
D909,128	S	*	2/2021	Hu	.....	D7/396.2
D915,199	S	*	4/2021	Berge	.....	D9/449
D942,212	S	*	2/2022	Zhou	.....	D7/392.1
D942,808	S	*	2/2022	Wang	.....	D7/392.1
D943,343	S	*	2/2022	Wang	.....	D7/392.1
D947,597	S	*	4/2022	Shi	.....	D7/392.1
D951,702	S	*	5/2022	Chen	.....	D9/449
D951,713	S	*	5/2022	Qiu	.....	D7/510
D953,797	S	*	6/2022	Ge	.....	D7/392.1
2017/0267423	A1	*	9/2017	Maruyama	.....	A47G 19/2288

FOREIGN PATENT DOCUMENTS

CN	306879654	*	10/2021
CN	306898551	*	10/2021
CN	307017337	*	12/2021
JP	D1677585	*	1/2021

OTHER PUBLICATIONS

Hyeta [online] URL: <https://www.amazon.com/dp/B097QNWRGM>  
 (site visited: Jun. 13, 2022) (Year: 2021).\*

\* cited by examiner

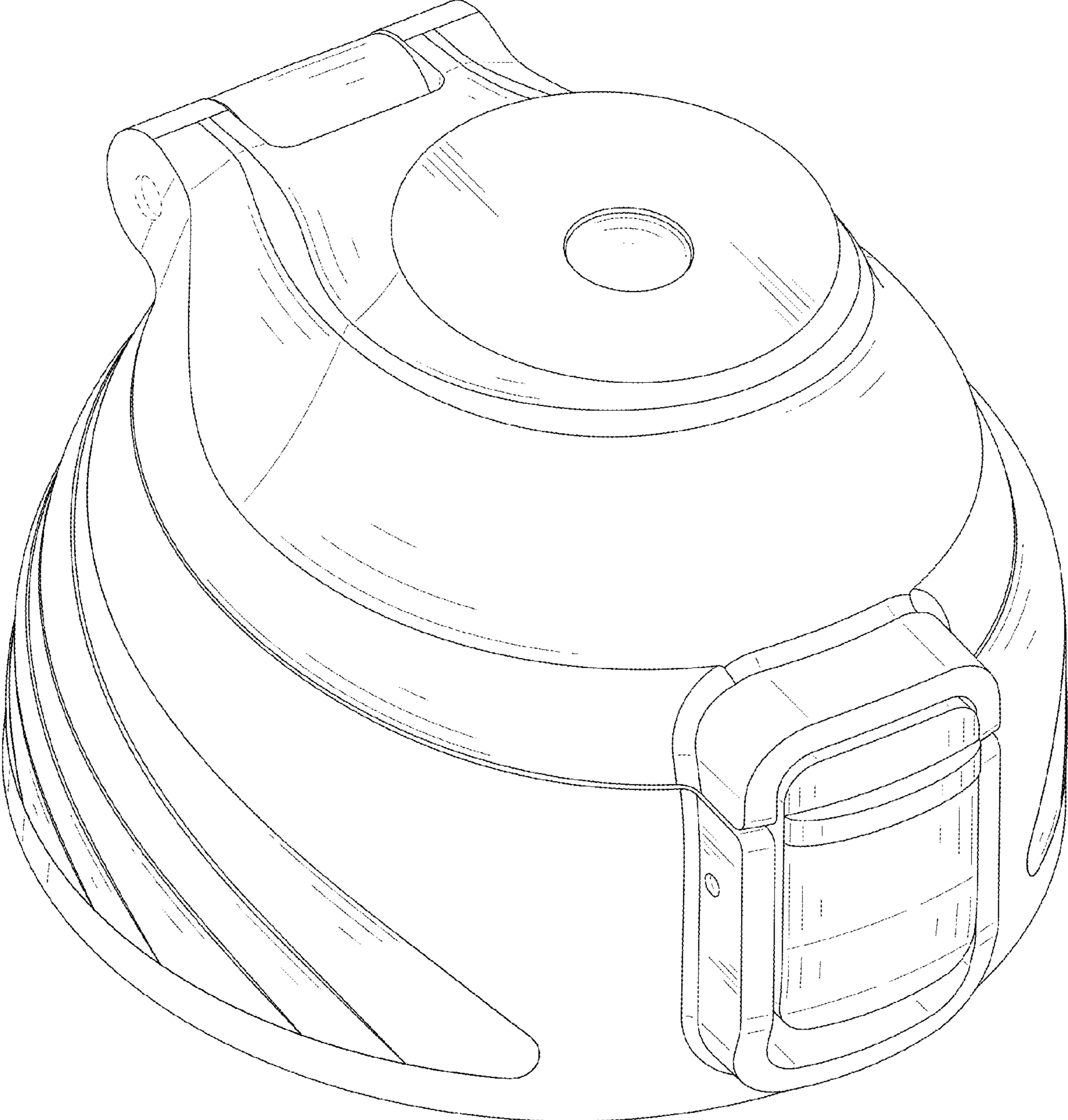


FIG. 1



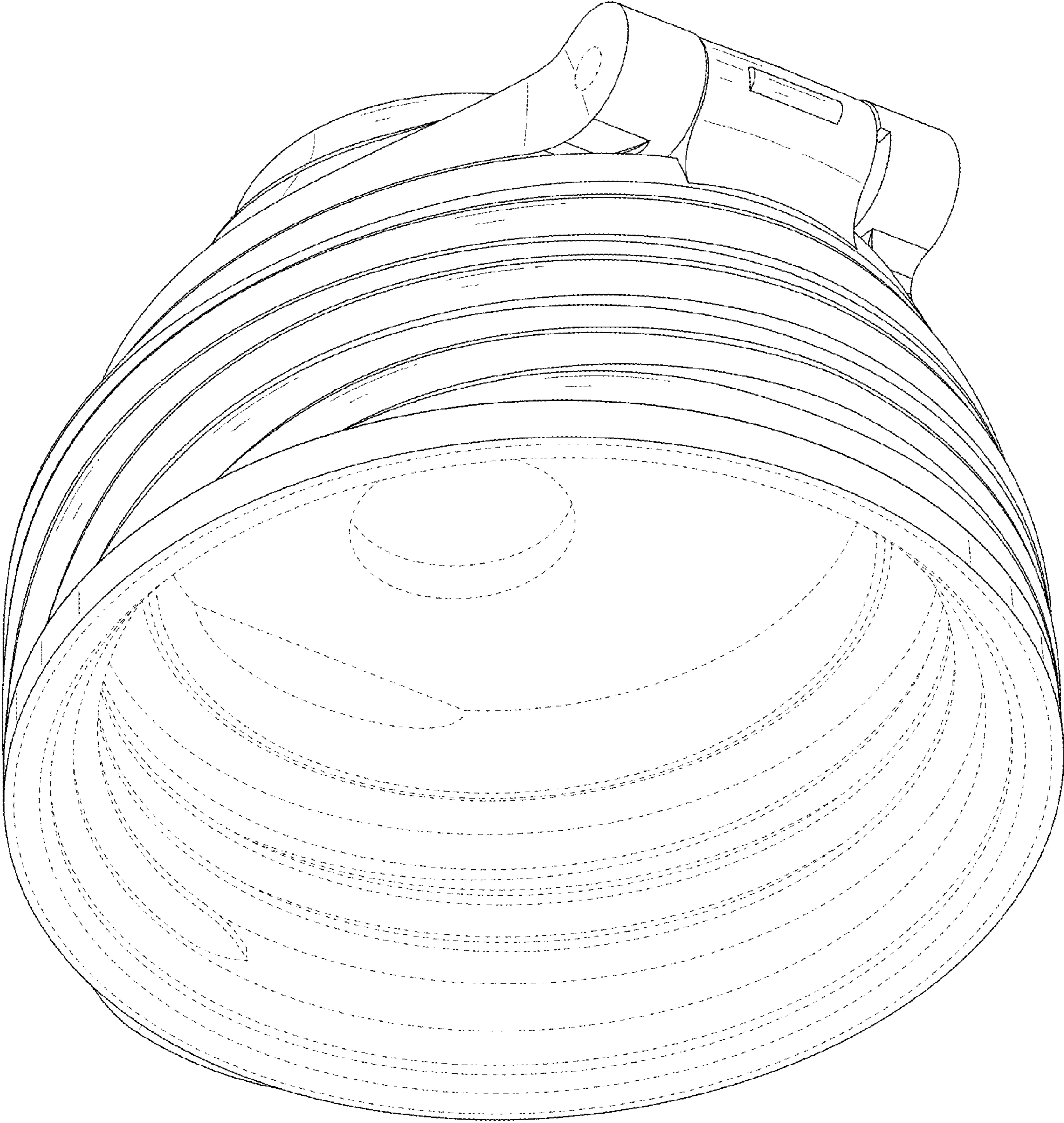


FIG. 2

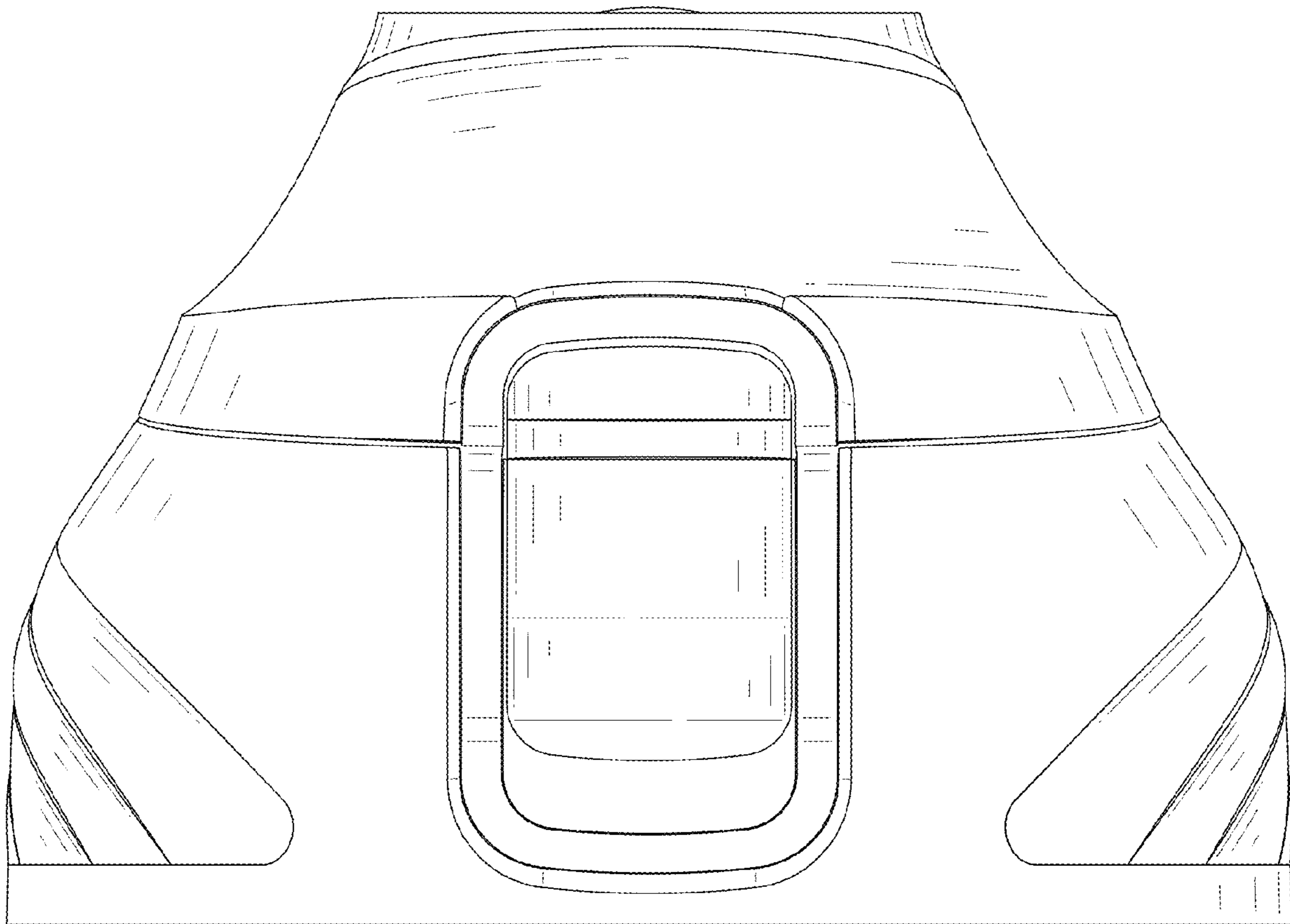


FIG. 3

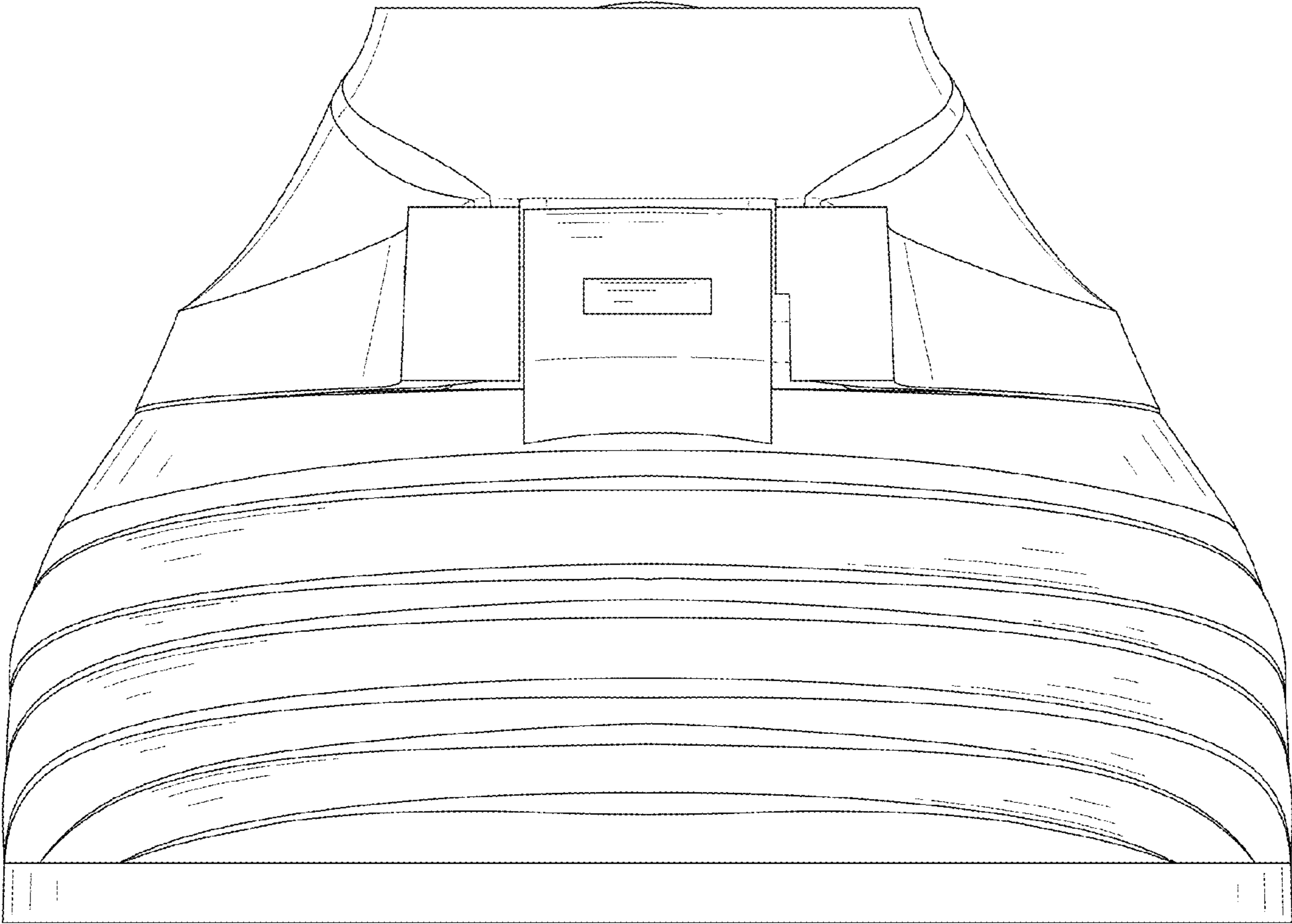


FIG. 4

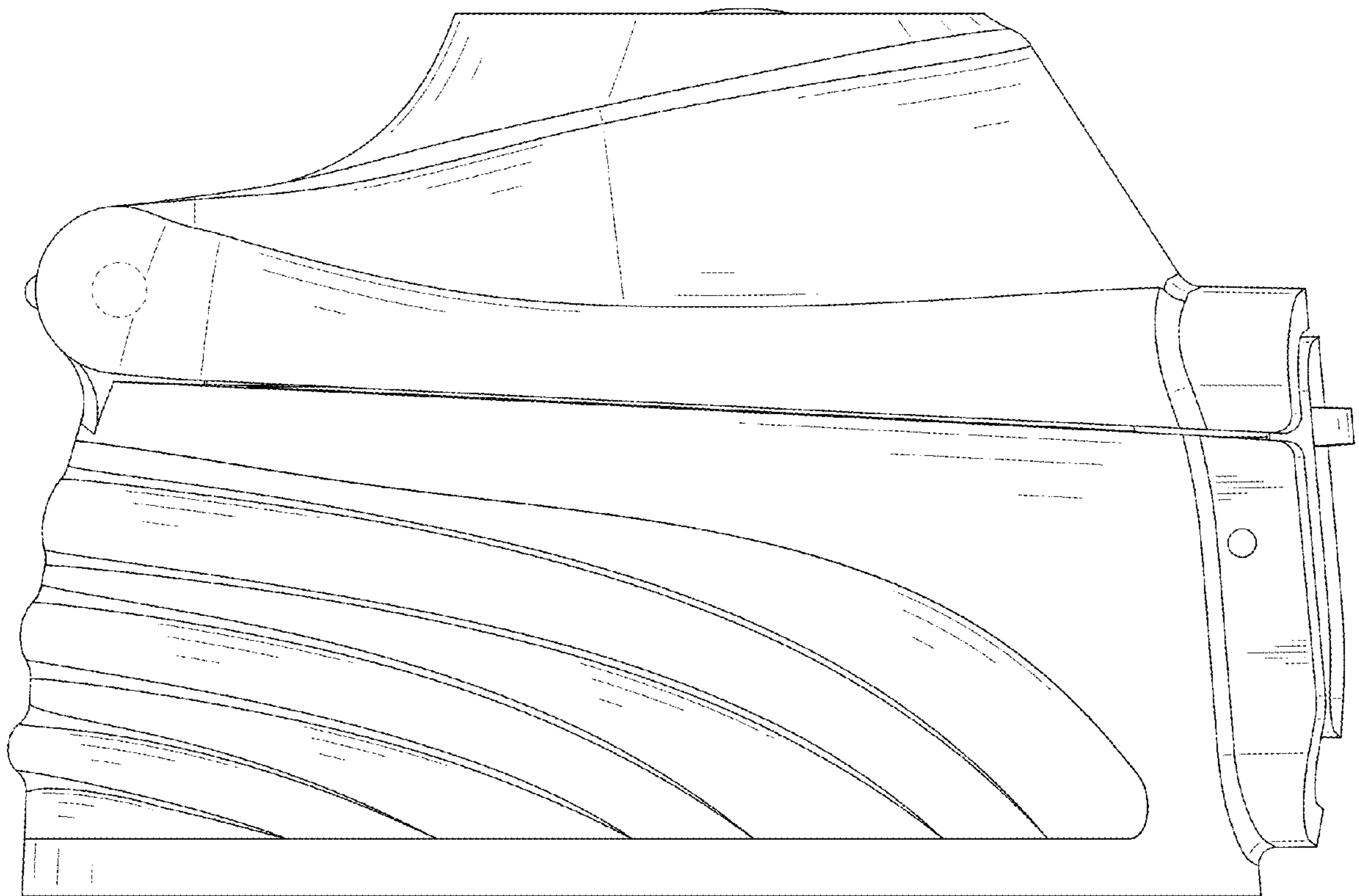


FIG. 5

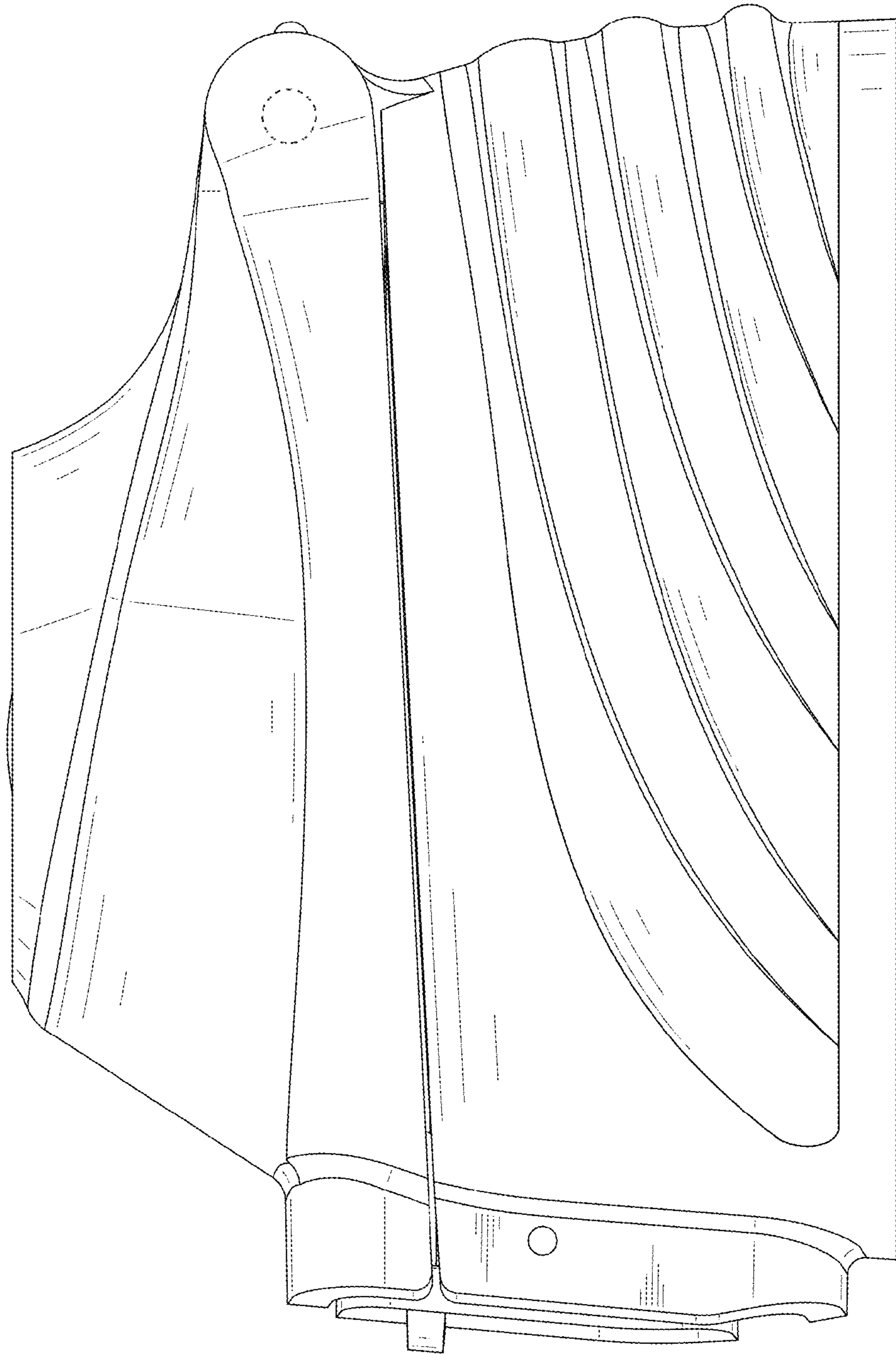


FIG. 6



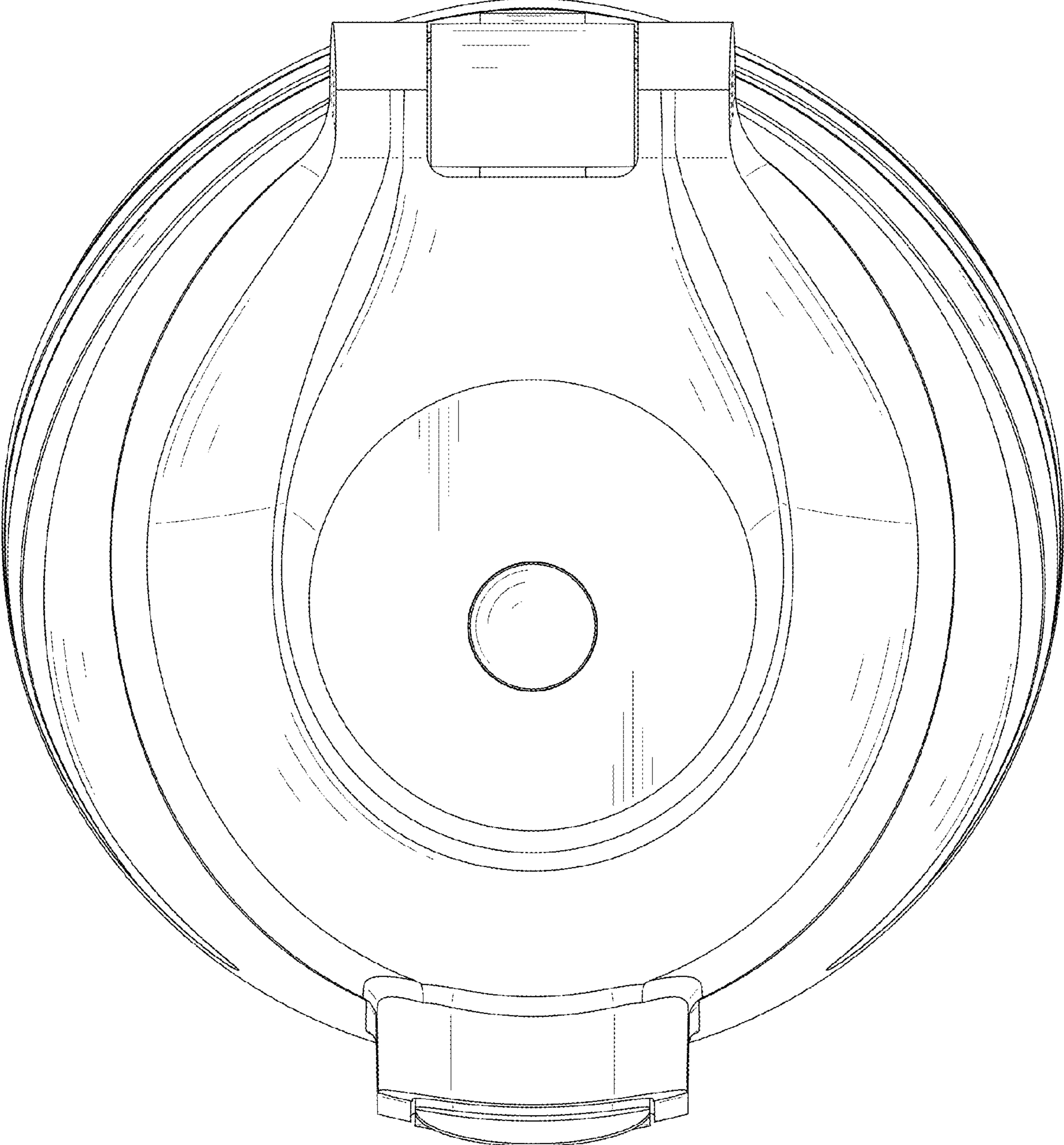


FIG. 7

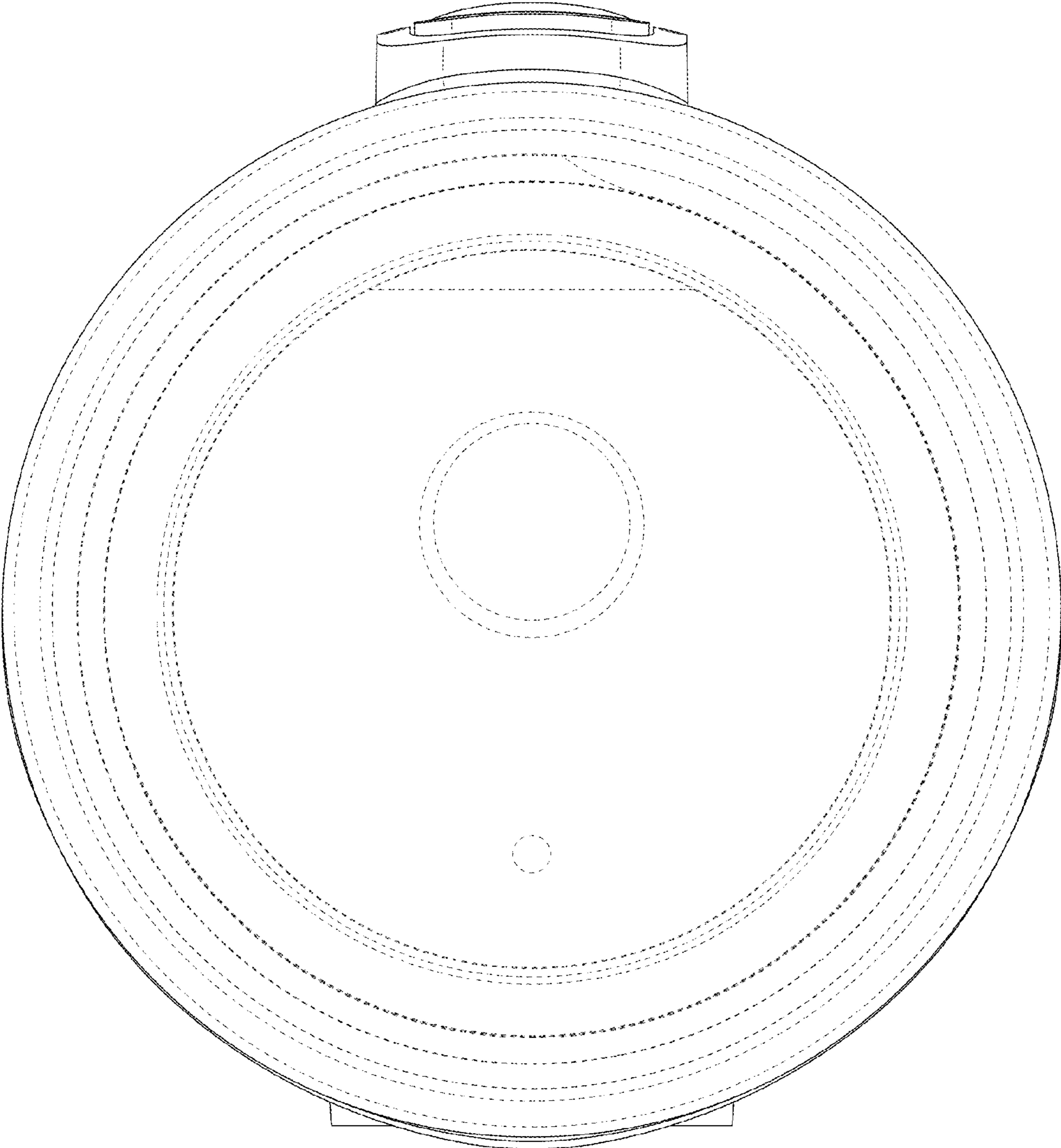


FIG. 8