

US00D966789S

(12) **United States Design Patent**
Hove

(10) **Patent No.:** **US D966,789 S**

(45) **Date of Patent:** **** Oct. 18, 2022**

(54) **POUR SPOUT MASON JAR LID WITH SCREW CLOSURE**

(71) Applicant: **Kyle Lee Hove**, Cove, OR (US)

(72) Inventor: **Kyle Lee Hove**, Cove, OR (US)

(**) Term: **15 Years**

(21) Appl. No.: **29/652,949**

(22) Filed: **Jan. 18, 2021**

Related U.S. Application Data

(63) Continuation of application No. 16/863,776, filed on Apr. 30, 2020.

(51) **LOC (13) Cl.** **07-99**

(52) **U.S. Cl.**
USPC **D7/392.1**

(58) **Field of Classification Search**
USPC D7/387, 391, 392, 392.1, 396.1, 396.2, D7/397; D9/434, 435, 436, 443, 447, D9/448, 449, 439, 440, 454
CPC A45F 3/18; C02F 2201/3222; B65D 2251/0003; B65D 2251/0015; B65D 2251/0078; B65D 2251/08; B65D 47/0885; B65D 47/0876; A47G 19/2272

See application file for complete search history.

(56) **References Cited**

U.S. PATENT DOCUMENTS

D461,361 S *	8/2002	Orr	D7/392.1
D682,016 S *	5/2013	Knight	D7/392.1
D682,612 S *	5/2013	Rzepecki	D9/449
D747,624 S *	1/2016	Walker	D7/392.1
D748,430 S *	2/2016	Sorensen	D9/449
D748,478 S *	2/2016	Sorensen	D9/449
D820,635 S *	6/2018	Hammer	D7/392.1
D831,414 S *	10/2018	Diener	D7/392.1
D847,563 S *	5/2019	Jacobsen	D7/396.2
D856,067 S *	8/2019	Barber	D7/392.1

D862,977 S *	10/2019	Bohman	D7/392.1
D870,509 S *	12/2019	Bo	D7/392.1
D879,550 S *	3/2020	Lane	D7/392
D884,418 S *	5/2020	Wang	D7/396.2
D886,518 S *	6/2020	Li	D7/392.1

(Continued)

OTHER PUBLICATIONS

Country Line Kitchen Mason Jar Flip Cap: Announced Jul. 6, 2018 (online). Site Visited [May 6, 2022]. Available from Internet URL: <https://www.amazon.com/County-Line-Kitchen-Leak-Proof-Innovative/dp/B0776YQTLS?th=1>.*

(Continued)

Primary Examiner — Catherine S Posthauer

(74) *Attorney, Agent, or Firm* — Dunlap Bennett & Ludwig, PLLC; Anna L. Kinney

(57) **CLAIM**

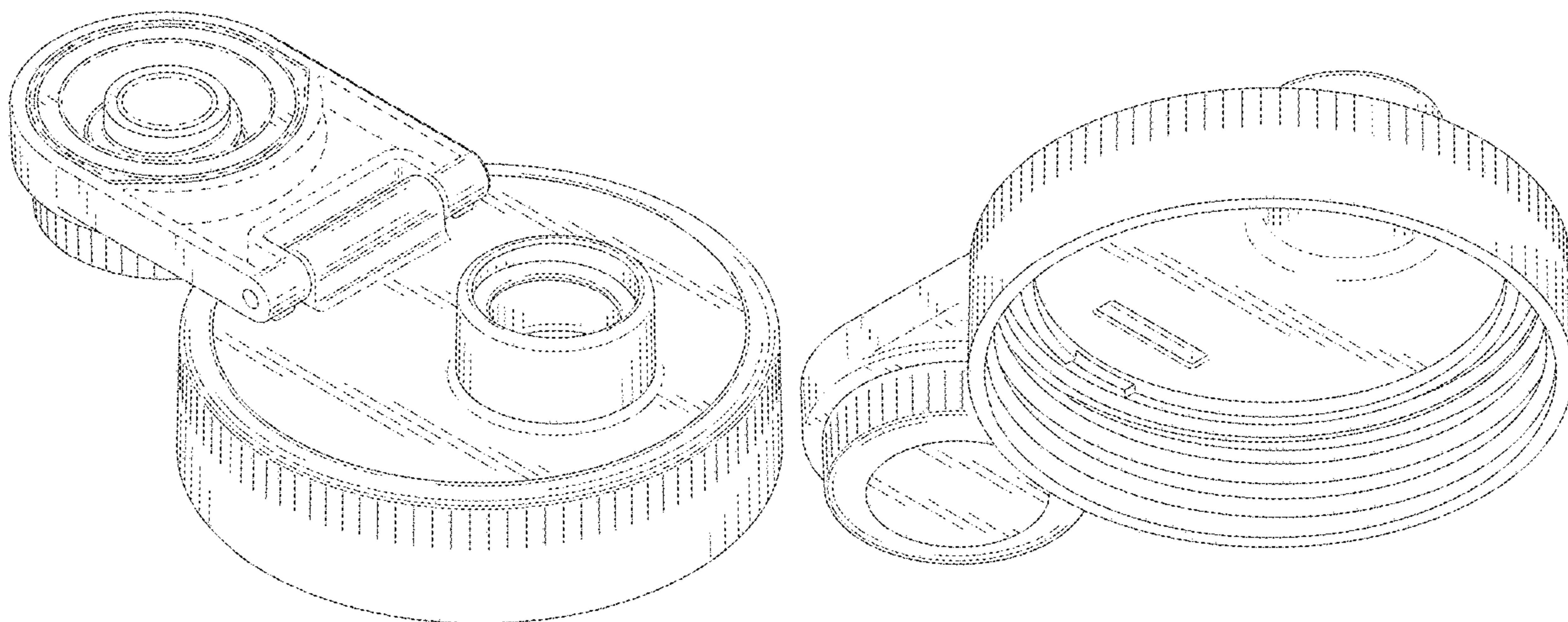
The ornamental design for a pour spout mason jar lid with screw closure, as shown and described.

DESCRIPTION

FIG. 1 is a top front perspective view of a pour spout mason jar lid with screw closure, showing my new design; FIG. 2 is a bottom front perspective view thereof; FIG. 3 is a front elevation view thereof, the rear elevation view being a mirror image thereof; FIG. 4 is a right elevation view thereof; FIG. 5 is a left elevation view thereof; FIG. 6 is a top plan view thereof; FIG. 7 is a bottom plan view thereof; and, FIG. 8 is a top front perspective view thereof, shown in a closed condition.

The broken lines shown in the drawings depict portions of the article that form no part of the claimed invention. The dot-dash lines represent the boundaries of the claim and form no part thereof.

1 Claim, 4 Drawing Sheets



(56)

References Cited

U.S. PATENT DOCUMENTS

D887,202 S * 6/2020 Wadsworth D9/449
D894,670 S * 9/2020 Adams, Jr. D7/392.1
D895,352 S * 9/2020 Yao D7/392.1
D900,536 S * 11/2020 Yao D7/392.1
D922,136 S * 6/2021 Lin D9/449
D922,137 S * 6/2021 Chen D9/449
D944,052 S * 2/2022 Yao D7/392.1
D944,591 S * 3/2022 Yao D7/392.1
D946,965 S * 3/2022 Sapire D7/392.1
2018/0170630 A1 * 6/2018 Ayriss A47G 19/2272

OTHER PUBLICATIONS

Mason Jar Lids: Announced Oct. 27, 2020 (online). Site Visited [May 6, 2022]. Available from Internet URL: https://www.amazon.com/Mason-Jar-Lids-Wide-Mouth-Pour-Spout/dp/B08MKSFG1X/ref=sr_1_16?crid=1VR2Q7J9MHRNC&keywords=Flip%2Btop%E2%80%A6+1%2F12&th=1.*

Masontops Multi Top: Announced Jun. 25, 2021 (online). Site Visited [May 6, 2022]. Available from Internet URL: https://www.amazon.com/Masontops-Multi-Top-Regular-Accessories/dp/B097YRWZLX/ref=sr_1_49?crid=N3B42NWT2WQ&keywords=Lid%2Bfor%2%E2%80%A6%201/11.*

* cited by examiner

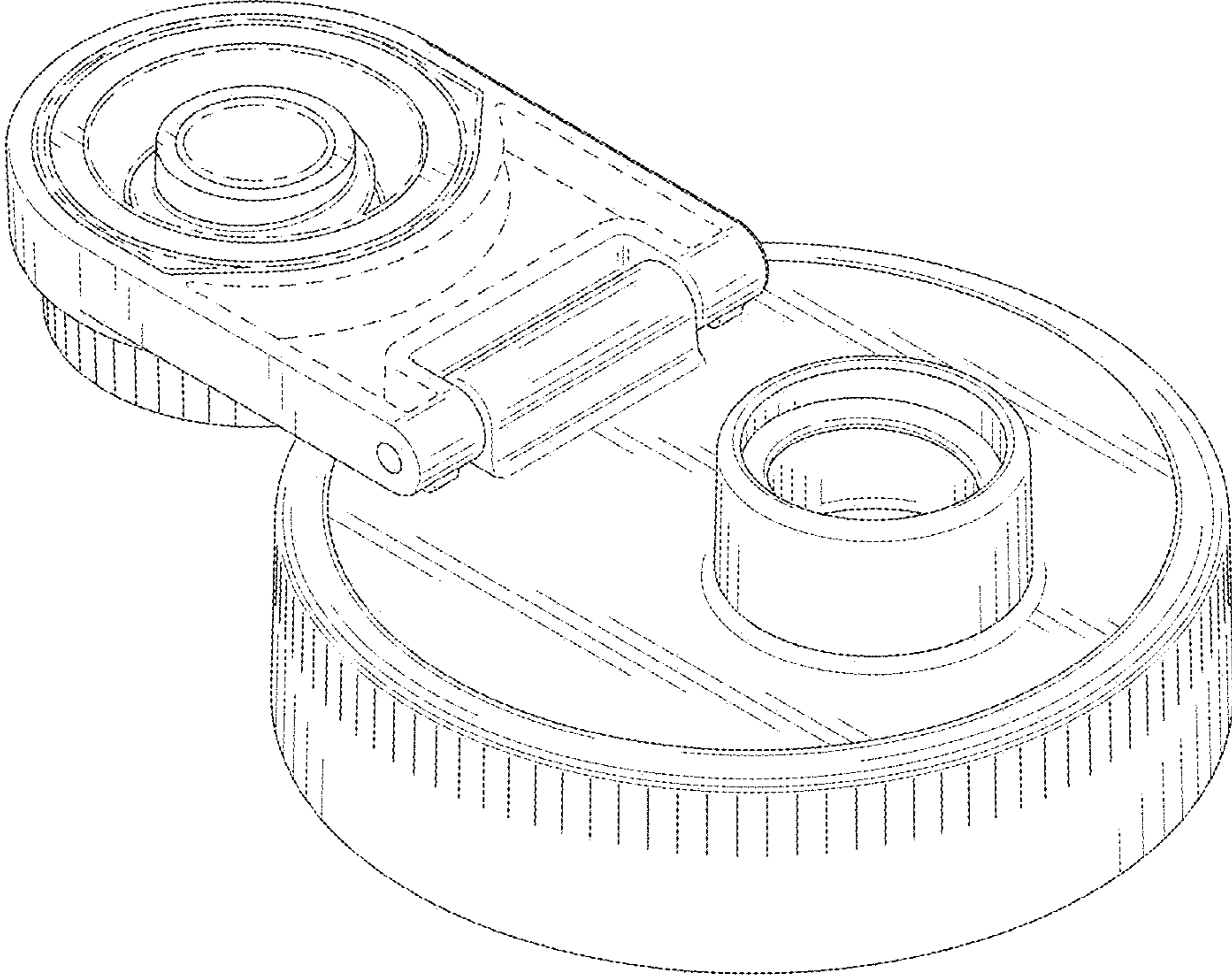


FIG. 1

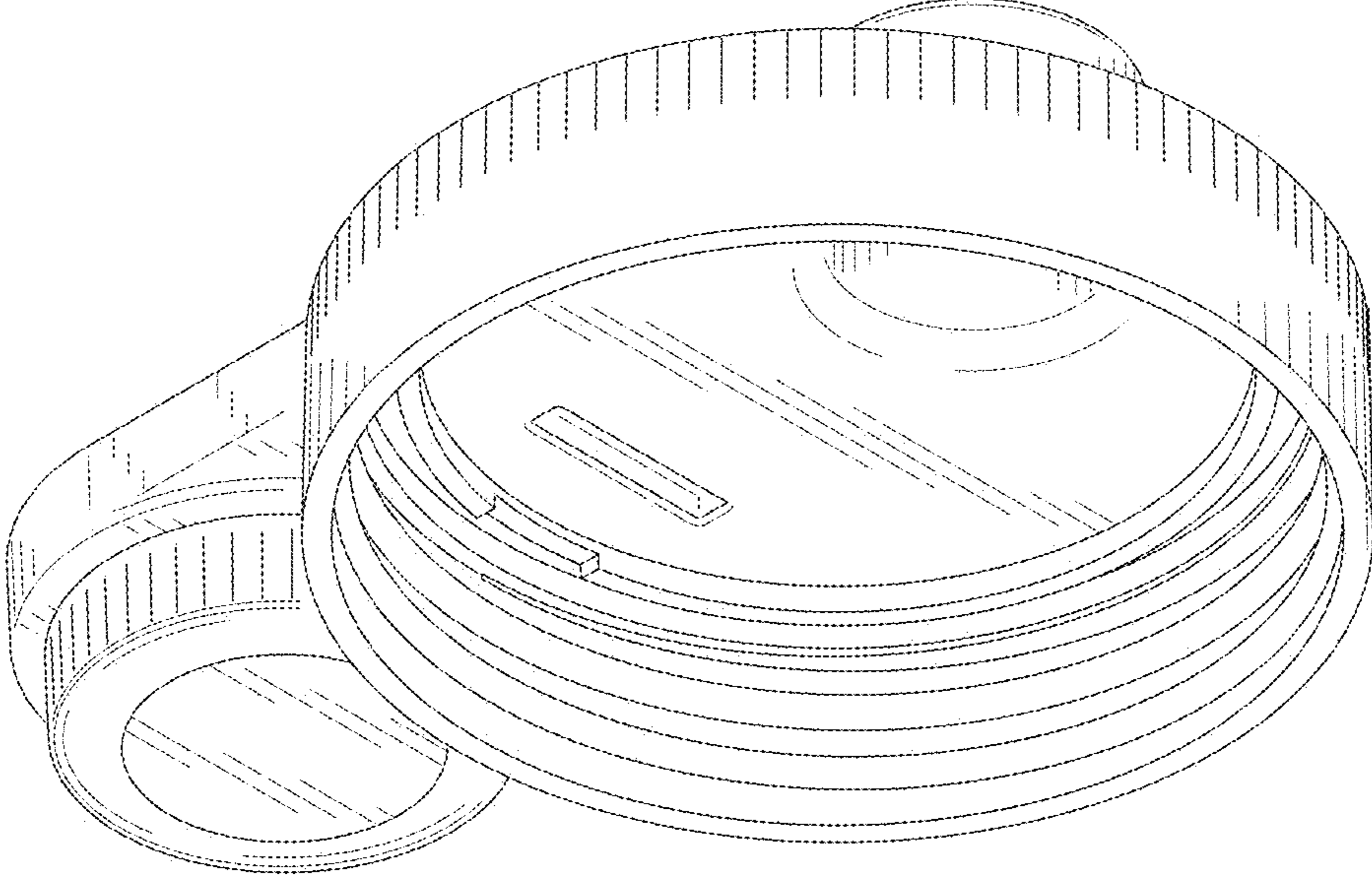


FIG. 2



FIG. 3

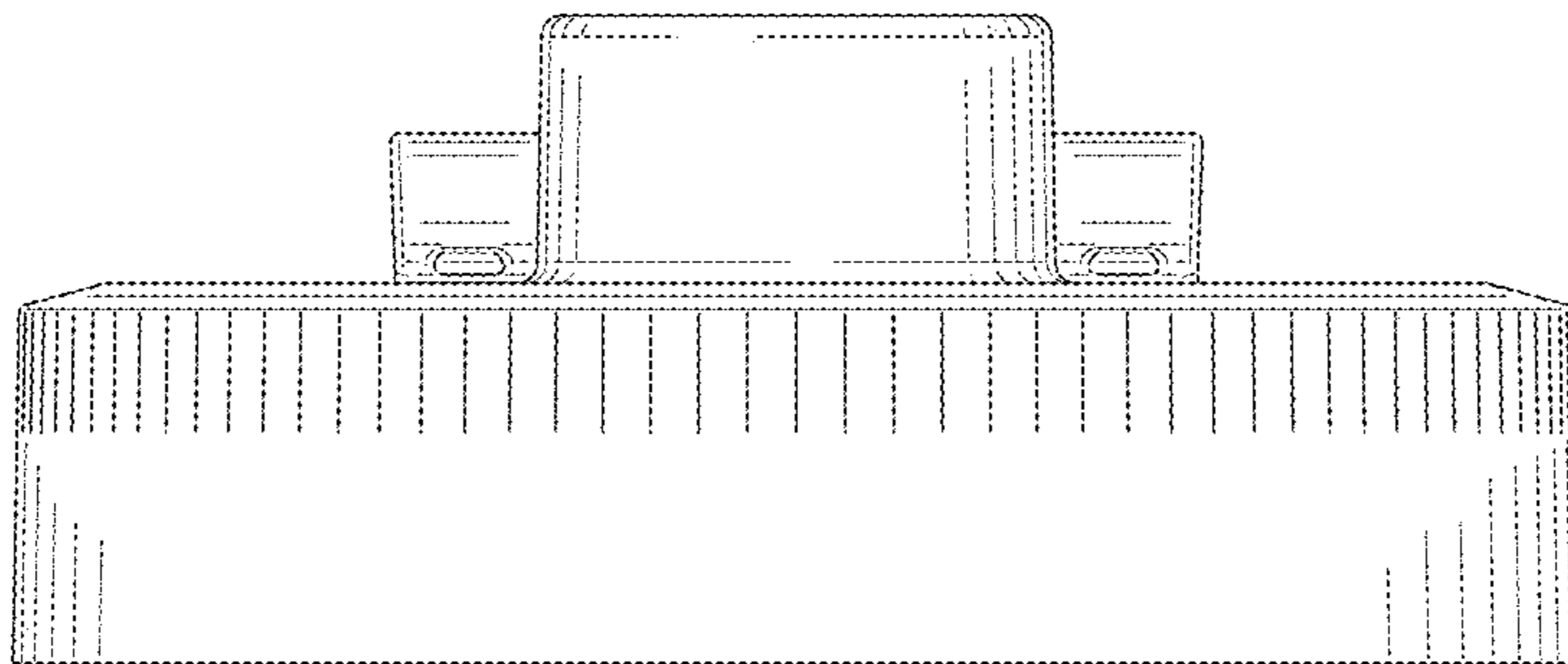


FIG. 4

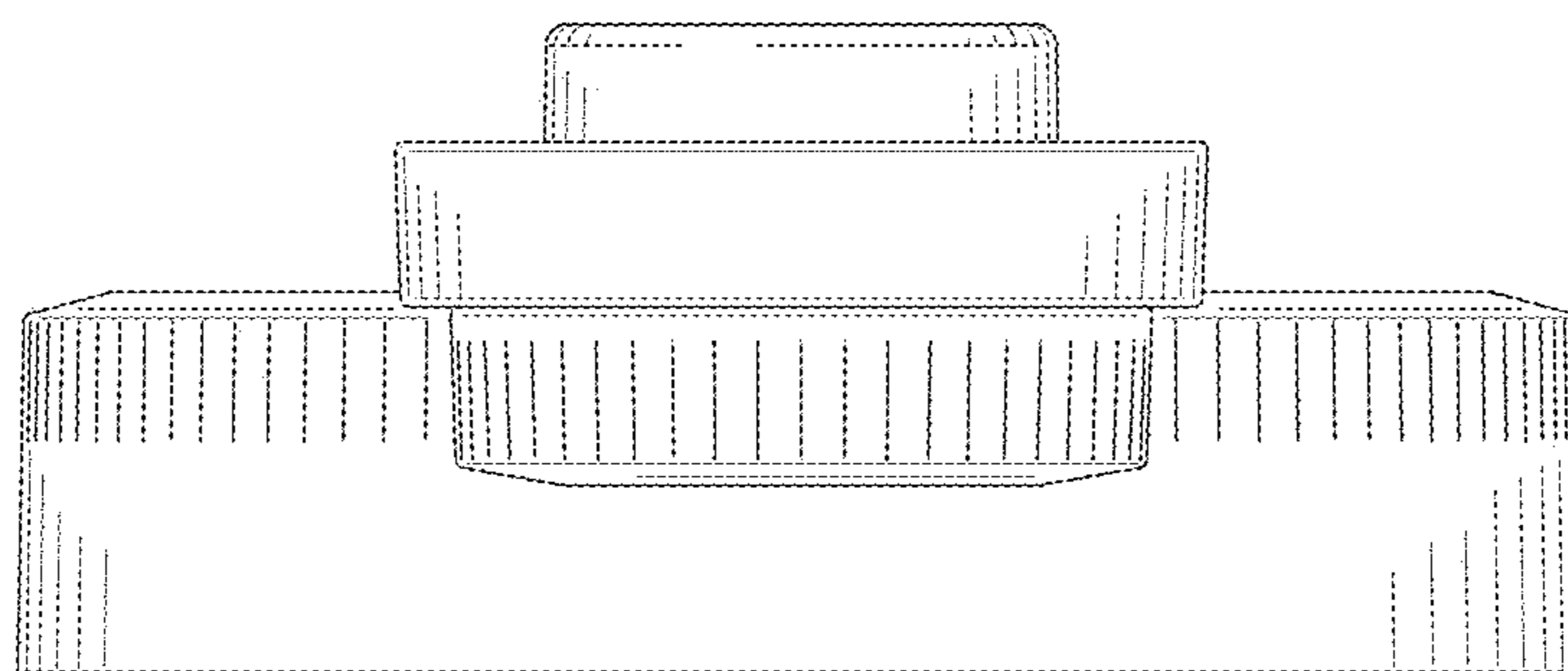


FIG. 5

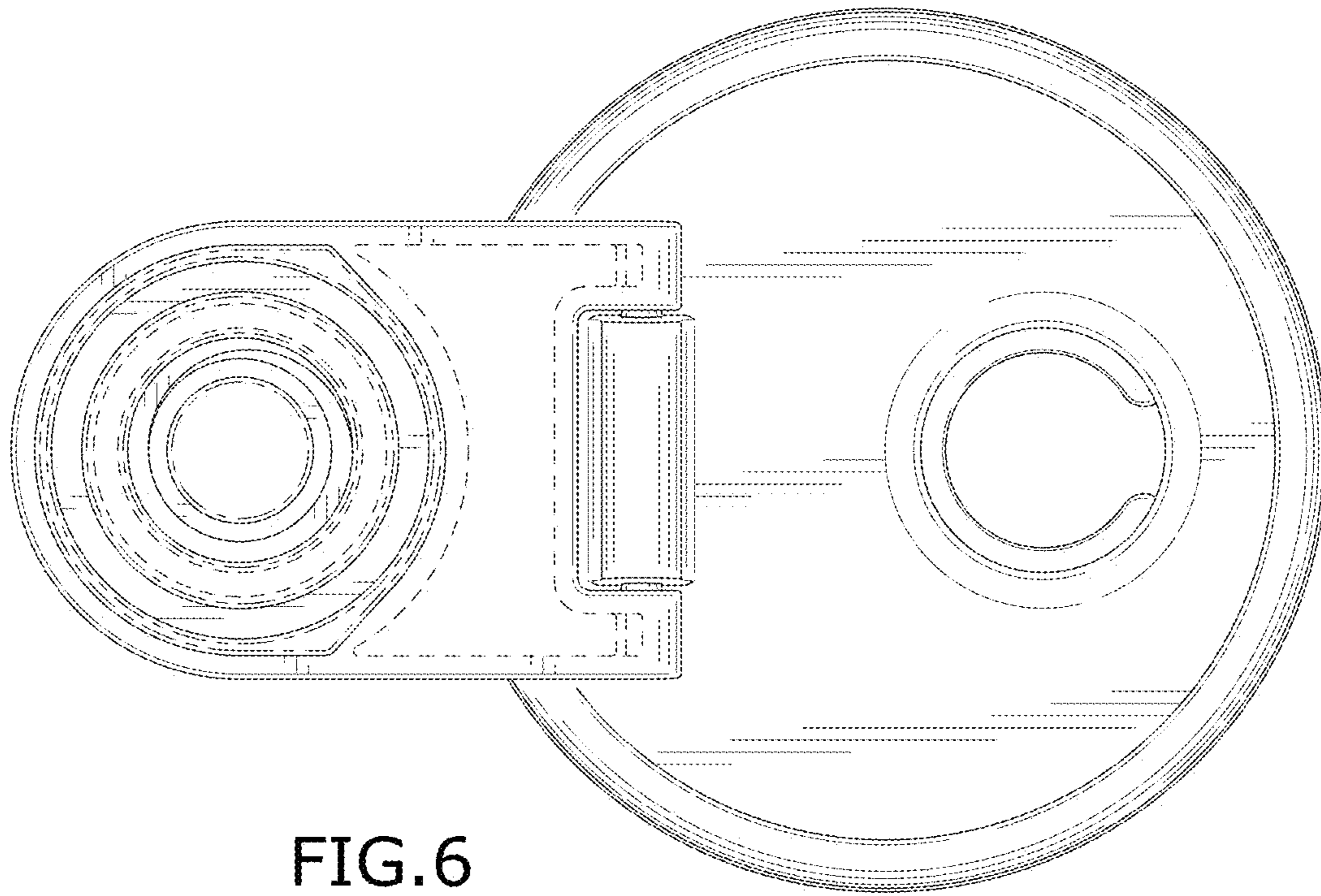


FIG. 6

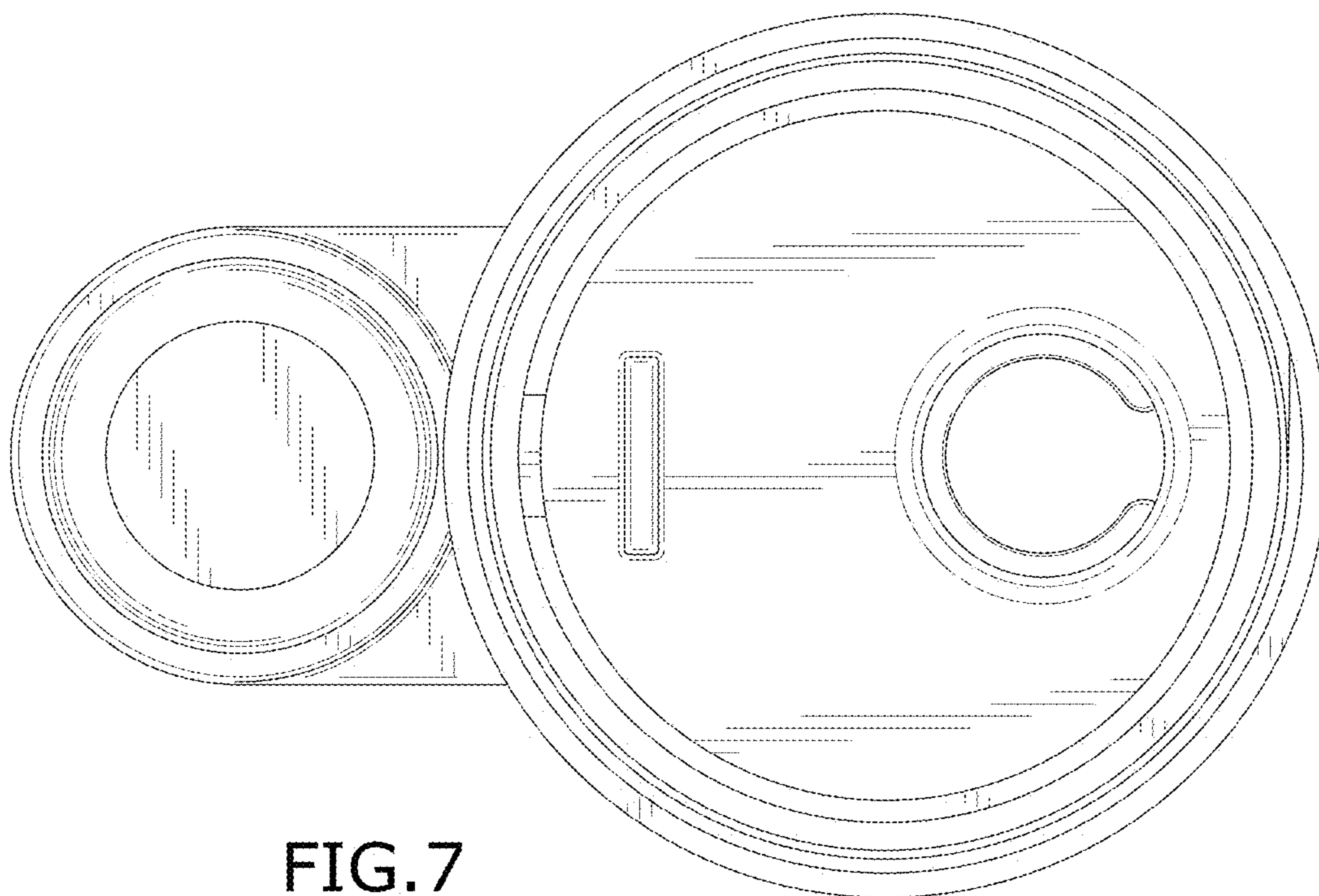


FIG. 7

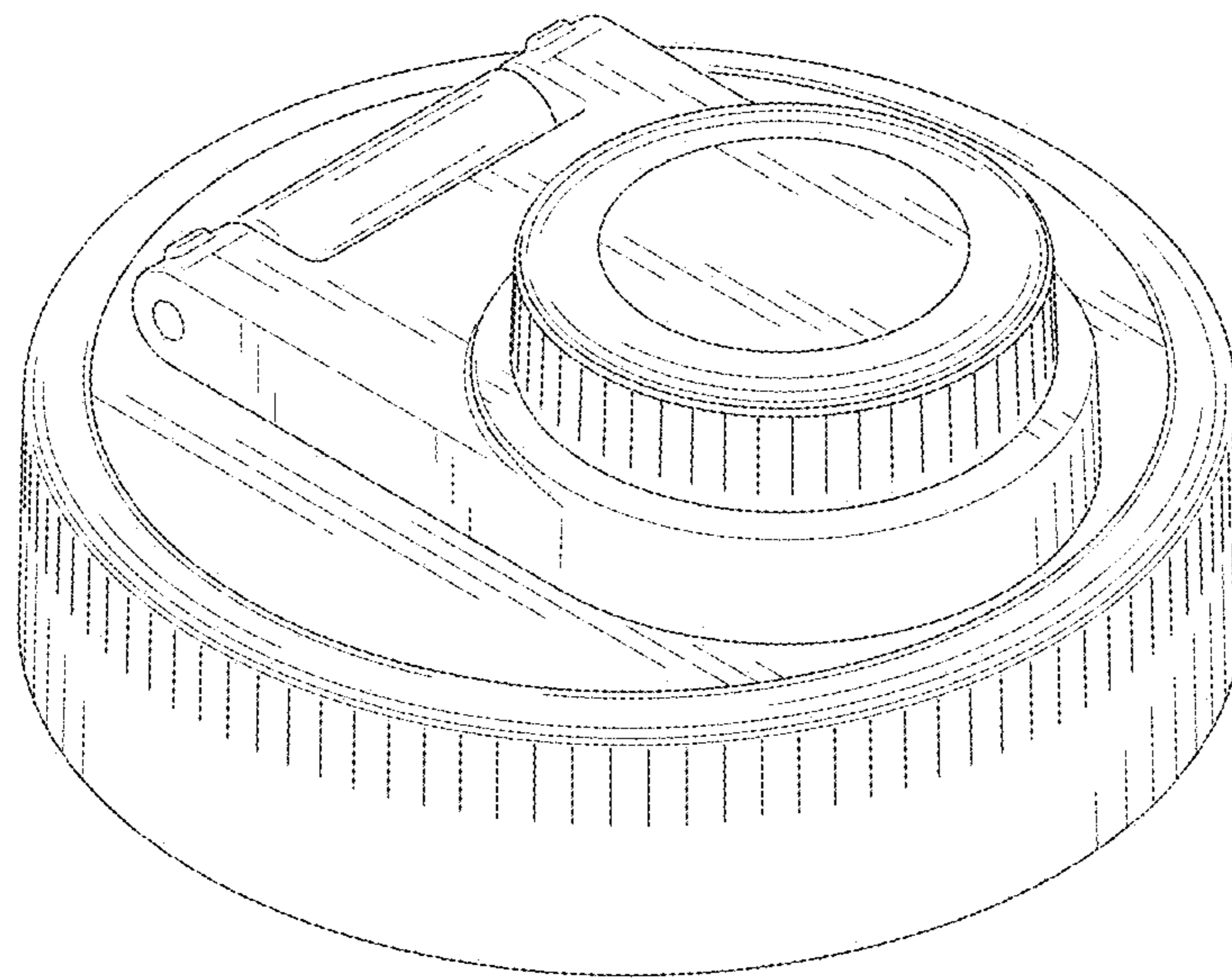


FIG.8