



US00D966786S

(12) **United States Design Patent**
Jo et al.

(10) **Patent No.:** **US D966,786 S**
(45) **Date of Patent:** **** Oct. 18, 2022**

(54) **BODY FOR COOKING MACHINE**

(71) Applicant: **MIDEA GROUP CO., LTD.**, Foshan (CN)

(72) Inventors: **Jeongmin Jo**, Guangdong (CN); **Ying Song**, Guangdong (CN)

(73) Assignee: **MIDEA GROUP CO., LTD.**, Foshan (CN)

(**) Term: **15 Years**

(21) Appl. No.: **35/511,256**

(22) Filed: **Nov. 2, 2020**

(80) **Hague Agreement Data**

Int. Filing Date: **Nov. 2, 2020**

Int. Reg. No.: **DM/212329**

Int. Reg. Date: **Nov. 2, 2020**

Int. Reg. Pub. Date: **Jan. 29, 2021**

(30) **Foreign Application Priority Data**

Jul. 8, 2020 (CN) 202030366331.3

(51) **LOC (13) Cl.** **07-04**

(52) **U.S. Cl.**
USPC **D7/368**

(58) **Field of Classification Search**
USPC D7/368, 376, 377, 378, 381, 383, 384, D7/386, 413

CPC .. A47J 43/00; A47J 43/04; A47J 2043/04454; A47J 2043/0449; A47J 43/0716; A47J 43/046; A47J 43/0722; A47J 43/24; A47J 43/044; A47J 43/07; A47J 43/08; B01F 27/88; B01F 27/80; B01F 27/808

See application file for complete search history.

(56) **References Cited**

U.S. PATENT DOCUMENTS

D396,990 S * 8/1998 Leverrier D7/378
D502,358 S * 3/2005 Weaden D7/378

D525,482 S * 7/2006 Kassenaar D7/378
D528,363 S * 9/2006 Ulanski D7/413
D543,072 S * 5/2007 Ting D7/378
D587,961 S * 3/2009 Lavy D7/378
7,753,223 B2 * 7/2010 Boozer A47J 43/0727
D7/378
D621,656 S * 8/2010 Ulanski D7/378
D644,488 S * 9/2011 Brinckerhoff D7/378
D644,876 S * 9/2011 Brinckerhoff D7/378
D647,368 S * 10/2011 Audette D7/378
D672,606 S * 12/2012 Dietz D7/378
D678,726 S * 3/2013 Palermo D7/378
D679,543 S * 4/2013 Repac D7/378
D688,911 S * 9/2013 Chiarini D7/378
D702,999 S * 4/2014 Audette D7/378
D708,008 S * 7/2014 Lazzer D7/378
D728,303 S * 5/2015 Vu D7/378
D746,629 S * 1/2016 Ji D7/378
D749,893 S * 2/2016 Bazzicalupo D7/378
D750,936 S * 3/2016 Kemker D7/378

(Continued)

Primary Examiner — Steven J Czyz

(57) **CLAIM**

The ornamental design for a body for cooking machine, as shown and described.

DESCRIPTION

1. Body for cooking machine

1.1 Front

1.2 Back

1.3 Left

1.4 Right

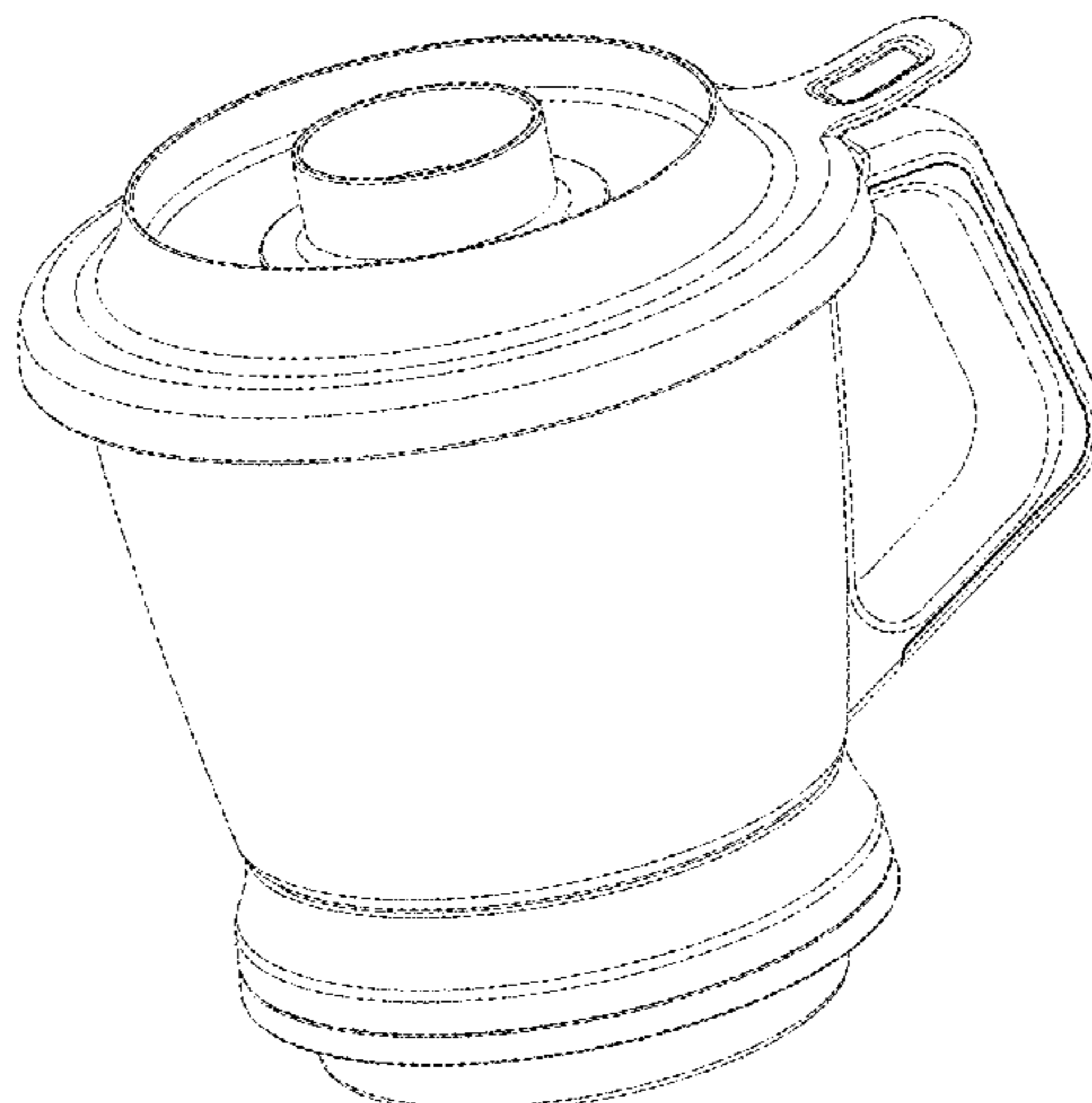
1.5 Top

1.6 Bottom

1.7 Perspective

The broken lines shown in reproductions 1.5 and 1.6 depict portions of the body for cooking machine form no part of the claimed design.

1 Claim, 7 Drawing Sheets



(56)

References Cited

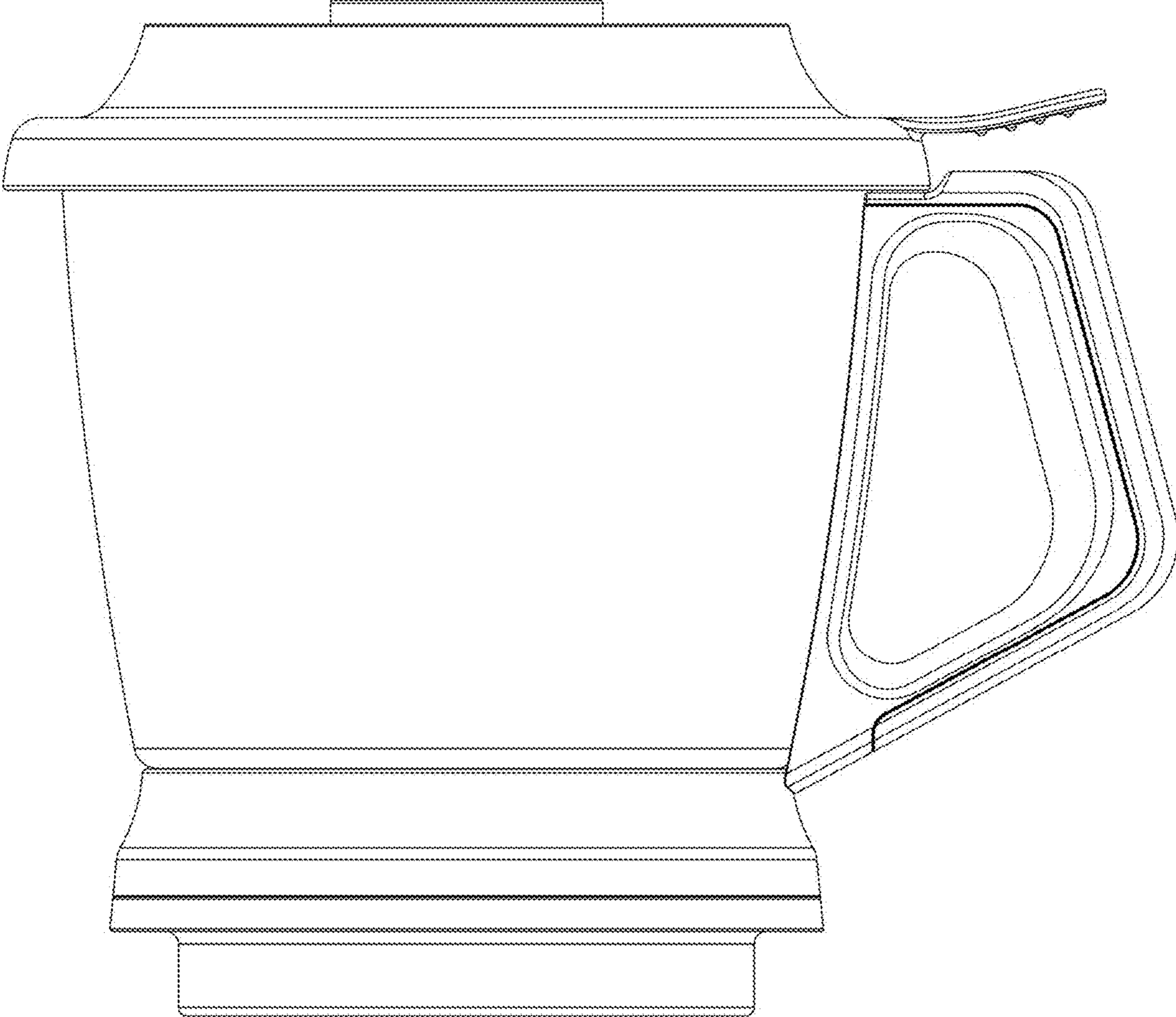
U.S. PATENT DOCUMENTS

D758,787 S * 6/2016 Ou D7/378
 D759,424 S * 6/2016 Ou D7/378
 D760,535 S * 7/2016 Vu D7/378
 D766,039 S * 9/2016 Tu D7/378
 D802,358 S * 11/2017 Jossem D7/378
 D808,718 S * 1/2018 Coakley D7/378
 D808,719 S * 1/2018 Coakley D7/378
 D811,166 S * 2/2018 Smith D7/378
 D811,167 S * 2/2018 Smith D7/378
 D833,813 S * 11/2018 Smith D7/378
 D833,814 S * 11/2018 Smith D7/378
 D835,941 S * 12/2018 Ou D7/413
 D845,699 S * 4/2019 Hoff D7/378
 D880,239 S * 4/2020 McConnell D7/378
 D887,210 S * 6/2020 Fung D7/378
 D896,022 S * 9/2020 Ye D7/378
 D896,567 S * 9/2020 Bai D7/378
 D897,758 S * 10/2020 Finnance D7/378
 D900,548 S * 11/2020 Lee D7/378
 D908,418 S * 1/2021 DeLeo D7/378
 D909,123 S * 2/2021 Bourgeois A47J 43/075
 D911,766 S * 3/2021 Ting A47J 43/046
 D917,967 S * 5/2021 Ting A47J 43/0716
 D919,366 S * 5/2021 Fung G01G 19/52
 D922,817 S * 6/2021 Lu B26D 3/11
 D922,818 S * 6/2021 Hou A47J 43/0761
 D925,271 S * 7/2021 Palladino B26D 7/2614
 D929,176 S * 8/2021 Finnance A47J 43/255
 D929,177 S * 8/2021 Finnance A47J 43/0722

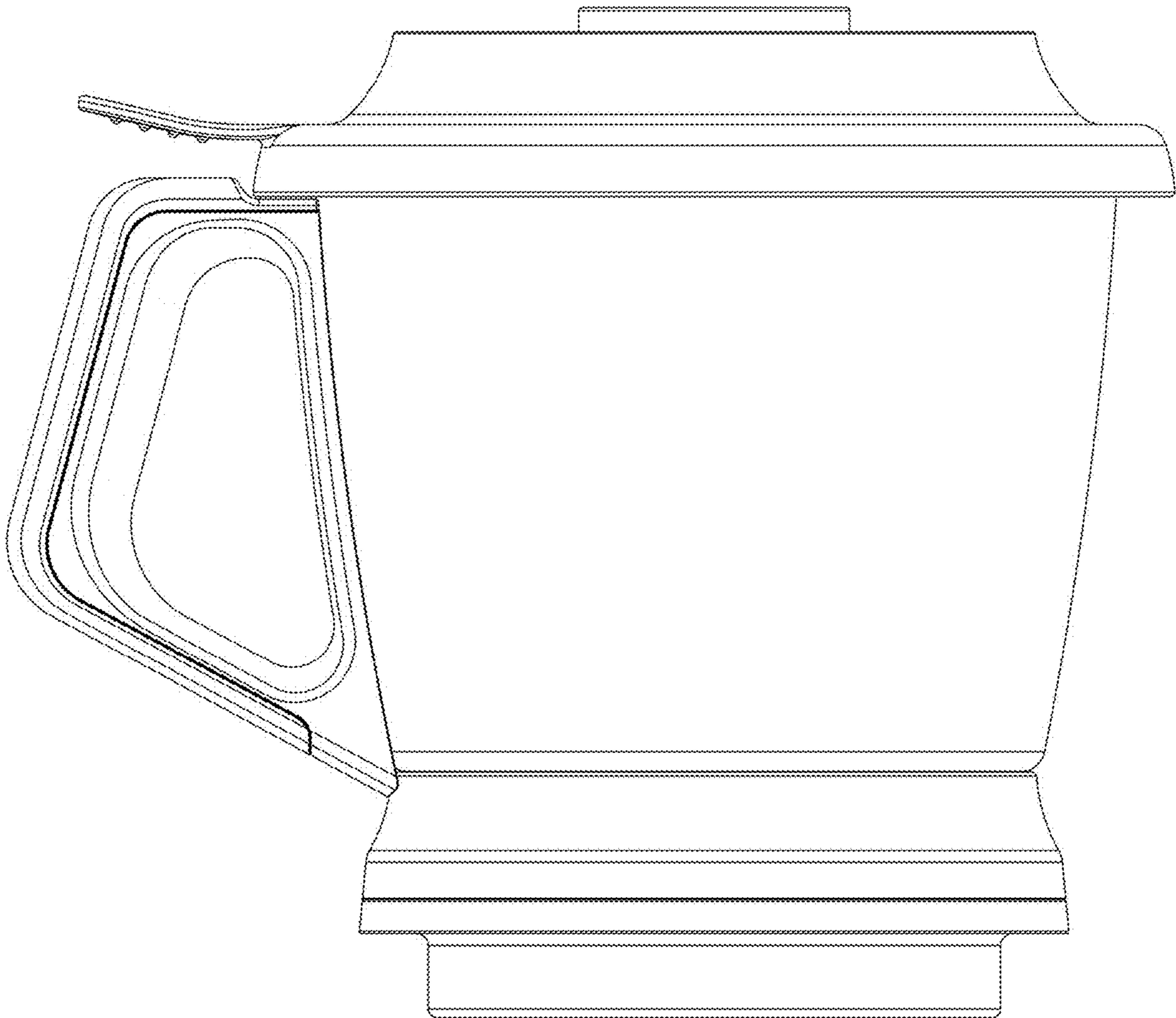
D933,417 S * 10/2021 Bourgeois F16P 3/08
 D935,261 S * 11/2021 Ye A47J 43/0727
 D935,275 S * 11/2021 Ye A47J 36/06
 D938,220 S * 12/2021 Tu A47G 19/12
 D943,341 S * 2/2022 Buck D7/378
 11,266,270 B2 * 3/2022 Hammond A47J 43/046
 2004/0206837 A1 * 10/2004 Lee A47J 43/0722
 2007/0095961 A1 * 5/2007 Lin A47J 43/0722
 2007/0147171 A1 * 6/2007 Reyes A47J 43/22
 2007/0158353 A1 * 7/2007 Herbert A47G 19/12
 2011/0079596 A1 * 4/2011 Krasznai A47J 43/0727
 2011/0188340 A1 * 8/2011 Kolar A47J 36/06
 2012/0206995 A1 * 8/2012 Wu F16P 3/08
 2013/0032038 A1 * 2/2013 Lee A47J 43/046
 2014/0061344 A1 * 3/2014 Conti A47J 43/255
 2017/0105578 A1 * 4/2017 Krebs A47J 43/0722
 2017/0311760 A1 * 11/2017 Gushwa B26D 7/2614
 2018/0338643 A1 * 11/2018 Hammond A47J 43/046
 2018/0353014 A1 * 12/2018 Antkowiak B26D 3/11
 2019/0380539 A1 * 12/2019 Alves A47J 43/0761
 2020/0138242 A1 * 5/2020 Kim A47J 43/0716
 2020/0359843 A1 * 11/2020 Ye G01G 19/52
 2020/0375402 A1 * 12/2020 Krivos A47J 43/046
 2021/0022557 A1 * 1/2021 Atinaja A47J 43/075
 2021/0177196 A1 * 6/2021 Upston A47J 36/10
 2021/0274975 A1 * 9/2021 Jansen A47J 43/0766
 2022/0040652 A1 * 2/2022 Schandel A47J 43/0722
 2022/0071451 A1 * 3/2022 Siu A47J 43/046
 2022/0095844 A1 * 3/2022 Persich A47J 45/067

* cited by examiner

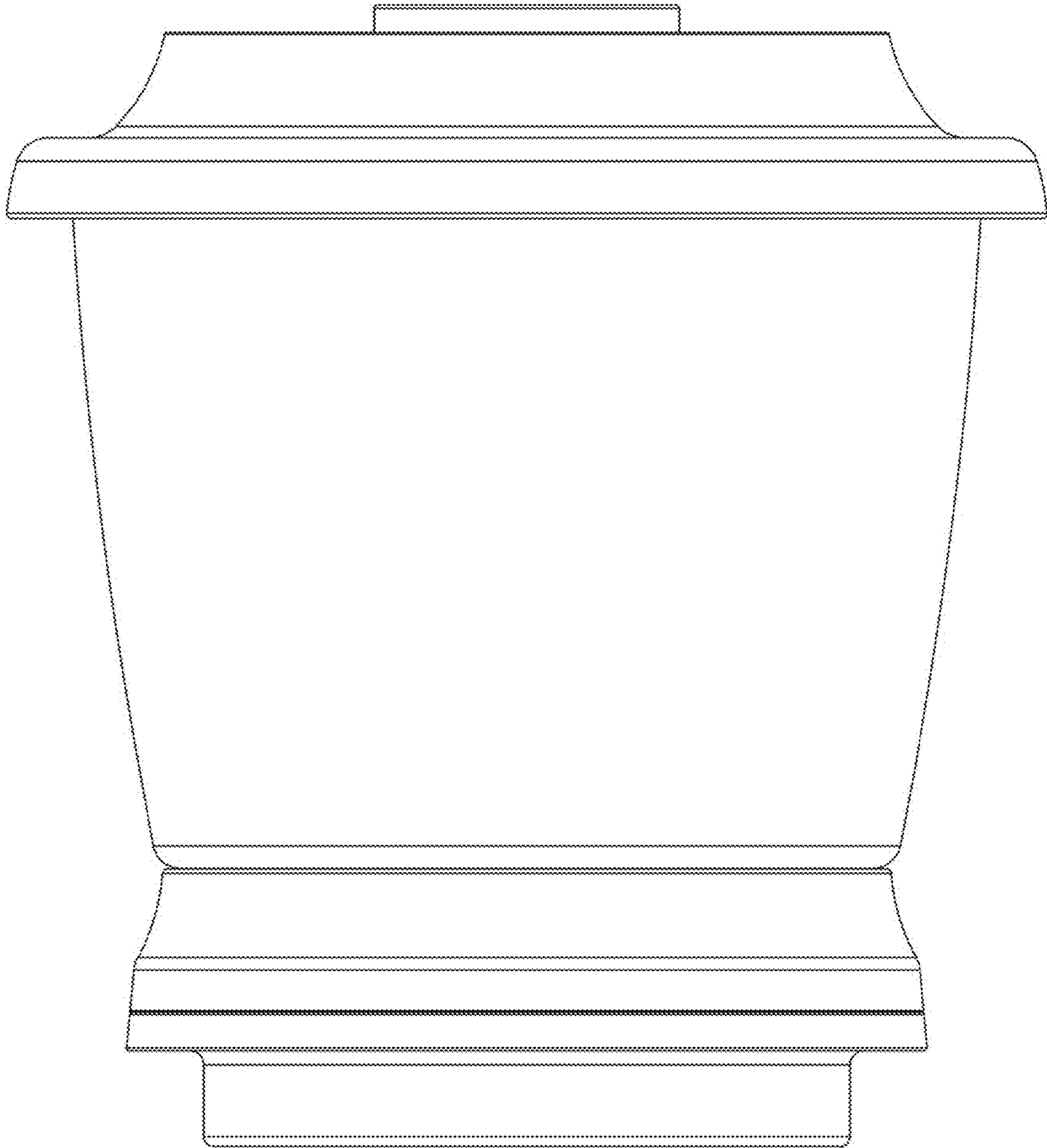
1.1



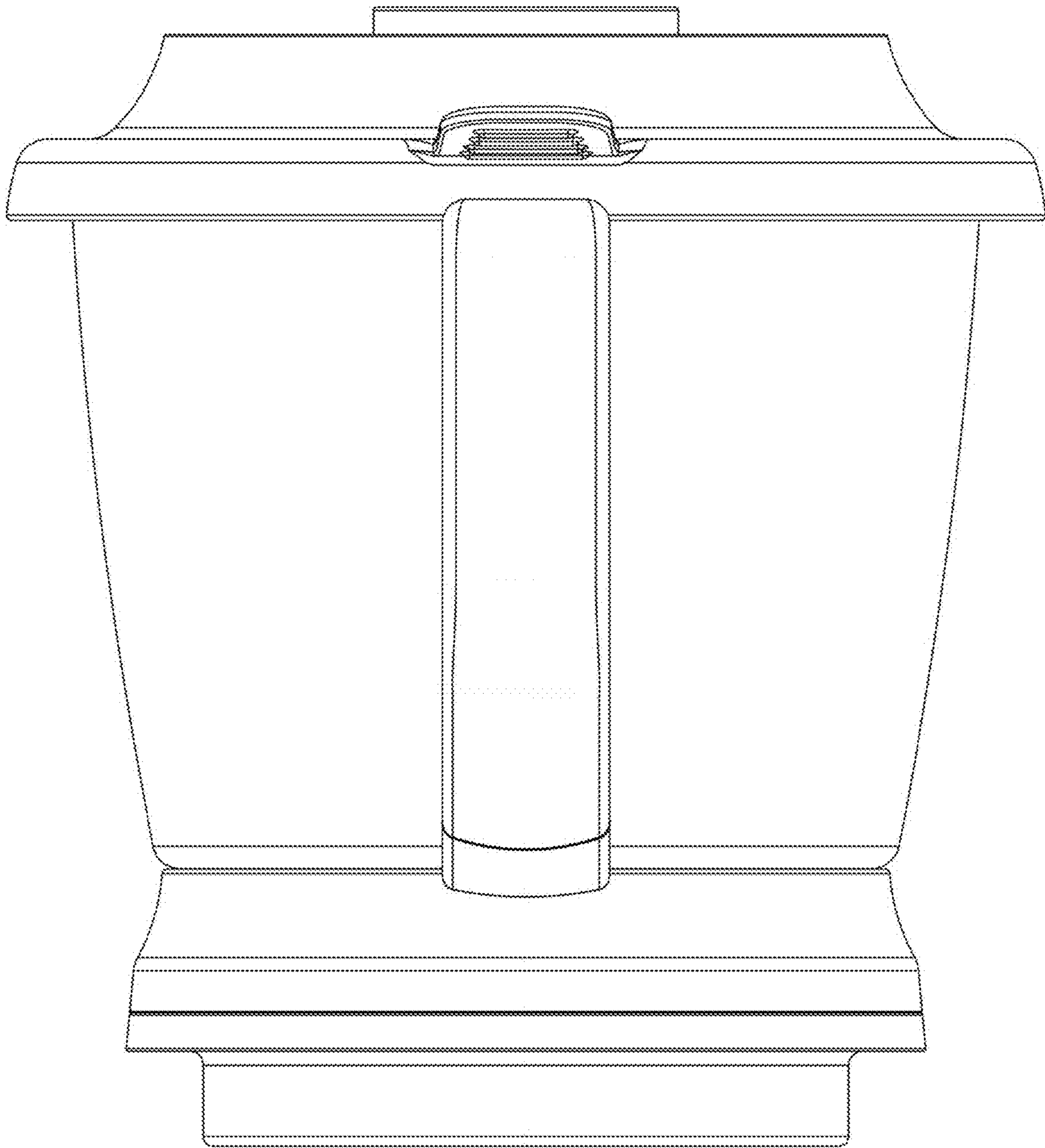
1.2

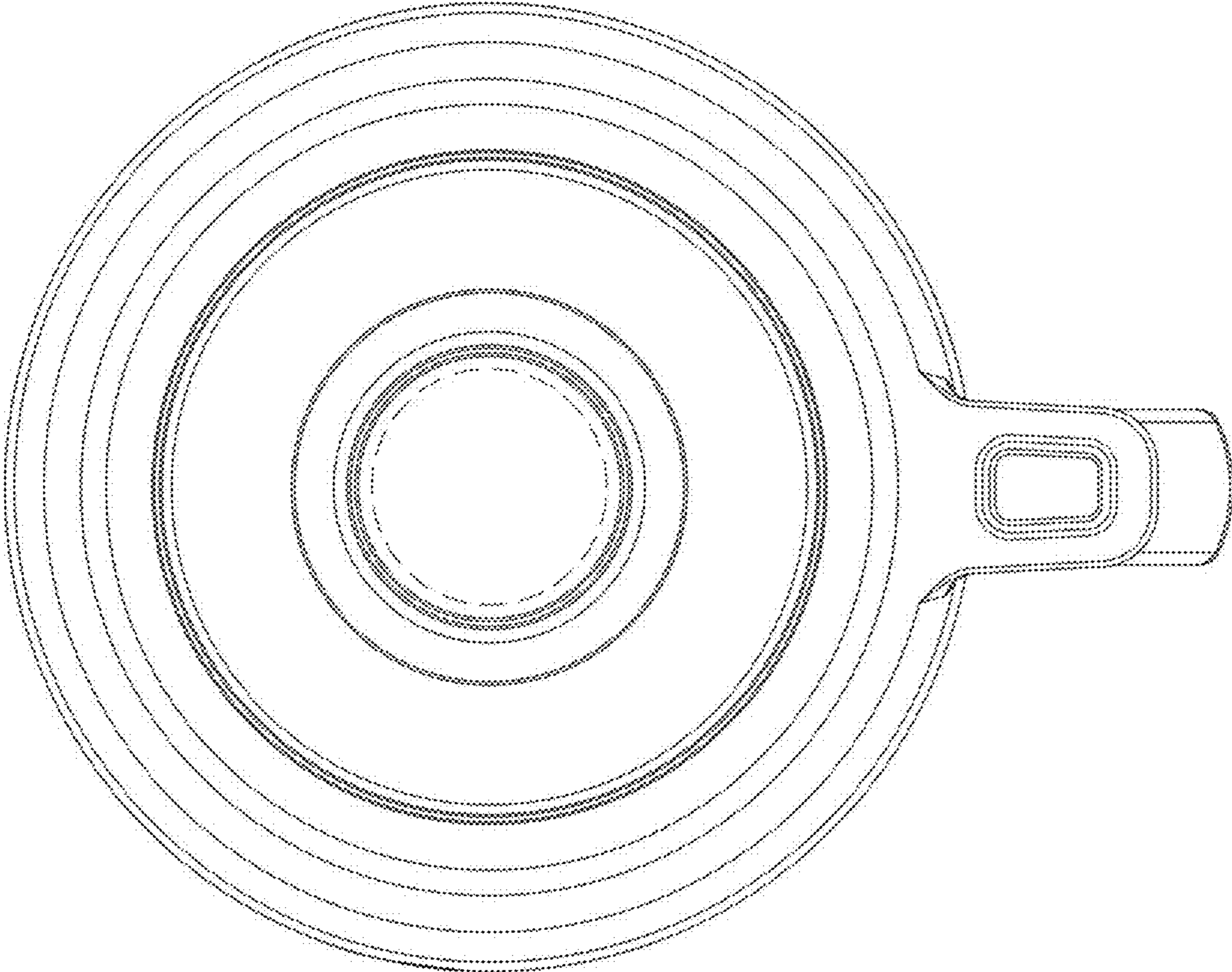


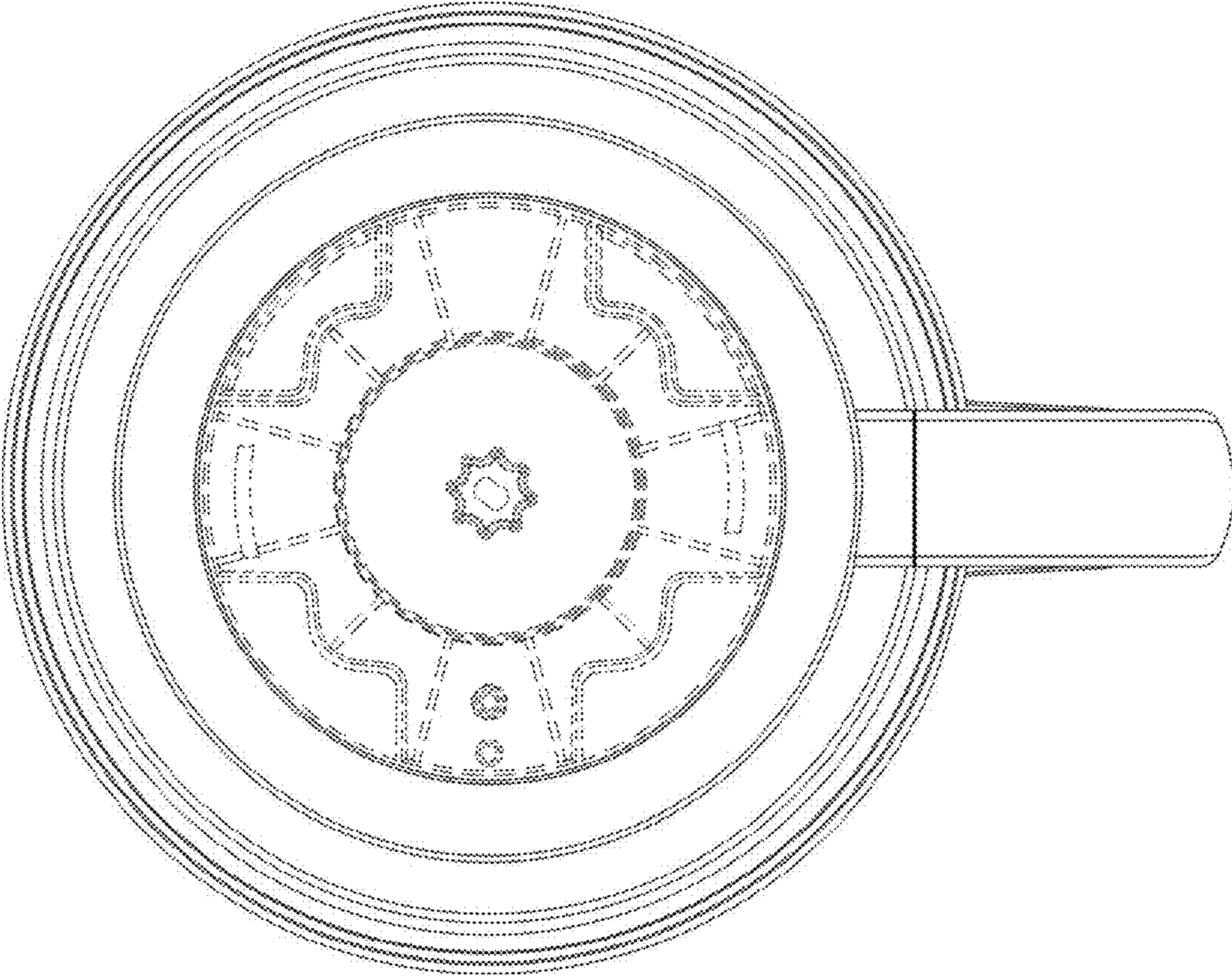
1.3



1.4







1.7

