



US00D966785S

(12) **United States Design Patent**
Raphael

(10) **Patent No.:** **US D966,785 S**

(45) **Date of Patent:** **** Oct. 18, 2022**

(54) **BOWL**
(71) Applicant: **Rhonda Raphael**, Corona, CA (US)
(72) Inventor: **Rhonda Raphael**, Corona, CA (US)
(**) Term: **15 Years**

D423,733 S * 4/2000 Choi D30/129
D432,860 S 10/2000 Hamilton
D454,989 S 3/2002 McLaughlin
D477,970 S * 8/2003 Thonis D7/538
D478,474 S 8/2003 Zettle
D480,604 S 10/2003 Lillelund et al.
D503,310 S 3/2005 Jalet et al.
7,204,202 B2 4/2007 Behun

(Continued)

(21) Appl. No.: **29/723,082**

(22) Filed: **Feb. 4, 2020**

(51) **LOC (13) Cl.** **07-02**

(52) **U.S. Cl.**
USPC **D7/360**

(58) **Field of Classification Search**
USPC D7/323, 331, 352, 354, 355, 356, 357,
D7/359, 360, 361, 362, 363, 364, 365,
D7/366, 402, 409, 410; D3/304;
D9/736, 749, 755, 758, 760, 456;
D1/105, 123, 124
CPC .. A21B 3/00; A21B 3/13; A21B 3/131; A21B
3/132; A21B 3/135; A21B 3/136; A21B
3/137; A21B 3/15; A21B 5/00; A21B
5/02; A21B 5/04; A47J 29/00; A47J
29/02; A47J 29/06; A47J 36/00; A47J
36/02; A47J 36/06; A47J 36/16; A47J
36/24; A47J 36/022; A47J 36/027; A47J
37/00; A47J 37/01; A47J 37/04; A47J
37/06; A47J 37/10; A47J 37/07; A47J
43/20

See application file for complete search history.

(56) **References Cited**

U.S. PATENT DOCUMENTS

D55,366 S 6/1920 Churchill
2,677,947 A 4/1950 Van Guilder
D207,594 S * 5/1967 Aubecq D7/542
D268,557 S * 4/1983 Jensen D7/360
D288,050 S * 2/1987 Fox D7/545
D296,640 S * 7/1988 Miller D7/360
D330,785 S 11/1992 Jordan
D386,354 S * 11/1997 Hoekstra D7/358

FOREIGN PATENT DOCUMENTS

CN 306340924 * 2/2021
CN 306471917 * 4/2021

(Continued)

OTHER PUBLICATIONS

Tint bowl disposable liners, announced © 2021 [online], retrieved Jul. 16, 2021, retrieved from internet, https://www.alignable.com/corona-ca/tintnprint/tint-bowl-disposable-liners.*

(Continued)

Primary Examiner — Messina L Smith

(74) *Attorney, Agent, or Firm* — Kirk A. Buhler; Buhler & Associates Patenting

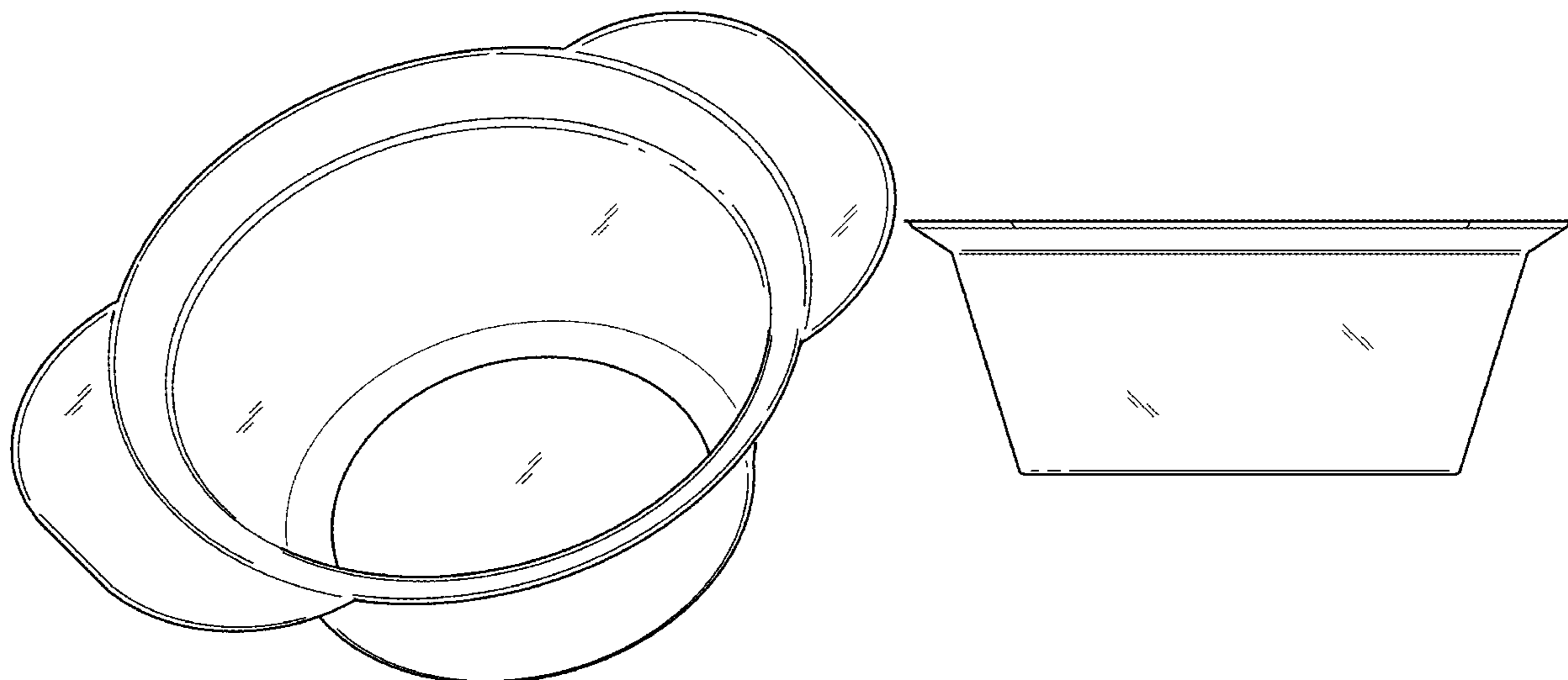
(57) **CLAIM**

The ornamental design for a bowl, as shown and described.

DESCRIPTION

FIG. 1 is a top perspective view for a bowl showing my new design;
FIG. 2 is a front elevation view, the rear elevation view being a mirror image thereof;
FIG. 3 is a top side view thereof;
FIG. 4 is a right side elevation view, the left side elevation view being a mirror image thereof;
FIG. 5 is a bottom side view thereof; and,
FIG. 6 is a bottom perspective view.

1 Claim, 6 Drawing Sheets



(56)

References Cited

U.S. PATENT DOCUMENTS

D564,138 S 3/2008 Dunn et al.
 D565,253 S 3/2008 Modi
 D565,356 S 4/2008 Mellen et al.
 D568,102 S 5/2008 Ruiz de Az a
 D572,979 S * 7/2008 Delbaere D7/545
 D587,406 S 2/2009 Ruiz
 D590,551 S 4/2009 Sperbeck
 D594,704 S * 6/2009 Loaiza D7/538
 D604,989 S * 12/2009 Chen D7/360
 D626,790 S 11/2010 Gibson et al.
 D628,850 S * 12/2010 Bergne D7/360
 D634,583 S * 3/2011 Bernardaud D7/542
 D653,910 S * 2/2012 Stamper D7/543
 D682,482 S 5/2013 Nelson
 D682,485 S 5/2013 Wygle
 D683,179 S * 5/2013 Coursey D7/360
 D702,991 S * 4/2014 Roussard D7/360
 D708,021 S * 7/2014 Heiberg D7/629
 D715,594 S 10/2014 Norland et al.
 D717,585 S * 11/2014 Moser D7/360
 D717,607 S 11/2014 Miller et al.
 D728,865 S 5/2015 Tsengas
 9,220,372 B2 12/2015 Benoit et al.
 D746,640 S 1/2016 Myoung et al.
 D762,017 S 7/2016 Tsengas
 9,392,767 B2 7/2016 Talt et al.
 D770,233 S * 11/2016 Raphael D7/584
 D815,915 S * 4/2018 Raphael D7/584
 D837,584 S * 1/2019 Chang D7/360

D840,760 S * 2/2019 Carrette D7/602
 D880,221 S * 4/2020 Hollinger D7/360
 D892,537 S * 8/2020 Watanabe D7/360
 D915,124 S * 4/2021 Vallee D7/354
 D915,828 S * 4/2021 Schiermeier D7/554.2
 D919,351 S * 5/2021 Dorion D7/354

FOREIGN PATENT DOCUMENTS

CN 306524934 * 5/2021
 CN 306659023 * 7/2021
 JP 2014030507 A * 2/2014

OTHER PUBLICATIONS

Head-Gear Tint Bowl, announced Oct. 15, 2020 [online], retrieved Jul. 16, 2021, retrieved from internet, <https://www.capitalhairandbeauty.co.uk/hairdressing/colour-bleach/colour-accessories/head-gear-tint-bowl-black>.*

Professional Hair Coloring Mixing Bowl, announced © 2021 [online], retrieved Jul. 16, 2021, retrieved from internet, https://jonathanchoice.com/products/c122-1015369-professional-hair-coloring-mixing-bowl-hairdressing-salon-sucker-palette-color-dye-diy-barber?gclid=CjwKCAjw3MSHBhB3EiwAxcaEu7g6r9kLCcAF_TVKgSbgAC_RSpltu5D1xLm5hDQ_vMtERiUZTmOphoCryYQAvD_BwE#.*

Vintage Pyrex Glass, announced © 2021 [online], retrieved Jul. 16, 2021, retrieved from internet, <https://www.worthpoint.com/worthopedia/vintage-pyrex-glass-orange-daisy-tab-1854965902>.*

* cited by examiner

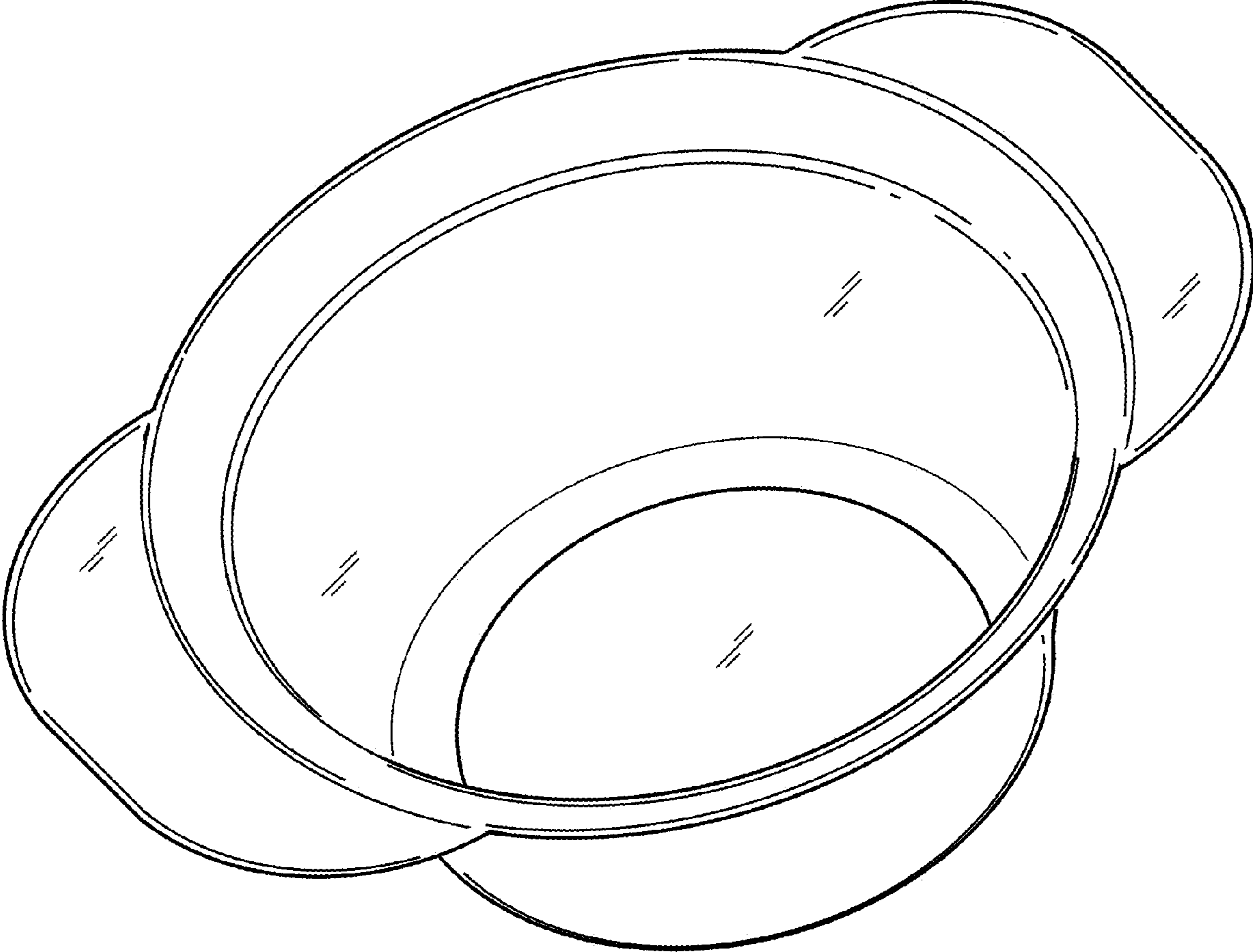


FIG. 1

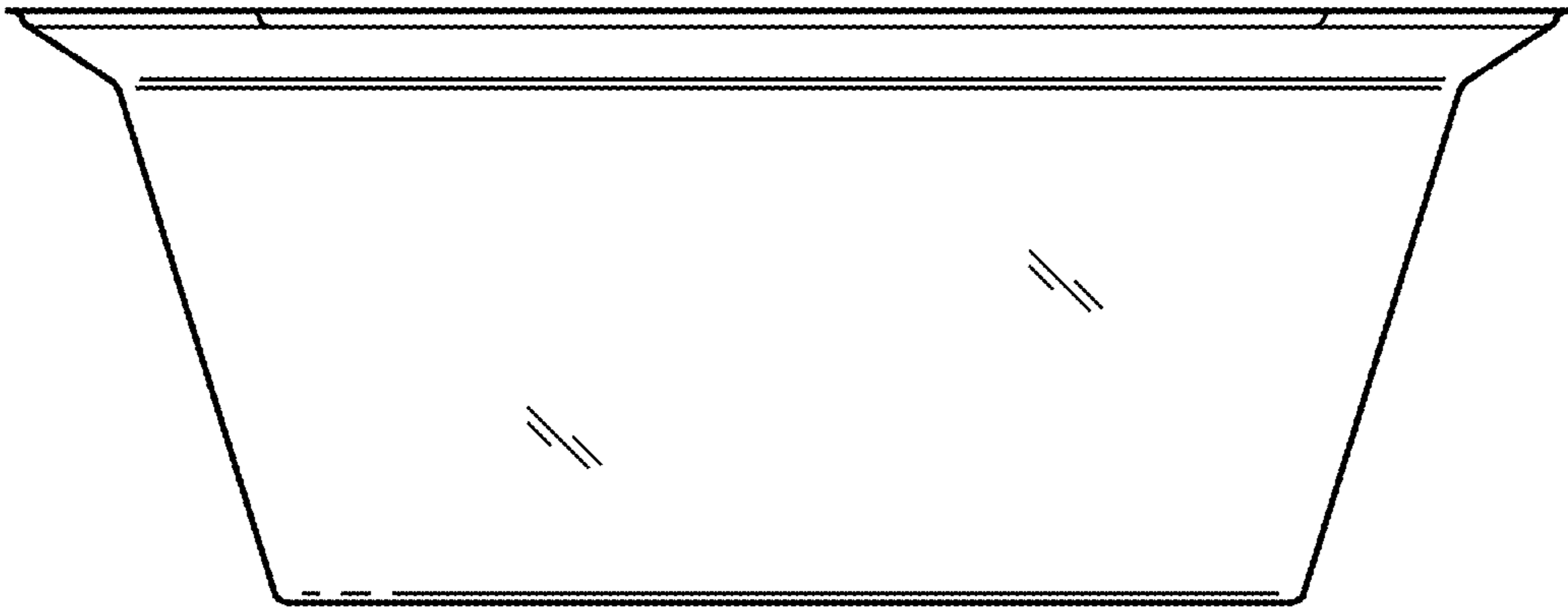


FIG. 2

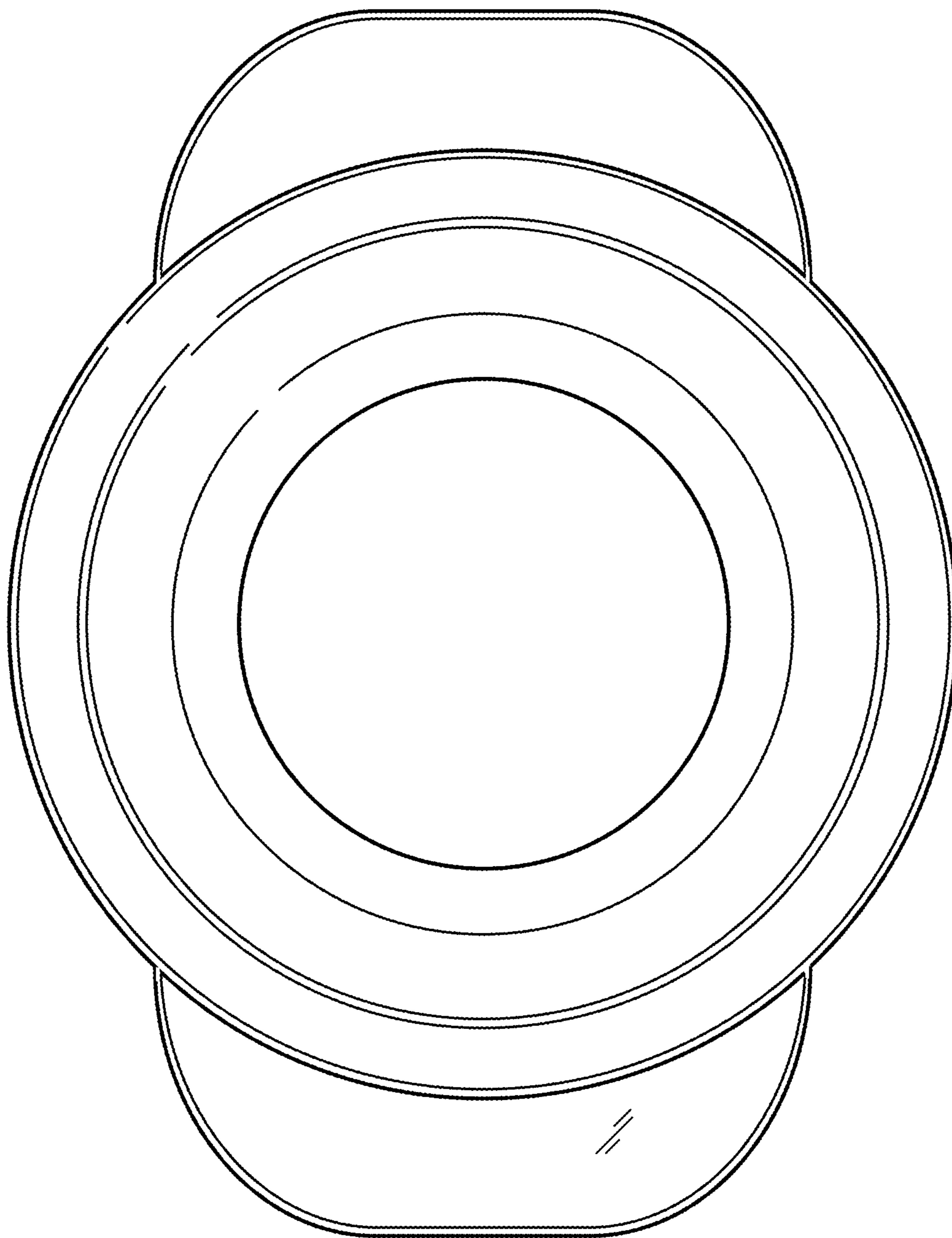


FIG. 3

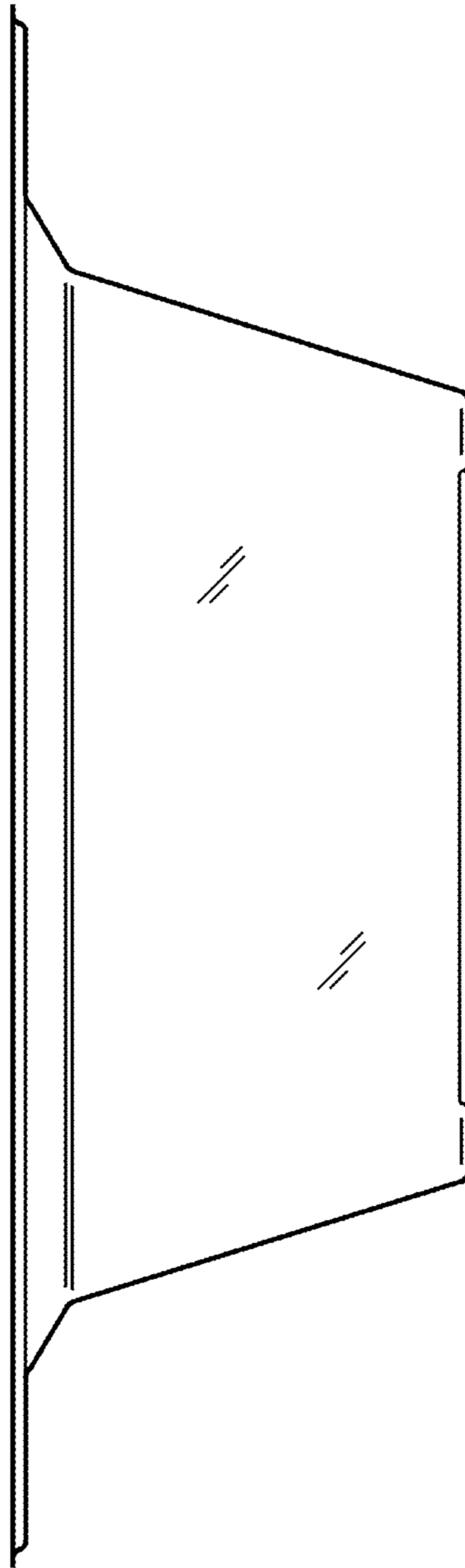


FIG. 4

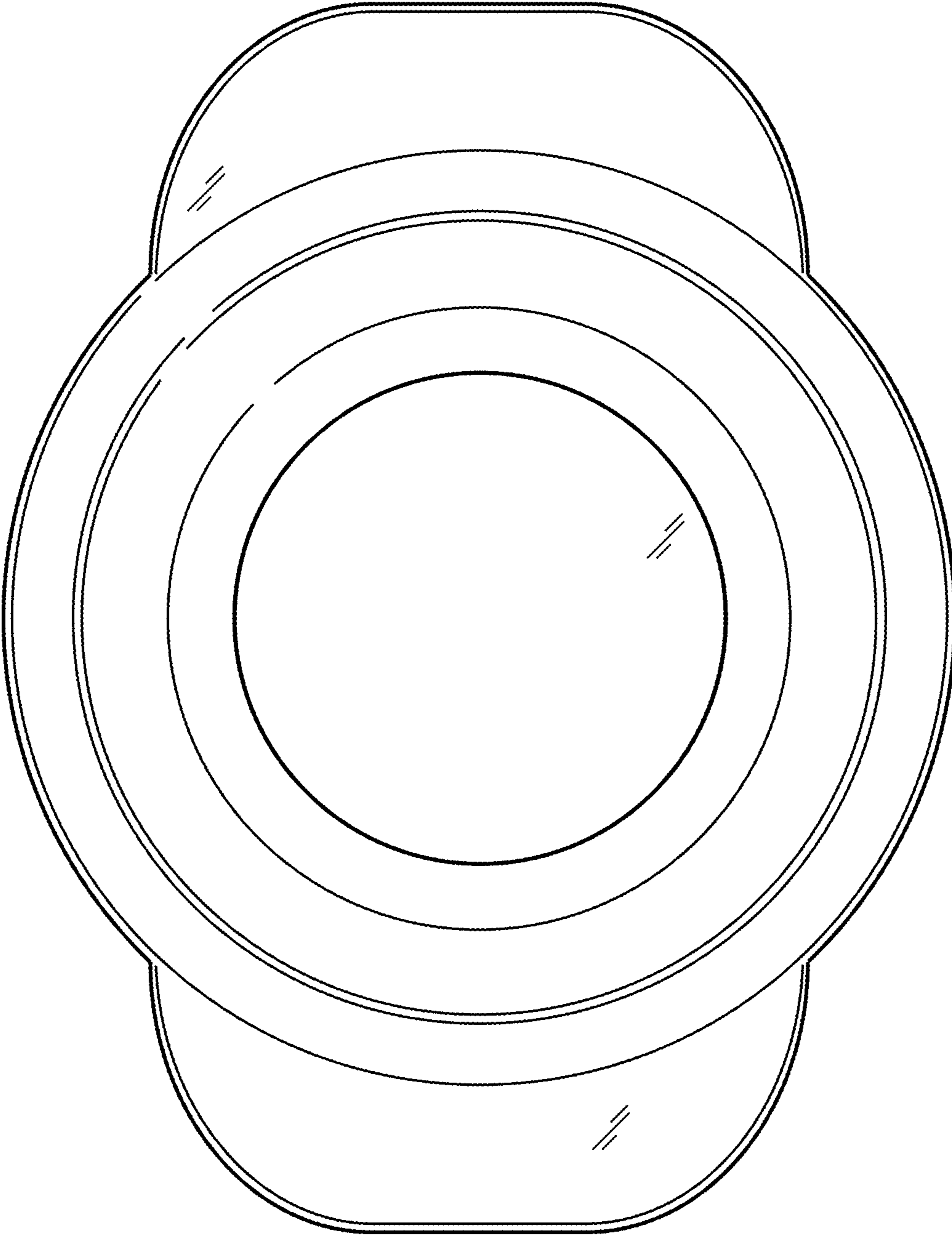


FIG. 5

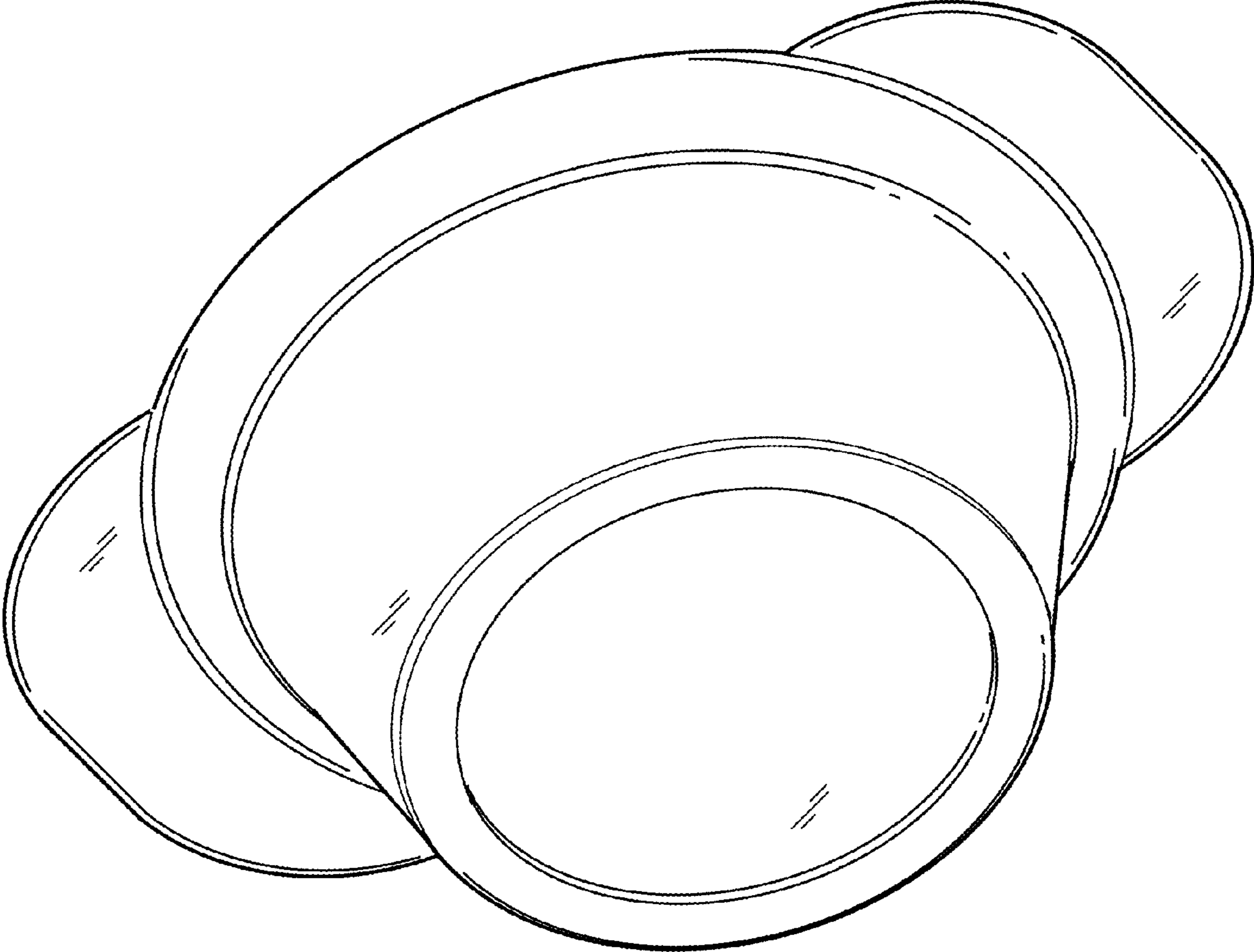


FIG. 6