

US00D966784S

(12) **United States Design Patent**  
**Bhogal et al.**

(10) **Patent No.:** **US D966,784 S**  
(45) **Date of Patent:** **\*\* Oct. 18, 2022**

(54) **REVERSIBLE COOKING SURFACE**

(71) Applicant: **June Life, Inc.**, San Francisco, CA  
(US)

(72) Inventors: **Nikhil Bhogal**, San Francisco, CA  
(US); **Mathias Schmidt**, San Francisco,  
CA (US)

(73) Assignee: **June Life, Inc.**, San Francisco, CA  
(US)

(\*\*) Term: **15 Years**

(21) Appl. No.: **29/728,584**

(22) Filed: **Mar. 19, 2020**

(51) **LOC (13) Cl.** ..... **07-02**

(52) **U.S. Cl.**

USPC ..... **D7/359**

(58) **Field of Classification Search**

USPC ..... D7/323, 331, 352, 354, 355, 356, 357,  
D7/359, 360, 361, 362, 363, 364, 365,  
D7/366, 402, 409, 410; D3/304;  
D9/736, 749, 755, 758, 760, 456;  
D1/105, 123, 124

CPC .. A21B 3/00; A21B 3/13; A21B 3/131; A21B  
3/132; A21B 3/135; A21B 3/136; A21B  
3/137; A21B 3/15; A21B 5/00; A21B  
5/02; A21B 5/04; A47J 29/00; A47J  
29/02; A47J 29/06; A47J 36/00; A47J  
36/02; A47J 36/06; A47J 36/16; A47J  
36/24; A47J

(Continued)

(56) **References Cited**

**U.S. PATENT DOCUMENTS**

D463,202 S \* 9/2002 Smith ..... D7/359  
D570,154 S \* 6/2008 Wang ..... D7/359

(Continued)

**FOREIGN PATENT DOCUMENTS**

CA 169162 \* 8/2017  
JP D1594972 \* 12/2017

(Continued)

**OTHER PUBLICATIONS**

20x10.5 Inch Cast Iron Reversible Grill/Griddle, no announcement  
date [online], retrieved Jun. 29, 2021, retrieved from internet,  
[https://www.lodgecastiron.com/product/pro-grid-reversible-grill-griddle?sku=LPGI3.\\*](https://www.lodgecastiron.com/product/pro-grid-reversible-grill-griddle?sku=LPGI3.*)

(Continued)

*Primary Examiner* — Messina L Smith

(74) *Attorney, Agent, or Firm* — Jeffrey Schox; Diana Lin

(57) **CLAIM**

We claim the ornamental design for a reversible cooking  
surface, as shown and described.

**DESCRIPTION**

FIG. 1 is a top, left perspective view of a reversible cooking  
surface showing the new design.

FIG. 2 is a bottom, right perspective view of the reversible  
cooking surface.

FIG. 3 is a top plan view of the reversible cooking surface.

FIG. 4 is a bottom plan view of the reversible cooking  
surface.

FIG. 5 is a left side elevation view of the reversible cooking  
surface.

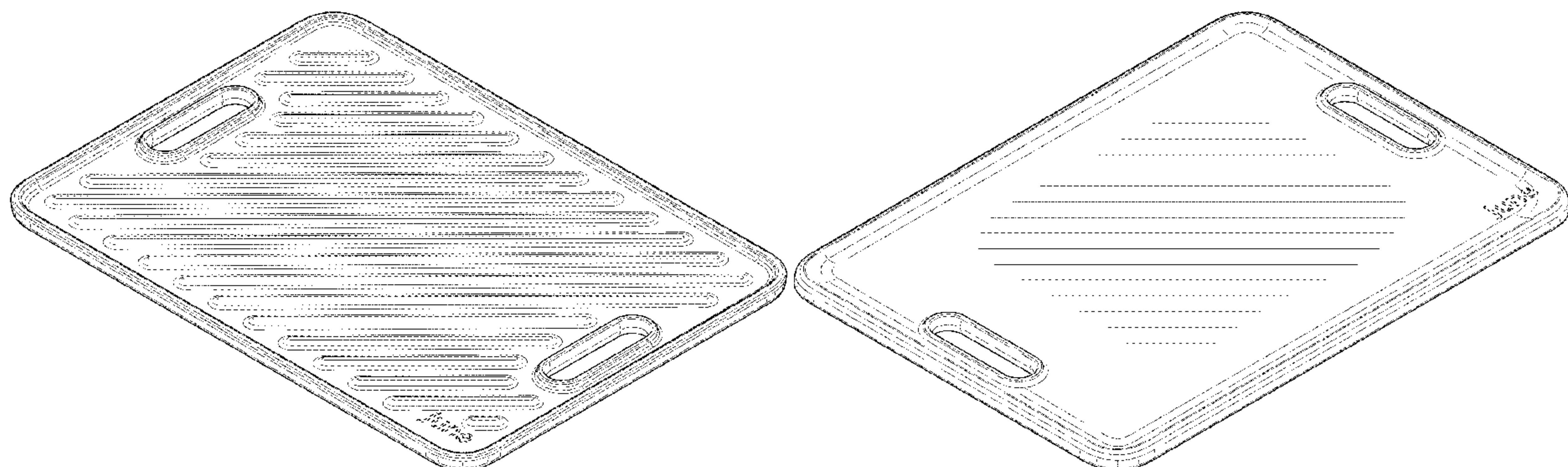
FIG. 6 is a right side elevation view of the reversible cooking  
surface.

FIG. 7 is a front elevation view of the reversible cooking  
surface.

FIG. 8 is a back elevation view of the reversible cooking  
surface; and,

FIG. 9 is a cross-sectional view of the reversible cooking  
surface taken in the direction of line 9-9 in FIG. 3.

(Continued)



The broken lines shown in the drawings depict portions of the reversible cooking surface that form no part of the claimed design.

**1 Claim, 6 Drawing Sheets**

(58) **Field of Classification Search**

CPC ..... 36/022; A47J 36/027; A47J 37/00; A47J 37/01; A47J 37/04; A47J 37/06; A47J 37/10; A47J 37/07; A47J 43/20

See application file for complete search history.

(56) **References Cited**

U.S. PATENT DOCUMENTS

D600,070	S *	9/2009	Kellermann	.....	D7/409
D734,987	S *	7/2015	Coats	.....	D7/409
D773,246	S *	12/2016	Raley	.....	D7/402
D789,147	S *	6/2017	Nilssen	.....	D7/409
D859,059	S *	9/2019	Levy	.....	D7/359
D866,242	S *	11/2019	Vitagliano	.....	D7/359
D880,931	S *	4/2020	Tan	.....	D7/359
D885,115	S *	5/2020	Cloutier	.....	D7/352
D904,114	S *	12/2020	Parker	.....	D7/402
D916,563	S *	4/2021	Dorion	.....	D7/409
D921,432	S *	6/2021	Kwon	.....	D7/409
D921,879	S *	6/2021	Klauer	.....	D23/397
2009/0096150	A1 *	4/2009	Cihan	.....	A47J 47/005 269/289 R
2017/0295831	A1 *	10/2017	Hsieh	.....	A47J 36/24
2019/0104884	A1 *	4/2019	Khormaei	.....	A47J 37/06

FOREIGN PATENT DOCUMENTS

KR	300843438.0000	*	3/2016
KR	301103336.0000	*	4/2021

OTHER PUBLICATIONS

ZORMY Cast Iron Reversible Grill/Griddle with Handles, announced Oct. 5, 2020 [online], retrieved Jun. 29, 2021, retrieved from internet, <https://www.amazon.com/ZORMY-Stovetop-Reversible-Cookware-Non-Stick/dp/B087PV1VNB>.\*

The Rock—Reversible Grill/Griddle, announced Jun. 2017 [online], retrieved Jun. 29, 2021, retrieved from internet, <https://www.starfrit.com/us/the-rock-reversible-grill-griddle-12-x-18>.\*

Le Creuset Reversible Grill/Griddle, announced Jan. 22, 2013 [online], retrieved Jun. 29, 2021, retrieved from internet, <https://www.surlatable.com/le-creuset-reversible-grillgriddle/PRO-620112.html>.\*

Amazon Basics Pre-Seasoned Cast Iron Reversible Grill/Griddle, announced Jun. 11, 2019 [online], retrieved Jun. 29, 2021, retrieved from internet, <https://www.amazon.com/AmazonBasics-Pre-Seasoned-Reversible-Grill-Griddle/dp/B07GP87S39>.\*

Best Cast Iron Griddles : Top 8 Picks Reviewed For 2021, no announcement date [online], retrieved Jun. 29, 2021, retrieved from internet, <https://www.searanchlodge.com/best-cast-iron-griddle/>.\*

Viking 20" Reversible Grill/Griddle, announced © 2021 [online], retrieved Jun. 29, 2021, retrieved from internet, <https://viking-cooking-school.myshopify.com/collections/viking-1/products/20-grillgriddle-cast-iron>.\*

Pizza and Grill Kit, announced Oct. 1, 2021 [online], retrieved Nov. 16, 2021, retrieved from internet, <https://juneoven.com/products/pizza-and-grill-kit>.\*

\* cited by examiner



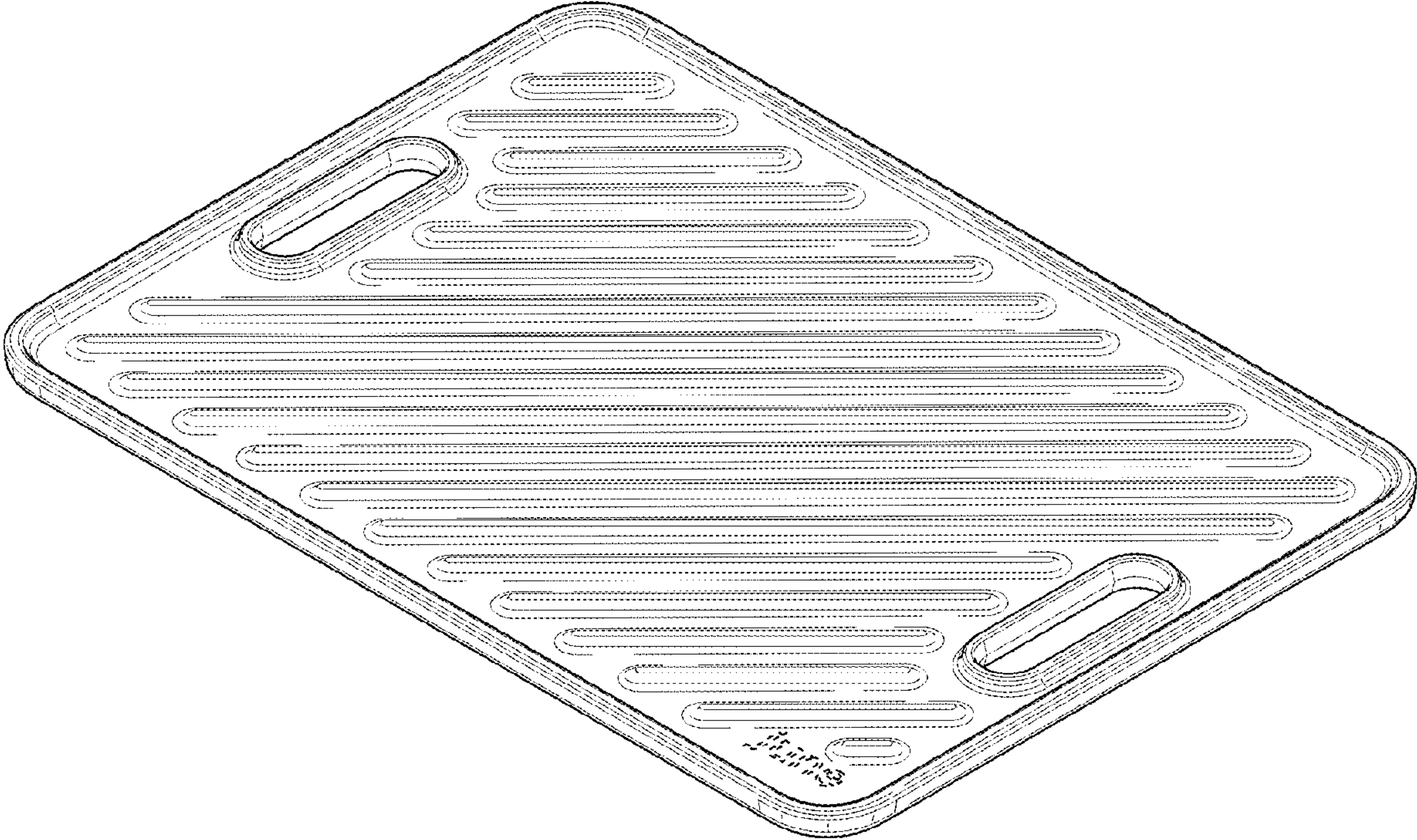


FIG. 1

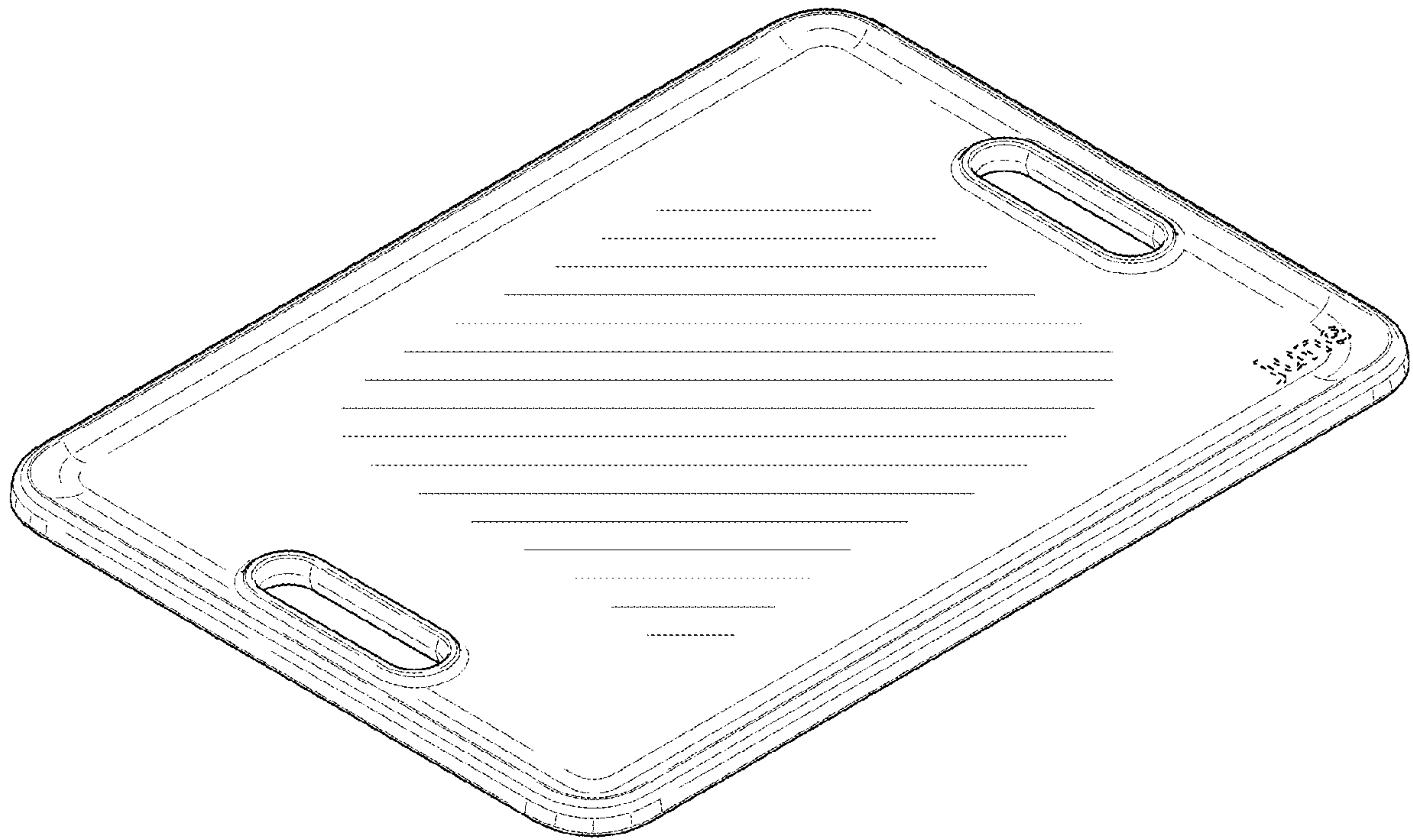


FIG. 2



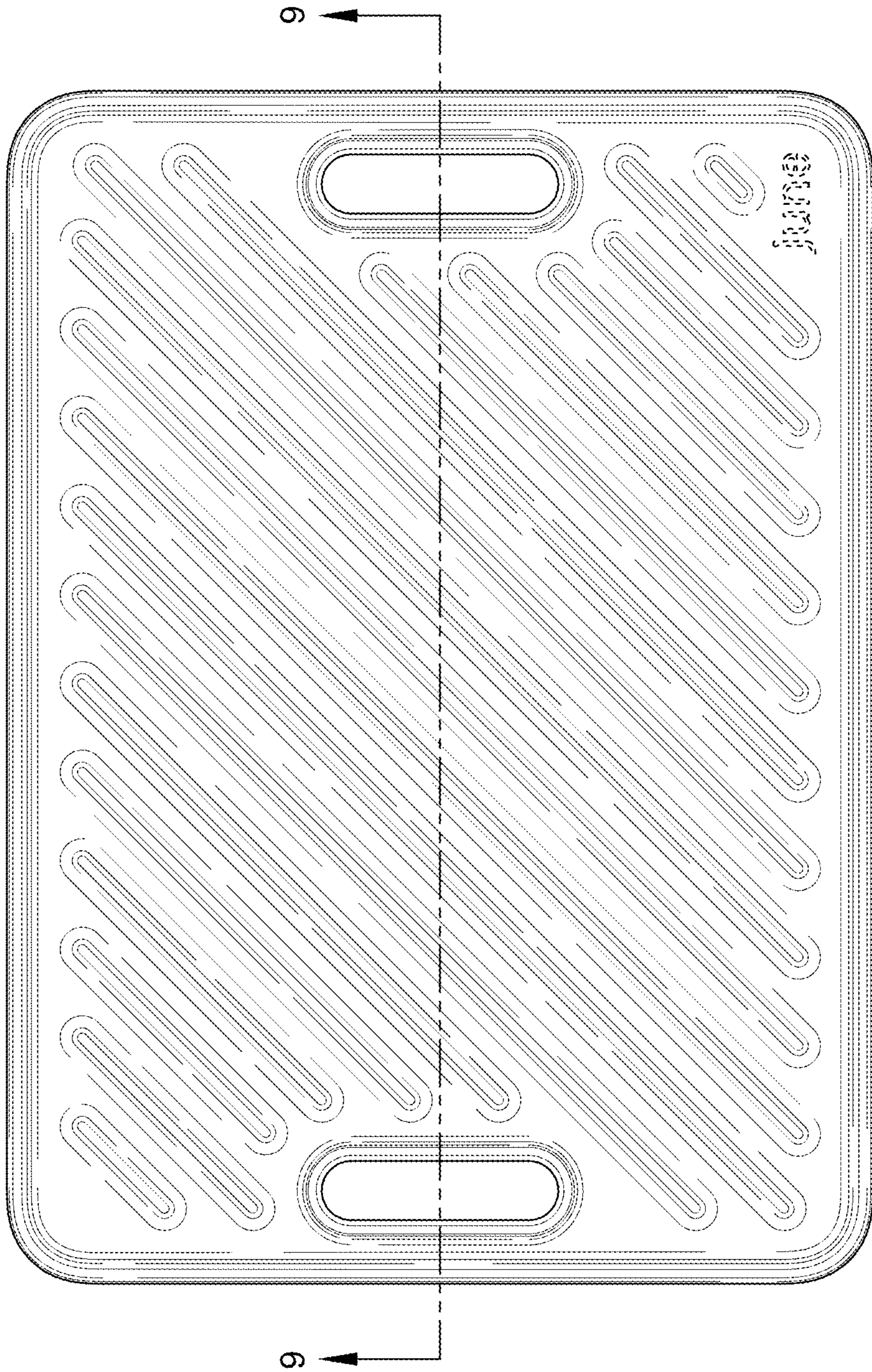


FIG. 3

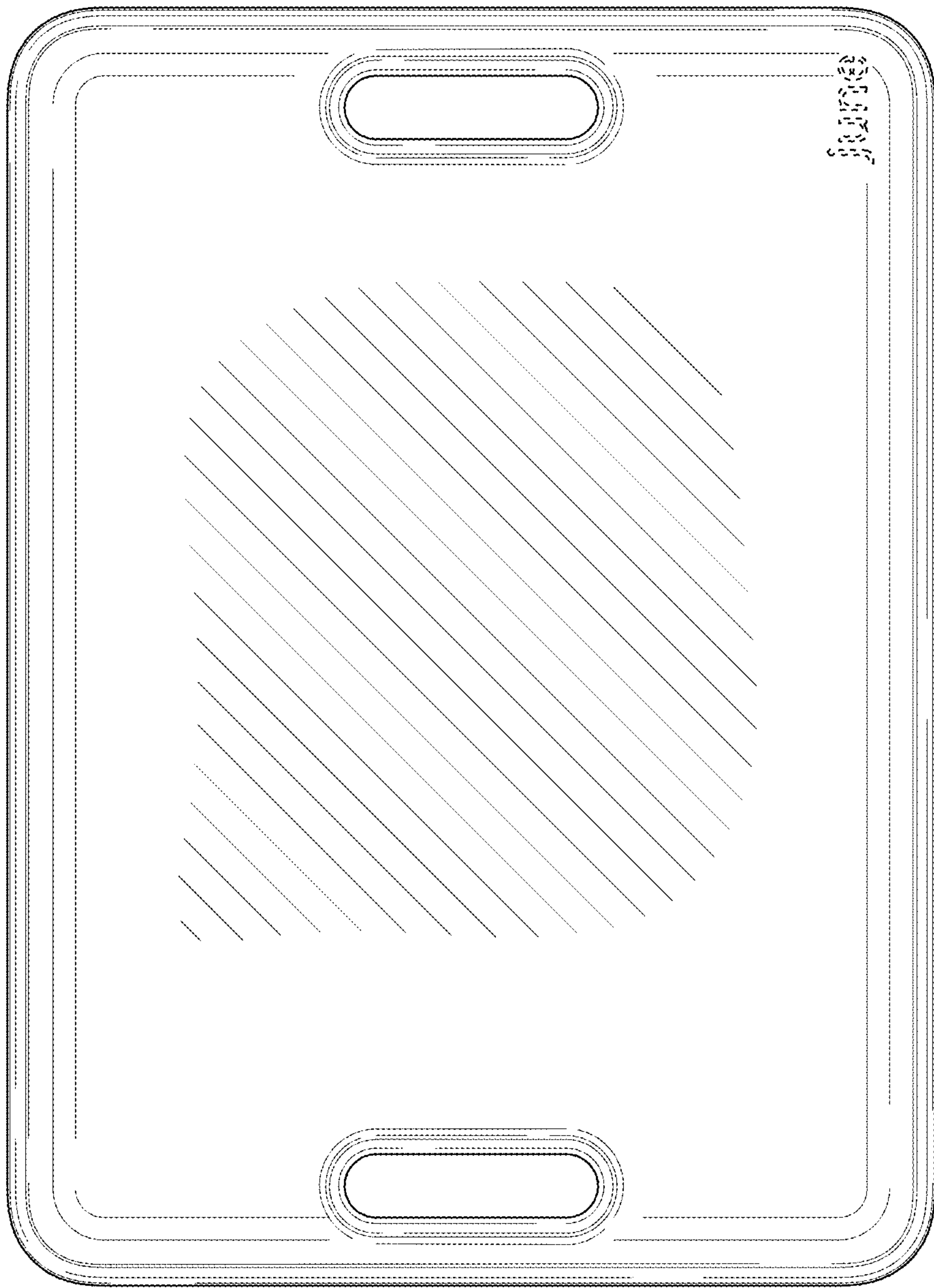


FIG. 4

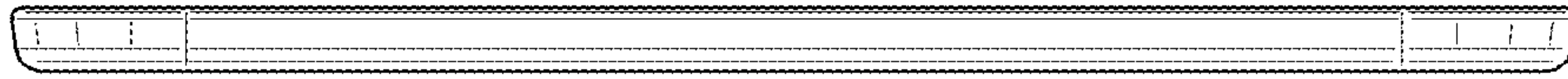


FIG. 5

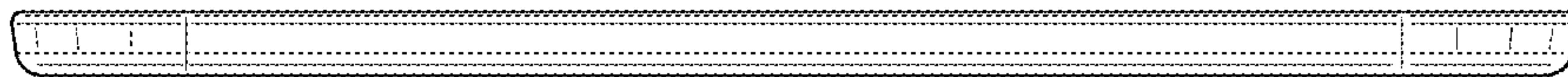


FIG. 6

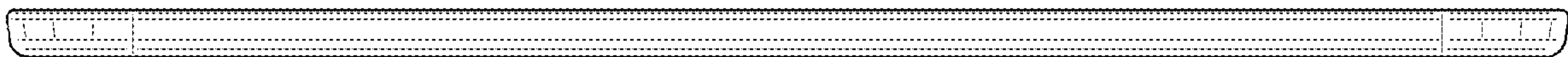


FIG. 7



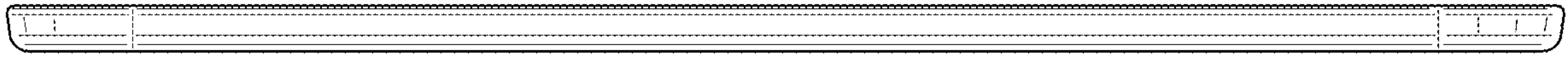


FIG. 8



FIG. 9