

US00D966781S

(12) **United States Design Patent**  
**Amirault et al.**

(10) **Patent No.:** **US D966,781 S**  
(45) **Date of Patent:** **\*\* Oct. 18, 2022**

(54) **SUPPORT PAN**

(71) Applicant: **Sterno Products, LLC.**, Corona, CA (US)

(72) Inventors: **David Amirault**, Corona, CA (US);  
**Steven Lee Cox**, Corona, CA (US);  
**Paul Thomas Zink**, Corona, CA (US);  
**Andrew Brent Mendenhall**, Corona, CA (US);  
**Dennis Matthew Turner**, Corona, CA (US)

(73) Assignee: **Sterno Products, LLC.**, Corona, CA (US)

(\*\*) Term: **15 Years**

(21) Appl. No.: **29/703,633**

(22) Filed: **Aug. 28, 2019**

(51) **LOC (13) Cl.** ..... **07-02**

(52) **U.S. Cl.**  
USPC ..... **D7/359**

(58) **Field of Classification Search**  
USPC ..... D7/323, 338, 352, 354, 355, 356, 357,  
D7/358, 359, 360, 361, 362, 363, 364,  
D7/365, 366, 367, 402, 407, 409;  
D9/736, 749, 755, 758, 760, 456  
CPC .. A21B 3/00; A21B 3/13; A21B 3/131; A21B  
3/132; A21B 3/135; A21B 3/136; A21B  
3/137; A21B 3/15; A21B 5/00; A21B  
5/02; A21B 5/04; A47J 27/00; A47J  
36/00; A47J 36/02; A47J 36/06; A47J  
36/16; A47J 36/24; A47J 36/022; A47J  
36/027; A47J 37/00; A47J 37/01; A47J  
37/04; A47J 37/06; A47J 37/10; A47J  
37/07; A47J 37/0781; A47J 43/20  
See application file for complete search history.

(56) **References Cited**

**U.S. PATENT DOCUMENTS**

3,378,333 A 4/1968 Brite  
3,871,357 A 3/1975 Grosso et al.

5,117,809 A 6/1992 Scaringe et al.  
D348,003 S \* 6/1994 Berger ..... D8/71  
5,542,418 A 8/1996 James  
D395,392 S \* 6/1998 Lahm ..... D9/425  
6,289,889 B1 9/2001 Bell et al.

(Continued)

**FOREIGN PATENT DOCUMENTS**

FR 2659940 A1 9/1991  
JP 2020185028 A \* 11/2020

(Continued)

**OTHER PUBLICATIONS**

Sterno SpeedHeat, announced © 2020 [online], retrieved Sep. 29, 2020, retrieved from internet, <https://www.sternopro.com/sterno-speedheatr-1-2-size-8-kits.html>.\*

(Continued)

*Primary Examiner* — Messina L Smith

(74) *Attorney, Agent, or Firm* — Stetina Brunda Garred and Brucker

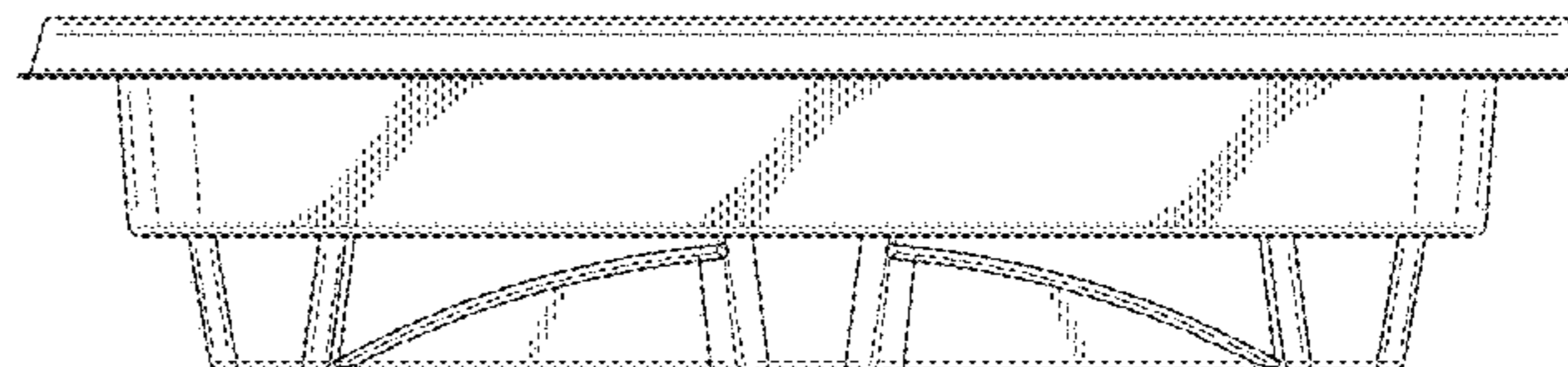
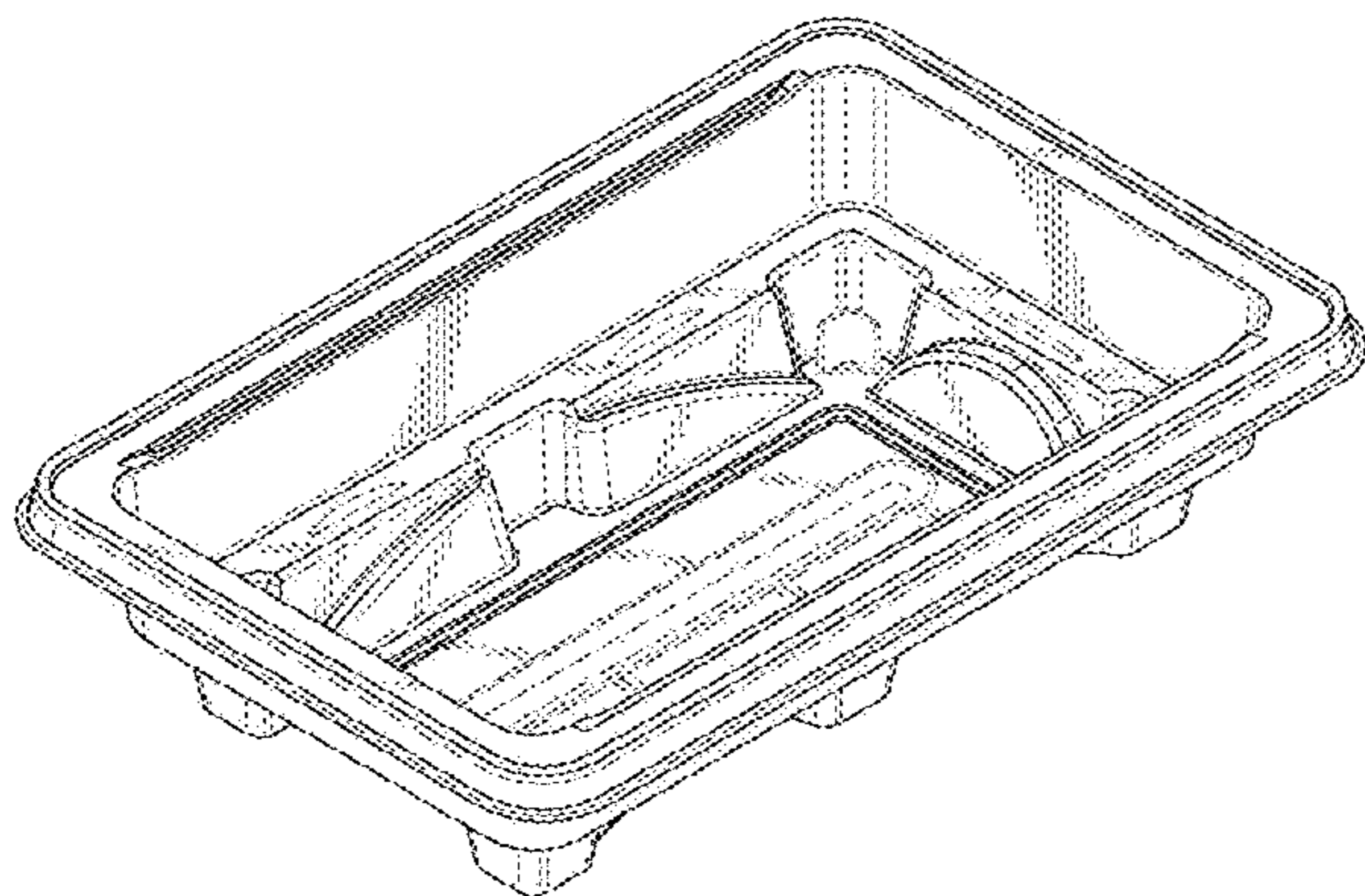
(57) **CLAIM**

The ornamental design for a support pan, as shown and described.

**DESCRIPTION**

FIG. 1 is a top perspective view of a support pan showing the new design;  
FIG. 2 is a top view of the support pan of FIG. 1;  
FIG. 3 is an end view of the support pan of FIG. 1, with the opposing end view being a mirror image thereof;  
FIG. 4 is a side view of the support pan of FIG. 1, with the opposing side view being a mirror image thereof; and,  
FIG. 5 is a bottom view of the support pan of FIG. 1.  
The broken lines shown in the figures depict portions of the support pan that form no part of the claimed design.

**1 Claim, 3 Drawing Sheets**



(56)

References Cited

U.S. PATENT DOCUMENTS

6,440,509 B1 8/2002 Littlejohn et al.  
 6,530,935 B2 3/2003 Wensel et al.  
 7,025,055 B2 4/2006 Scudder et al.  
 7,392,907 B2 7/2008 Herbert et al.  
 D648,535 S \* 11/2011 Reinhart ..... D3/302  
 9,016,511 B2 4/2015 Widitora et al.  
 D759,479 S \* 6/2016 Das ..... D9/425  
 9,435,567 B2 9/2016 Ra  
 D782,332 S \* 3/2017 Kim ..... D9/737  
 9,731,879 B2 8/2017 Sheldon et al.  
 9,851,125 B2 12/2017 Arnold  
 D810,585 S \* 2/2018 Kim ..... D9/737  
 D841,462 S \* 2/2019 Kui ..... D9/425  
 D845,125 S \* 4/2019 Patterson ..... D9/435  
 D866,239 S \* 11/2019 Amirault ..... D7/354  
 D873,066 S \* 1/2020 Amirault ..... D7/354  
 D885,914 S \* 6/2020 Glassman ..... D9/456  
 D887,892 S \* 6/2020 Liu ..... D11/155  
 D890,609 S \* 7/2020 Glassman ..... D9/456  
 D891,852 S \* 8/2020 Halasinski ..... D7/359  
 D894,664 S \* 9/2020 Amirault ..... D7/354  
 D897,847 S \* 10/2020 Glassman ..... D9/456  
 D904,877 S \* 12/2020 Bontrager ..... D9/425  
 D906,753 S \* 1/2021 Sarnoff ..... D7/359  
 D909,864 S \* 2/2021 Bontrager ..... D9/425  
 D932,234 S \* 10/2021 McKenzie ..... D7/359  
 2013/0098800 A1 \* 4/2013 Rehmanji ..... B65D 81/261  
 2015/0017287 A1 1/2015 Sevim  
 2015/0136633 A1 5/2015 Sarnoff et al.  
 2017/0326618 A1 11/2017 Sarnoff et al.

2018/0092493 A1 4/2018 Hale et al.  
 2021/0059468 A1 \* 3/2021 Amirault ..... A47J 36/2405  
 2021/0145211 A1 \* 5/2021 Amirault ..... A47J 36/2405

FOREIGN PATENT DOCUMENTS

WO 2007098031 A2 8/2007  
 WO 2013069832 A1 5/2013

OTHER PUBLICATIONS

Device Packaging, announced © 2020 [online], retrieved Sep. 29, 2020, retrieved from internet, <https://www.brentwood-medical.com/medical-device-packaging/>.\*

Eco Friendly & Biodegradable Molded Pulp Products, no announcement date [online], retrieved Sep. 29, 2020, retrieved from internet, <http://www.paper-pulp.com/wap/Matching-Packaging/2017/0324/pulp-trays.html>.\*

Amirault, David, Design U.S. Appl. No. 29/664,361 for Tray for a Chafing Pan, filed Sep. 24, 2018.

Amirault, David, Design U.S. Appl. No. 29/664,362 for Chafing Pan, filed Sep. 24, 2018.

Amirault, David, Design U.S. Appl. No. 29/664,631 for Tray for a Chafing Pan, filed Sep. 26, 2018.

Amirault, David, U.S. Appl. No. 16/402,053 for Chemically Heated Food Containers, filed May 2, 2019.

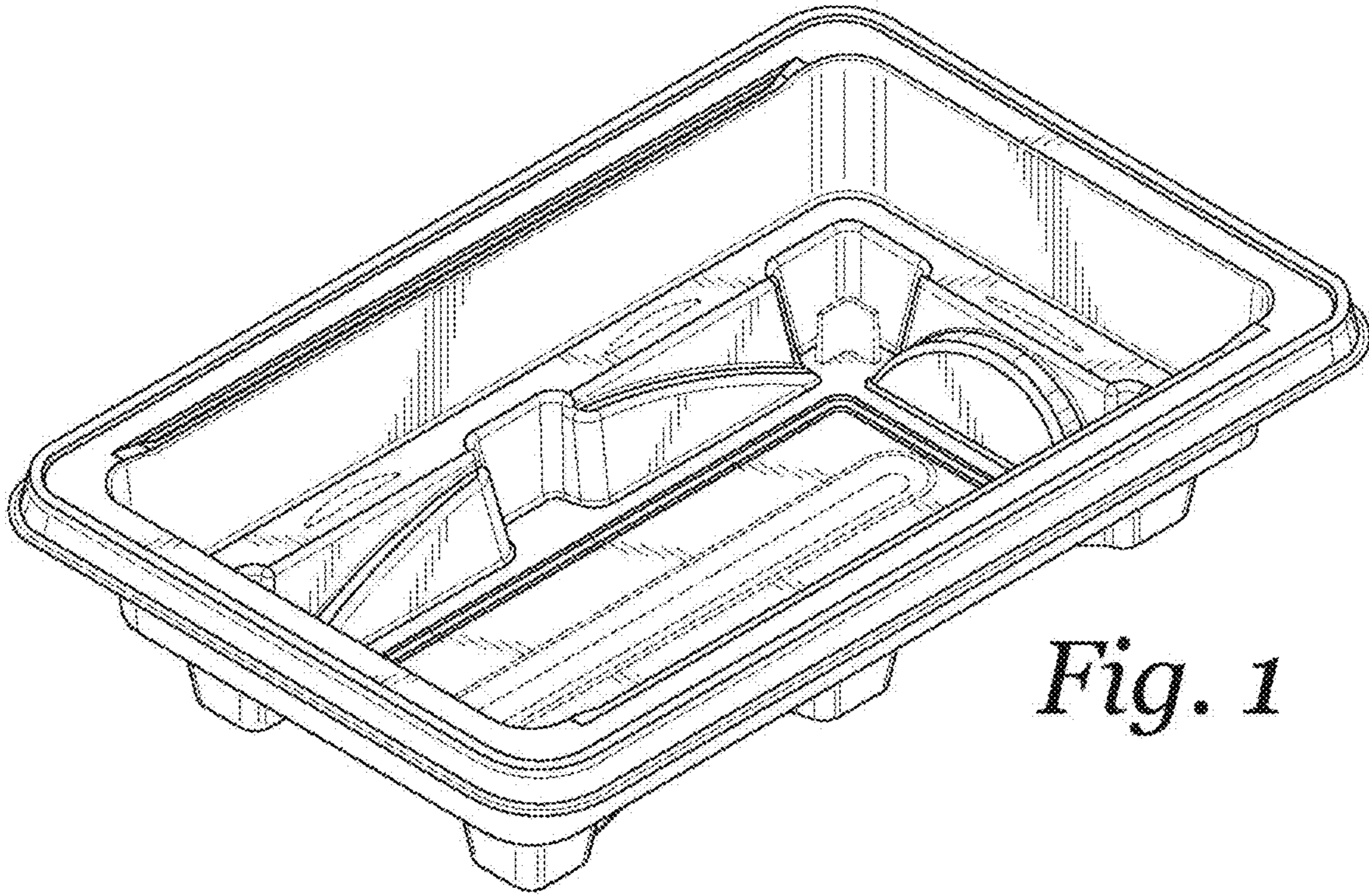
Amirault, David, Design U.S. Appl. No. 29/715,624 for Chafing Pan, filed Dec. 3, 2019.

Amirault, David, et al. Design U.S. Appl. No. 29/703,635 for Steam Stopper, filed Aug. 28, 2019.

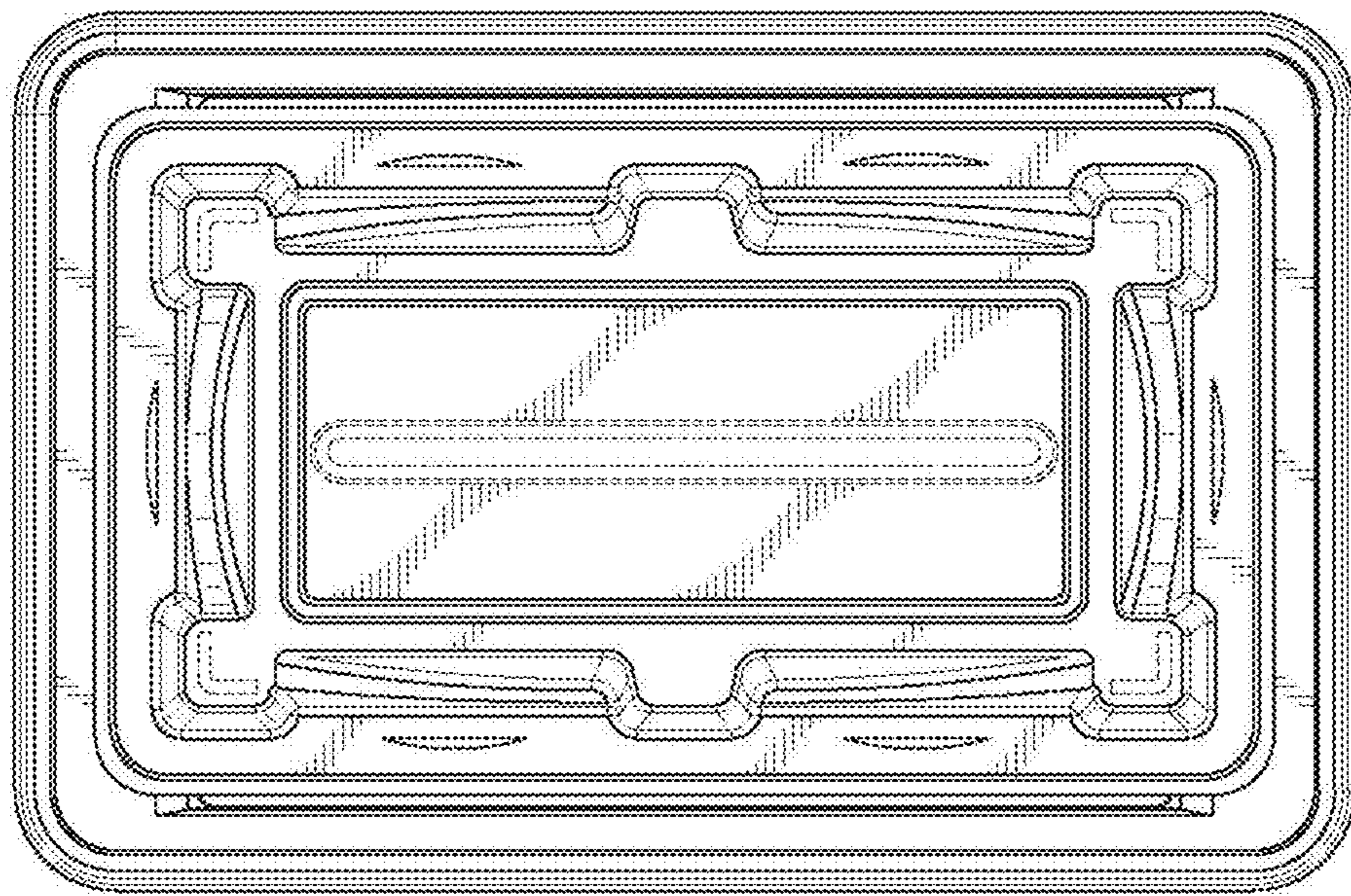
Amirault, David, et al. U.S. Appl. No. 16/559,499 for Chaffing Dish Assembly Having Support Pan and Stopper Rail, filed Sep. 3, 2019.

\* cited by examiner

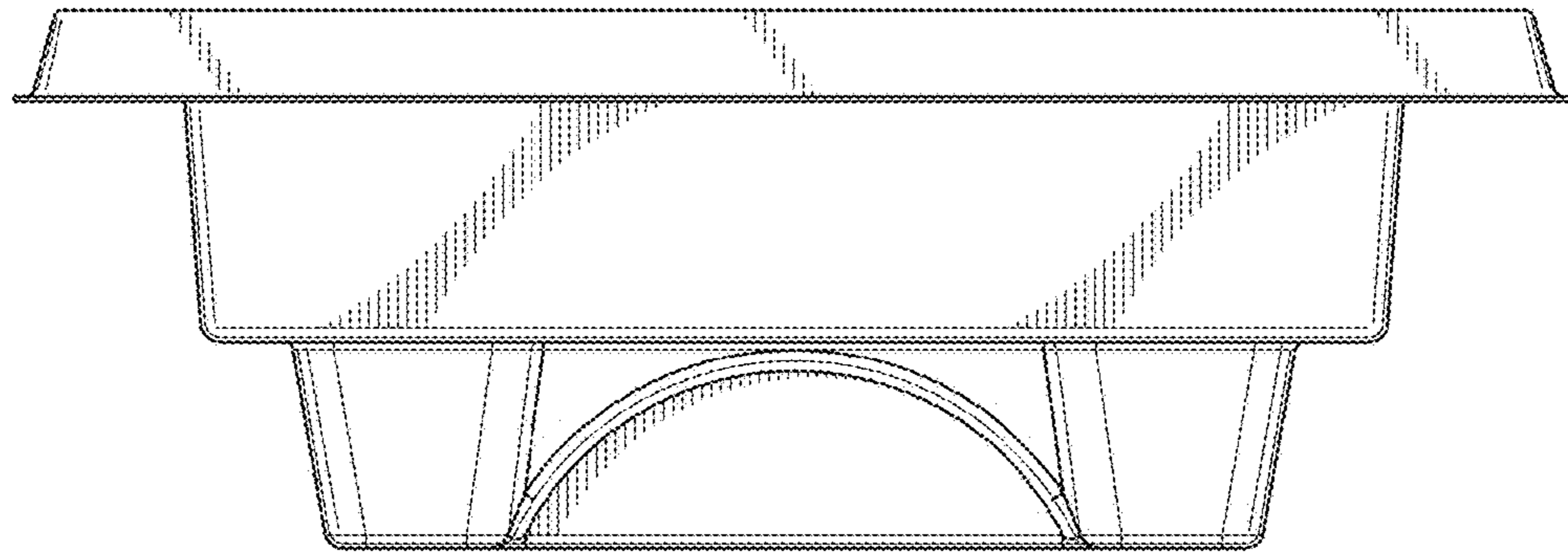




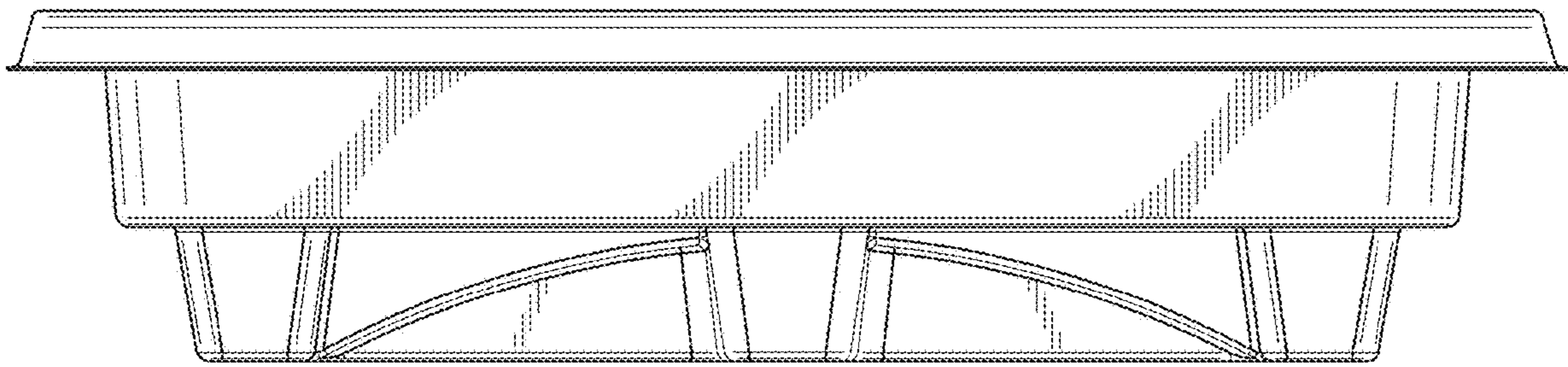
*Fig. 1*



*Fig. 2*

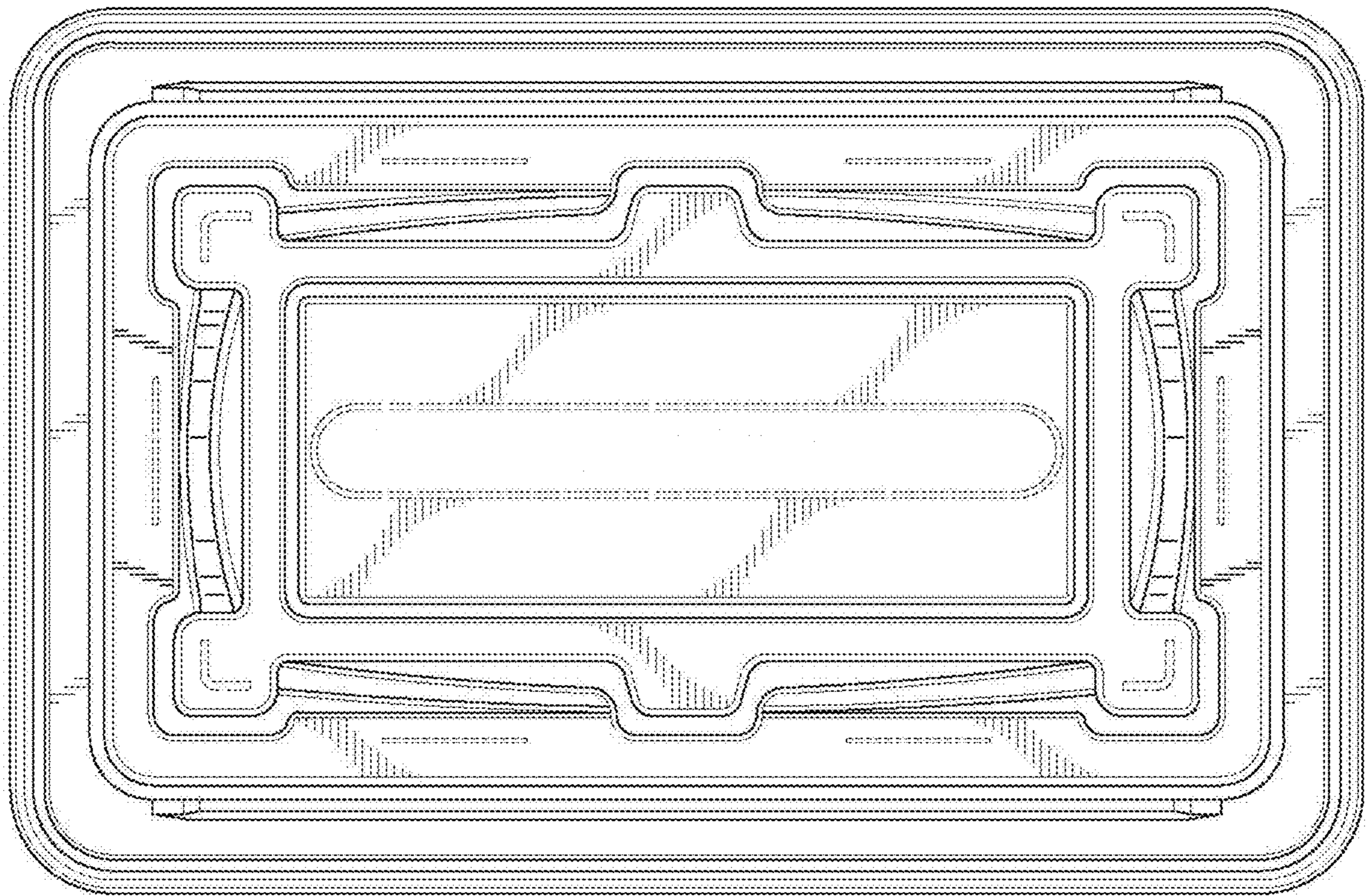


*Fig. 3*



*Fig. 4*





*Fig. 5*