



US00D966780S

(12) **United States Design Patent**
Seymour

(10) **Patent No.:** **US D966,780 S**
(45) **Date of Patent:** **** Oct. 18, 2022**

(54) **PRESSURE COOKER**

(71) Applicant: **National Presto Industries, Inc.**, Eau Claire, WI (US)

(72) Inventor: **Justun C. Seymour**, Eau Claire, WI (US)

(73) Assignee: **National Presto Industries, Inc.**, Eau Claire, WI (US)

(**) Term: **15 Years**

(21) Appl. No.: **29/639,905**

(22) Filed: **Mar. 9, 2018**

(51) **LOC (13) Cl.** **07-02**

(52) **U.S. Cl.**
USPC **D7/358**

(58) **Field of Classification Search**
USPC D7/323, 337, 339, 340, 341, 352, 354, D7/35, 5, 356, 357, 358, 359, 360, 361, D7/362, 363, 364, 365, 366, 367, 393, D7/402, 403, 407, 408, 409, 410, 411, D7/601, 605
CPC A21B 1/06; A21B 1/50; A21B 1/52; A47J 37/04; A47J 37/06; A47J 37/015; A47J 37/067; A47J 37/0611; A47J 37/0629; A47J 37/0676; A47J 37/108; F24C 7/06; F24C 7/083; F24C 15/02; F24C 15/66; H05B 3/20; H05B 3/40
See application file for complete search history.

(56) **References Cited**

U.S. PATENT DOCUMENTS

2,217,369	A	10/1940	Jacobsen et al.
2,424,125	A	7/1947	Sieling
2,595,361	A	5/1952	Keating
3,108,316	A	10/1963	Peale
4,103,801	A	8/1978	Walker
4,143,787	A	3/1979	Walker

4,162,741	A	7/1979	Walker et al.	
D253,388	S	11/1979	Boldt et al.	
D253,746	S	12/1979	Boldt et al.	
D253,867	S	1/1980	Boldt et al.	
D254,769	S	4/1980	Boldt et al.	
4,434,909	A	3/1984	Ott	
D285,644	S	* 9/1986	Kitakaze	D7/358
4,794,666	A	1/1989	Kim	
4,932,550	A	6/1990	Moucha	
D345,886	S	* 4/1994	Gingele	D7/354
D353,969	S	* 1/1995	Savinel	D7/358
D370,827	S	* 6/1996	Combe	D7/358
D380,504	S	* 7/1997	Yang	D21/525
D413,483	S	* 9/1999	Roussard	D7/358
6,920,820	B2	7/2005	Meggison et al.	
D549,517	S	* 8/2007	Moran	D7/358

(Continued)

OTHER PUBLICATIONS

Product Bulletin, Presto® 6-Quart Electric Stainless Steel Pressure Cooker, 2009, 1 page.

(Continued)

Primary Examiner — Messina L Smith

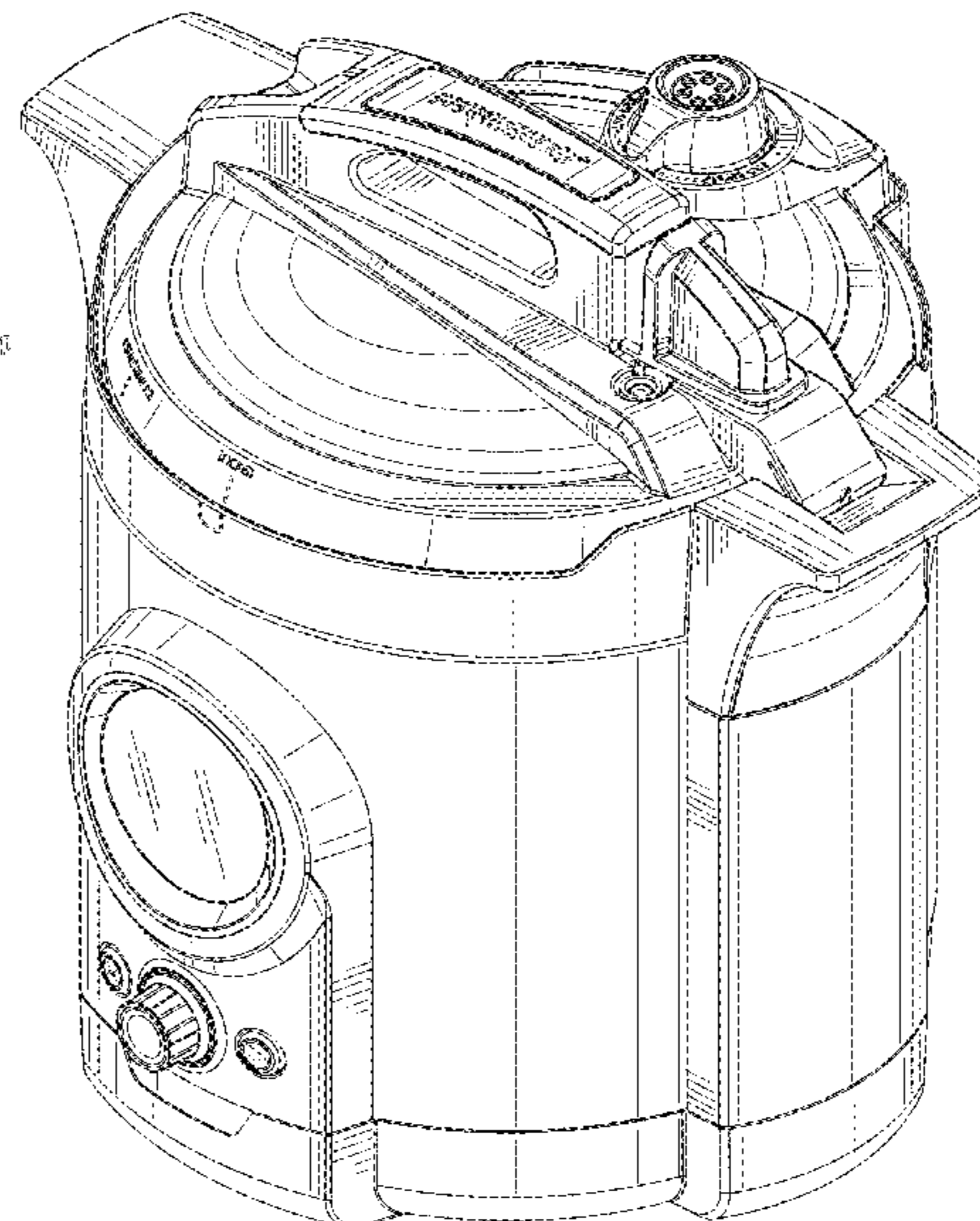
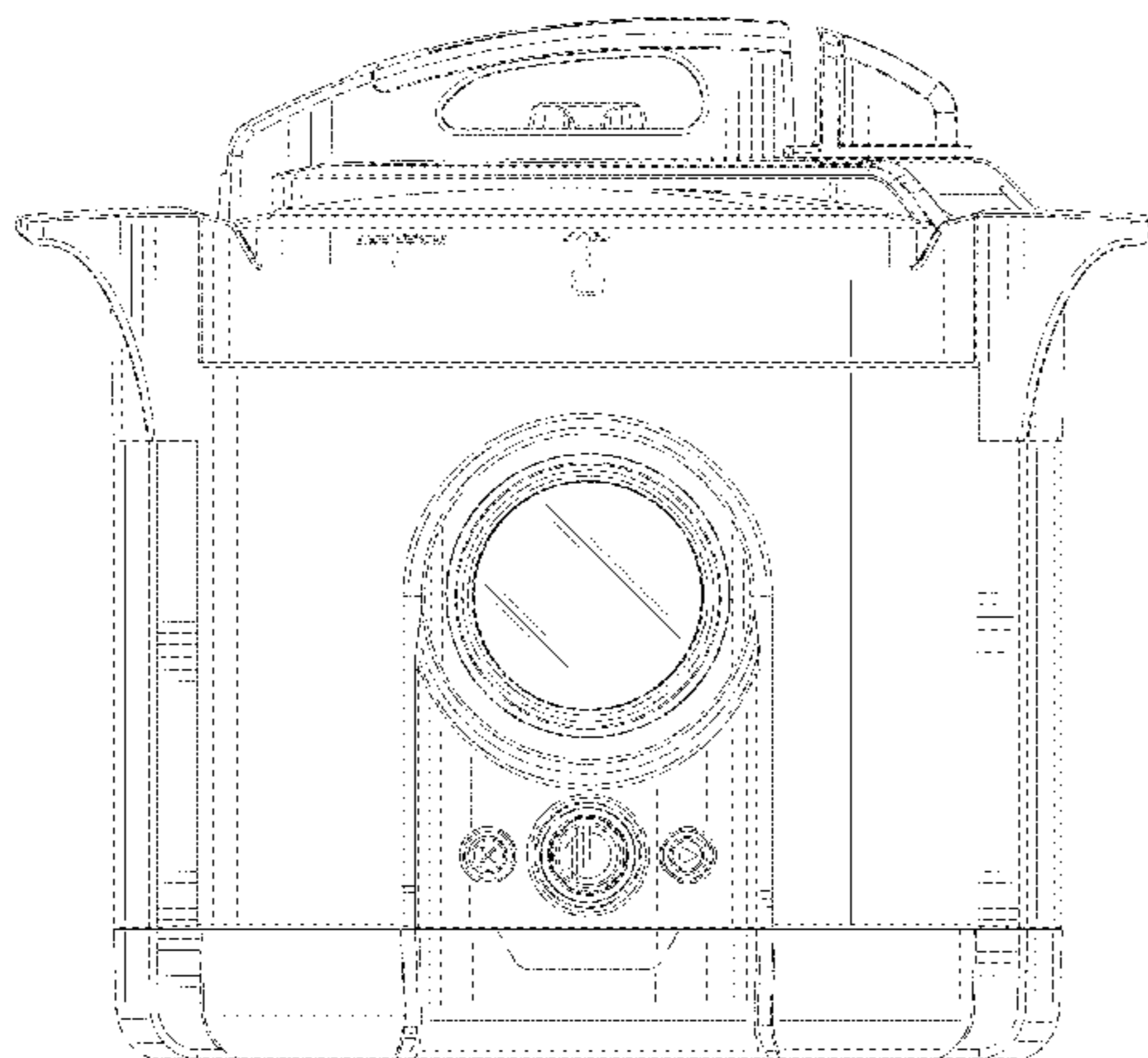
(57) **CLAIM**

I claim the ornamental design for pressure cooker, as shown and described.

DESCRIPTION

FIG. 1 is a front view of a pressure cooker showing the new design;
FIG. 2 is a left side view thereof;
FIG. 3 is a right side view thereof;
FIG. 4 is a rear view thereof;
FIG. 5 is a top thereof;
FIG. 6 is a bottom view thereof; and,
FIG. 7 is a top, perspective view thereof.
The broken lines in the drawings depict portions of the pressure cooker that form no part of the claimed design.

1 Claim, 7 Drawing Sheets



(56)

References Cited

U.S. PATENT DOCUMENTS

D611,758 S * 3/2010 Seymour D7/354
 D641,203 S * 7/2011 Josancy D7/354
 D642,422 S * 8/2011 Averty D7/354
 8,276,507 B1 10/2012 Walker
 9,138,106 B2 9/2015 Walker
 D770,843 S * 11/2016 Chung D7/354
 D770,844 S * 11/2016 Chung D7/354
 D801,105 S * 10/2017 Sandberg D7/354
 D802,987 S * 11/2017 Corlay D7/358
 D804,890 S * 12/2017 Benoit D7/354
 D830,108 S * 10/2018 Azumi D7/358
 D832,024 S * 10/2018 Wessels D7/354
 D832,638 S * 11/2018 Hiltenbrand D7/358
 D838,546 S * 1/2019 Wang D7/406
 D846,335 S * 4/2019 Yang D7/358
 D846,336 S * 4/2019 Hoenderdos D7/358
 2017/0290452 A1 * 10/2017 Guillaume A47J 27/0806

OTHER PUBLICATIONS

Product Bulletin, Presto® 4-Quart Aluminum Pressure Cooker, 2009, 2 pages.
 Product Bulletin, Presto® 4-Quart Stainless Steel Pressure Cooker, 2009, 2 pages.
 Product Bulletin, Presto® 6-Quart Aluminum Pressure Cooker, 2009, 2 pages.
 Product Bulletin, Presto® 6-Quart Stainless Steel Pressure Cooker, 2009, 2 pages.
 Product Bulletin, Presto® 6-Quart Stainless Steel Pressure Cooker with Colander Cover, 2009, 2 pages.
 Product Bulletin, Presto® 8-Quart Aluminum Stainless Steel Pressure Cooker, 2009, 2 pages.
 Product Bulletin, Presto® 8-Quart Stainless Steel Pressure Cooker, 2009, 2 pages.
 Application and File history for U.S. Appl. No. 12/617,362, filed Nov. 12, 2009. Inventor: Shane R. Walker.

* cited by examiner

FIG. 1

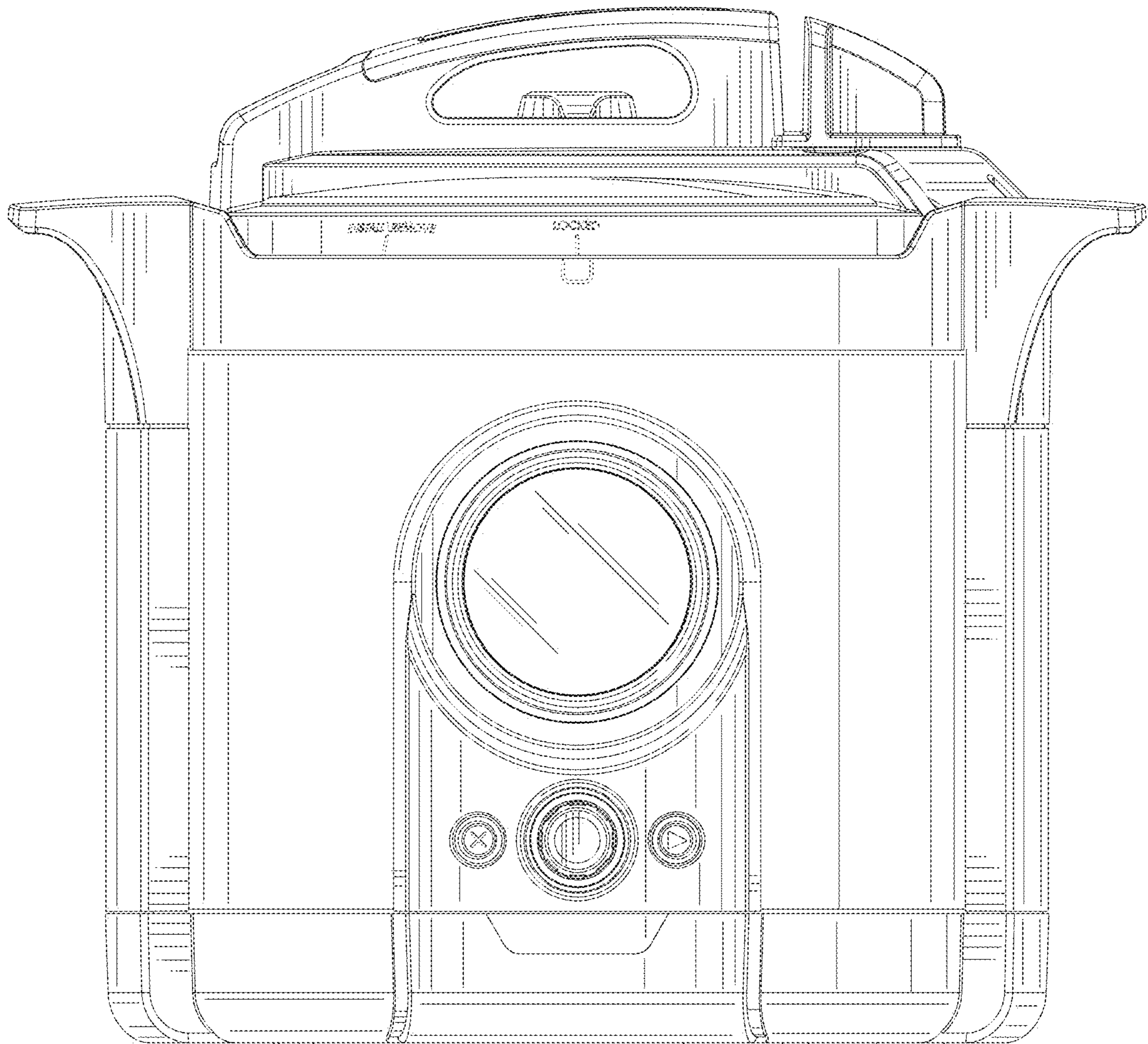


FIG. 2

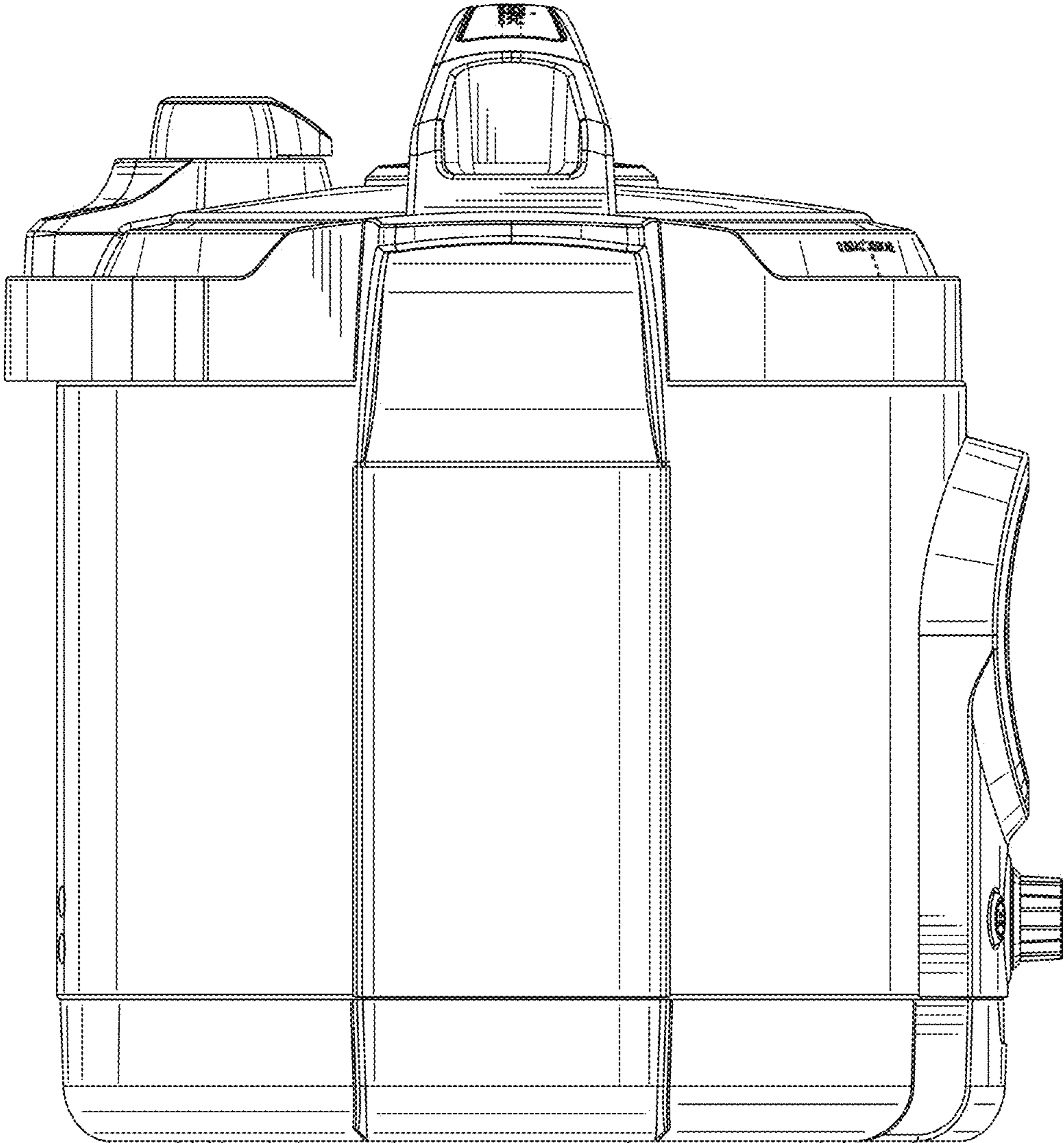


FIG. 3

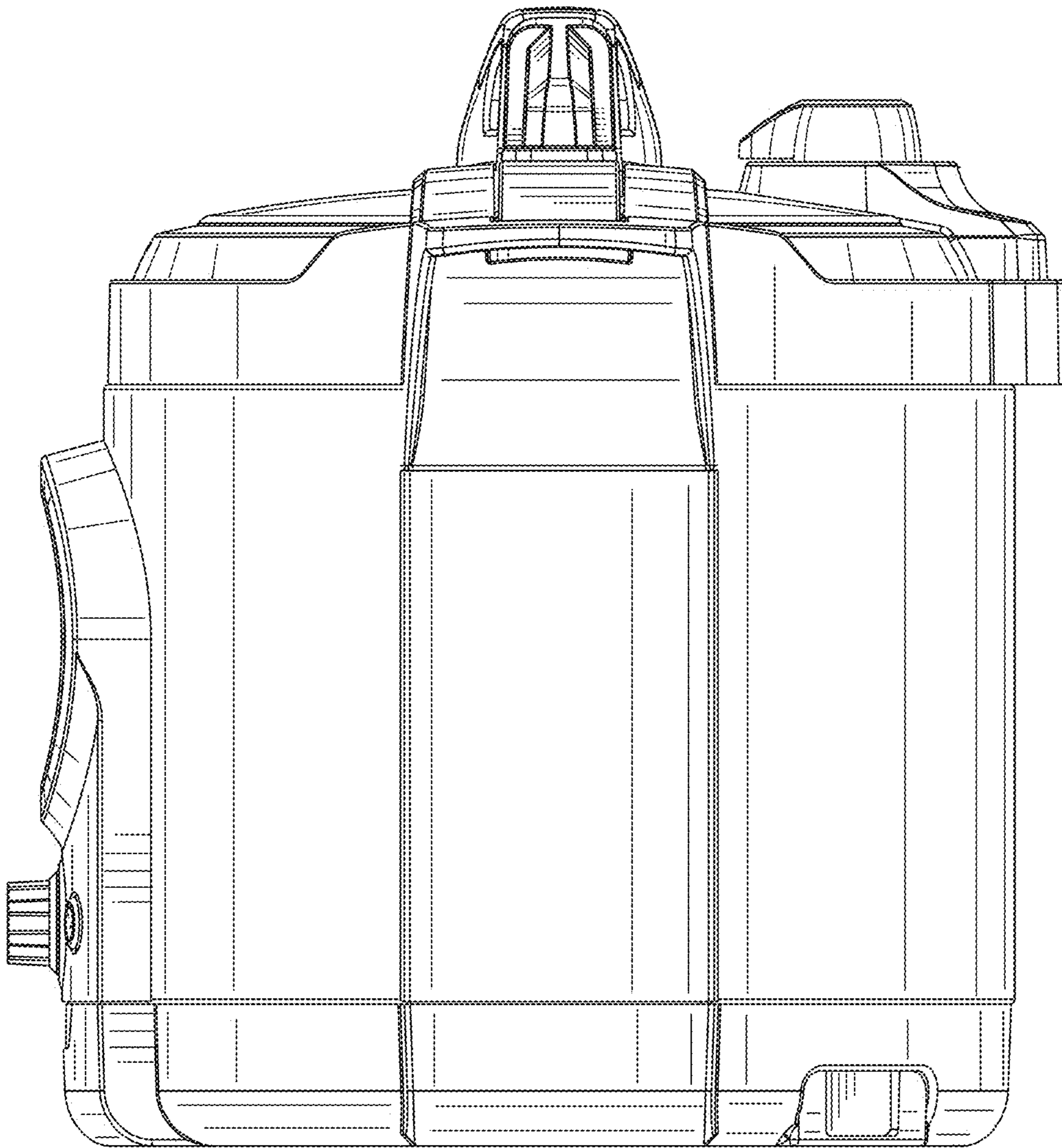


FIG. 4

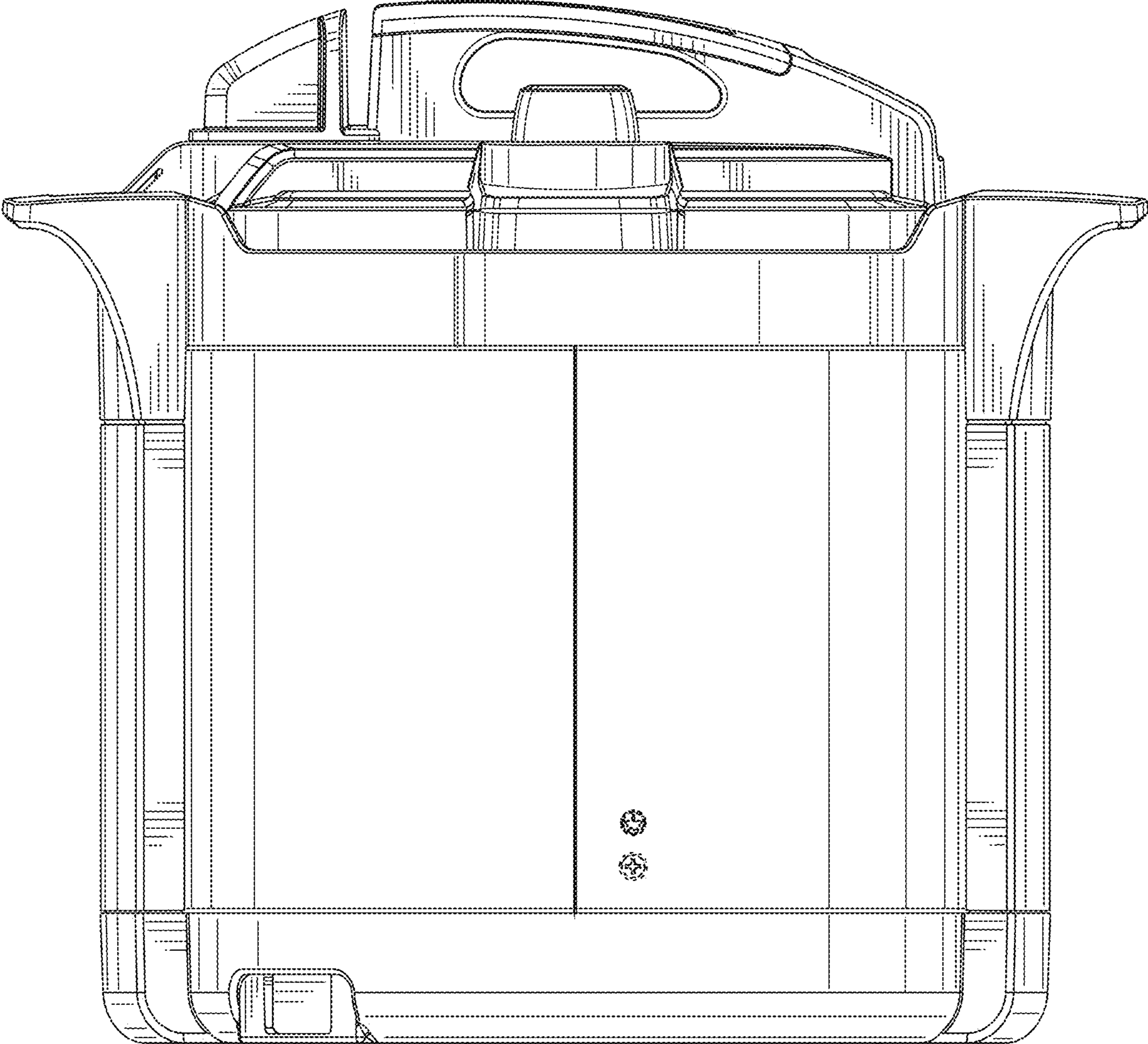


FIG. 5

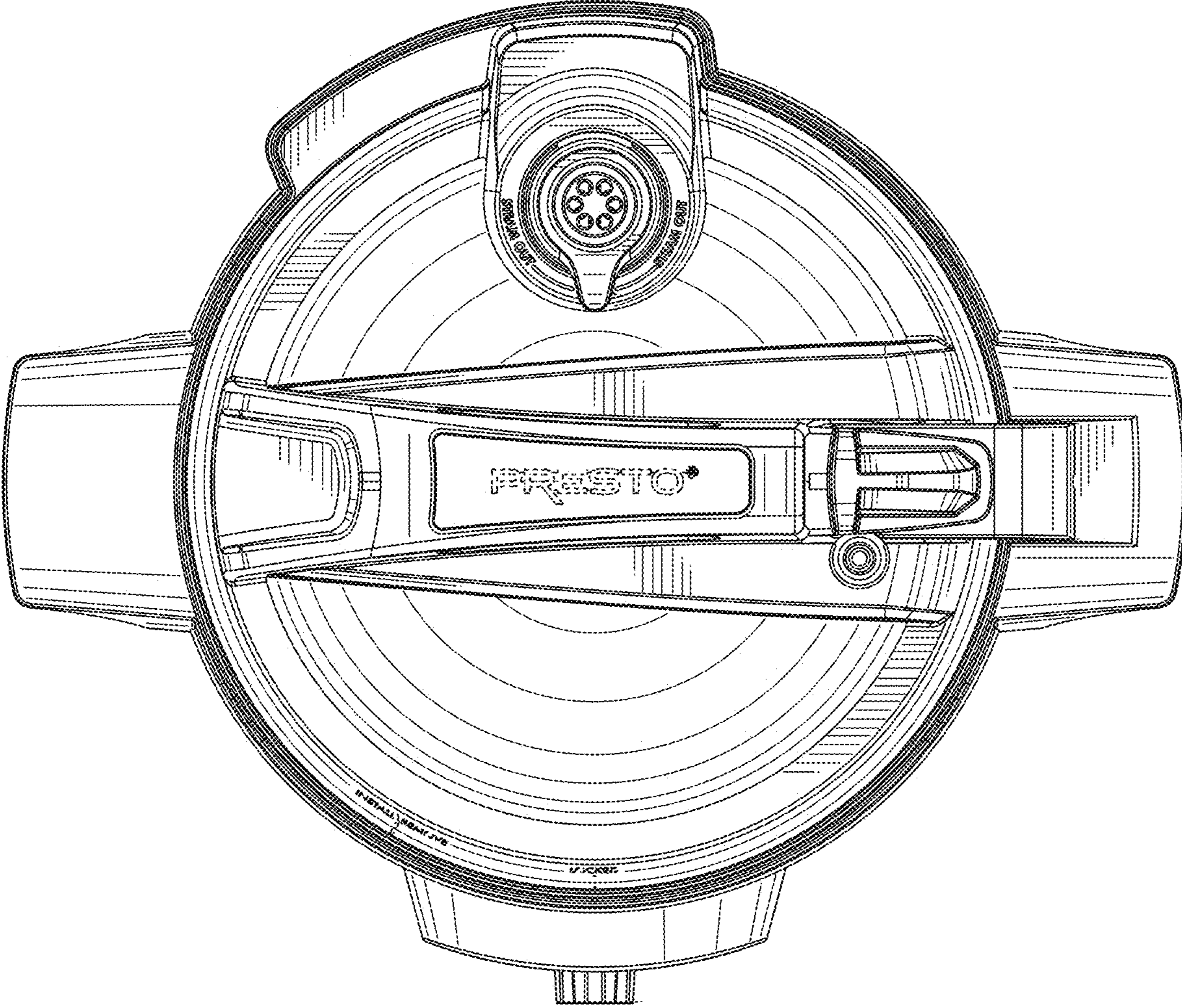


FIG. 6

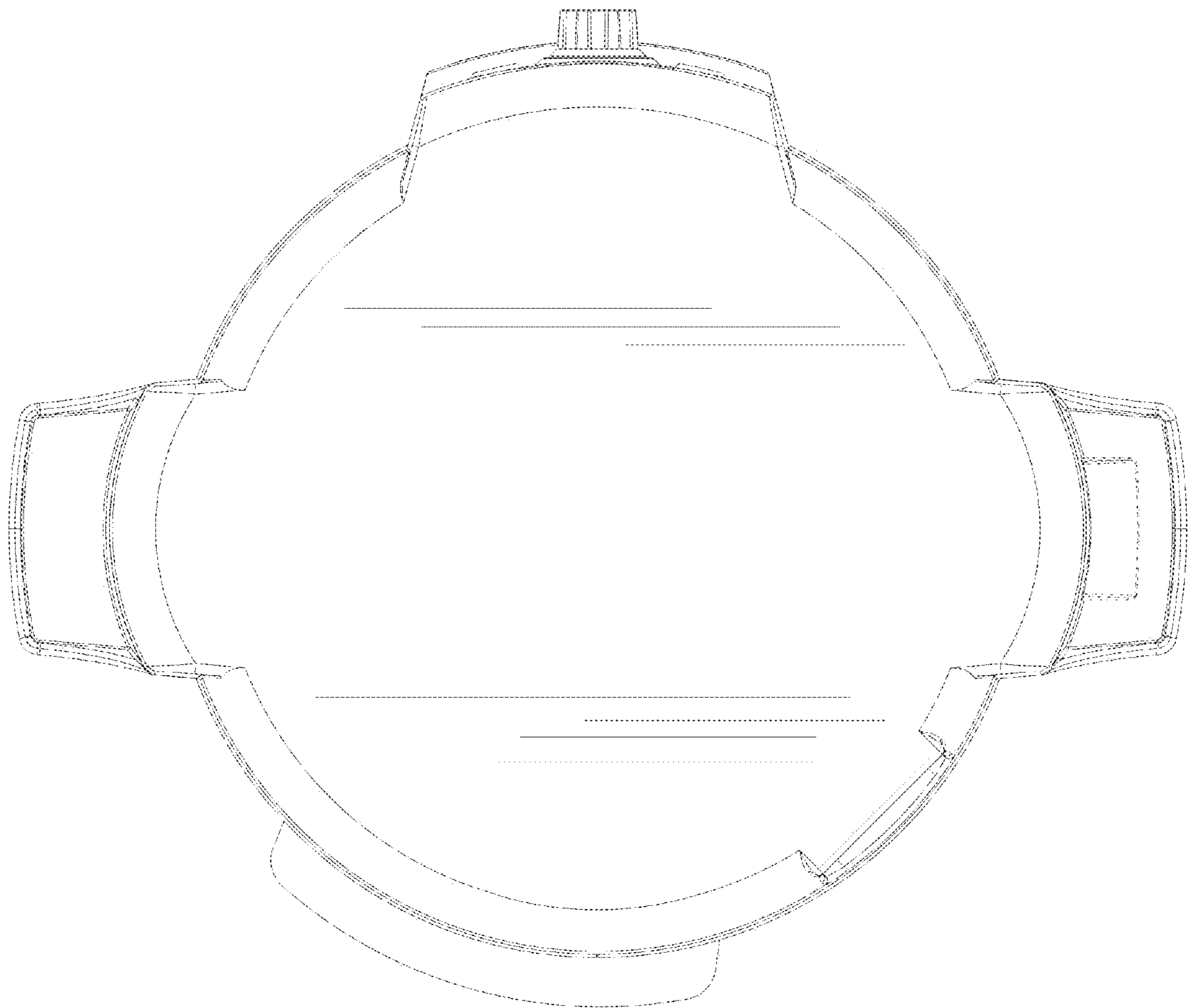


FIG. 7

