

US00D966779S

(12) **United States Design Patent**
Zhou

(10) **Patent No.:** **US D966,779 S**

(45) **Date of Patent:** **** Oct. 18, 2022**

(54) **POT LID**

(71) Applicant: **MIDEA GROUP CO., LTD.**, Foshan (CN)

(72) Inventor: **Runsheng Zhou**, Guangdong (CN)

(73) Assignee: **MIDEA GROUP CO., LTD.**, Foshan (CN)

(**) Term: **15 Years**

(21) Appl. No.: **35/511,242**

(22) Filed: **Oct. 28, 2020**

(80) **Hague Agreement Data**

Int. Filing Date: **Oct. 28, 2020**

Int. Reg. No.: **DM/212336**

Int. Reg. Date: **Oct. 28, 2020**

Int. Reg. Pub. Date: **Jan. 29, 2021**

(30) **Foreign Application Priority Data**

Jul. 16, 2020 (CN) 202030388480.X

(51) **LOC (13) Cl.** **07-02**

(52) **U.S. Cl.**
USPC **D7/354**

(58) **Field of Classification Search**
USPC D7/323, 354, 355, 358, 387, 391, 402
CPC A47J 27/00; A47J 27/004; A47J 27/04;
A47J 27/08; A47J 27/0817; A47J 27/086;
A47J 27/09; A47J 27/10; A47J 36/00;
A47J 36/06; A47J 36/062; A47J 36/066;
A47J 36/10

See application file for complete search history.

(56) **References Cited**

U.S. PATENT DOCUMENTS

3,801,331 A * 4/1974 Sano A47J 36/38
D7/354
4,148,250 A * 4/1979 Miki A47J 36/06
99/403

D285,644 S * 9/1986 Kitakaze D7/358
D323,764 S * 2/1992 Sautour D7/393
D341,056 S * 11/1993 Powell D7/354
D347,548 S * 6/1994 Boehm D7/323
D366,592 S * 1/1996 Cesaroni D7/355
D369,505 S * 5/1996 Philippe D7/354
D413,483 S * 9/1999 Roussard D7/358
D418,007 S * 12/1999 Boughey D7/358
D437,183 S * 2/2001 Wong D7/362
D444,667 S * 7/2001 Wong D7/362
D465,128 S * 11/2002 Au D7/391
D488,669 S * 4/2004 Tse D7/355
D532,248 S * 11/2006 Allende Fritsch D7/354
D549,517 S * 8/2007 Moran D7/358
D619,892 S * 7/2010 Welk A47J 36/12
D7/391
D620,744 S * 8/2010 Rose D7/354
D620,746 S * 8/2010 Hsiao D7/354
D642,422 S * 8/2011 Averty D7/354
D647,752 S * 11/2011 Curtis D7/354
D677,118 S * 3/2013 Rosenfeld D7/392

(Continued)

Primary Examiner — Steven J Czyz

(57) **CLAIM**

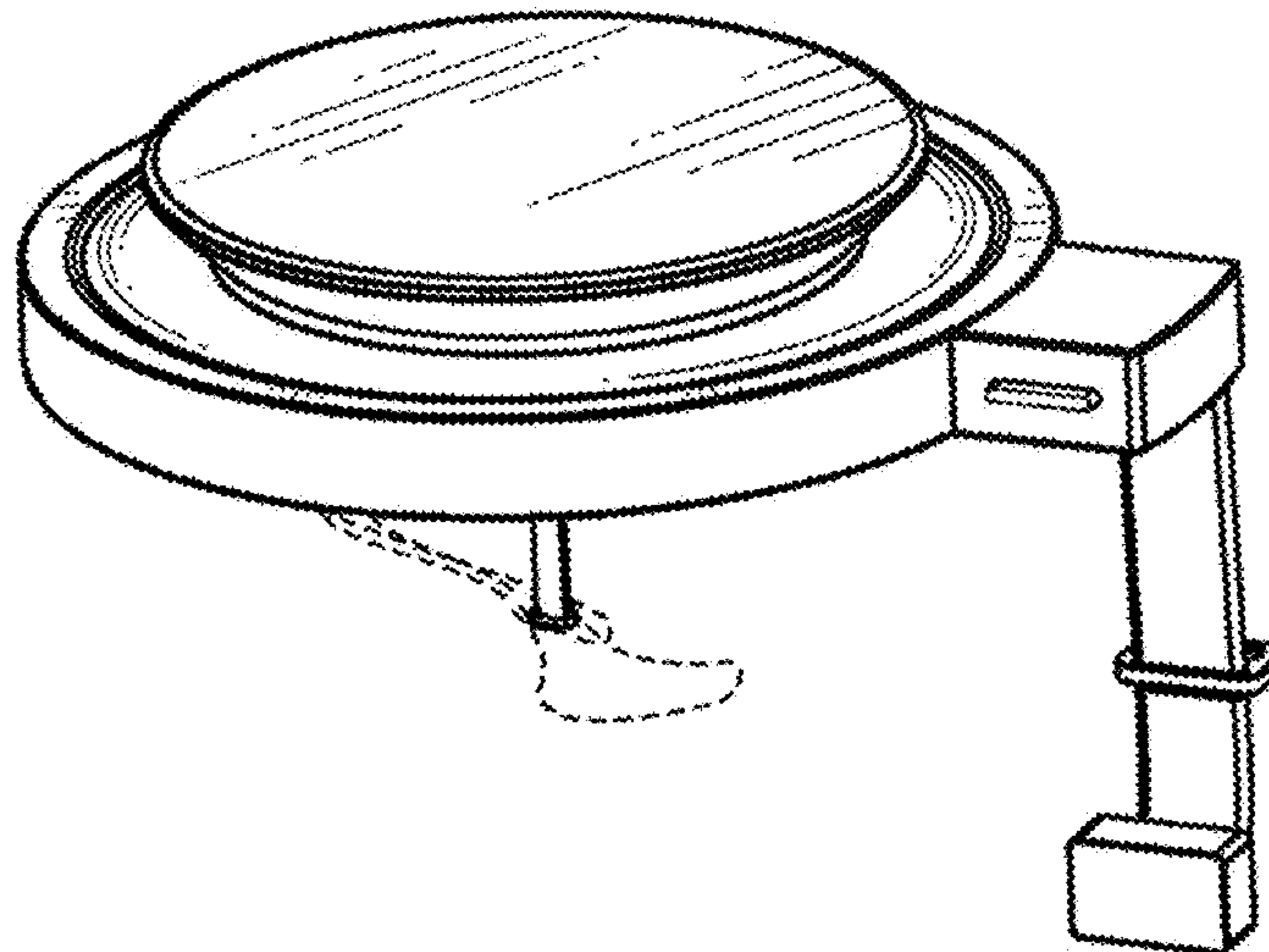
The ornamental design for a pot lid, as shown and described.

DESCRIPTION

- 1. Pot lid
- 1.1 Front
- 1.2 Back
- 1.3 Left
- 1.4 Right
- 1.5 Top
- 1.6 Bottom
- 1.7 Perspective

The broken lines shown in the reproductions depict portions of the pot lid that form no part of the claimed design.

1 Claim, 7 Drawing Sheets



(56)

References Cited

U.S. PATENT DOCUMENTS

D692,719 S * 11/2013 Shahani D7/354
 D694,576 S * 12/2013 Meyer D7/393
 D703,994 S * 5/2014 Tumenbatur D7/358
 D704,500 S * 5/2014 Kim D7/354
 D711,182 S * 8/2014 Roussard D7/354
 D713,197 S * 9/2014 Seyers D7/354
 D715,088 S * 10/2014 Kim D7/354
 D749,896 S * 2/2016 Pallotto D7/354
 D755,006 S * 5/2016 Prats D7/354
 D756,159 S * 5/2016 Chang D7/354
 D763,036 S * 8/2016 Smart D7/354
 D789,144 S * 6/2017 Prats D7/358
 D802,987 S * 11/2017 Corlay D7/354
 D809,854 S * 2/2018 Shin D7/391
 D817,068 S * 5/2018 Eades D7/354
 D821,134 S * 6/2018 Eades D7/354
 D827,360 S * 9/2018 Chung D7/354
 D833,202 S * 11/2018 Yang D7/354
 D838,546 S * 1/2019 Wang D7/406
 D844,380 S * 4/2019 Berge D7/402
 D846,335 S * 4/2019 Yang D7/354
 D846,336 S * 4/2019 Hoenderdos D7/358
 D853,180 S * 7/2019 Jamison D7/354
 D854,875 S * 7/2019 Tan D7/354
 D860,712 S * 9/2019 Yang D7/354
 D861,411 S * 10/2019 Huang D7/354
 D861,412 S * 10/2019 Yang D7/354
 D862,971 S * 10/2019 Taniguchi D7/354
 D864,650 S * 10/2019 Hua D7/354
 D871,828 S * 1/2020 Tan D7/354
 D873,602 S * 1/2020 Varjabedian D7/354
 D876,874 S * 3/2020 Varjabedian D7/354
 D883,014 S * 5/2020 Varjabedian D7/354
 D883,015 S * 5/2020 Deng D7/354
 D886,510 S * 6/2020 Zhang D7/354
 D887,197 S * 6/2020 Li D7/354
 D887,198 S * 6/2020 Zhao D7/354
 D899,178 S * 10/2020 Ye D7/354
 D901,230 S * 11/2020 Ye D7/354
 D904,110 S * 12/2020 Han D7/393
 D907,427 S * 1/2021 Ye D7/354
 D910,365 S * 2/2021 Qin D7/358
 D911,765 S * 3/2021 Jiang D7/367
 D915,125 S * 4/2021 Moon A47J 27/002
 D915,126 S * 4/2021 Moon A47J 27/0813
 D915,825 S * 4/2021 Wang A47J 27/086
 D920,732 S * 6/2021 Deng A47J 43/046
 D920,733 S * 6/2021 Cozzolino A47J 43/0465
 D925,274 S * 7/2021 Dorion A47J 37/0623
 D926,513 S * 8/2021 Moon A47J 27/08
 D927,919 S * 8/2021 Wang A47J 27/0806
 D7/358

D929,792 S * 9/2021 Fransen A47J 27/0806
 D7/354
 D930,423 S * 9/2021 Wang A47J 36/08
 D7/354
 D931,034 S * 9/2021 Fung A47J 36/10
 D7/358
 D942,797 S * 2/2022 Chen A47J 27/0808
 D7/354
 D943,337 S * 2/2022 Chen A47J 37/105
 D7/354
 D945,812 S * 3/2022 McVey D7/354
 2002/0040711 A1 * 4/2002 Anthony A47J 37/101
 126/381.1
 2005/0284305 A1 * 12/2005 Angue A47J 27/0808
 99/337
 2007/0137499 A1 * 6/2007 Leon A47J 37/105
 99/422
 2009/0020021 A1 * 1/2009 Rhetat A47J 27/0802
 99/342
 2009/0101643 A1 * 4/2009 Rhetat A47J 27/09
 220/303
 2013/0019759 A1 * 1/2013 Tumenbatur A47J 27/0813
 126/374.1
 2013/0255509 A1 * 10/2013 He A47J 27/0804
 99/352
 2014/0339223 A1 * 11/2014 Backaert A47J 27/0806
 219/734
 2014/0353316 A1 * 12/2014 Lin A47J 36/08
 220/573.1
 2015/0136769 A1 * 5/2015 Quinn A47J 36/10
 220/240
 2015/0257590 A1 * 9/2015 Hammad A47J 36/10
 219/432
 2016/0135636 A1 * 5/2016 Song A47J 27/08
 219/431
 2016/0353914 A1 * 12/2016 Chameroy A47J 27/0806
 2017/0188749 A1 * 7/2017 Prandelli A47J 36/10
 2017/0347833 A1 * 12/2017 Ohta A47J 37/0623
 2017/0360237 A1 * 12/2017 Ohta A47J 43/046
 2018/0279832 A1 * 10/2018 Ohta A47J 43/0465
 2019/0167028 A1 * 6/2019 Wang A47J 36/06
 2019/0274462 A1 * 9/2019 Moon A47J 27/086
 2020/0000263 A1 * 1/2020 Peng A47J 27/0802
 2020/0128998 A1 * 4/2020 Qin A47J 27/0815
 2020/0224934 A1 * 7/2020 Itzkowitz A47J 27/002
 2020/0323380 A1 * 10/2020 Wang A47J 27/0813
 2020/0352384 A1 * 11/2020 Houjun A47J 27/086
 2020/0359824 A1 * 11/2020 Han A47J 27/004
 2021/0000292 A1 * 1/2021 Siu A21B 1/26
 2021/0015297 A1 * 1/2021 Qin A47J 36/10
 2021/0085128 A1 * 3/2021 Kennedy A47J 36/10
 2021/0113008 A1 * 4/2021 Luce F16K 17/06
 2021/0121013 A1 * 4/2021 Elliston A47J 27/09
 2021/0137299 A1 * 5/2021 Moon A47J 37/0641
 2021/0137300 A1 * 5/2021 Moon A47J 27/09
 2021/0198024 A1 * 7/2021 Larson B65D 81/3438
 2021/0259453 A1 * 8/2021 Newhouse A47J 36/16
 2021/0378442 A1 * 12/2021 Han A47J 37/0641
 2021/0378449 A1 * 12/2021 Han B01F 35/3204
 2021/0378450 A1 * 12/2021 Han B01F 27/90
 2022/0000301 A1 * 1/2022 Huang A47J 37/0641
 2022/0039585 A1 * 2/2022 Hensley A47J 27/0802

* cited by examiner

