



US00D966778S

(12) **United States Design Patent**  
**Huang**

(10) **Patent No.:** **US D966,778 S**  
(45) **Date of Patent:** **\*\* Oct. 18, 2022**

- (54) **TOASTER**
- (71) Applicant: **Hamilton Beach Brands, Inc.**, Glen Allen, VA (US)
- (72) Inventor: **Rong Lu. Huang**, Guangdong Province (CN)
- (73) Assignee: **Hamilton Beach Brands, Inc.**, Glen Allen, VA (US)

- D628,430 S \* 12/2010 Ye ..... D7/330
- D688,508 S \* 8/2013 Garman ..... D7/330
- D688,509 S \* 8/2013 Carlson ..... D7/330
- D701,720 S \* 4/2014 Palermo ..... D7/330
- D730,676 S \* 6/2015 Palmer ..... D7/330
- D746,093 S \* 12/2015 Bazzicalupo ..... D7/330
- D746,624 S \* 1/2016 Sun ..... D7/330
- D758,780 S \* 6/2016 Affatato ..... D7/330

(Continued)

(\*\*) Term: **15 Years**

(21) Appl. No.: **29/730,121**

(22) Filed: **Apr. 1, 2020**

(51) **LOC (13) Cl.** ..... **07-02**

(52) **U.S. Cl.**  
USPC ..... **D7/330**

(58) **Field of Classification Search**  
USPC ..... D7/328, 329, 330, 331, 339, 340, 341, D7/342, 343, 344, 345, 346, 347, 348, D7/349, 351, 352, 390, 402, 405, 406; D21/523, 524

CPC .... A47J 37/08; A47J 37/0807; A47J 37/0814; A47J 37/0821; A47J 37/0828; A47J 37/0835; A47J 37/0842; A47J 37/085; A47J 37/0857; A47J 37/0864; A47J 37/0871; A47J 37/0878; A47J 37/0885; A47J 37/0892; A47J 37/0611; A47J 37/0623; A47J 37/0629; A47J 37/00; A47J 37/04; A47J 37/06; A21B 1/00; A21B 1/52; A21B 5/00; F24C 15/02; F24C 15/04; F24C 15/10

See application file for complete search history.

(56) **References Cited**

**U.S. PATENT DOCUMENTS**

- 2,257,906 A \* 10/1941 Gough ..... A47J 37/0821 99/327
- D520,801 S \* 5/2006 Cuffaro ..... D7/330

**FOREIGN PATENT DOCUMENTS**

- CN 306346902 \* 2/2021
- CN 306593082 \* 6/2021

(Continued)

**OTHER PUBLICATIONS**

Hamilton Beach Keep Warm 2 Slice Toaster, announced 2020 [online], retrieved Aug. 10, 2021, retrieved from internet, <https://www.target.com/p/hamilton-beach-keep-warm-2-slice-toaster-silver-22811/-/A-14563458>.\*

(Continued)

*Primary Examiner* — Messina L Smith  
(74) *Attorney, Agent, or Firm* — Alexander D. Raring

(57) **CLAIM**

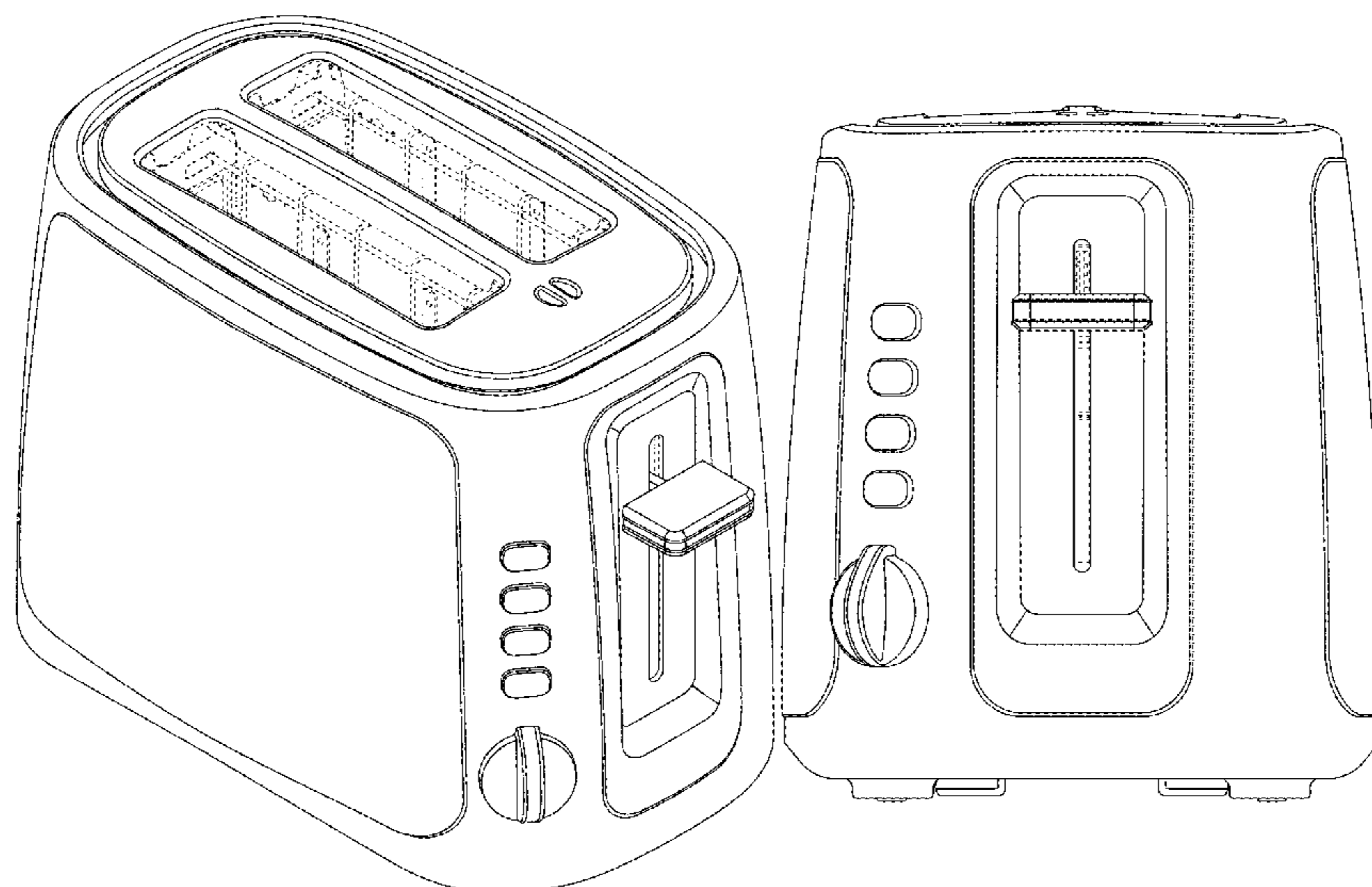
The ornamental design for a toaster, as shown and described.

**DESCRIPTION**

FIG. 1 is a perspective view as seen from the top, front and left side of a toaster showing the new design;  
FIG. 2 is a front view thereof;  
FIG. 3 is a rear view thereof;  
FIG. 4 is a left side view thereof;  
FIG. 5 is a right side view thereof;  
FIG. 6 is a top view thereof; and,  
FIG. 7 is a bottom view thereof.

The broken lines shown in the drawings depict portions of the toaster that form no part of the claimed design.

**1 Claim, 7 Drawing Sheets**



(56)

References Cited

U.S. PATENT DOCUMENTS

D759,418 S \* 6/2016 Affatato ..... D7/330  
 D761,610 S \* 7/2016 Carpenter ..... D7/330  
 D765,456 S \* 9/2016 Lee ..... D7/330  
 D791,526 S \* 7/2017 Rose ..... D7/330  
 D794,995 S \* 8/2017 Bond ..... D7/330  
 D796,890 S \* 9/2017 De' Longhi ..... D7/330  
 D809,327 S \* 2/2018 Chalk ..... D7/330  
 D812,408 S \* 3/2018 Li ..... D7/330  
 D814,223 S \* 4/2018 Barquin ..... D7/330  
 D823,631 S \* 7/2018 Gort-Barten ..... D7/330  
 D838,132 S \* 1/2019 Kowalewski ..... D7/330  
 D839,654 S \* 2/2019 Lin ..... D7/330  
 D843,768 S \* 3/2019 Miller ..... D7/330  
 D843,769 S \* 3/2019 Chen ..... D7/330  
 D862,149 S \* 10/2019 Gordon ..... D7/330  
 D879,537 S \* 3/2020 Powell ..... D7/330  
 D886,505 S \* 6/2020 Thun ..... D7/330  
 2014/0220210 A1 \* 8/2014 Turner ..... A47J 37/0814  
 426/496  
 2020/0329911 A1 \* 10/2020 Starr ..... A47J 37/0814

FOREIGN PATENT DOCUMENTS

EM 008040802-0001 \* 7/2020  
 EM 008204952-0001 \* 10/2020

OTHER PUBLICATIONS

Hamilton Beach® Professional Stainless Steel 2, announded 2020  
 [online], retrieved Aug. 10, 2021, retrieved from internet, <https://www.bedbathandbeyond.com/store/product/hamilton-beach-professional-stainless-steel-2-slice-toaster/5417086>.  
 Sure-Toast™ 2 Slice Toaster with Toast Boost, announded © 2021  
 [online], retrieved Aug. 10, 2021, retrieved from internet, <https://hamiltonbeach.com/sure-toast-2-slice-toaster-with-toast-boost-22820>.  
 Hamilton Beach 22820 Toaster with Bagel and Defrost Settings, announded 2020 [online], retrieved Aug. 10, 2021, retrieved from internet, [https://www.amazon.com/Hamilton-Beach-Extra-Wide-Sure-Toast-22820/dp/B089NL6JM6/ref=asc\\_df\\_B089NL6JM6/?tag=hyprod-20&linkCode=df0&hvadid=507730634543&hvpos=&hvnetw=g&hvrand=7670132936940876580&hvpone=&hvptwo=&hvqmt=&hvdev=c&hvdvcmdl=&hvlocint=&hvlocphy=9059726&hvtargid=pla-1299829052108&pssc=1](https://www.amazon.com/Hamilton-Beach-Extra-Wide-Sure-Toast-22820/dp/B089NL6JM6/ref=asc_df_B089NL6JM6/?tag=hyprod-20&linkCode=df0&hvadid=507730634543&hvpos=&hvnetw=g&hvrand=7670132936940876580&hvpone=&hvptwo=&hvqmt=&hvdev=c&hvdvcmdl=&hvlocint=&hvlocphy=9059726&hvtargid=pla-1299829052108&pssc=1).  
 \* cited by examiner

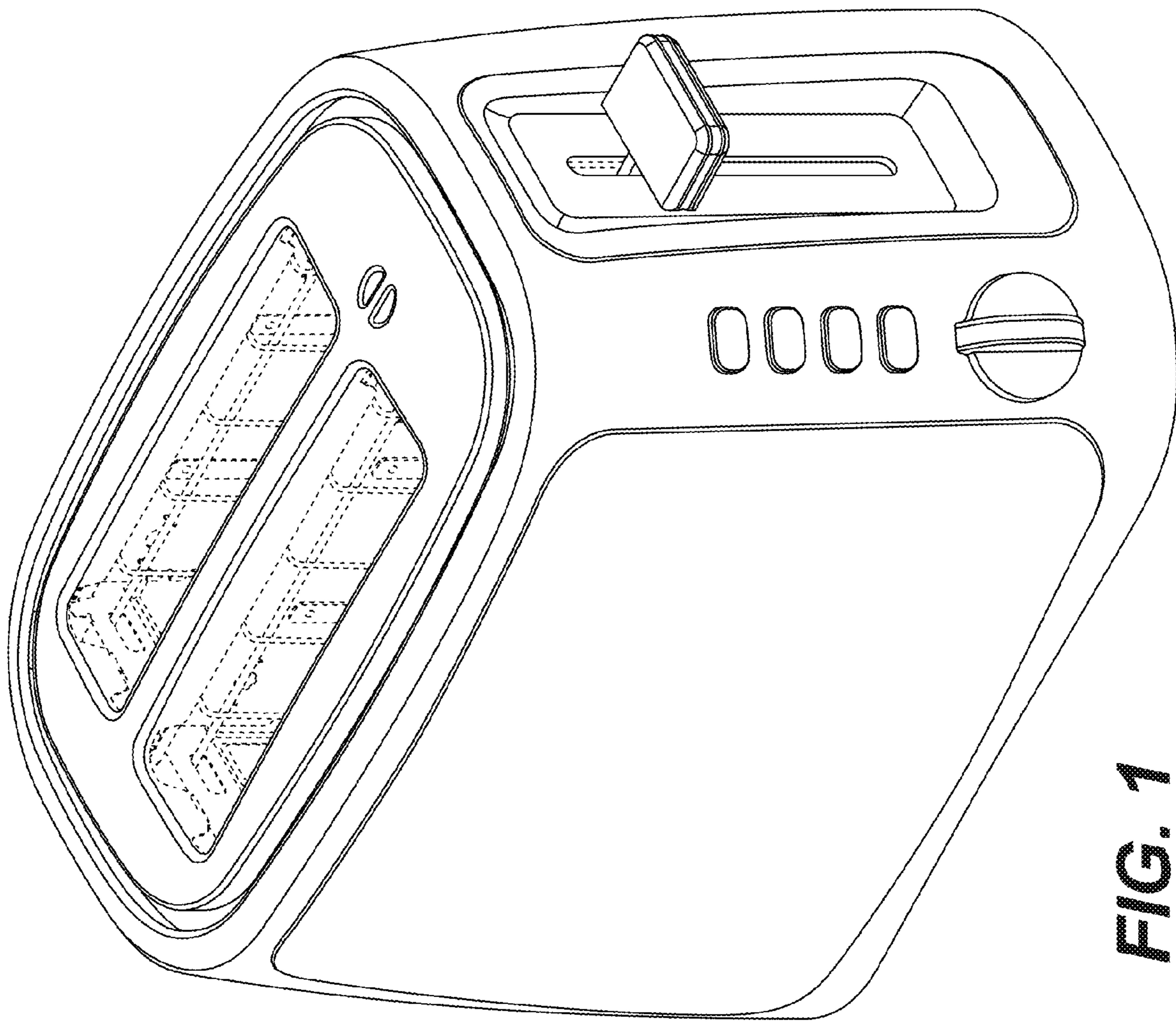
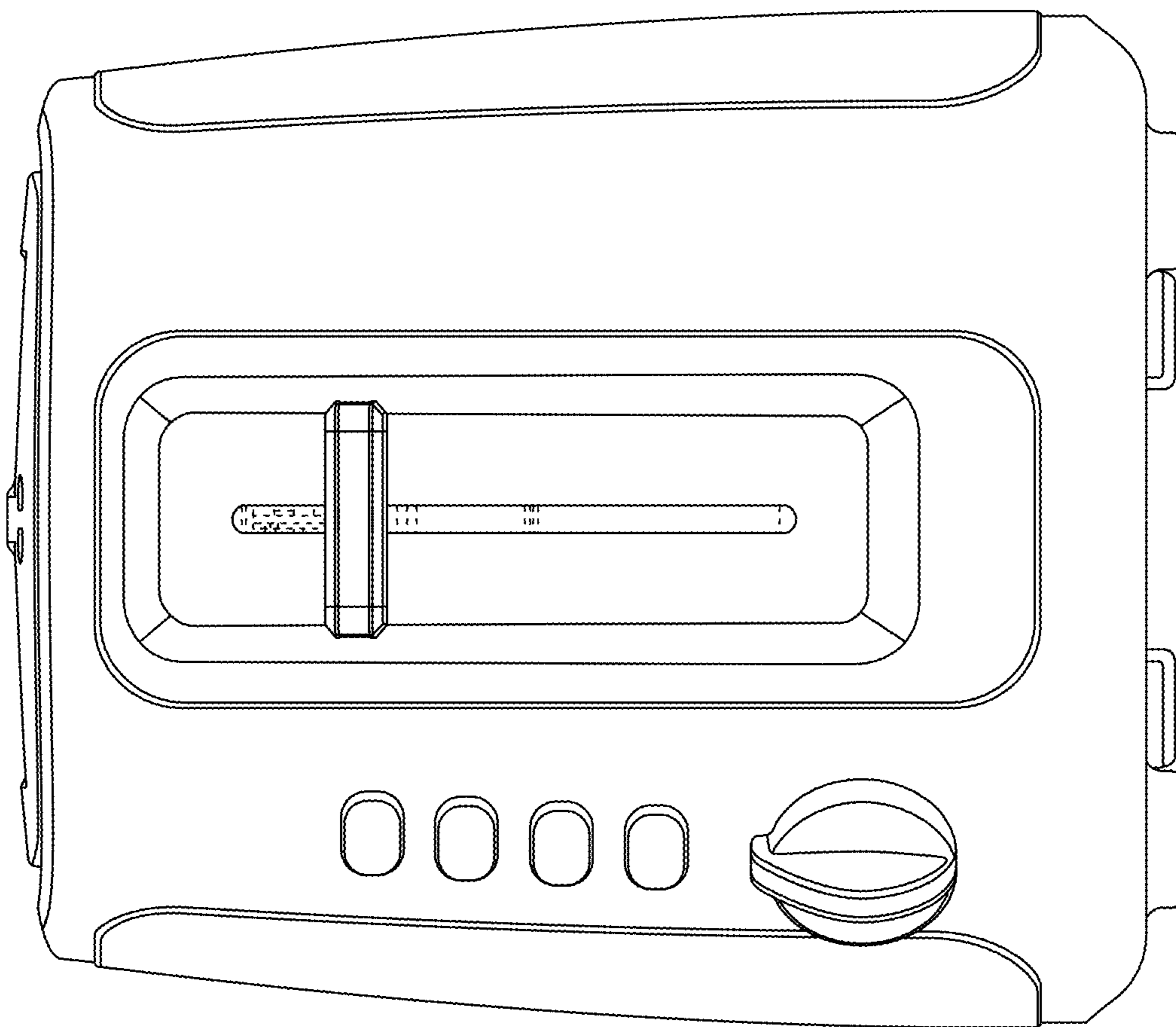
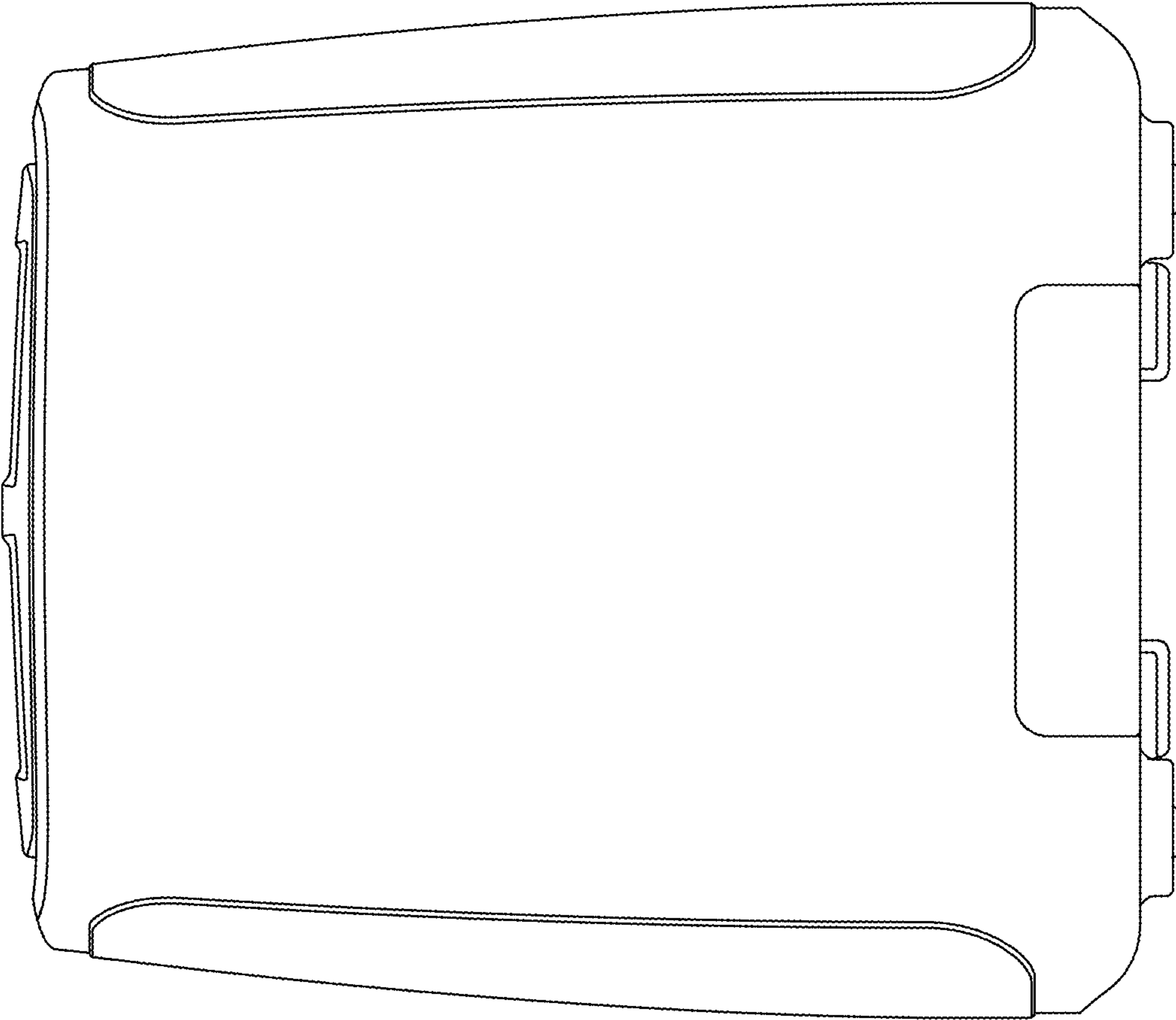


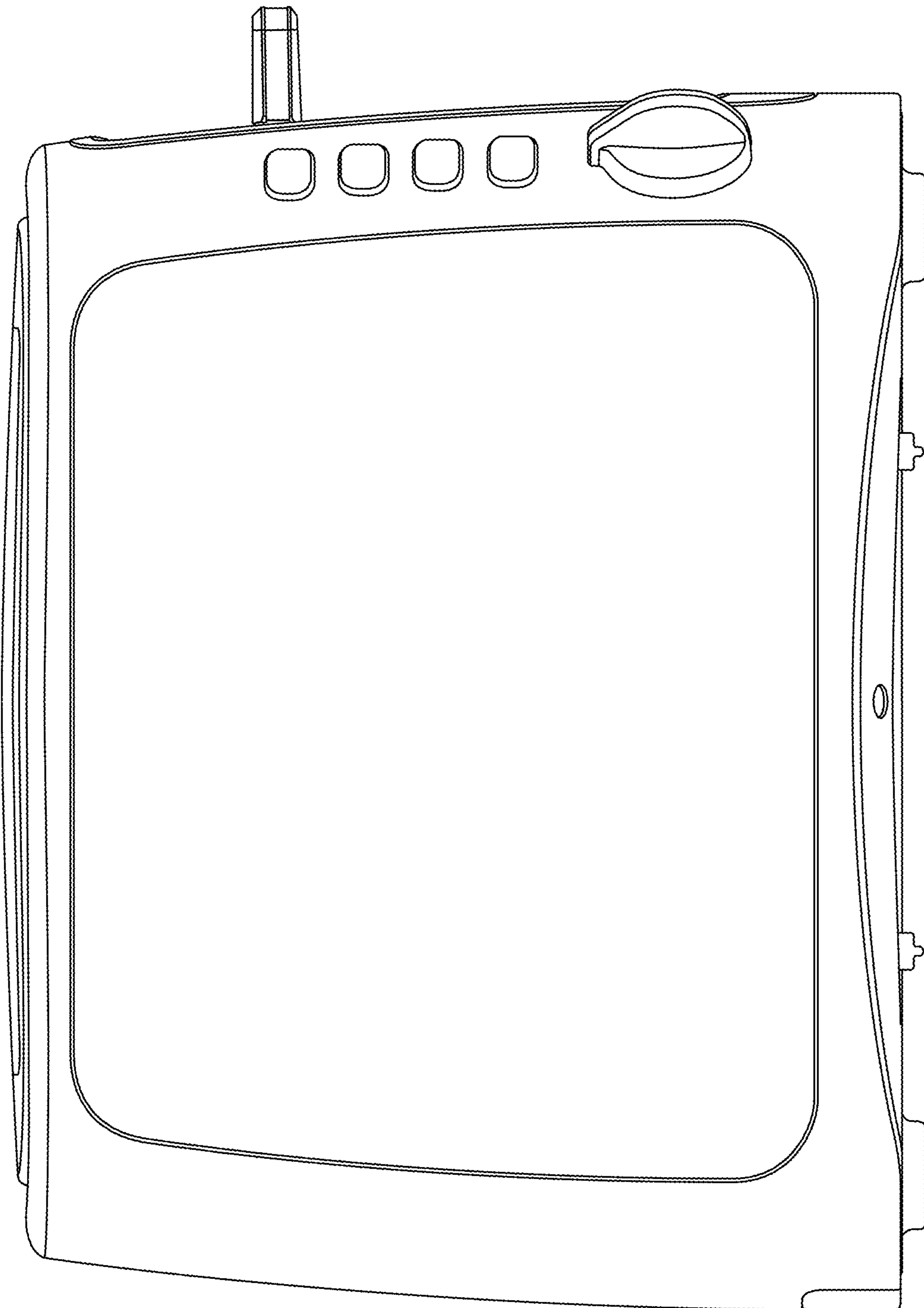
FIG. 1



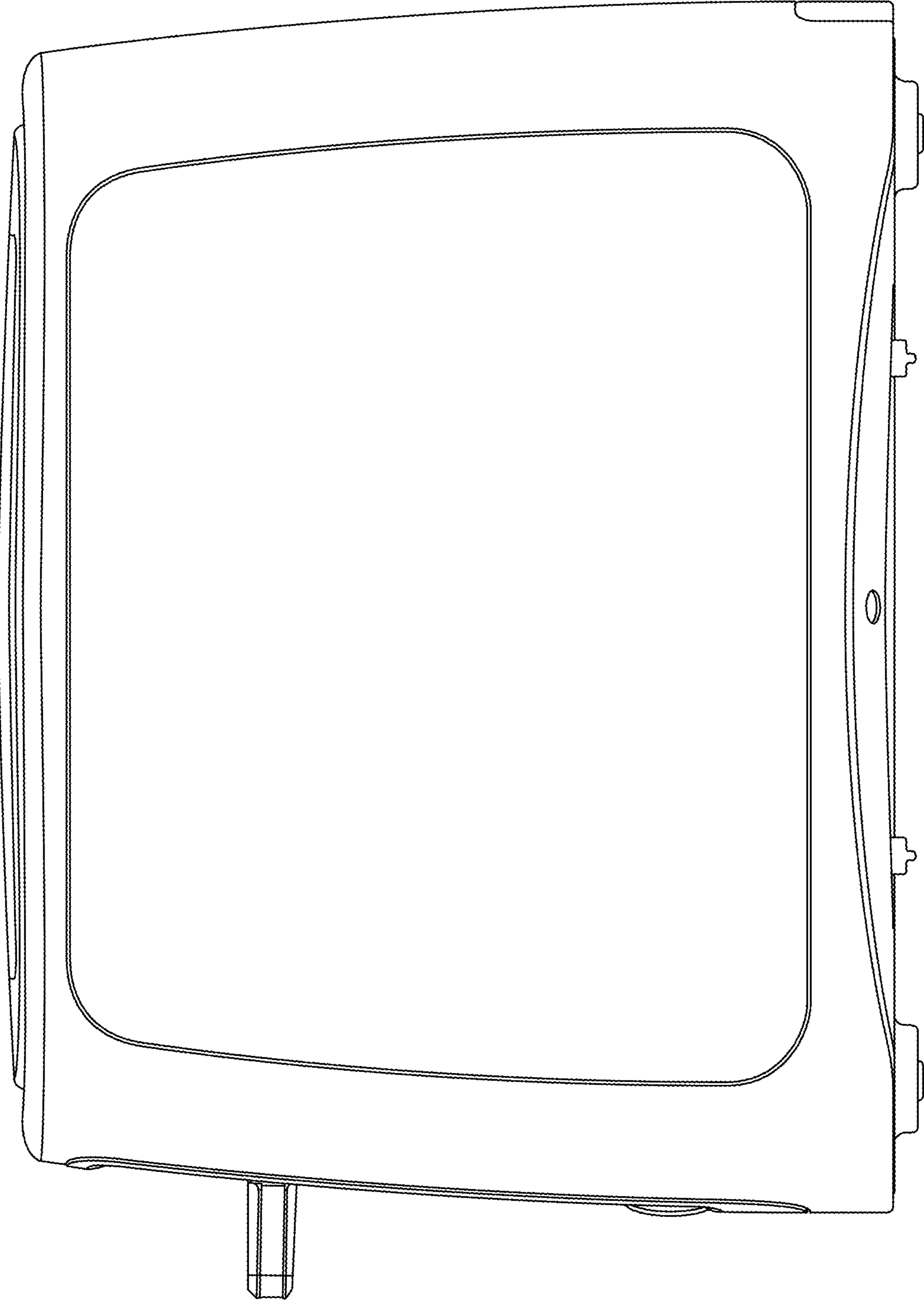
**FIG. 2**



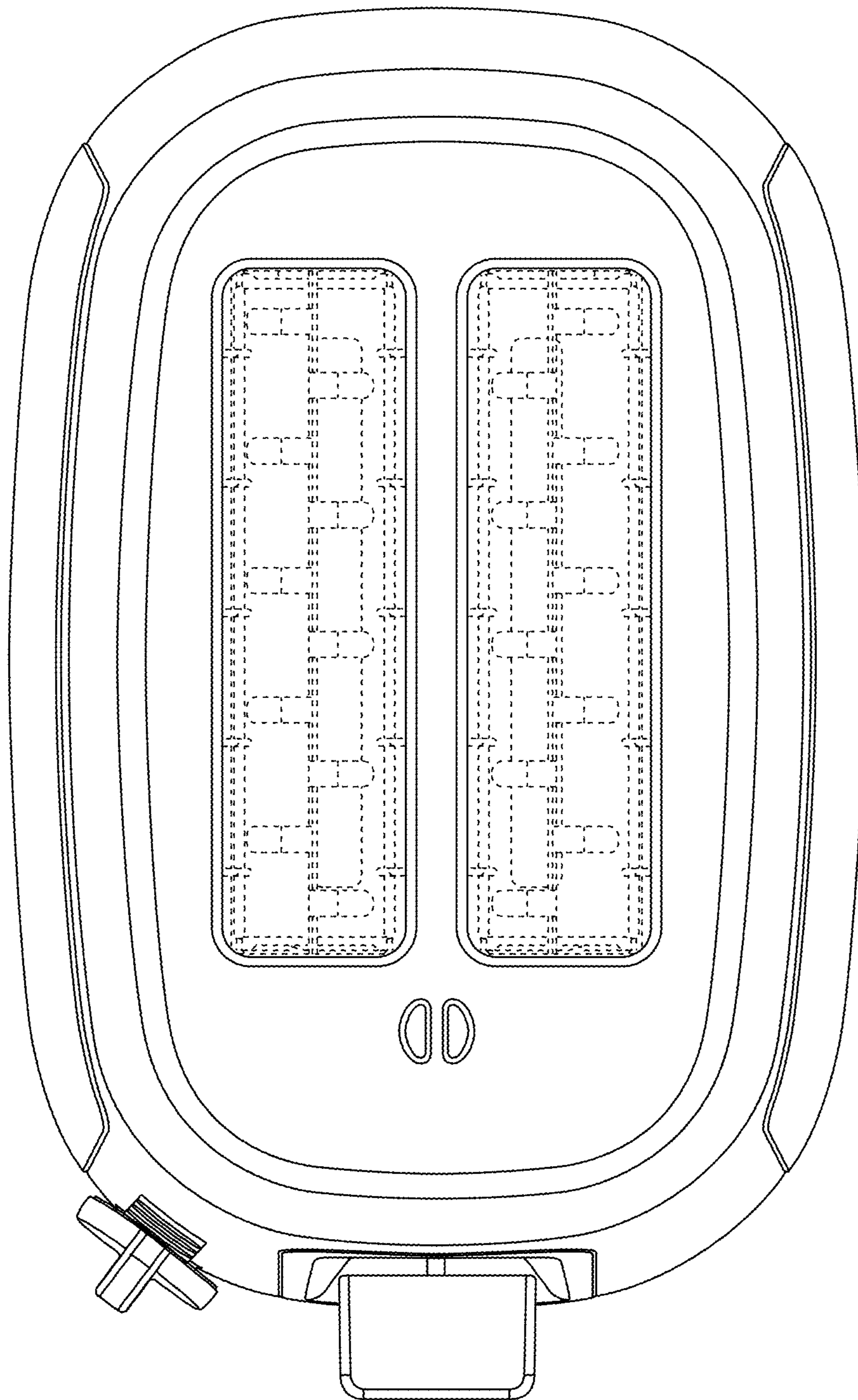
**FIG. 3**



**FIG. 4**

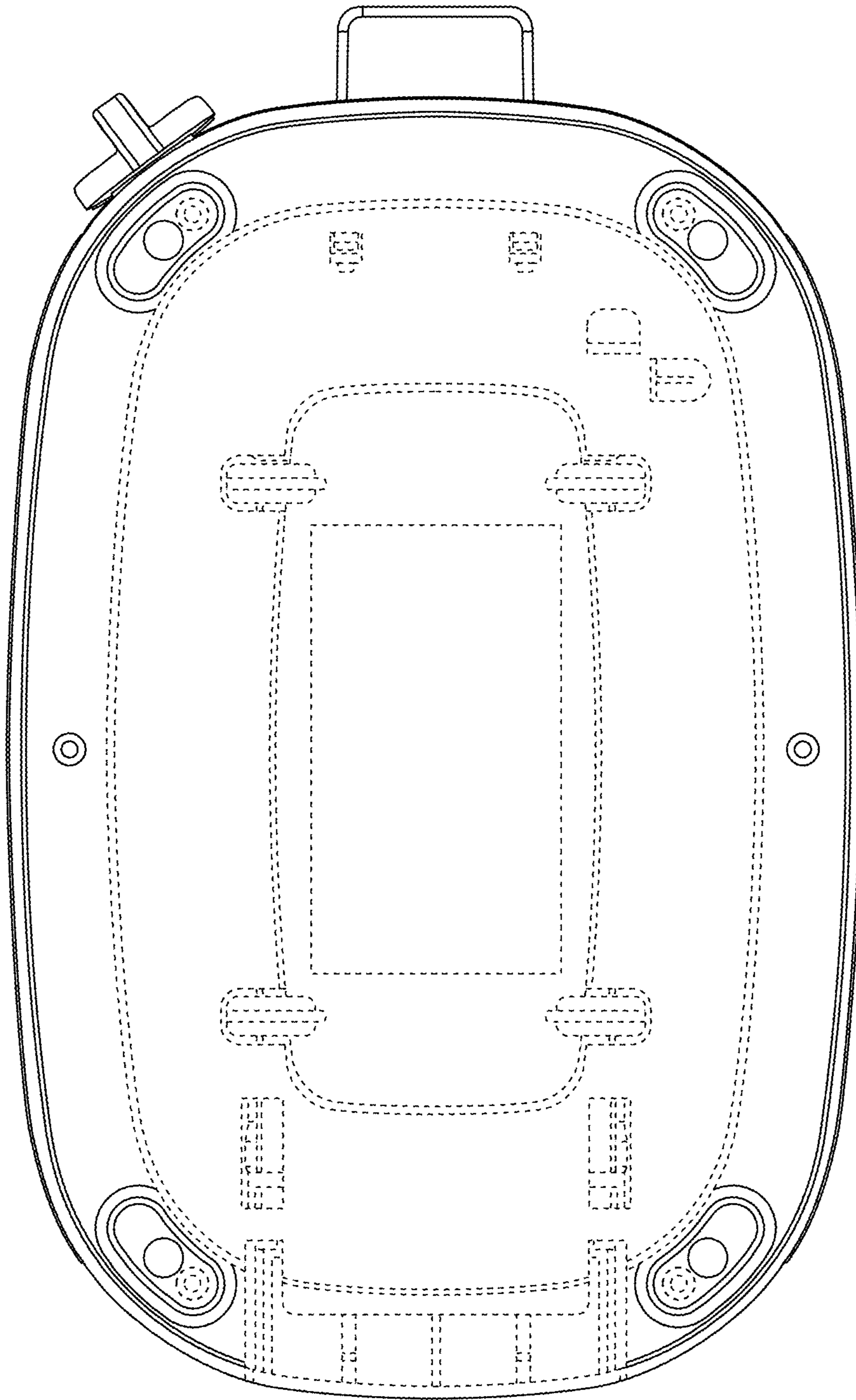


**FIG. 5**



**FIG. 6**





**FIG. 7**