

US00D966777S

(12) **United States Design Patent**
Brook et al.

(10) **Patent No.:** **US D966,777 S**
(45) **Date of Patent:** **** Oct. 18, 2022**

(54) **FOUR-SLICE TOASTER**

(71) Applicant: **Sunbeam Products, Inc.**, Boca Raton, FL (US)

(72) Inventors: **Nick Brook**, Sale (GB); **Noel Disbury**, Manchester (GB); **Stewart Gordon**, Cheadle (GB); **Mark Skinner**, Manchester (GB)

(73) Assignee: **Sunbeam Products, Inc.**, Boca Raton, FL (US)

(**) Term: **15 Years**

(21) Appl. No.: **29/726,923**

(22) Filed: **Mar. 6, 2020**

(51) **LOC (13) Cl.** **07-02**

(52) **U.S. Cl.**
USPC **D7/330**

(58) **Field of Classification Search**
USPC D7/328, 329, 330, 331, 339, 340, 341, D7/342, 343, 344, 345, 346, 347, 348, D7/349, 351, 352, 390, 402, 405, 406; D21/523, 524
CPC A47J 37/08; A47J 37/0807; A47J 37/0814; A47J 37/0821; A47J 37/0828; A47J 37/0835; A47J 37/0842; A47J 37/085; A47J 37/0857; A47J 37/0864; A47J 37/0871; A47J 37/0878; A47J 37/0885; A47J 37/0892; A47J 37/0611; A47J 37/0623; A47J 37/0629; A47J 37/00; A47J 37/04; A47J 37/06; A21B 1/00; A21B 1/52; A21B 5/00; F24C 15/02; F24C 15/04; F24C 15/10
See application file for complete search history.

(56) **References Cited**

U.S. PATENT DOCUMENTS

D345,074 S * 3/1994 Myers D7/328
D388,276 S * 12/1997 Cruz D7/330

(Continued)

FOREIGN PATENT DOCUMENTS

CN 305994303 * 8/2020
CN 306346901 * 2/2021

(Continued)

OTHER PUBLICATIONS

Breville VTT748 Impressions 2-Slice Toaster, announced Aug. 15, 2019 [online], retrieved Sep. 13, 2021, retrieved from internet, https://www.amazon.co.uk/dp/B07VSS89VD/ref=twister_B07Z9QTBGX?_encoding=UTF8&psc=1.*

(Continued)

Primary Examiner — Messina L Smith

(74) *Attorney, Agent, or Firm* — Husch Blackwell LLP

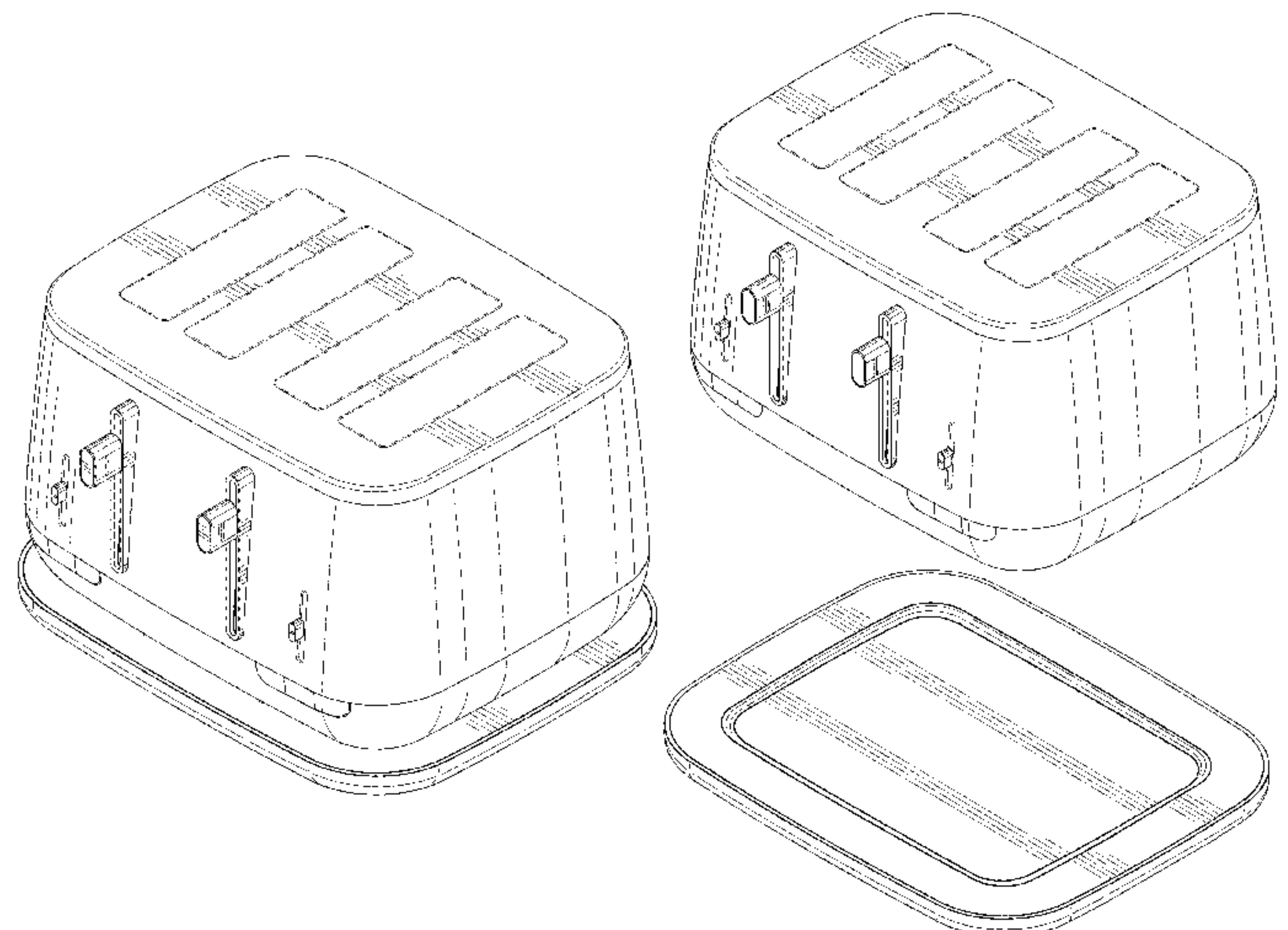
(57) **CLAIM**

The ornamental design for a four-slice toaster, as shown and described.

DESCRIPTION

FIG. 1 is a perspective view of a four-slice toaster showing the new design;
FIG. 2 is a front elevation view of the four-slice toaster of FIG. 1;
FIG. 3 is a right side elevation view of the four-slice toaster shown in FIG. 1, the left side view being a mirror image thereof;
FIG. 4 is a rear elevation view of the four-slice toaster shown in FIG. 1;
FIG. 5 is a top plan view of the four-slice toaster shown in FIG. 1;
FIG. 6 is a bottom plan view of the four-slice toaster shown in FIG. 1; and,
FIG. 7 is an exploded perspective view of the four-slice toaster of FIG. 1.
The broken lines in the figures illustrate portions of the four-slice toaster that form no part of the claimed design.

1 Claim, 7 Drawing Sheets



(56)

References Cited

U.S. PATENT DOCUMENTS

D394,983 S * 6/1998 Garrett D7/330
 D422,832 S * 4/2000 Gaynor D7/330
 D445,629 S * 7/2001 Davis D7/330
 D475,884 S * 6/2003 Holderfield D7/330
 D488,341 S * 4/2004 Enriquez D7/330
 D503,581 S * 4/2005 Wong D7/330
 D510,676 S * 10/2005 Picozza D7/330
 D525,474 S * 7/2006 Huang D7/330
 D554,931 S * 11/2007 Genslak D7/330
 D554,932 S * 11/2007 Kim D7/330
 D554,933 S * 11/2007 Kim D7/330
 D567,010 S * 4/2008 Pennington D7/330
 D569,167 S * 5/2008 Borin D7/330
 D582,196 S * 12/2008 Jerstroem D7/330
 D598,697 S * 8/2009 De Pra' D7/330
 D628,429 S * 12/2010 Ye D7/330
 D640,894 S * 7/2011 Duncan D7/330
 D655,126 S * 3/2012 Gregory D7/330
 D661,941 S * 6/2012 Averty D7/330
 D663,993 S * 7/2012 Prevete D7/330
 D667,677 S * 9/2012 Choi D7/330
 D686,866 S * 7/2013 De'Longhi D7/330
 D702,074 S * 4/2014 De'Longhi D7/330
 D722,808 S * 2/2015 Zimmermann D7/330
 D749,348 S * 2/2016 Carlson D7/330
 D777,501 S * 1/2017 Lee D7/330
 D792,147 S * 7/2017 Averty D7/330
 D796,248 S * 9/2017 De' Longhi D7/330
 D798,098 S * 9/2017 Bournay, Jr. D7/330
 D799,884 S * 10/2017 Rose D7/330
 D838,534 S * 1/2019 Bodum D7/330
 D859,856 S * 9/2019 Josancy D6/330
 D876,872 S * 3/2020 Bazzicalupo D7/330
 D886,506 S * 6/2020 Thun D7/330
 D906,034 S * 12/2020 Gort-Barten D7/330
 D921,412 S * 6/2021 Steiner D7/330
 2016/0166110 A1 * 6/2016 Barnes A23L 5/15
 426/466

FOREIGN PATENT DOCUMENTS

CN 306467209 * 4/2021
 CN 306653118 * 7/2021
 RU 00122758 * 11/2020

OTHER PUBLICATIONS

Sunbeam Tribeca 2 Slice Toaster, announced © 2021 [online],
 retrieved Sep. 13, 2021, retrieved from internet, <https://www.harveynorman.com.au/sunbeam-tribeca-2-slice-toaster.html>.
 Sunbeam Quantum® Plus Toaster 2 Slice, announced © 2021
 [online], retrieved Sep. 13, 2021, retrieved from internet, <https://www.retravision.com.au/sunbeam-quantumreg-plus-toaster-2-slice-ta2320>.
 Sunbeam Diamond Collection 2 Slice Toaster announced 2018 [online],
 retrieved Sep. 13, 2021, retrieved from internet, <https://store.qantas.com/au/p/diamond-collection-2-slice-toaster/136356P>.
 Kichele Toaster 2 Slice Toasters, announced Jul. 24, 2020 [online],
 retrieved Sep. 13, 2021, retrieved from internet, https://www.amazon.com/Kichele-Toasters-Stainless-Removable-Function/dp/B08DKP7G6J/ref=asc_df_B08DKP7G6J/?tag=hyprod-20&linkCode=df0&hvadid=475811797624&hvpos=&hvnetw=g&hvrnd=130391138904295076&hvpone=&hvptwo=&hvqmt=&hvdev=c&hvdvcmdl=&hvlocint=&hvlocphy=1027027&hvtargid=pla-1027261222771&psc=1.
 Sunbeam Products® 4-slice Toaster With Textured Design With
 Chrome Accents, announced © 2020 [online], retrieved Sep. 13,
 2021, retrieved from internet, <https://www.accuweather.com/shop/oster/sunbeam-products-4-slice-toaster-with-textured-design-with-chrome-accents-12-x-13-x-8-teal-52c9648a181bb799d28f7bOe702f6d11-p.html>.
 Cheap Sunbeam New York 4 Slice Toaster, announced Sep. 11, 2021
 [online], retrieved Sep. 13, 2021, retrieved from internet, <https://enstock1c.top/ProductDetail.aspx?iid=344178971&pr=62.99>.

* cited by examiner

FIG. 1

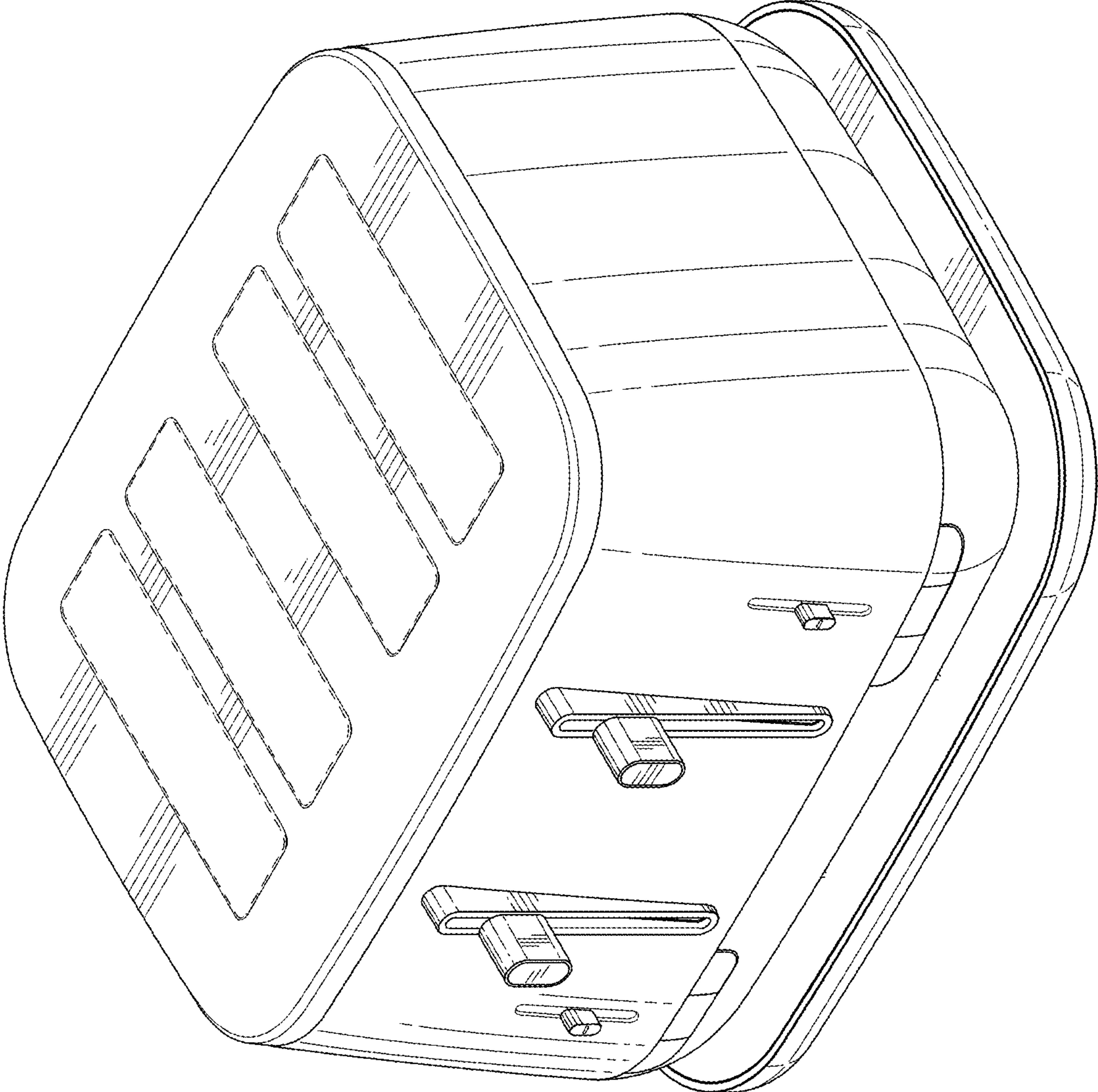


FIG. 2

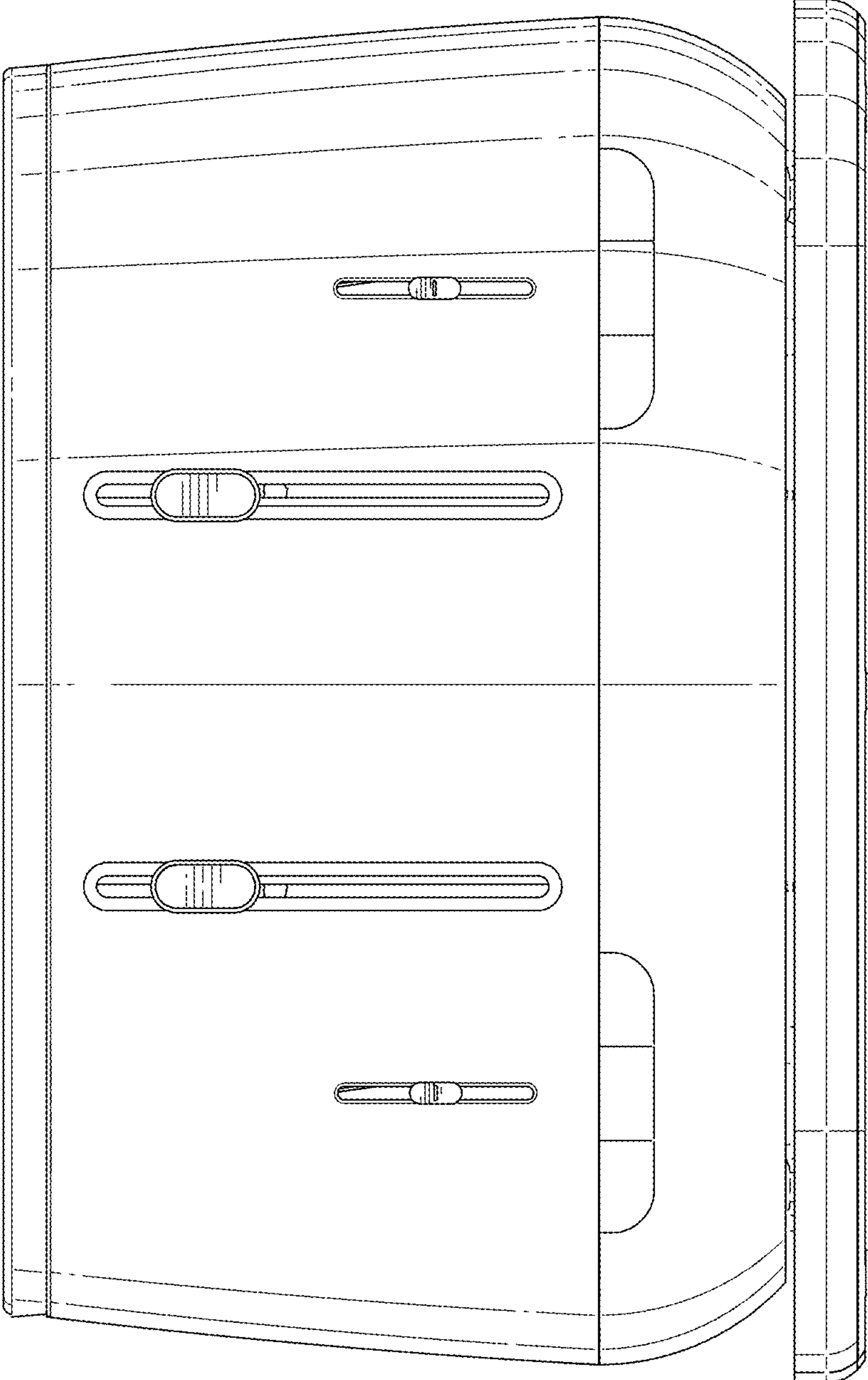


FIG. 3

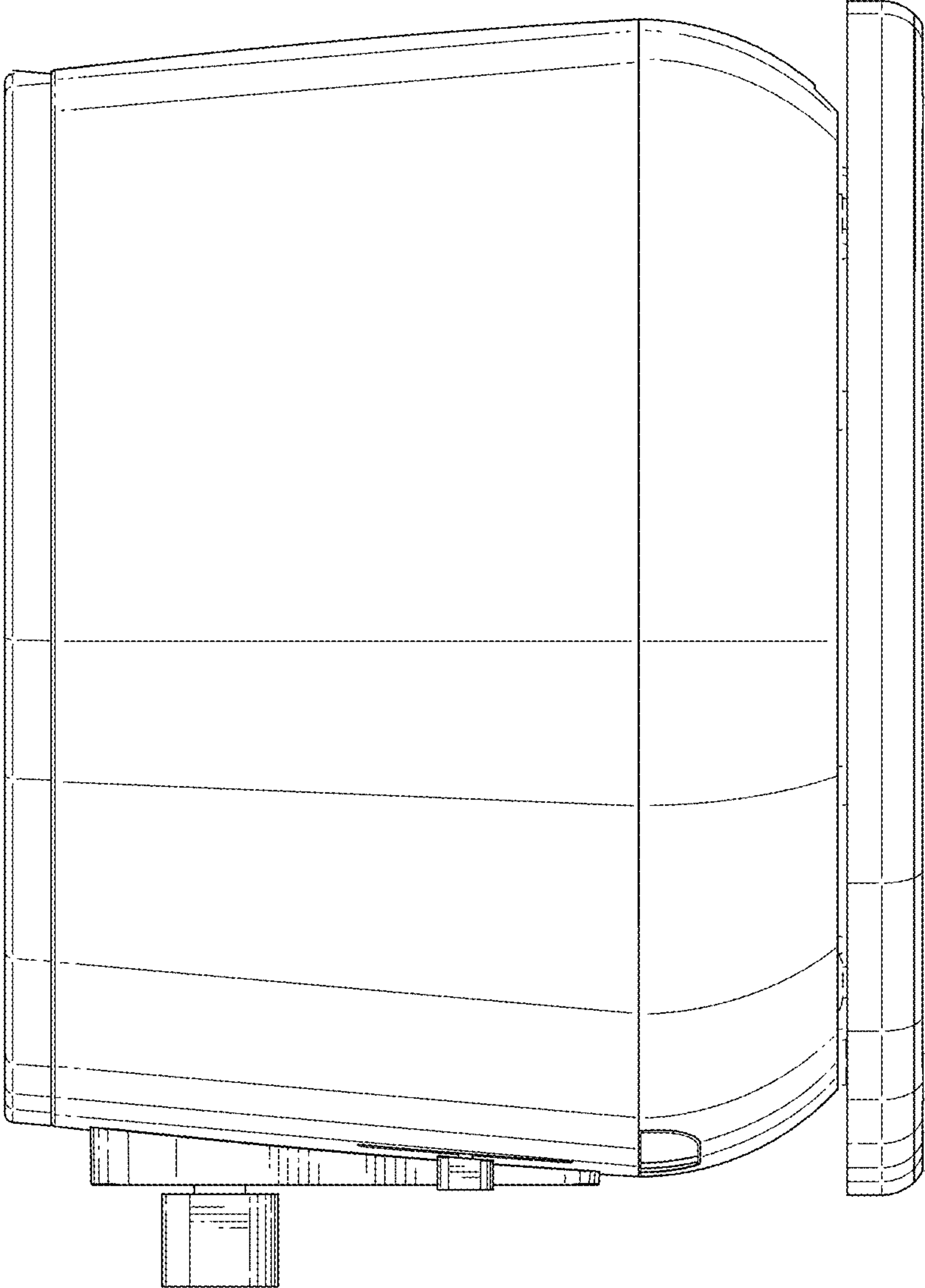


FIG. 4

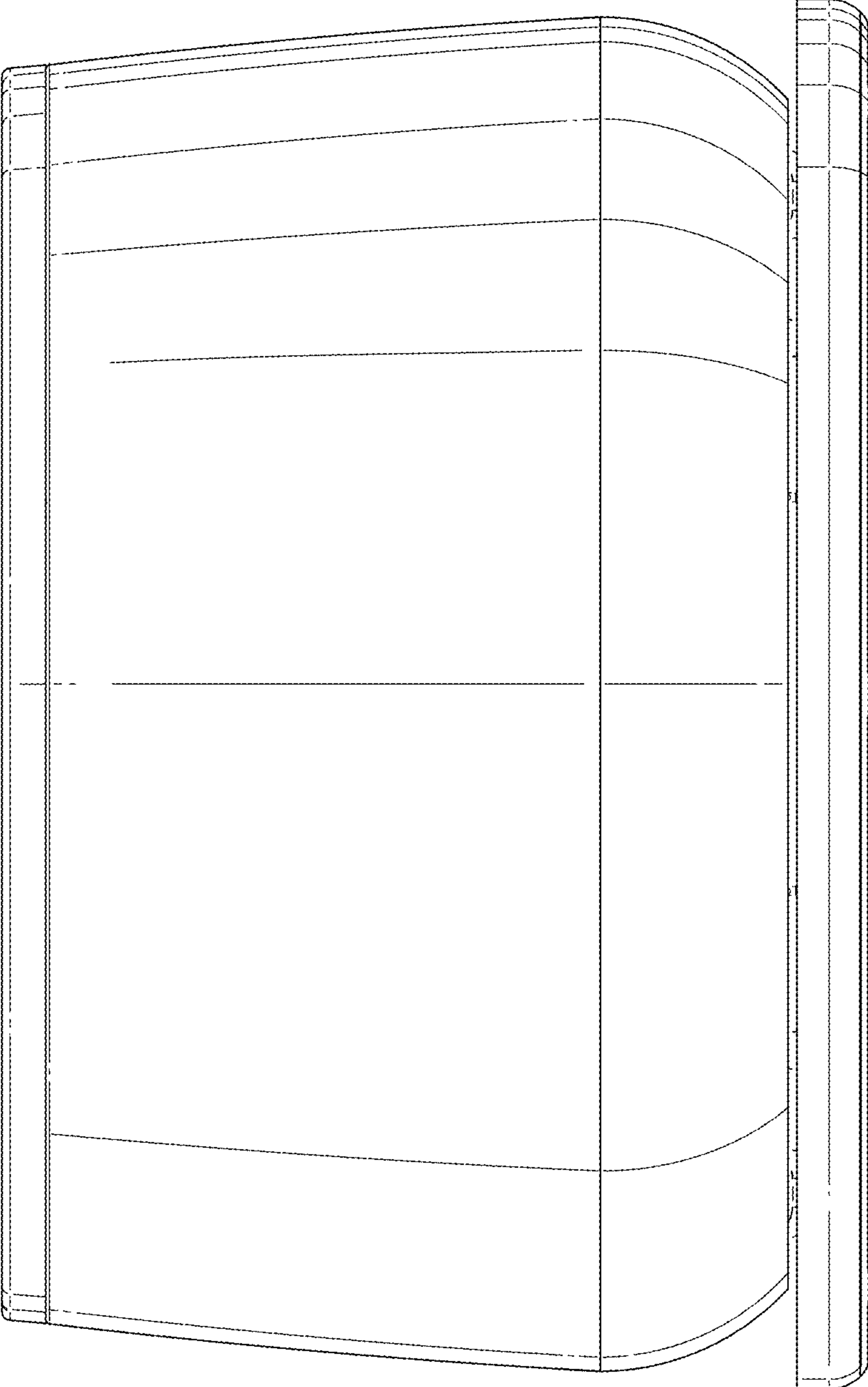


FIG. 5

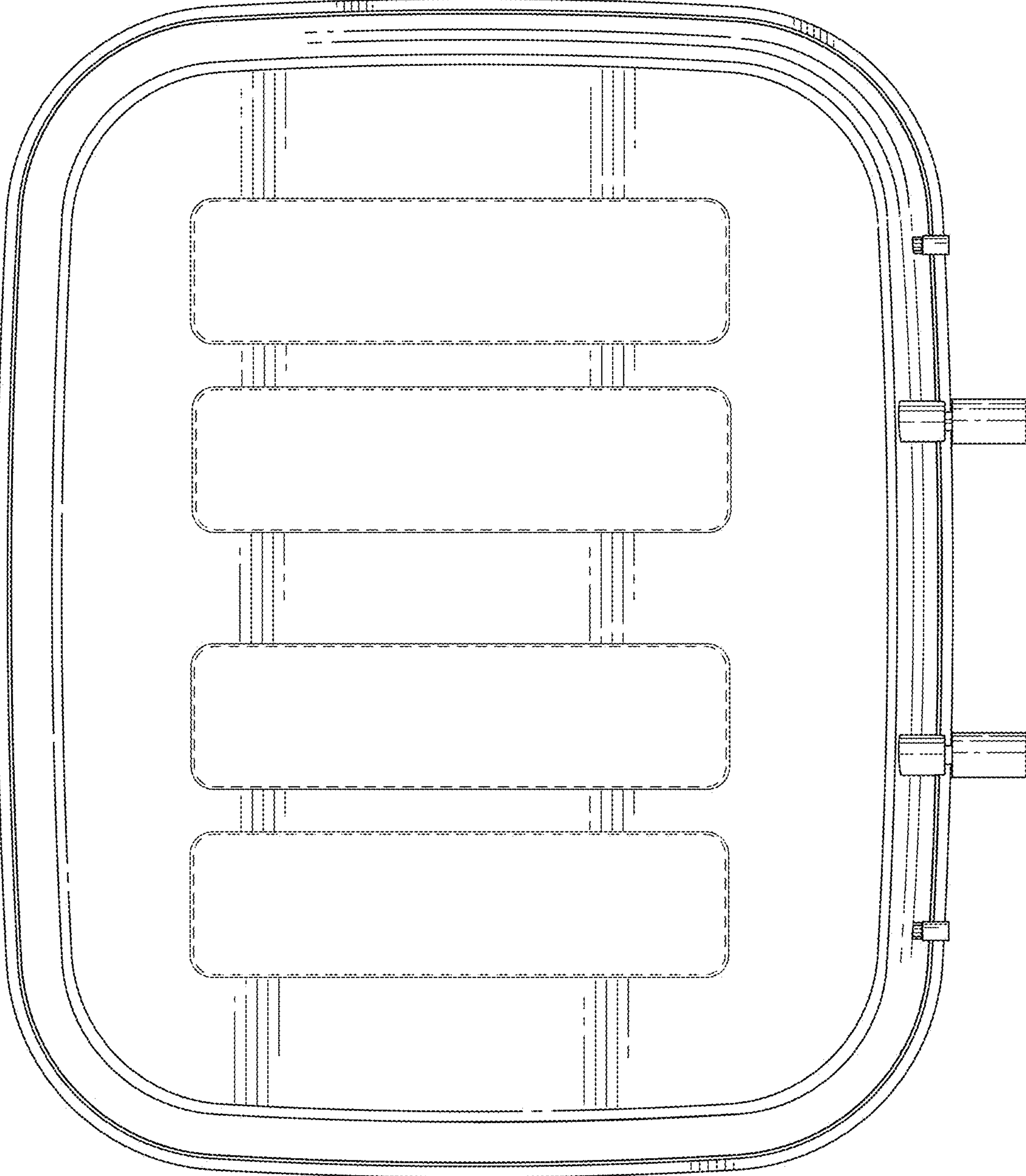


FIG. 6

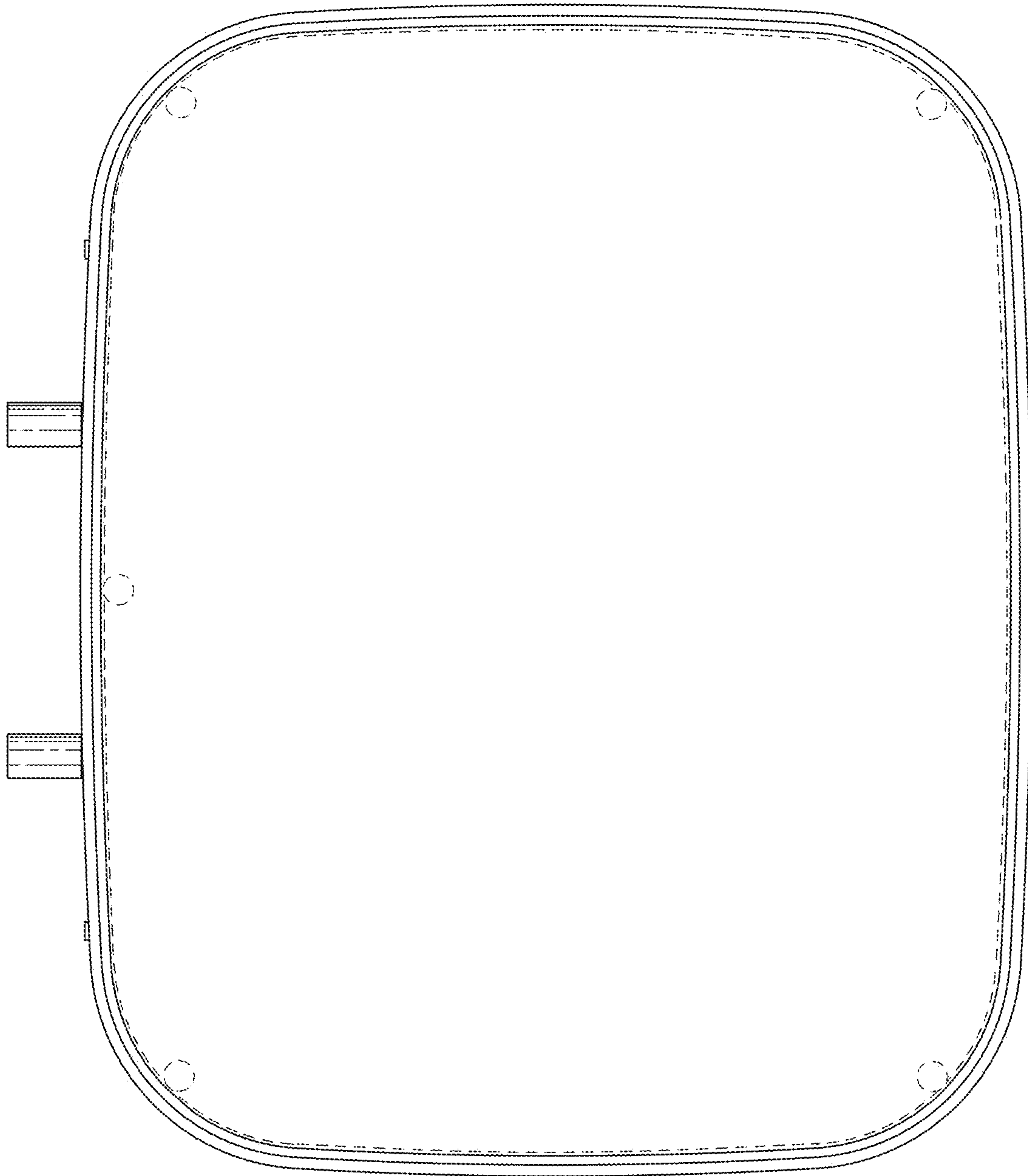


FIG. 7

