



US00D966775S

(12) **United States Design Patent**  
**Steiner**

(10) **Patent No.:** **US D966,775 S**

(45) **Date of Patent:** **\*\* Oct. 18, 2022**

- (54) **TOASTER**
- (71) Applicant: **Hamilton Beach Brands, Inc.**, Glen Allen, VA (US)
- (72) Inventor: **Mark C Steiner**, Midlothian, VA (US)
- (73) Assignee: **Hamilton Beach Brands, Inc.**, Glen Allen, VA (US)
- (\*\*) Term: **15 Years**
- (21) Appl. No.: **29/725,846**
- (22) Filed: **Feb. 27, 2020**
- (51) **LOC (13) Cl.** ..... **07-02**
- (52) **U.S. Cl.**  
USPC ..... **D7/330**
- (58) **Field of Classification Search**  
USPC ..... D7/328, 329, 330, 331, 339, 340, 341, D7/342, 343, 344, 345, 346, 347, 348, D7/349, 351, 352, 390, 402, 405, 406; D21/523, 524  
CPC .... A47J 37/08; A47J 37/0807; A47J 37/0814; A47J 37/0821; A47J 37/0828; A47J 37/0835; A47J 37/0842; A47J 37/085; A47J 37/0857; A47J 37/0864; A47J 37/0871; A47J 37/0878; A47J 37/0885; A47J 37/0892; A47J 37/0611; A47J 37/0623; A47J 37/0629; A47J 37/00; A47J 37/04; A47J 37/06; A21B 1/00; A21B 1/52; A21B 5/00; F24C 15/02; F24C 15/04; F24C 15/10  
See application file for complete search history.

2,611,849 A \* 9/1952 Gough ..... A47J 37/0821  
219/489  
D440,460 S 4/2001 Davis et al.  
D445,629 S 7/2001 Davis et al.  
D470,355 S 2/2003 Xie et al.  
D470,709 S 2/2003 Starr et al.  
(Continued)

**FOREIGN PATENT DOCUMENTS**

CN 305020757 \* 2/2019  
CN 305416493 \* 11/2019  
(Continued)

**OTHER PUBLICATIONS**

Classic 2 Slice Toaster, announced © 2021 [online], retrieved Jul. 13, 2021, retrieved from internet, <https://hamiltonbeach.com/classic-2-slice-toaster-stainless-steel-22782>.  
(Continued)

*Primary Examiner* — Messina L Smith  
(74) *Attorney, Agent, or Firm* — Alexander D. Raring

(57) **CLAIM**

The ornamental design for a toaster, as shown and described.

**DESCRIPTION**

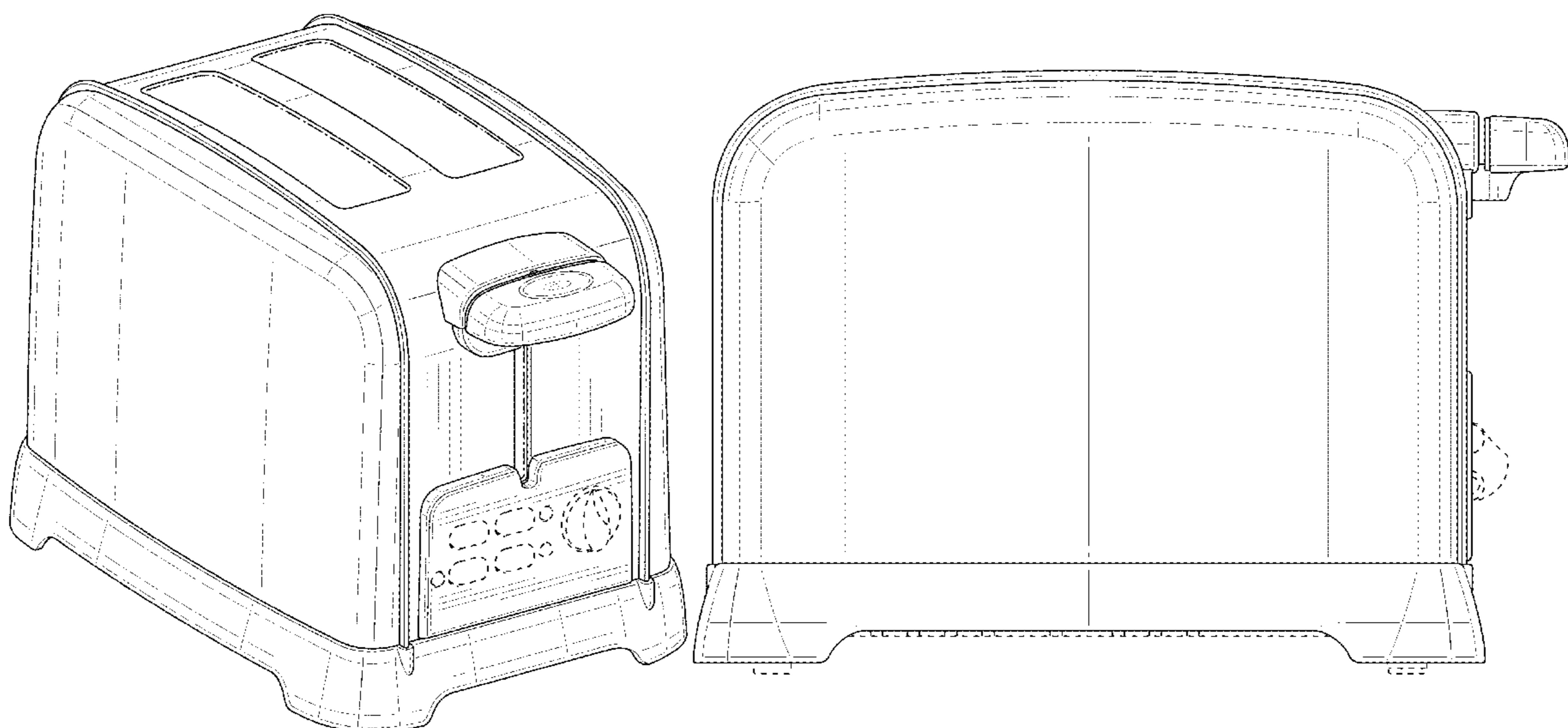
FIG. 1 is a perspective view as seen from the top, front and left side of a toaster showing the new design;  
FIG. 2 is a front view thereof;  
FIG. 3 is a rear view thereof;  
FIG. 4 is a left side view thereof;  
FIG. 5 is a right side view thereof;  
FIG. 6 is a top view thereof; and,  
FIG. 7 is a bottom view thereof.  
The dash-dot broken lines shown in FIGS. 1, 2, and 6 depict the boundary of the claim and forms no part of the claimed design. All other broken lines depict portions of the toaster that form no part of the claimed design.

**1 Claim, 7 Drawing Sheets**

(56) **References Cited**

**U.S. PATENT DOCUMENTS**

2,257,906 A \* 10/1941 Gough ..... A47J 37/0821  
99/327  
2,339,183 A \* 1/1944 Joseph ..... A47J 37/0821  
99/327



(56)

References Cited

U.S. PATENT DOCUMENTS

D488,664 S \* 4/2004 Seum ..... D7/330  
 D523,683 S \* 6/2006 Guyett et al.  
 D547,591 S \* 7/2007 DeLonghi  
 D557,061 S \* 12/2007 Genslak et al.  
 D582,195 S \* 12/2008 Jerstroem et al.  
 D582,196 S \* 12/2008 Jerstroem et al.  
 D590,653 S \* 4/2009 Lavy  
 D615,343 S \* 5/2010 Bock ..... D7/330  
 D635,390 S \* 4/2011 Duncan ..... D7/330  
 D661,942 S \* 6/2012 Palermo ..... D7/330  
 D688,508 S \* 8/2013 Garman ..... D7/330  
 D701,720 S \* 4/2014 Palermo ..... D7/330  
 D749,349 S \* 2/2016 Carlson ..... D7/330  
 D758,780 S \* 6/2016 Affatato ..... D7/330  
 D759,418 S \* 6/2016 Affatato ..... D7/330  
 D765,456 S \* 9/2016 Lee ..... D7/330  
 D796,890 S \* 9/2017 De' Longhi ..... D7/330  
 D809,327 S \* 2/2018 Chalk ..... D7/330  
 D823,631 S \* 7/2018 Gort-Barten ..... D7/330  
 D838,132 S \* 1/2019 Kowalewski ..... D7/330  
 D839,654 S \* 2/2019 Lin ..... D7/330  
 D843,768 S \* 3/2019 Miller ..... D7/330  
 D862,149 S \* 10/2019 Gordon ..... D7/330  
 D879,537 S \* 3/2020 Powell ..... D7/330  
 D886,505 S \* 6/2020 Thun ..... D7/330

FOREIGN PATENT DOCUMENTS

CN 305528541 \* 1/2020  
 CN 306518770 \* 5/2021

OTHER PUBLICATIONS

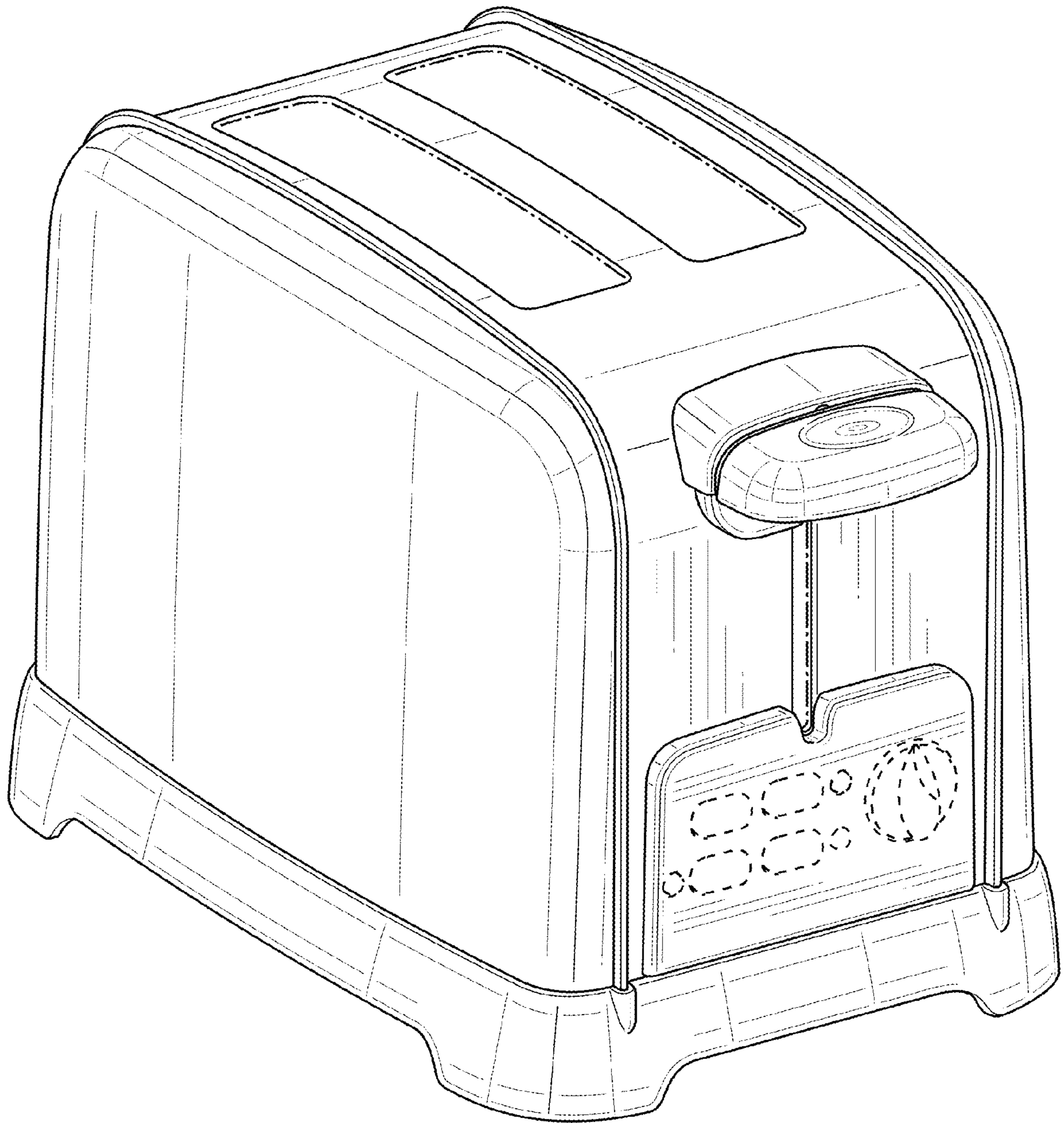
2-Slice Stainless Steel Toaster, announced Apr. 21, 2021 [online],  
 retrieved Jul. 13, 2021, retrieved from internet, <https://www.homedepot.com/p/Hamilton-Beach-850-Watt-2-Slice-Stainless-Steel-Toaster-22782/315632027>.\*

Hamilton Beach 2 Slice Toaster, announced May 27, 2014 [online],  
 retrieved Jul. 13, 2021, retrieved from internet, <https://www.walmart.com/ip/Hamilton-Beach-2-Slice-Toaster-Model-22614Z/35241853>.\*

Hamilton Beach 2 Slice Toaster, announced Sep. 2, 2016 [online],  
 retrieved Jul. 13, 2021, retrieved from internet, <https://www.walmart.com/ip/Hamilton-Beach-2-Slice-Toaster-Model-22623/50259035>.\*

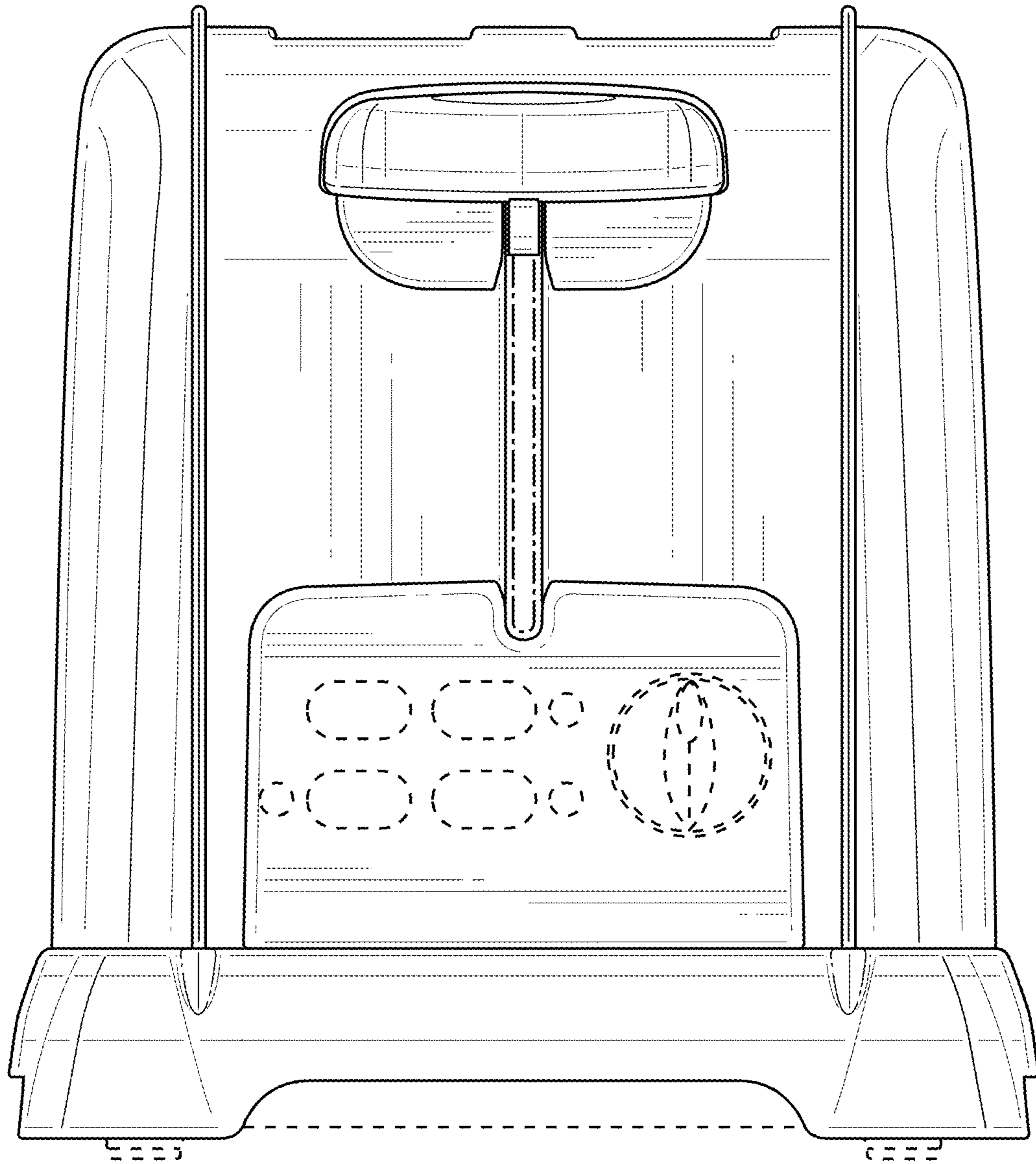
Oster 2 Slice Toaster, announced Aug. 11, 2020 [online], retrieved  
 Jul. 13, 2021, retrieved from internet, <https://www.wayfair.com/kitchen-tabletop/pdp/oster-2-slice-toaster-pbwv1073.html>.\*

\* cited by examiner

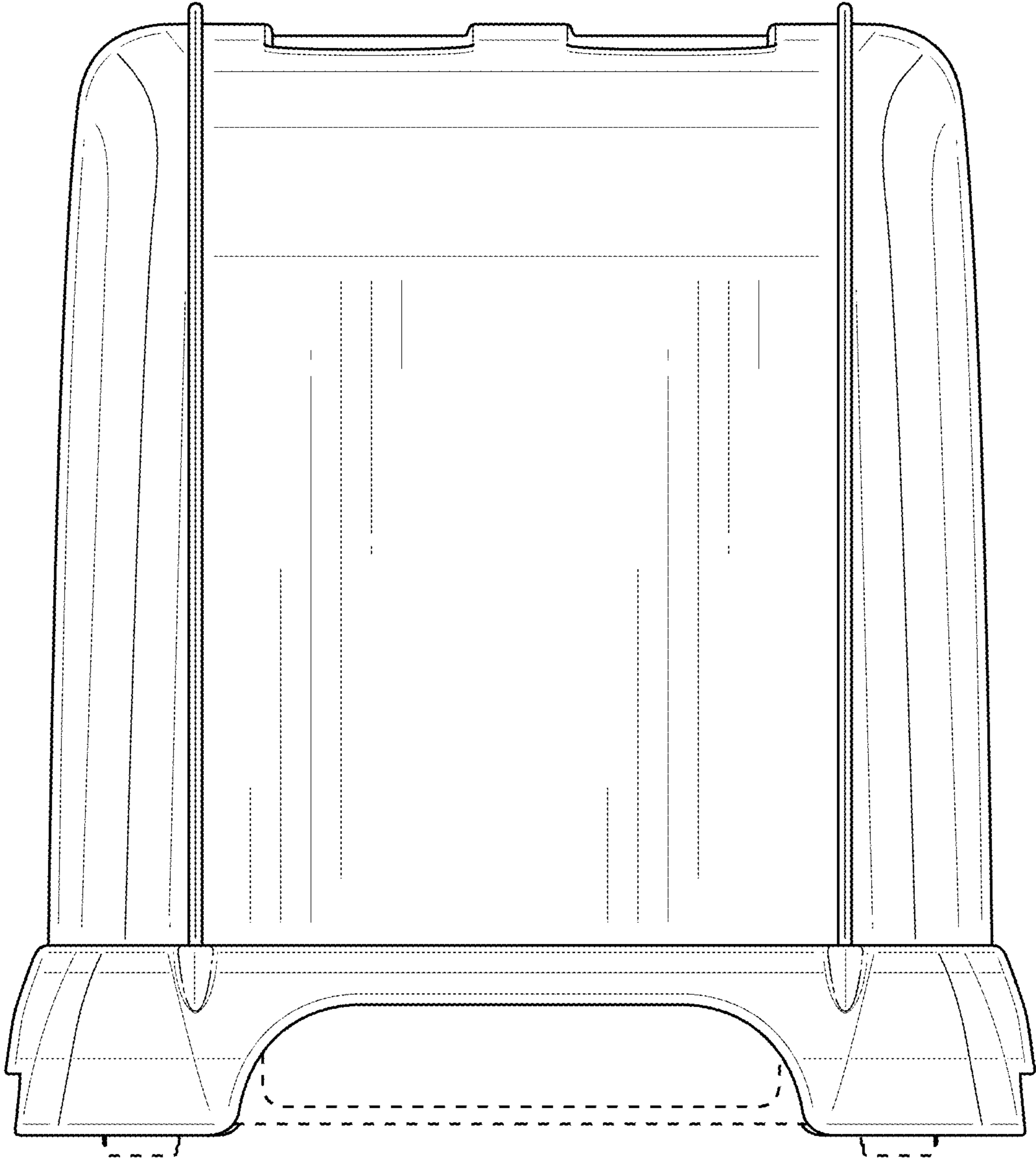


**FIG. 1**

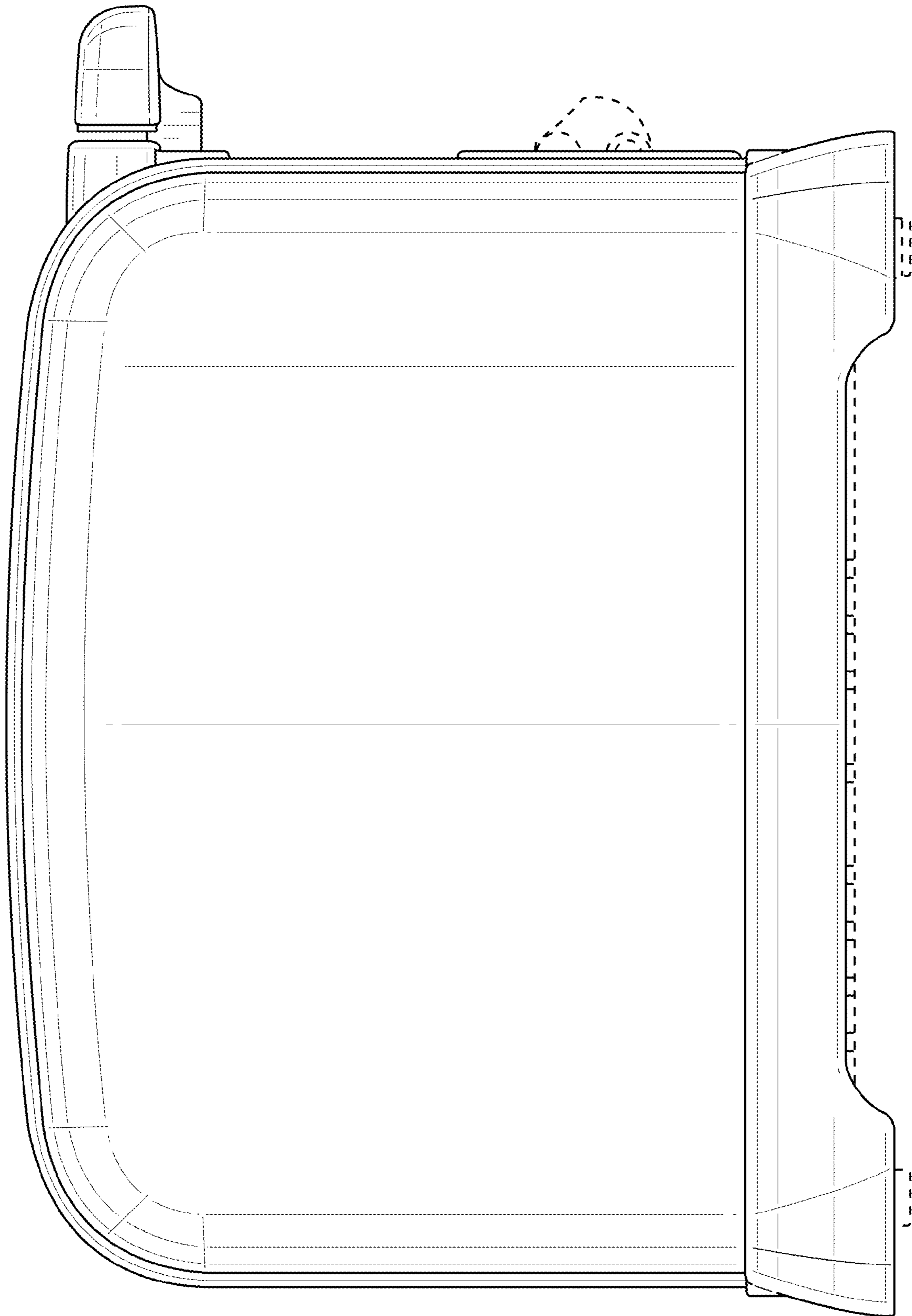




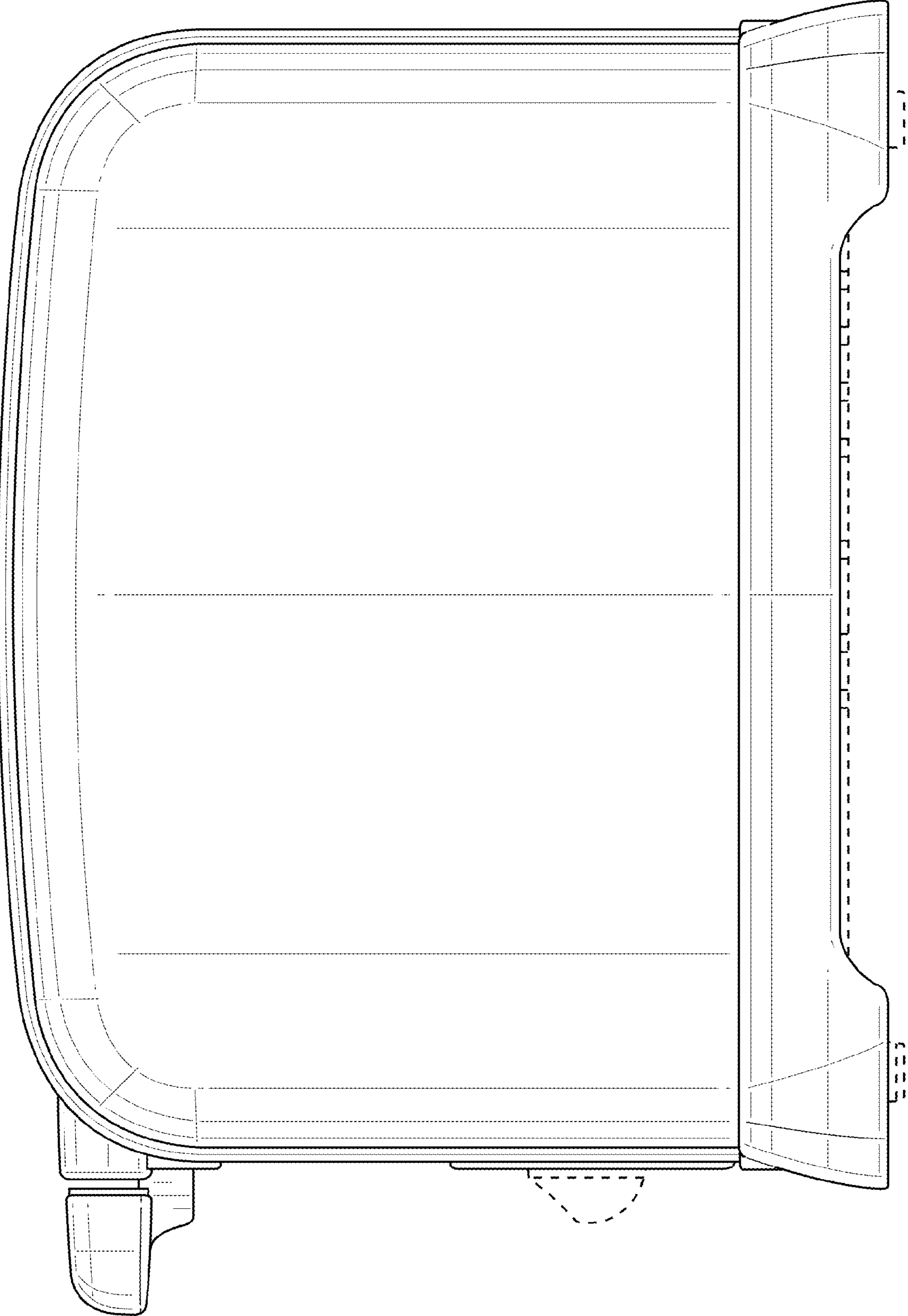
**FIG. 2**



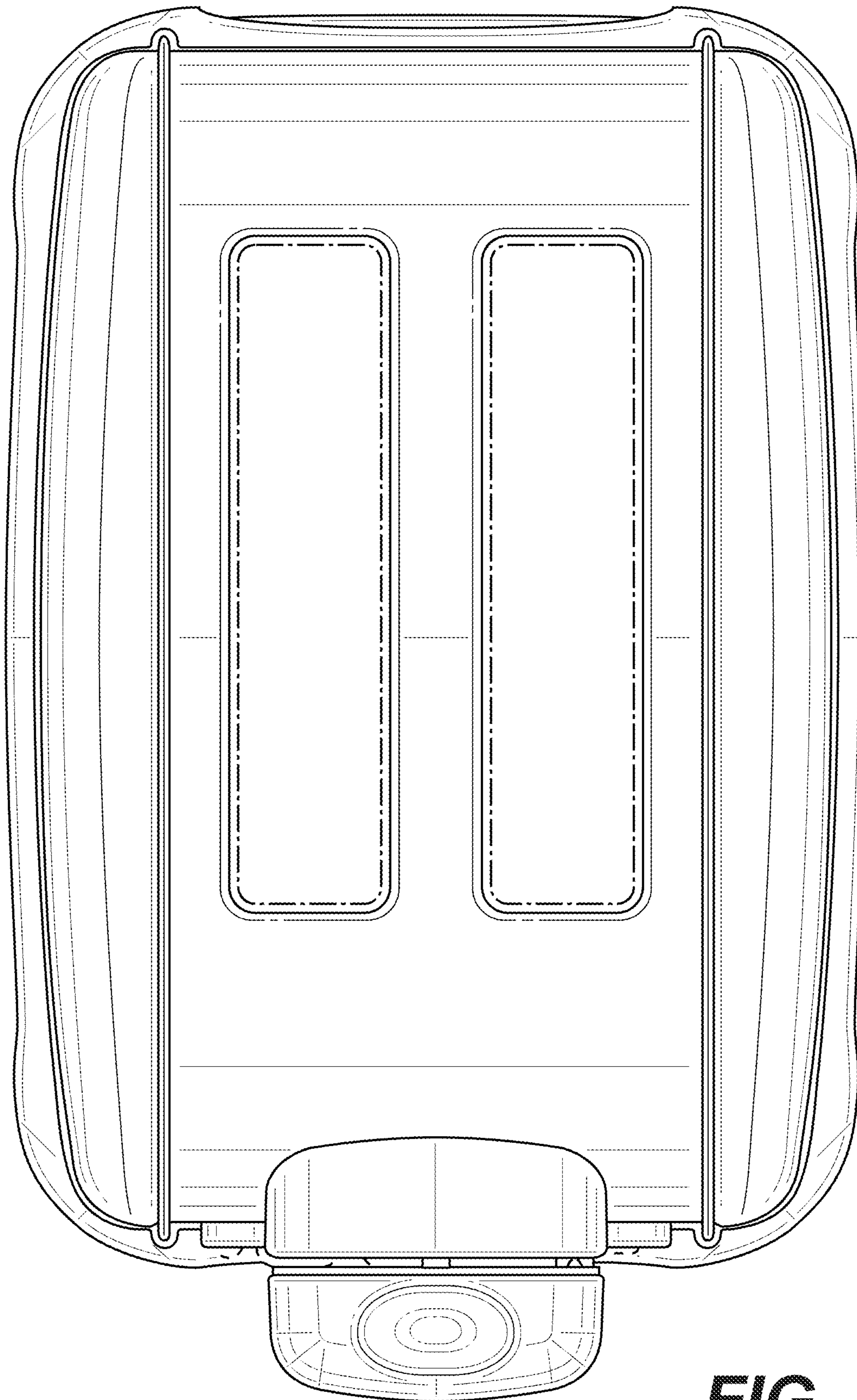
**FIG. 3**



**FIG. 4**

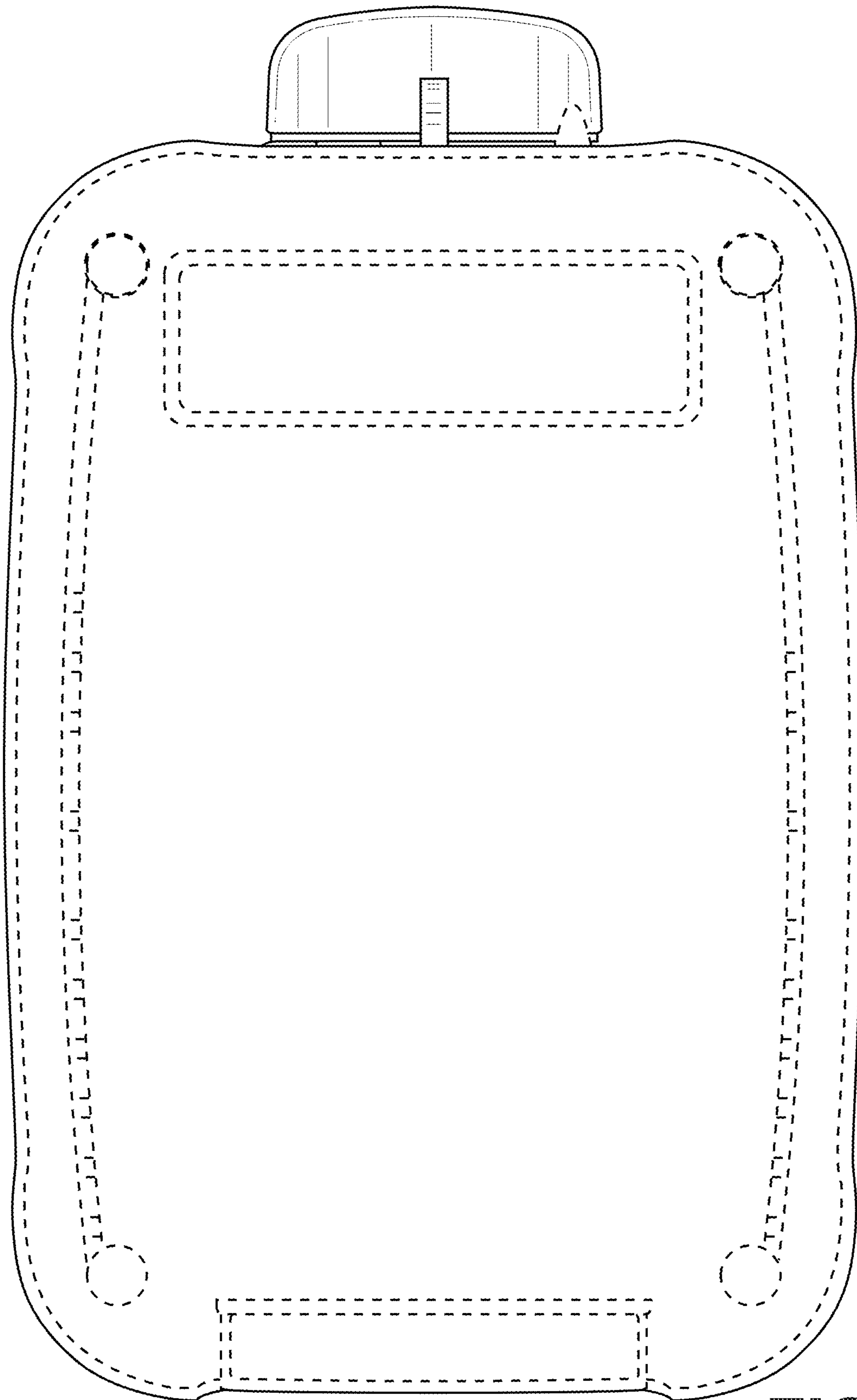


**FIG. 5**



**FIG. 6**





**FIG. 7**