



US00D966771S

(12) **United States Design Patent**
Kim et al.

(10) **Patent No.:** **US D966,771 S**
(45) **Date of Patent:** **** Oct. 18, 2022**

(54) **DRIP COFFEE MACHINE**

D248,720 S * 8/1978 Sato D7/309
5,060,558 A * 10/1991 Beumer A47J 31/445
99/295
5,913,961 A * 6/1999 Chmiel A47J 31/0573
99/307

(71) Applicant: **LG ELECTRONICS INC.**, Seoul
(KR)

(72) Inventors: **Byeongkook Kim**, Seoul (KR);
Woonkyu Seo, Seoul (KR); **Hanjin Jung**, Seoul (KR); **Hyun Choi**, Seoul (KR)

(Continued)

FOREIGN PATENT DOCUMENTS

(73) Assignee: **LG ELECTRONICS INC.**, Seoul
(KR)

CN 304147311 * 5/2017

OTHER PUBLICATIONS

(**) Term: **15 Years**

“Calphalon Special Brew Coffee Maker Instruction Manual,” Oct. 14, 2018, pp. 1, 5, <http://images.calphalon.com/is/content/Calphalon/PDF/BVCLDCG1.pdf> (Year: 2018).*

(21) Appl. No.: **29/798,320**

(Continued)

(22) Filed: **Jul. 7, 2021**

(30) **Foreign Application Priority Data**

Primary Examiner — Joseph Kukella
Assistant Examiner — Arva P Adams

Jan. 12, 2021 (KR) 30-2021-0001571

(74) *Attorney, Agent, or Firm* — Birch, Stewart, Kolasch & Birch, LLP

(51) **LOC (13) Cl.** **07-01**

(52) **U.S. Cl.**
USPC **D7/311; D7/306; D7/309**

(57) **CLAIM**

(58) **Field of Classification Search**
USPC D7/300, 305–313, 355, 362, 365, 367,
D7/397–400; D15/80, 82; D23/207, 238,
D23/239

We claim the ornamental design for a drip coffee machine, as shown and described.

CPC A47J 31/00; A47J 31/0573; A47J 31/0615;
A47J 31/18; A47J 31/32; A47J 31/369;
A47J 31/407; A47J 31/4407; A47J
31/445; A47J 31/4482; A47J 31/46; A47J
31/467; A47J 31/50; A47J 31/525; A23F
5/262; A23F 5/265; A23F 5/267; B67D
1/0021; A23L 2/54; B67C 3/065

DESCRIPTION

See application file for complete search history.

FIG. 1 is a front perspective view of a drip coffee machine showing a new design;
FIG. 2 is a bottom perspective view thereof;
FIG. 3 is a front view thereof;
FIG. 4 is a rear view thereof;
FIG. 5 is a left-side elevation view thereof;
FIG. 6 is a right-side elevation view thereof;
FIG. 7 is a top plan view thereof; and,
FIG. 8 is a bottom plan view thereof.

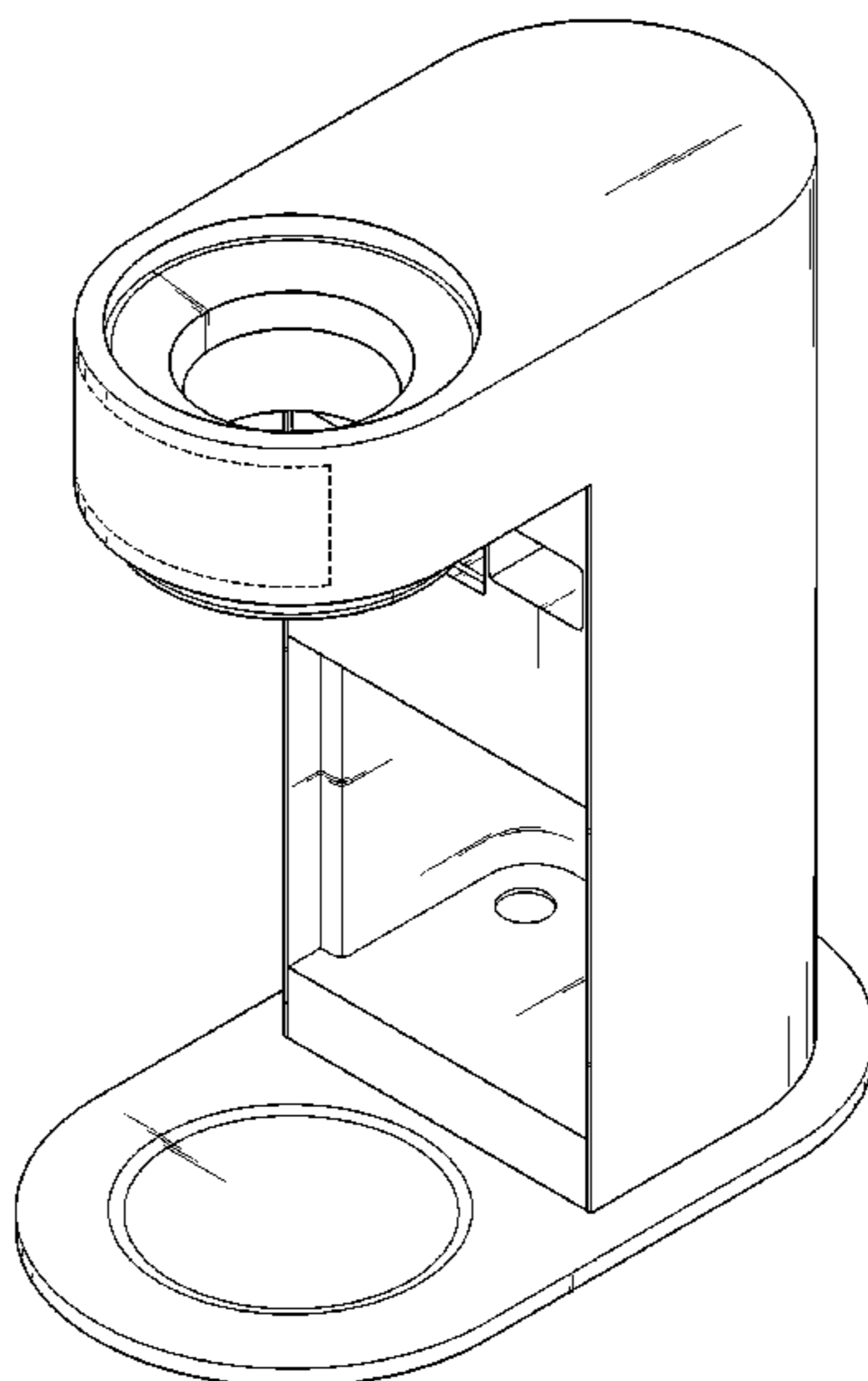
(56) **References Cited**

The broken lines are for the purpose of showing environmental structure and form no part of the claimed design.

U.S. PATENT DOCUMENTS

D218,191 S * 7/1970 Tevolitz D7/309
D229,897 S * 1/1974 Martin D7/309

1 Claim, 8 Drawing Sheets



(56)

References Cited

U.S. PATENT DOCUMENTS

D546,112 S	*	7/2007	Rorke	D7/311
D550,499 S	*	9/2007	Argabrite	D7/311
D580,208 S	*	11/2008	Cheng	D7/311
D660,637 S	*	5/2012	Milewski	D23/207
D669,154 S	*	10/2012	Choi	D23/207
D672,187 S	*	12/2012	Milewski	D7/311
D683,421 S	*	5/2013	Choi	D23/207
D804,893 S	*	12/2017	De' Longhi	D7/378
D812,956 S	*	3/2018	Liang	D7/397
D825,244 S	*	8/2018	Bodum	D7/311
D828,064 S	*	9/2018	McDonald	D7/311
D838,531 S	*	1/2019	Bodum	D7/311
D846,329 S	*	4/2019	Zimmermann	D7/311
D856,058 S	*	8/2019	Szabo	D7/306
D879,530 S	*	3/2020	Cauwood	D7/311
D882,321 S	*	4/2020	Fisher Wong	D7/311
D889,906 S	*	7/2020	Yin	A47J 31/0573
				D7/397
D921,151 S	*	6/2021	Cho	A47J 31/445
				D23/207

OTHER PUBLICATIONS

Bryman, Howard, "Goat Story Unveils the Arco Manual/Electric Grinder," Dec. 15, 2020, Daily Coffee News, <https://dailycoffeenews.com/2020/12/15/goat-story-unveils-the-arco-manual-electric-grinder/> (Year: 2020).*

* cited by examiner

FIG. 1

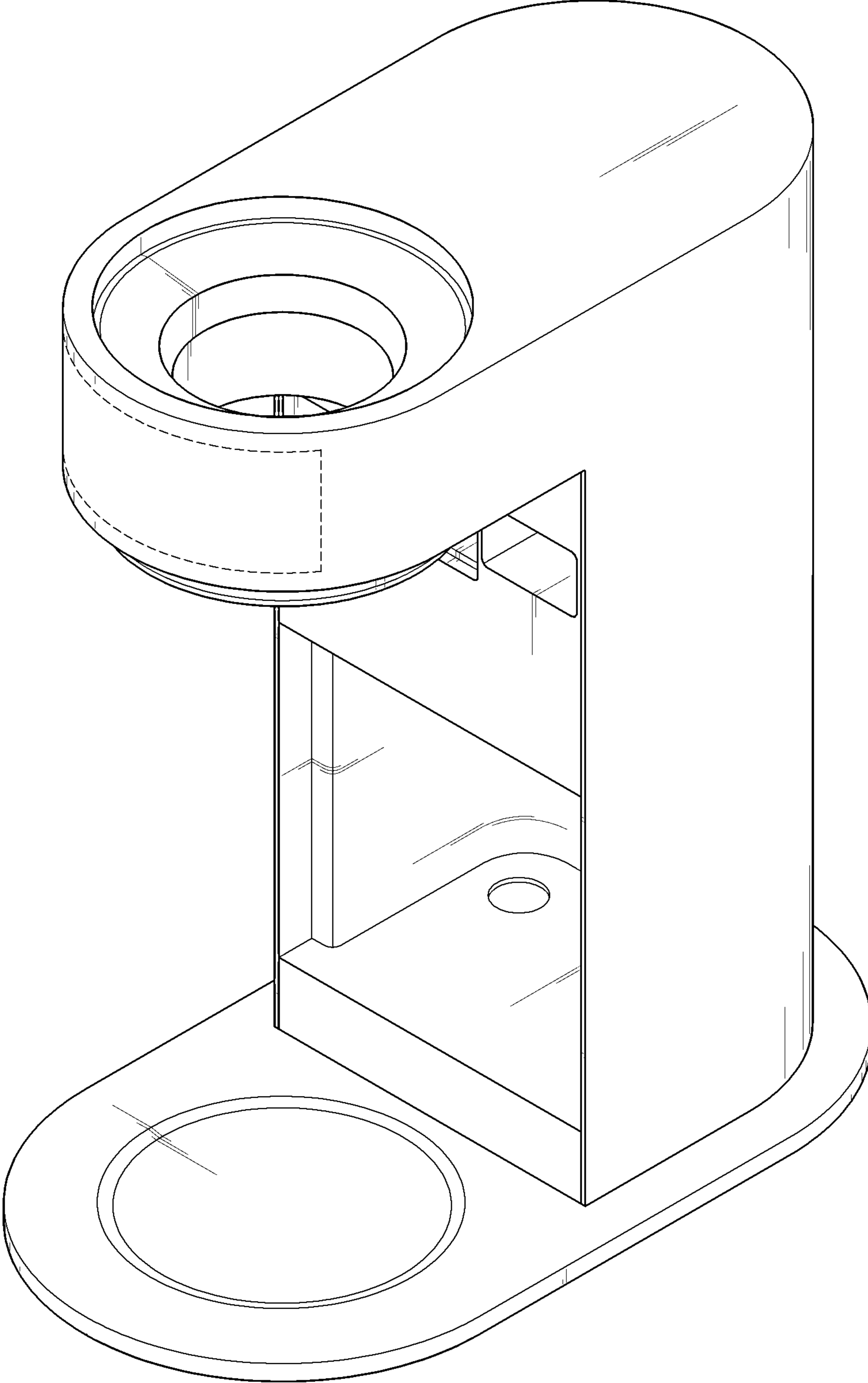


FIG. 2

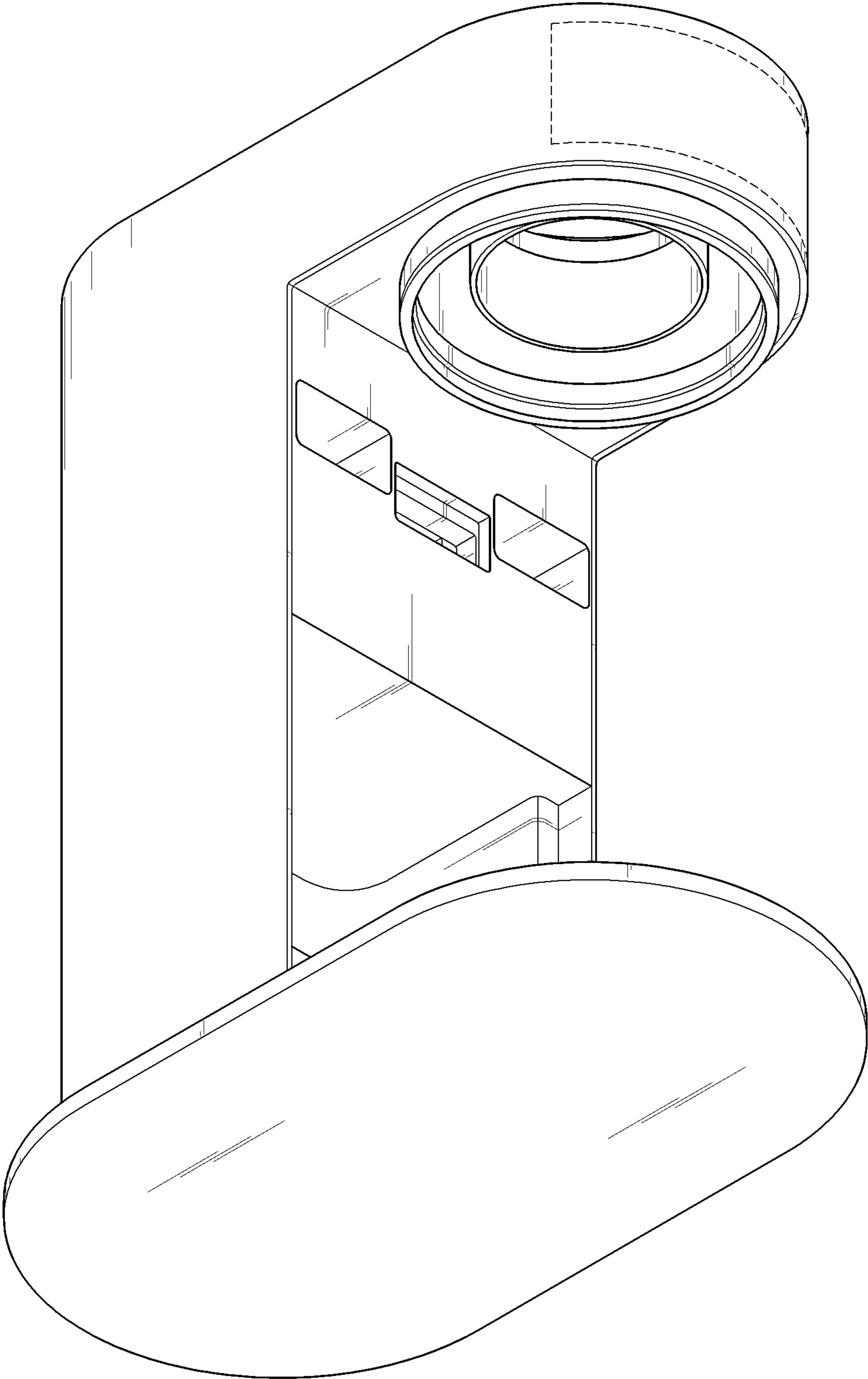


FIG. 3

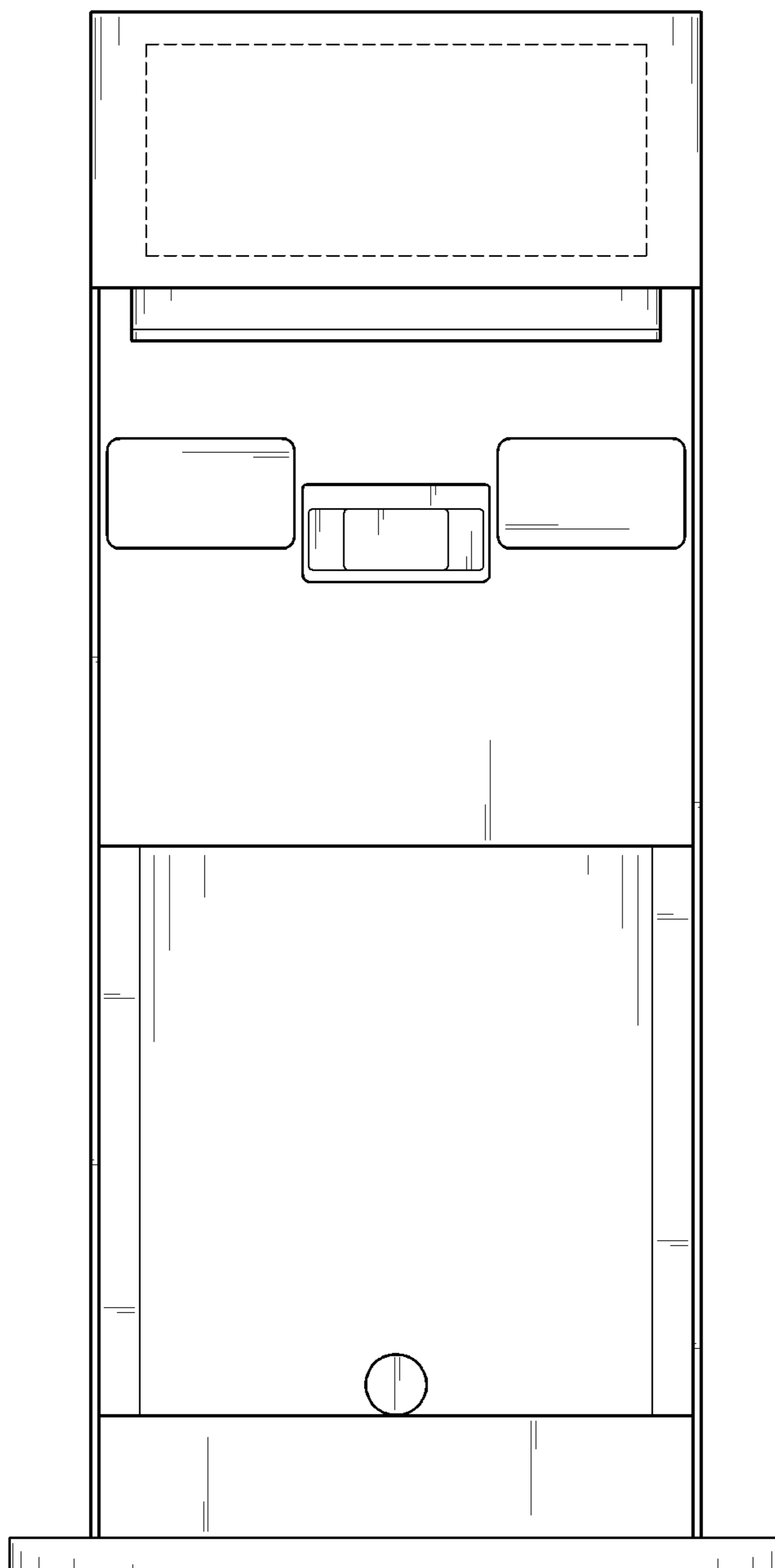


FIG. 4

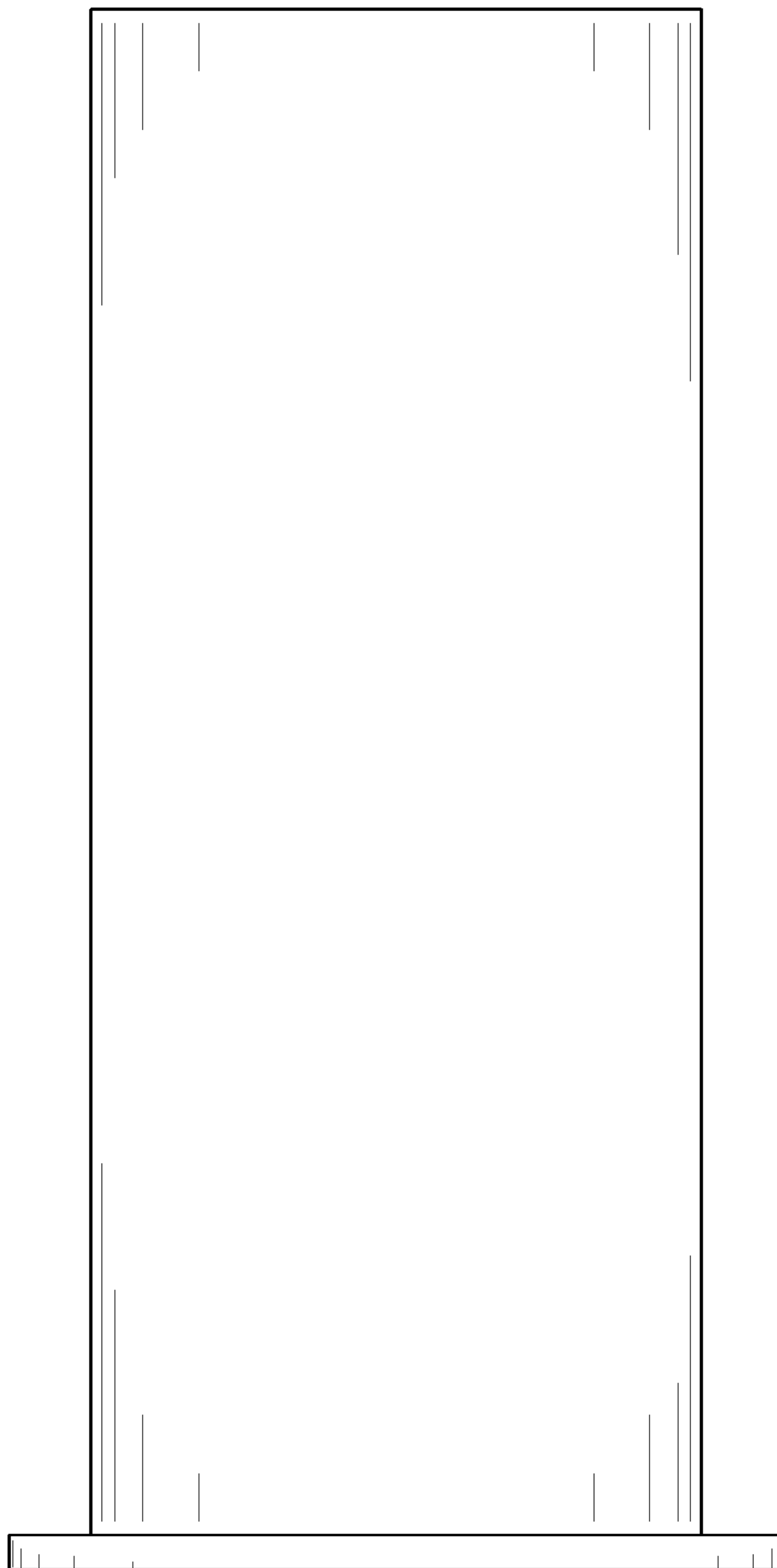


FIG. 5

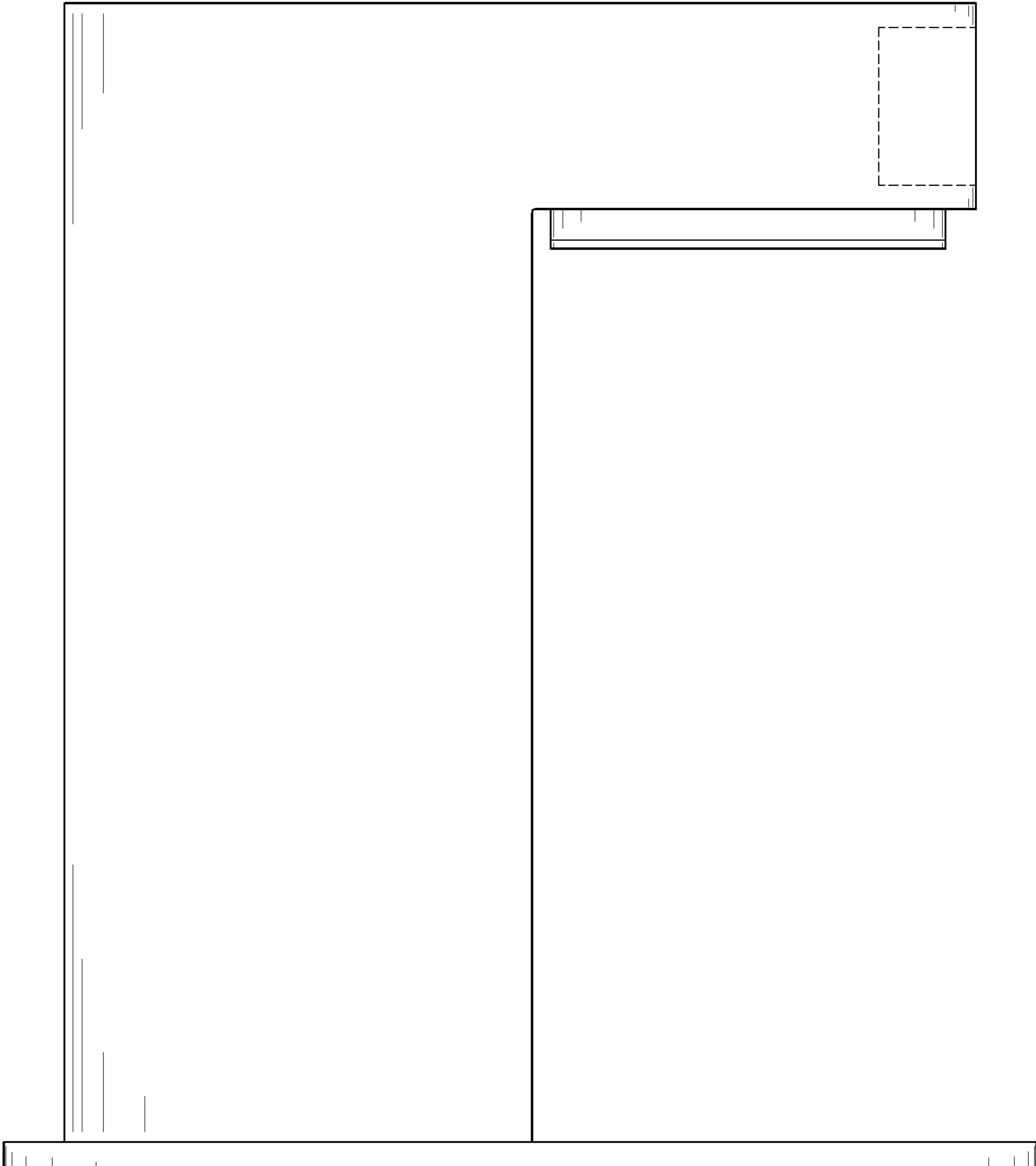


FIG. 6

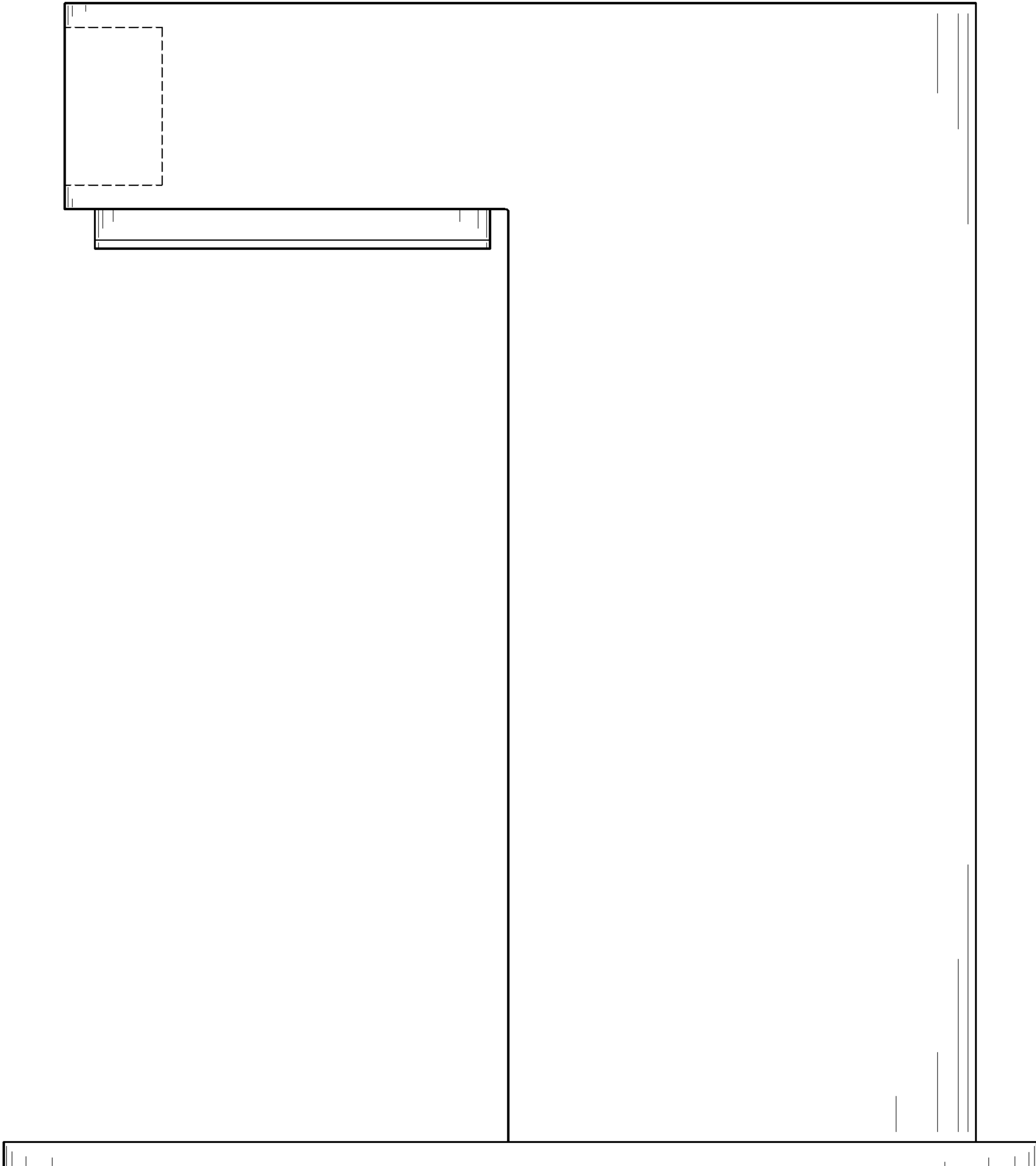


FIG. 7

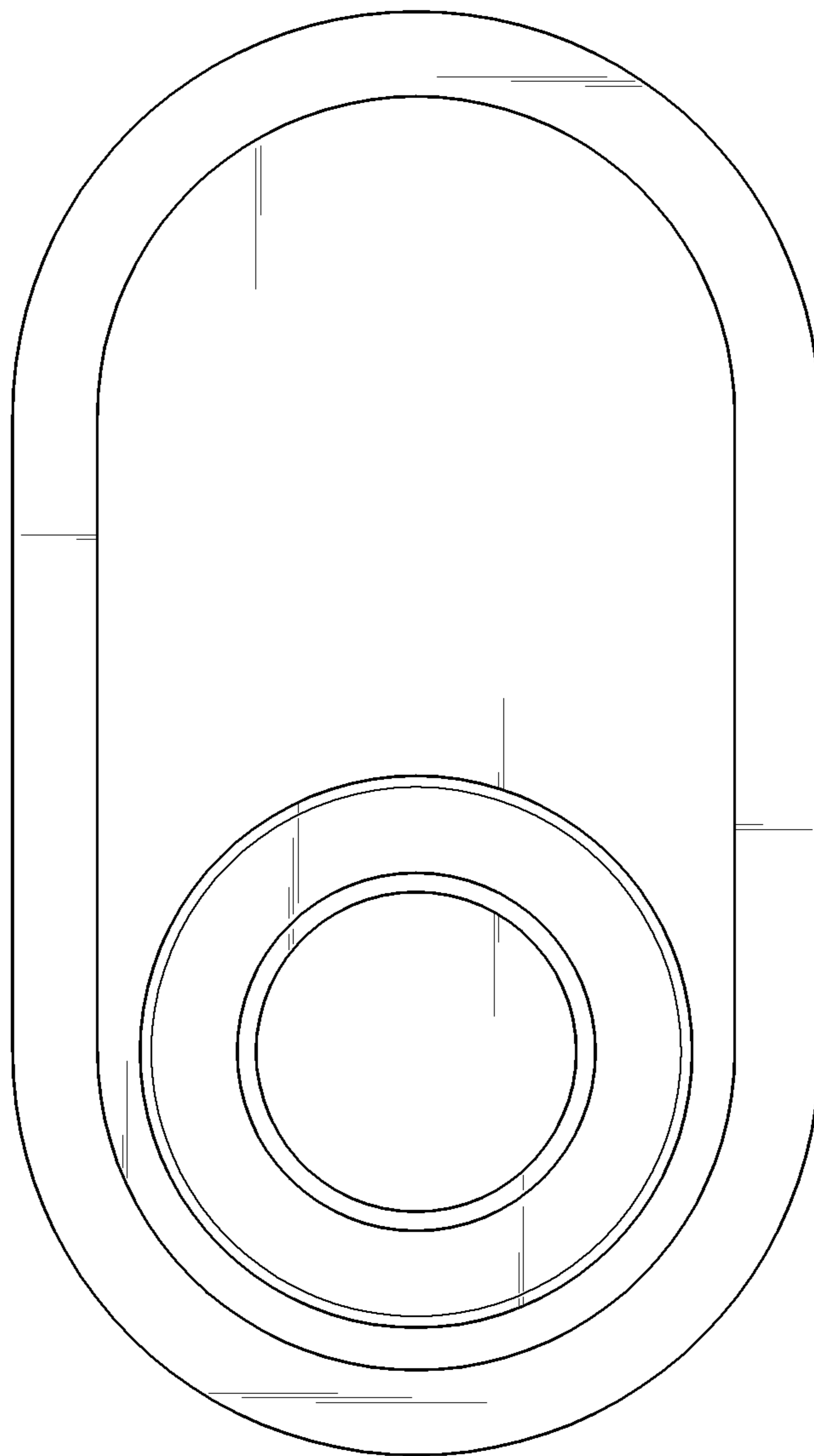


FIG. 8

