



US00D966770S

(12) **United States Design Patent** (10) **Patent No.:** **US D966,770 S**
Ambrosetti et al. (45) **Date of Patent:** **** Oct. 18, 2022**

(54) **COFFEE MACHINE**
(71) Applicant: **Solis of Switzerland AG**, Glattbrugg (CH)
(72) Inventors: **Paolo Ambrosetti**, Jerago con orago (IT); **Paolo Marconato**, Saltrio (IT); **Thomas Nauer**, Künsnacht (CH)

(**) Term: **15 Years**

(21) Appl. No.: **35/513,205**

(22) Filed: **Aug. 17, 2021**

(80) **Hague Agreement Data**

Int. Filing Date: **Aug. 17, 2021**
Int. Reg. No.: **DM/216811**
Int. Reg. Date: **Aug. 17, 2021**
Int. Reg. Pub. Date: **Oct. 22, 2021**

(51) **LOC (13) Cl.** **07-02**

(52) **U.S. Cl.**
USPC **D7/310; D7/306; D7/309; D7/311**

(58) **Field of Classification Search**
USPC **D7/300, 305-313, 315, 372, 373, D7/397-399, 414, 415**

CPC **A23F 5/14; A23F 5/262; A47J 2202/00; A47J 2203/00; A47J 31/02; A47J 31/06; A47J 31/0657; A47J 31/0663; A47J 31/0684; A47J 31/0689; A47J 31/24; A47J 31/36; A47J 31/3609; A47J 31/3619; A47J 31/3633; A47J 31/3671; A47J 31/3676; A47J 31/3685; A47J 31/3695; A47J 31/40; A47J 31/44; A47J 31/4403; A47J 31/4428; A47J 31/446; A47J 31/4482; A47J 31/4485; A47J 31/4489; A47J 31/46; A47J 31/52; A47J 31/56; A47J 31/605; A47J 42/36**

See application file for complete search history.

(56) **References Cited**

U.S. PATENT DOCUMENTS

D205,394 S * 8/1966 Richeson D7/311
4,852,474 A * 8/1989 Mahlich A47J 31/4489
99/323.1

D339,499 S * 9/1993 Seiffert D7/311
D354,193 S * 1/1995 Storsberg D7/311
D364,306 S * 11/1995 Storsberg D7/311
D431,749 S * 10/2000 Cahen D7/311
D431,750 S * 10/2000 Cahen D7/311
D431,751 S * 10/2000 Cahen D7/311
D449,198 S * 10/2001 Cahen D7/311
D449,199 S * 10/2001 Cahen D7/311
D449,488 S * 10/2001 Cahen D7/311
D514,370 S * 2/2006 Jacques D7/311

(Continued)

FOREIGN PATENT DOCUMENTS

CN 306055980 * 9/2020
CN 306465464 * 4/2021

(Continued)

OTHER PUBLICATIONS

MediaMarkt Nederland, "Solis Grind & Infuse 01," Nov. 8, 2016, YouTube, www.youtube.com/watch?v=ivdb5q0iuEM (Year: 2016).*

(Continued)

Primary Examiner — Joseph Kukella
Assistant Examiner — Arva P Adams

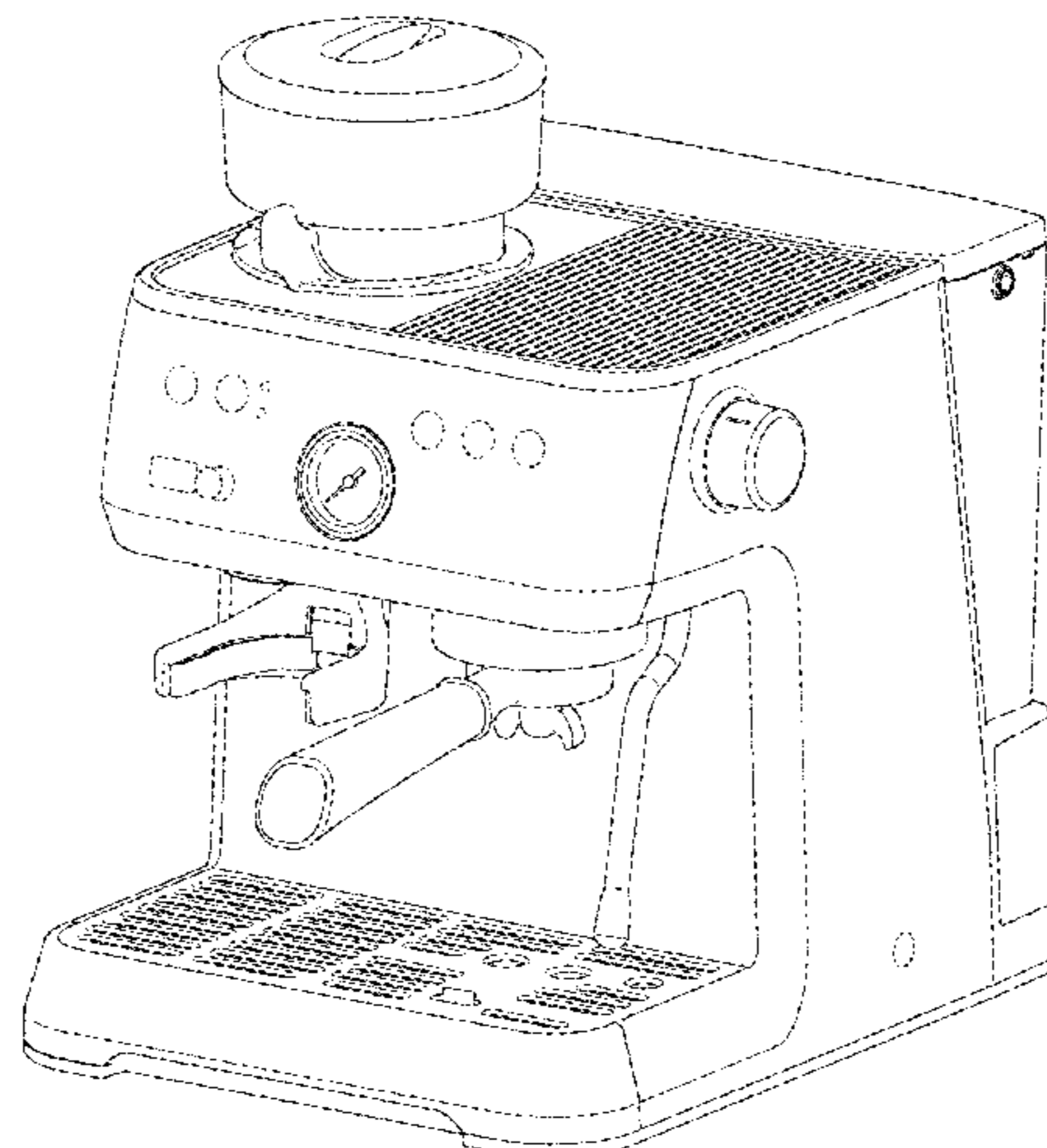
(57) **CLAIM**

The ornamental design for a coffee machine, as shown and described.

DESCRIPTION

- 1. Espresso coffee machine
- 1.1 : Perspective
- 1.2 : Front
- 1.3 : Back
- 1.4 : Left
- 1.5 : Right
- 1.6 : Top
- 1.7 : Bottom

1 Claim, 7 Drawing Sheets



(56)

References Cited

WO WO-2012151629 A1 * 11/2012 A47G 19/14

U.S. PATENT DOCUMENTS

D640,083 S * 6/2011 Davenport D7/311
 D675,471 S * 2/2013 Averty D7/311
 D678,718 S * 3/2013 Grassia D7/397
 D742,169 S * 11/2015 Grassia D7/397
 D805,341 S * 12/2017 De1 D7/311
 D807,098 S * 1/2018 De1 A47J 31/4489
 D7/311
 D807,100 S * 1/2018 De1 D7/311
 D807,675 S * 1/2018 De1 D7/311
 D839,659 S * 2/2019 Cometti D7/373
 D880,223 S * 4/2020 Koidl D7/372

FOREIGN PATENT DOCUMENTS

CN 306545045 * 5/2021
 GB 6158171 * 9/2021

OTHER PUBLICATIONS

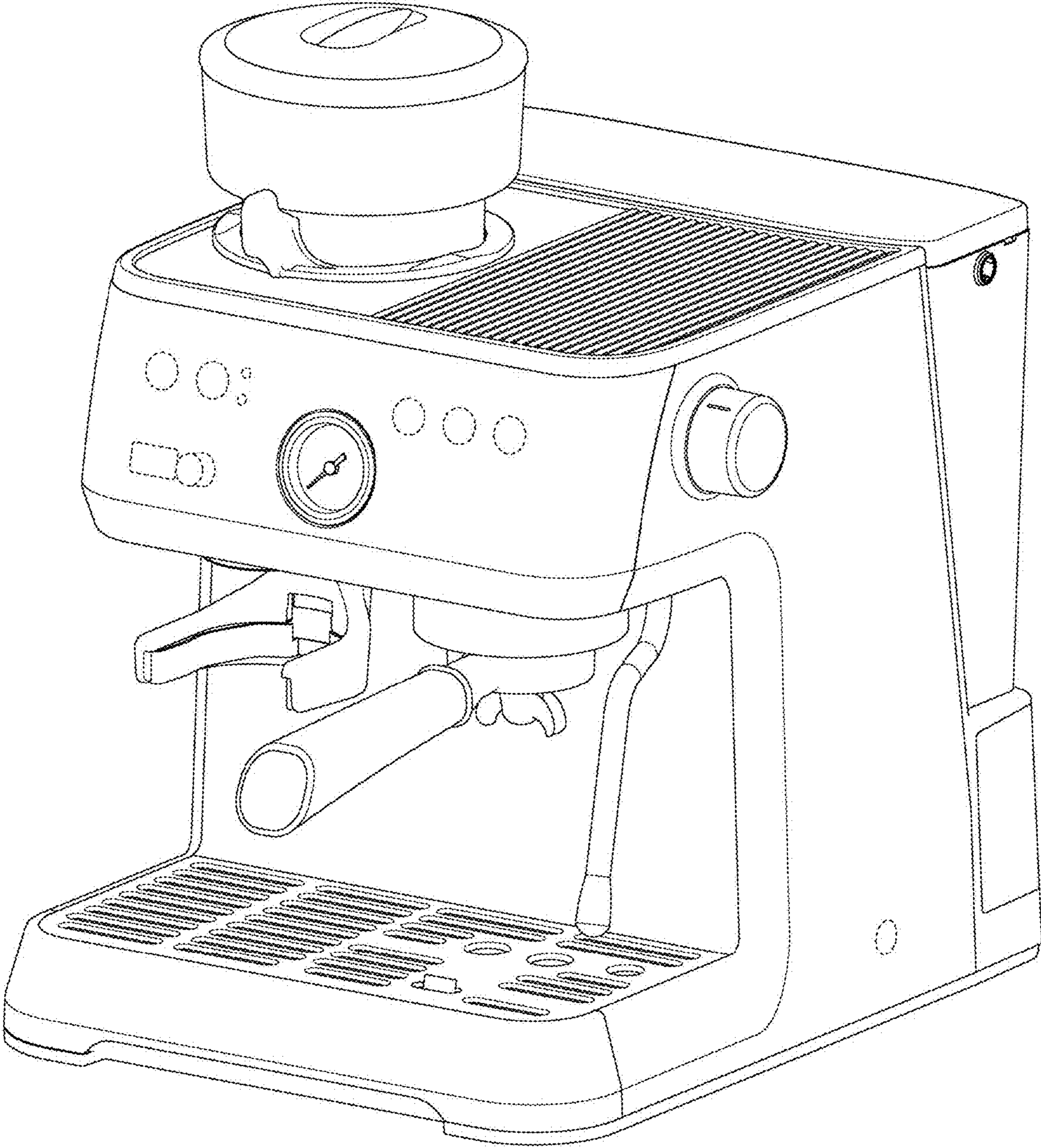
Brand Skillful Limited, "Gevi Espresso Machines 20 Bar Fast Heating Automatic Cappuccino Coffee Maker with Foaming Milk Frother Wand for Espresso, Latte Macchiato," Sep. 28, 2018, www.amazon.com/Gevi-Automatic-Cappuccino-Macchiato-Removable/dp/B09Q3GV7HY (Year: 2018).*

Rice, Elle May, "Aldi's 'unbelievable' new Special Buy coffee machine shoppers 'absolutely love'," Mar. 27, 2021, Liverpool Echo, www.liverpoolecho.co.uk/whats-on/shopping/aldis-unbelievable-new-specialbuy-coffee-20235514 (Year: 2021).*

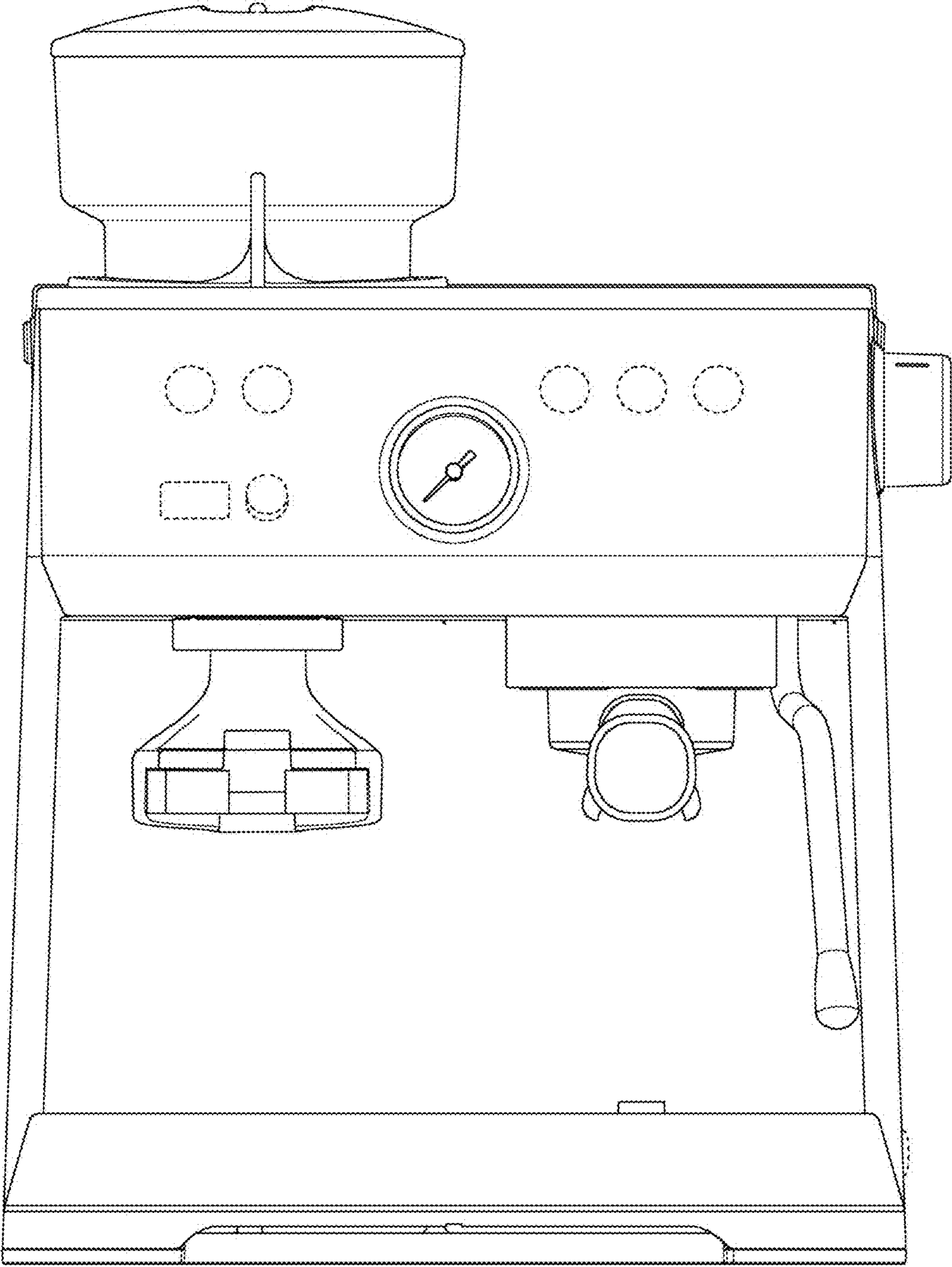
QD Coffee, Facebook post, Nov. 28, 2021, Facebook, www.facebook.com/photo?fbid=278880070917473&set=pcb.278880104250803 (Year: 2021).*

* cited by examiner

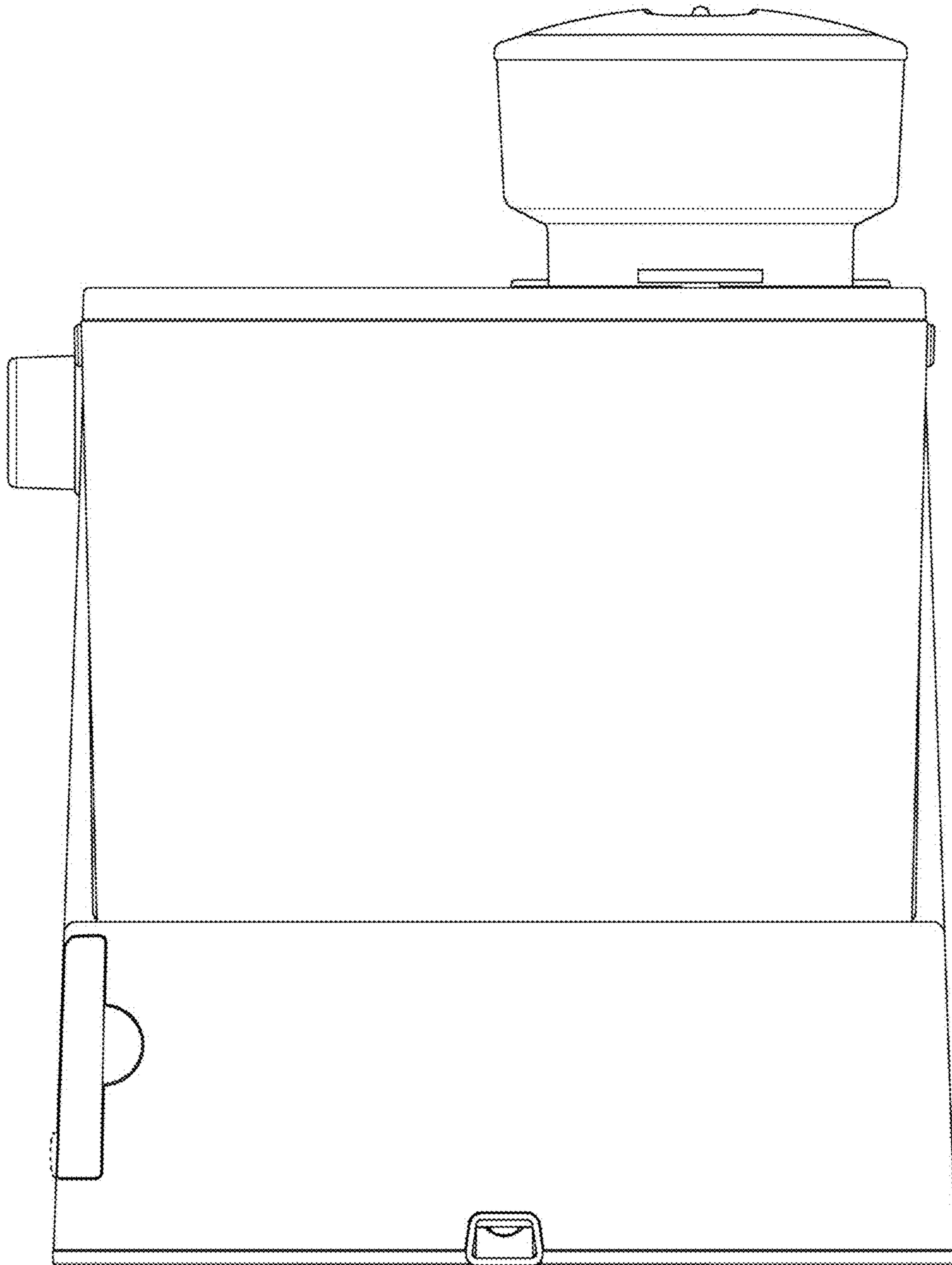
1.1



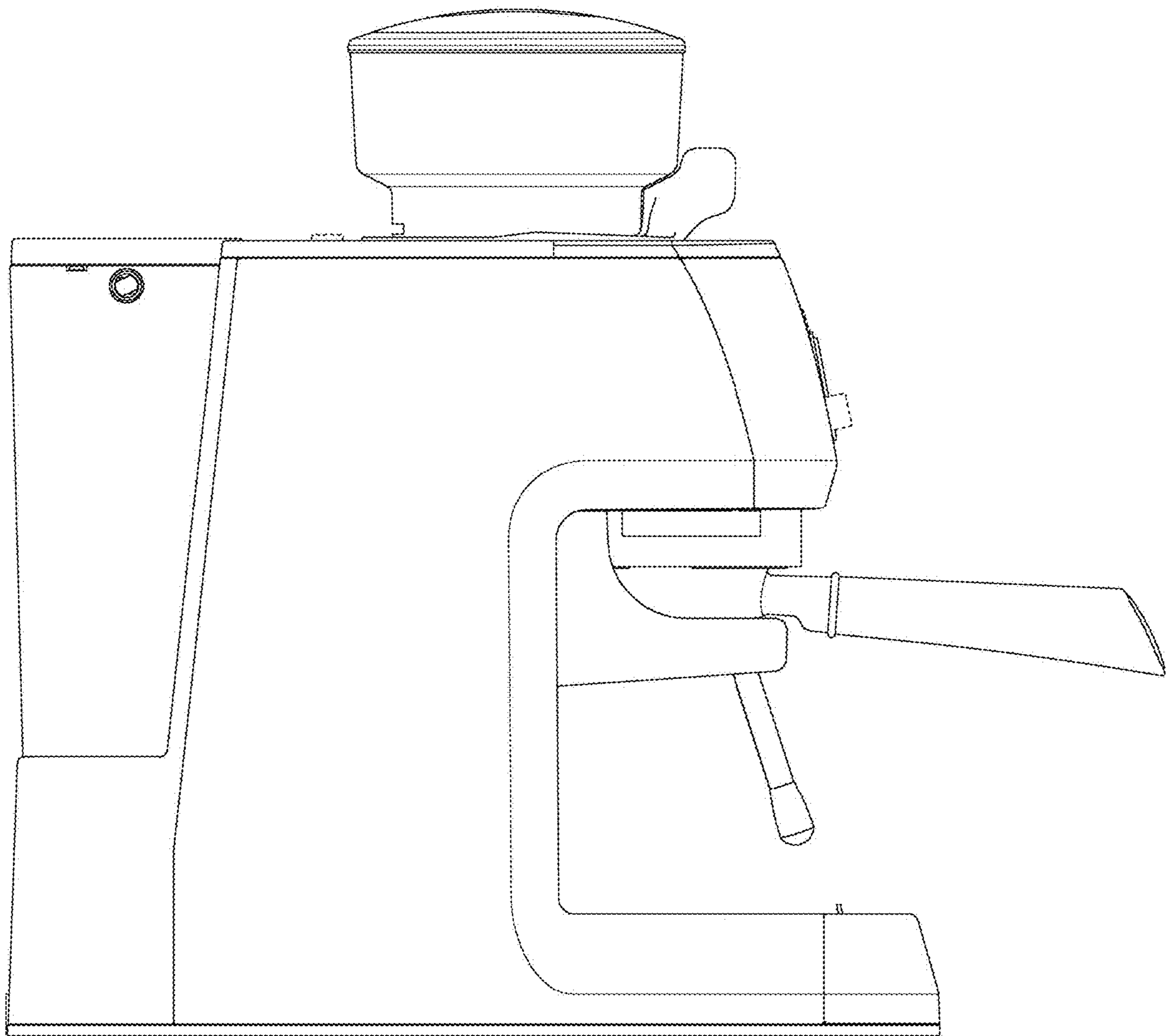
1.2



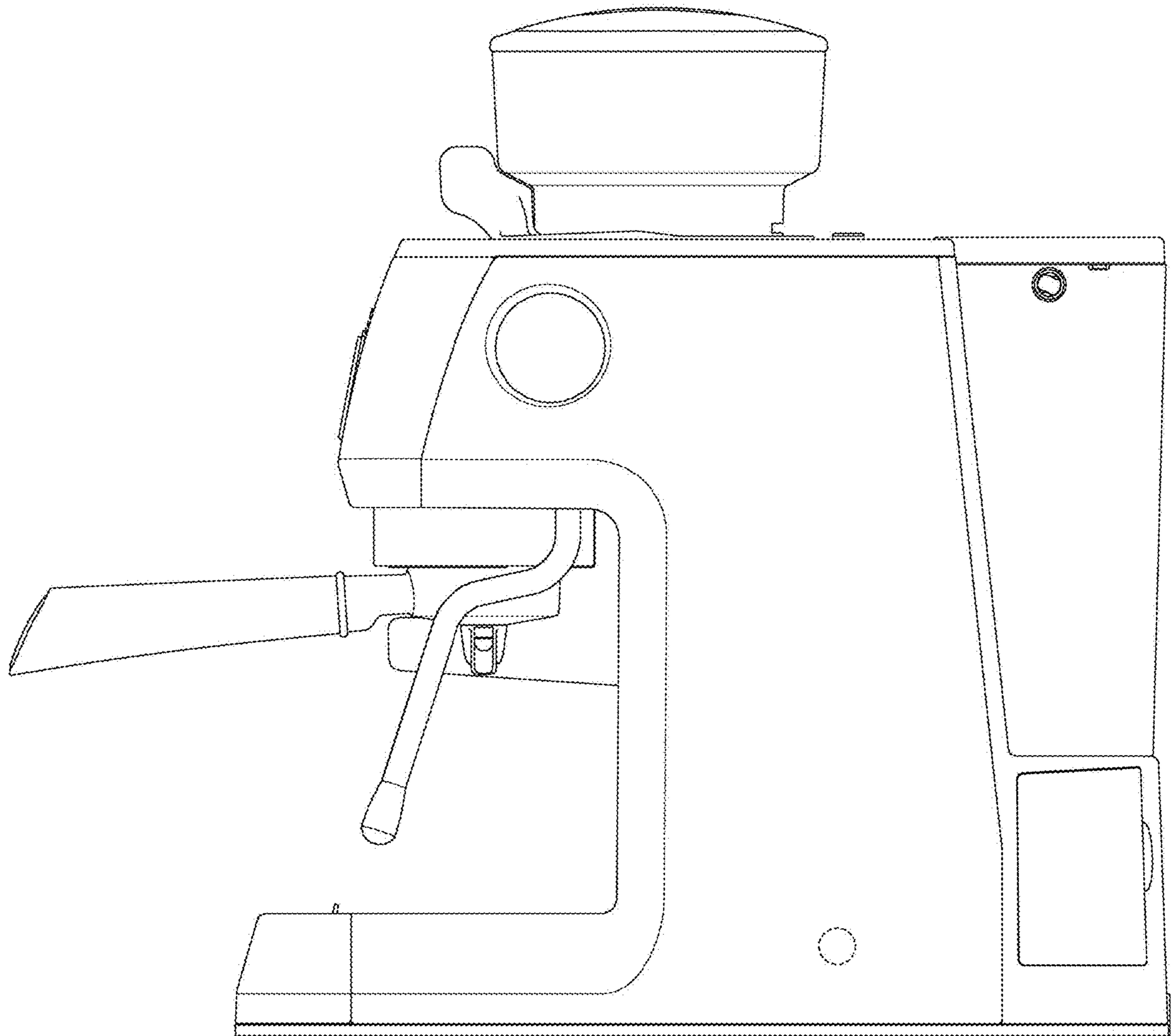
1.3



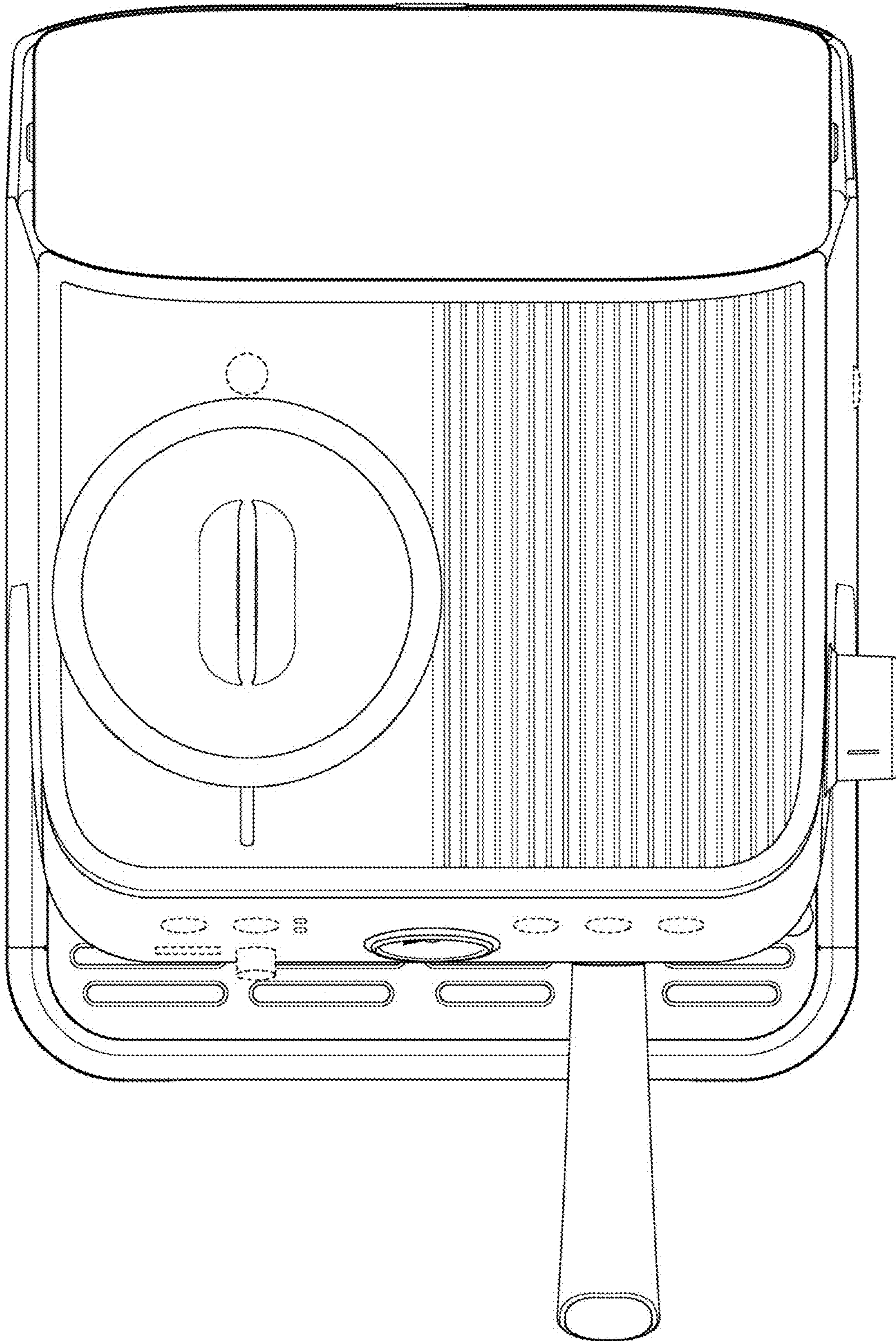
1.4



1.5



1.6



1.7

