

US00D966769S

(12) **United States Design Patent**
Jiang et al.

(10) **Patent No.:** **US D966,769 S**
(45) **Date of Patent:** **** Oct. 18, 2022**

(54) **COFFEE MACHINE**
(71) Applicant: **BEIJING XIAOMI MOBILE SOFTWARE CO., LTD.**, Beijing (CN)
(72) Inventors: **Jing Jiang**, Beijing (CN); **Lei Zhang**, Beijing (CN); **Ningning Li**, Beijing (CN); **Yao Xi**, Beijing (CN)
(73) Assignee: **BEIJING XIAOMI MOBILE SOFTWARE CO., LTD.**, Beijing (CN)

6,269,735 B1 * 8/2001 Rolfes A47J 31/4403
99/279
D511,066 S * 11/2005 Garner D7/311
D550,499 S * 9/2007 Argabrite D7/311
D553,420 S * 10/2007 Bender, II D7/329
D582,714 S * 12/2008 Hensel D7/309
D598,693 S * 8/2009 Kindler D7/311
D600,062 S * 9/2009 Lavy D7/311
D600,492 S * 9/2009 Hammad D7/311

(Continued)

(**) Term: **15 Years**
(21) Appl. No.: **35/511,433**
(22) Filed: **Nov. 20, 2020**

FOREIGN PATENT DOCUMENTS

CN 302614193 S 10/2013
CN 303279271 S 7/2015

(Continued)

(80) **Hague Agreement Data**
Int. Filing Date: **Nov. 20, 2020**
Int. Reg. No.: **DM/212665**
Int. Reg. Date: **Nov. 20, 2020**
Int. Reg. Pub. Date: **Feb. 19, 2021**

Primary Examiner — Steven J Czyz
(74) *Attorney, Agent, or Firm* — Syncoda LLC; Feng Ma

(30) **Foreign Application Priority Data**

(57) **CLAIM**

May 25, 2020 (CN) 202030247320.3

The ornamental design for a coffee machine, as shown and described.

(51) **LOC (13) Cl.** **07-01**
(52) **U.S. Cl.**
USPC **D7/309**

(58) **Field of Classification Search**
USPC D7/300, 306, 309, 311, 354, 355, 397, D7/399
CPC A47J 31/00; A47J 31/007; A47J 31/02; A47J 31/04; A47J 31/057; A47J 31/10; A47J 31/14; A47J 31/16; A47J 31/24; A47J 31/30; A47J 31/34; A47J 31/40; A47J 31/42

DESCRIPTION

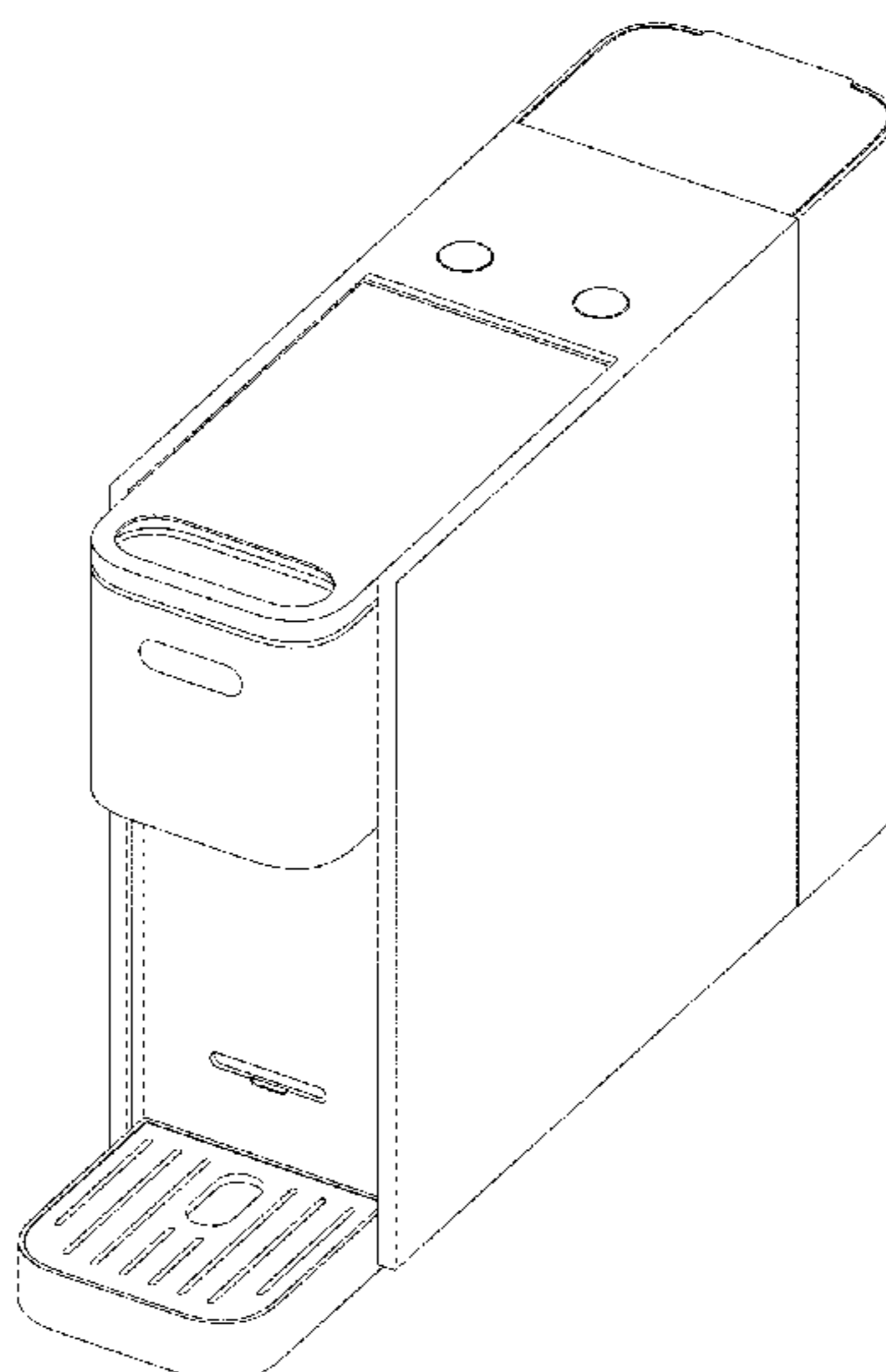
See application file for complete search history.

1. Coffee machine
1.1 is a front view of a coffee machine showing the new design;
1.2 is a back view thereof;
1.3 is a left side view thereof;
1.4 is a right side view thereof;
1.5 is a top view thereof;
1.6 is a bottom view thereof;
1.7 is a front perspective view thereof; and
1.8 is a back perspective view.
The broken lines and areas within them depict portions of the coffee machine that form no part of the claimed design.

(56) **References Cited**
U.S. PATENT DOCUMENTS

5,542,342 A * 8/1996 McNeill A47J 31/42
99/289 R
5,584,229 A * 12/1996 Anson A47J 31/465
99/280

1 Claim, 8 Drawing Sheets



(56)

References Cited

U.S. PATENT DOCUMENTS

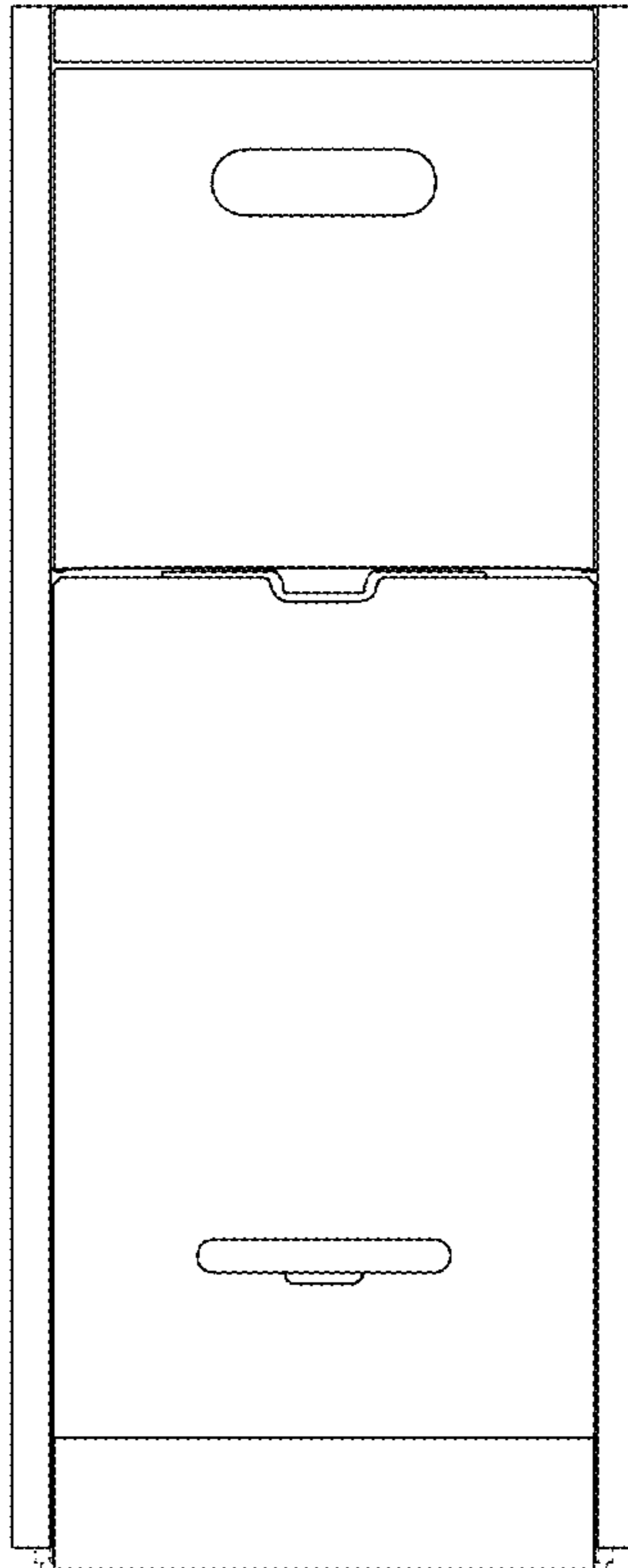
D603,207 S * 11/2009 Metz D7/307
 D604,087 S * 11/2009 Lavy D7/311
 D622,536 S * 8/2010 Ågren D7/311
 D682,599 S * 5/2013 Bolzicco D7/311
 D687,664 S * 8/2013 Beghelli D7/311
 D697,356 S * 1/2014 Choi D7/307
 D726,478 S * 4/2015 Cahen D7/311
 D726,481 S * 4/2015 Cahen D7/311
 D726,482 S * 4/2015 Cahen D7/311
 D731,839 S * 6/2015 Tomasson D7/311
 D732,329 S * 6/2015 Palermo D7/311
 D732,330 S * 6/2015 Cha D7/311
 D741,101 S * 10/2015 Luippold D7/311
 D742,680 S * 11/2015 Burrows D7/311
 D743,199 S * 11/2015 Bardazzi D7/311
 D747,144 S * 1/2016 Sun D7/509
 D757,477 S * 5/2016 Wang D7/313
 D760,009 S * 6/2016 Moammer D7/311
 D760,529 S * 7/2016 Hakansson D7/311
 D777,498 S * 1/2017 Bandixen D7/311
 D781,633 S * 3/2017 Cahen D7/311
 D792,146 S * 7/2017 Burrows D7/311
 D817,061 S * 5/2018 Lissoni D7/309
 D830,756 S * 10/2018 Cahen D7/306
 D831,398 S * 10/2018 Cahen D7/311
 D841,383 S * 2/2019 Warburton A47J 31/44
 D862,143 S * 10/2019 Stefanoni D7/311
 D862,144 S * 10/2019 Merelli A47J 31/44
 D862,963 S * 10/2019 Lee D7/311
 D872,513 S * 1/2020 Kaplan D7/311
 D877,563 S * 3/2020 Cauwood D7/397
 D879,530 S * 3/2020 Cauwood D7/311
 D879,531 S * 3/2020 Cauwood D7/311
 D882,321 S * 4/2020 Fisher Wong D7/311
 D888,485 S * 6/2020 Kim D23/209
 D888,486 S * 6/2020 Yang D7/311
 D888,488 S * 6/2020 McColl D7/311
 D891,167 S * 7/2020 Wang D7/311
 D891,845 S * 8/2020 Rummel D7/308
 D892,530 S * 8/2020 Bignu D7/311
 D893,234 S * 8/2020 Broen D7/397
 D893,945 S * 8/2020 Cauwood D7/397
 D894,658 S * 9/2020 Davenport D7/311

D894,661 S * 9/2020 Yin D7/311
 D931,028 S * 9/2021 Dutruel D7/309
 D931,671 S * 9/2021 Bignu D7/309
 D935,257 S * 11/2021 Baur D7/300
 D935,828 S * 11/2021 Sanderson D7/412
 D936,406 S * 11/2021 Lissoni D7/309
 D939,875 S * 1/2022 Rubin D7/311
 D939,879 S * 1/2022 Altun D7/311
 D941,625 S * 1/2022 Choi D7/309
 D942,197 S * 2/2022 Yi D7/309
 D943,329 S * 2/2022 Cha D7/306
 D943,331 S * 2/2022 Cauwood D7/309
 D943,332 S * 2/2022 Dou D7/311
 D944,581 S * 3/2022 Powell D7/309
 D945,201 S * 3/2022 Nalen D7/311
 D945,810 S * 3/2022 Fontier D7/400
 D948,263 S * 4/2022 Robinson D7/306
 D948,269 S * 4/2022 Byun D7/311
 D948,904 S * 4/2022 Park D7/311
 D948,911 S * 4/2022 Cha D7/311
 D948,913 S * 4/2022 Cha D7/311
 D949,616 S * 4/2022 Duran D7/309
 D950,293 S * 5/2022 Braukmann D7/311
 11,317,755 B2 * 5/2022 Nabeiro A47J 31/42
 2011/0000378 A1 * 1/2011 Albrecht F16D 65/095
 99/295
 2015/0164265 A1 * 6/2015 Cheng A47J 31/4482
 251/129.04
 2015/0289713 A1 * 10/2015 Tahincioglu A47J 31/56
 99/295
 2015/0335194 A1 * 11/2015 Zhong A47J 31/4489
 99/293
 2022/0061583 A1 * 3/2022 Sachtleben A47J 42/40
 2022/0061584 A1 * 3/2022 Tibbe A47J 31/42
 2022/0071435 A1 * 3/2022 Tseng G06K 7/10722
 2022/0071437 A1 * 3/2022 Tseng A47J 31/4492

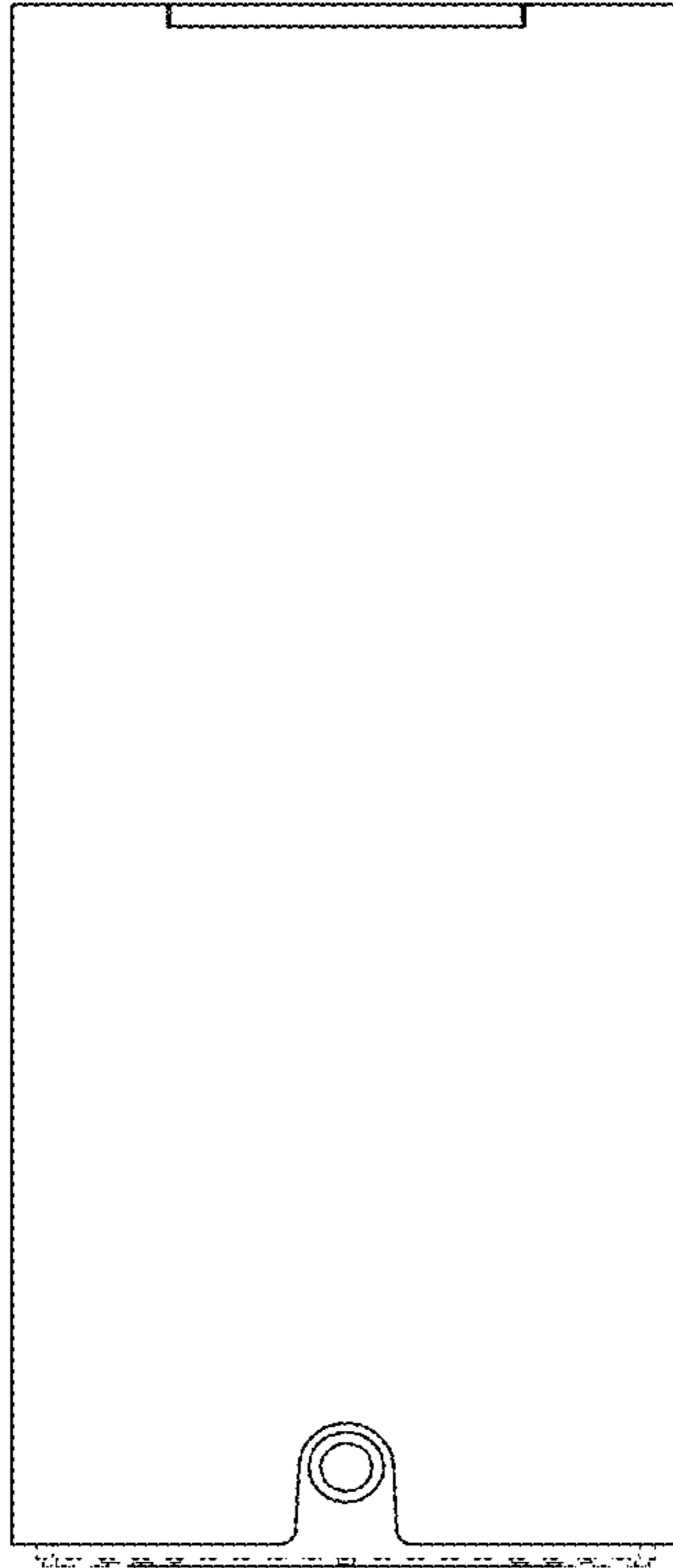
FOREIGN PATENT DOCUMENTS

CN 303962267 S 12/2016
 CN 304107569 S 4/2017
 CN 304186648 S 6/2017
 CN 304230014 S 8/2017
 CN 304905790 S 11/2018
 CN 305334185 S 9/2019
 CN 305431219 S 11/2019
 KR 30-0929264-2 S 2/2018

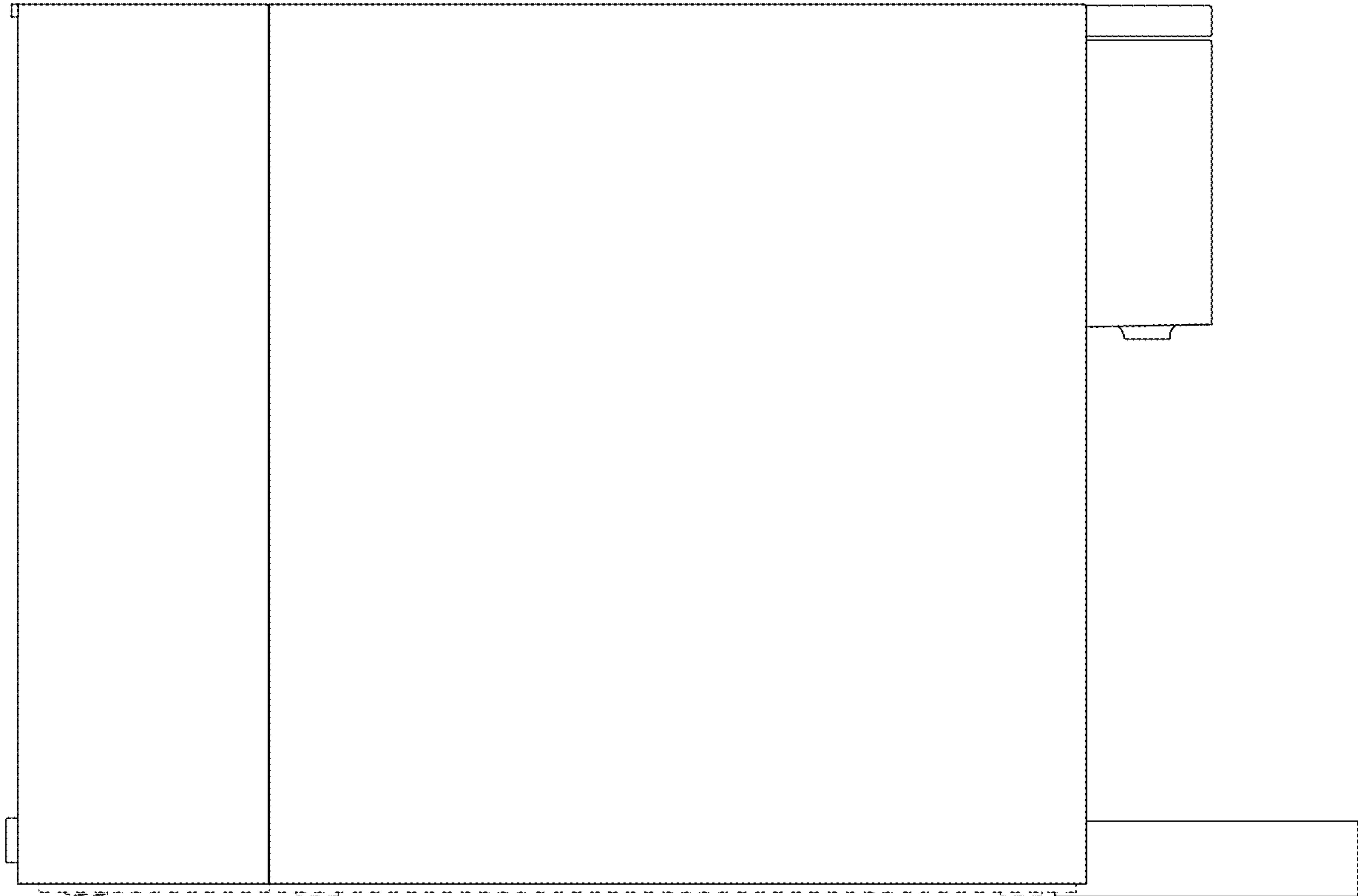
* cited by examiner



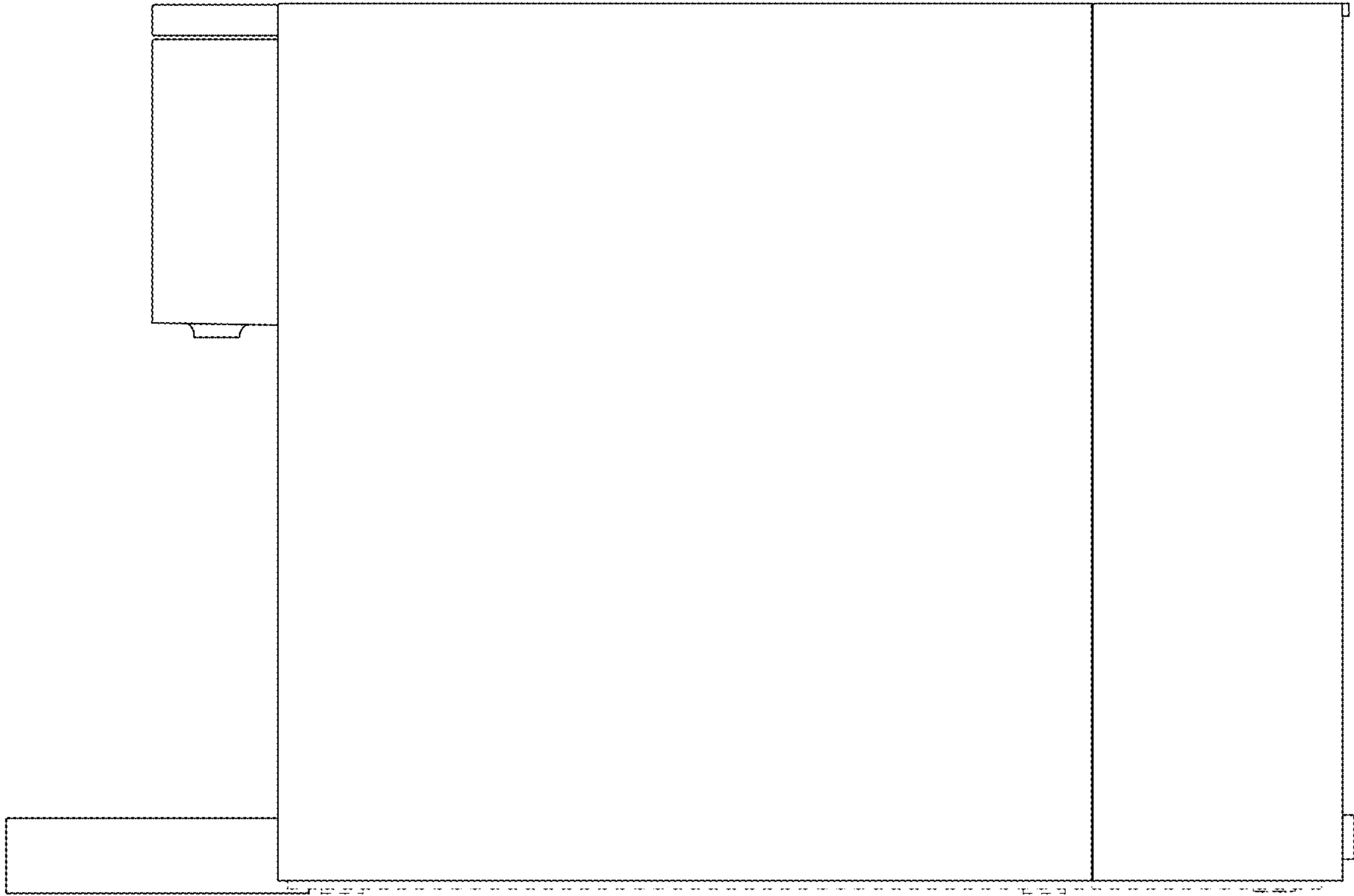
1.1



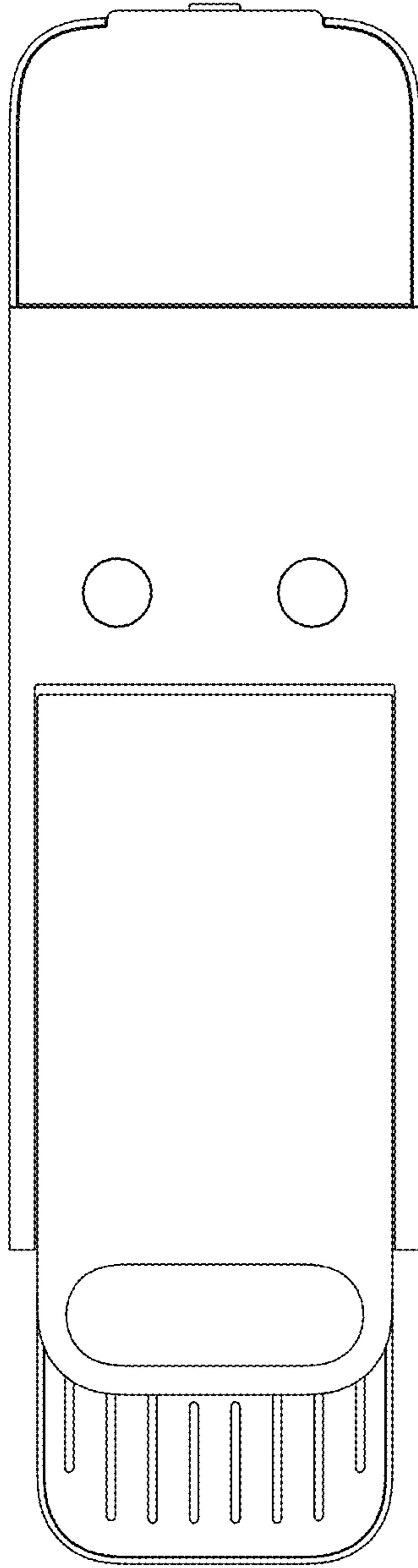
1.2



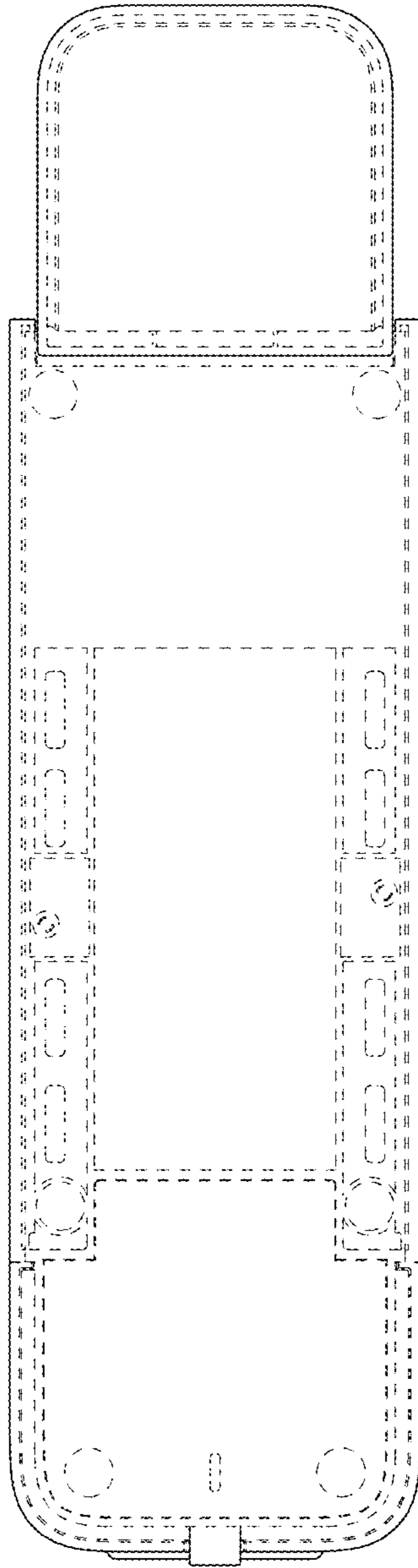
1.3



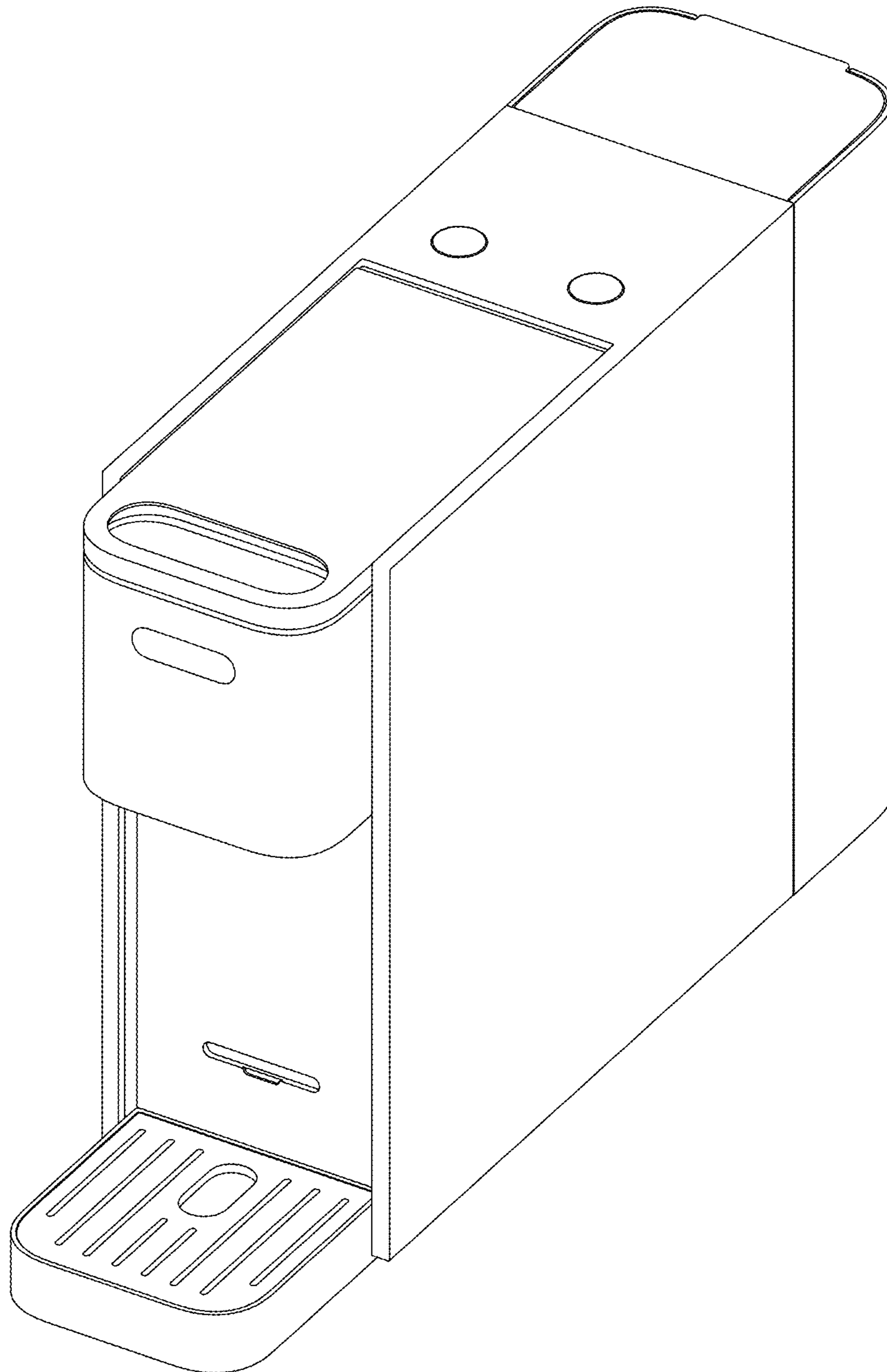
1.4



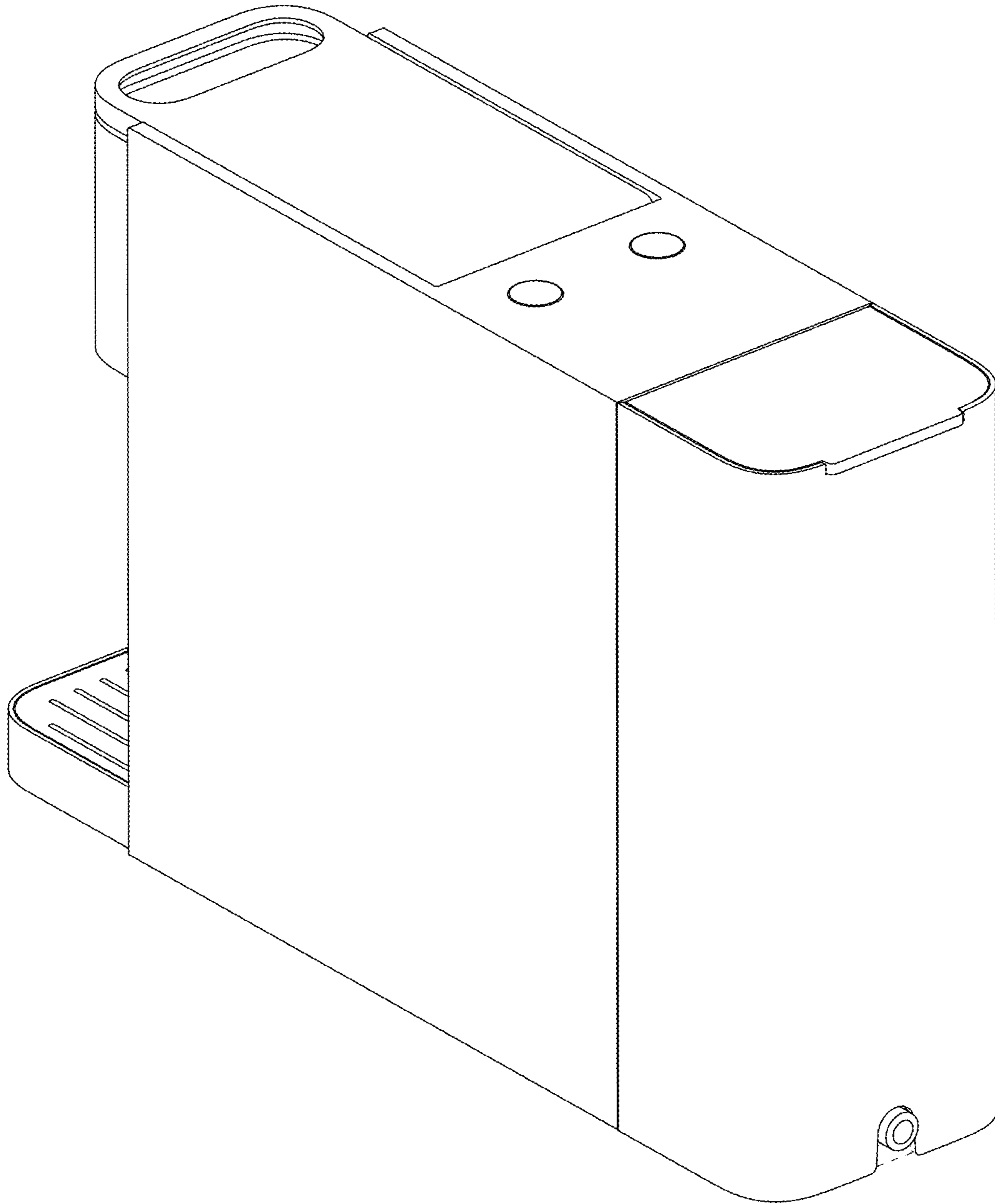
1.5



1.6



1.7



1.8