



US00D966767S

(12) **United States Design Patent** (10) **Patent No.:** **US D966,767 S**  
**Hansson et al.** (45) **Date of Patent:** **\*\* Oct. 18, 2022**

(54) **SEAT SIDE PANEL**  
(71) Applicant: **B/E Aerospace, Inc.**, Winston-Salem, NC (US)  
(72) Inventors: **Charles Martin Hansson**, Winston-Salem, NC (US); **John Iossifidis**, Miami, FL (US)  
(73) Assignee: **B/E Aerospace, Inc.**, Winston-Salem, NC (US)

8,536,075 B2 9/2013 Leonard  
D702,070 S 4/2014 Sizelove  
D748,405 S 2/2016 Sethapun et al.  
D800,464 S 10/2017 Larabie et al.  
10,308,177 B2 6/2019 Veca et al.  
D868,951 S 12/2019 Rejkowski et al.  
2006/0147678 A1 7/2006 Marmaropoulos et al.  
2006/0151308 A1 7/2006 Marmaropoulos et al.  
2006/0157334 A1 7/2006 Marmaropoulos et al.  
2013/0313099 A1 11/2013 Komaki et al.  
2019/0004849 A1 1/2019 Bushman et al.  
2019/0025953 A1 1/2019 Ma et al.  
2020/0063297 A1 2/2020 Kabany

(\*\*) Term: **15 Years**

**FOREIGN PATENT DOCUMENTS**

(21) Appl. No.: **29/747,095**  
(22) Filed: **Aug. 19, 2020**  
(51) **LOC (13) Cl.** ..... **06-06**  
(52) **U.S. Cl.**  
USPC ..... **D6/717**  
(58) **Field of Classification Search**  
USPC ..... D6/334-336, 364, 367, 371, 373, 374, D6/375, 381, 716, 716.1, 716.2, 716.3, D6/716.4, 717  
CPC .... A47C 7/18; A47C 7/24; A47C 7/54; A47C 7/541; A47C 7/56; A47C 17/00; A47C 17/02; A47C 17/04; A47C 17/86  
See application file for complete search history.

CN 302303826 S 1/2013  
CN 302785563 S 4/2014  
DE 2440029 A1 3/1976  
EM 0013401030001 S 9/2012  
EM 0022100620001 S 4/2013  
EM 0025653820018 S 4/2015  
GB 2070694 A 9/1981  
WO 2019058123 A1 3/2019

\* cited by examiner

*Primary Examiner* — Mimoso De

(74) *Attorney, Agent, or Firm* — Suiter Swantz pc llo

(57) **CLAIM**

The ornamental design for a seat side panel, as shown and described.

(56) **References Cited**

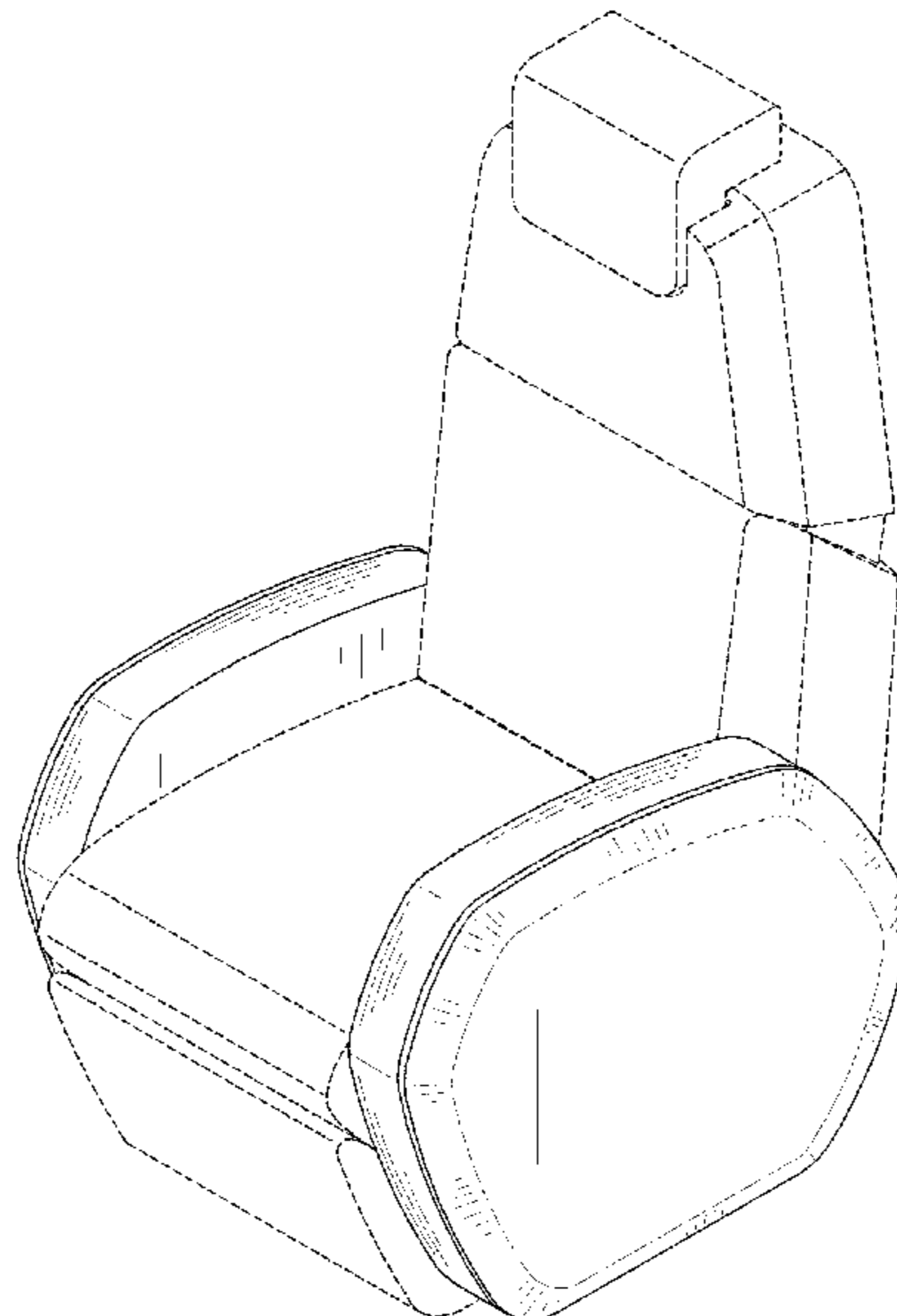
**U.S. PATENT DOCUMENTS**

D402,125 S 12/1998 Dryburgh et al.  
D405,275 S 2/1999 Dryburgh et al.  
D409,010 S 5/1999 Papaioannou et al.  
D535,123 S \* 1/2007 Garcia ..... D6/717  
D577,503 S 9/2008 Priestman  
7,514,641 B2 4/2009 Kohatsu et al.  
D609,033 S \* 2/2010 Palumbo ..... D6/717  
D622,988 S 9/2010 Alford  
D645,681 S 9/2011 Grell  
D688,060 S 8/2013 Sizelove

**DESCRIPTION**

FIG. 1 is a perspective view showing our new design;  
FIG. 2 is a top plan view thereof;  
FIG. 3 is a front elevation view thereof;  
FIG. 4 is a left side elevation view thereof;  
FIG. 5 is a rear elevation view thereof;  
FIG. 6 is a right side elevation view thereof; and,  
FIG. 7 is a bottom plan view thereof.

**1 Claim, 7 Drawing Sheets**



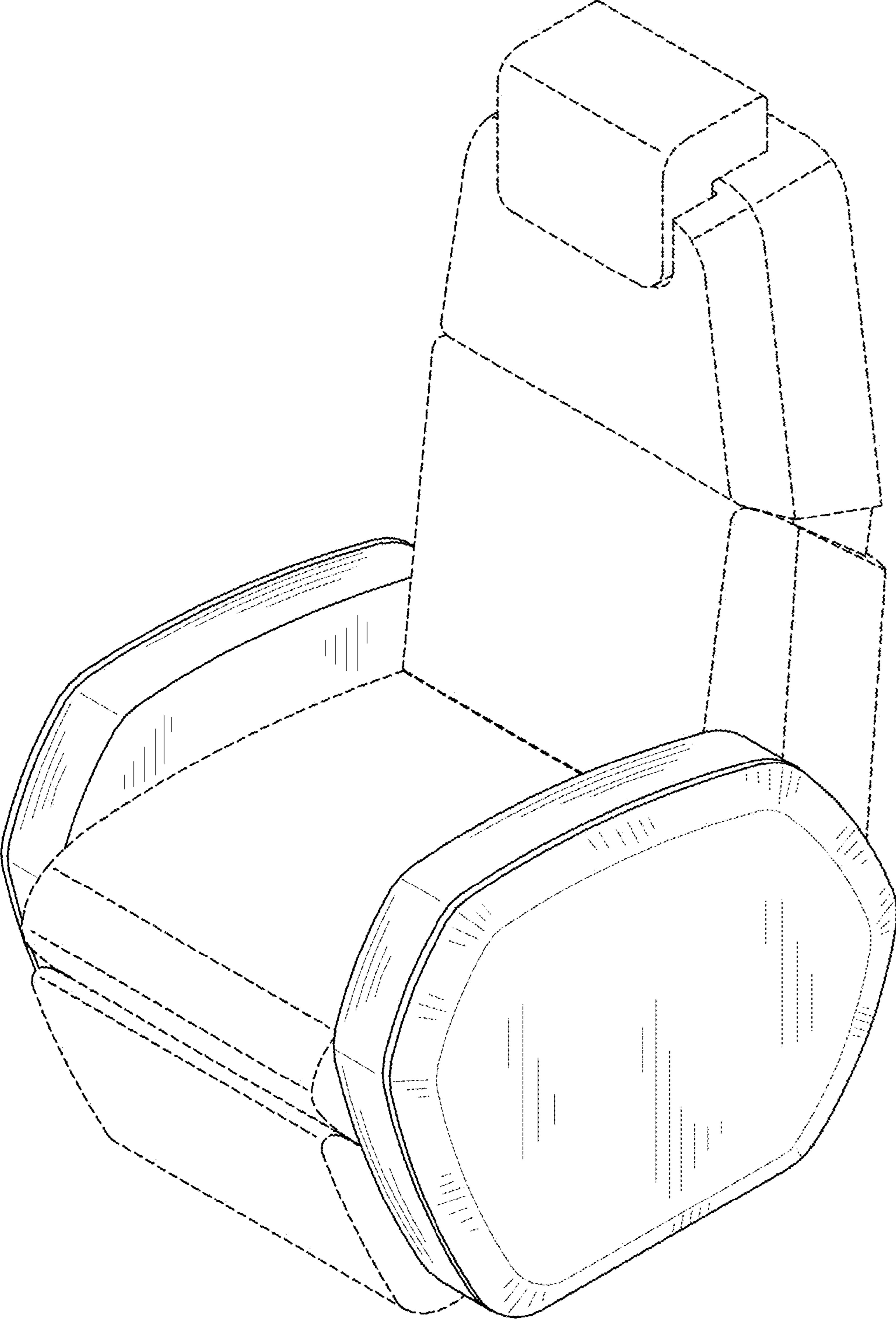


FIG. 1

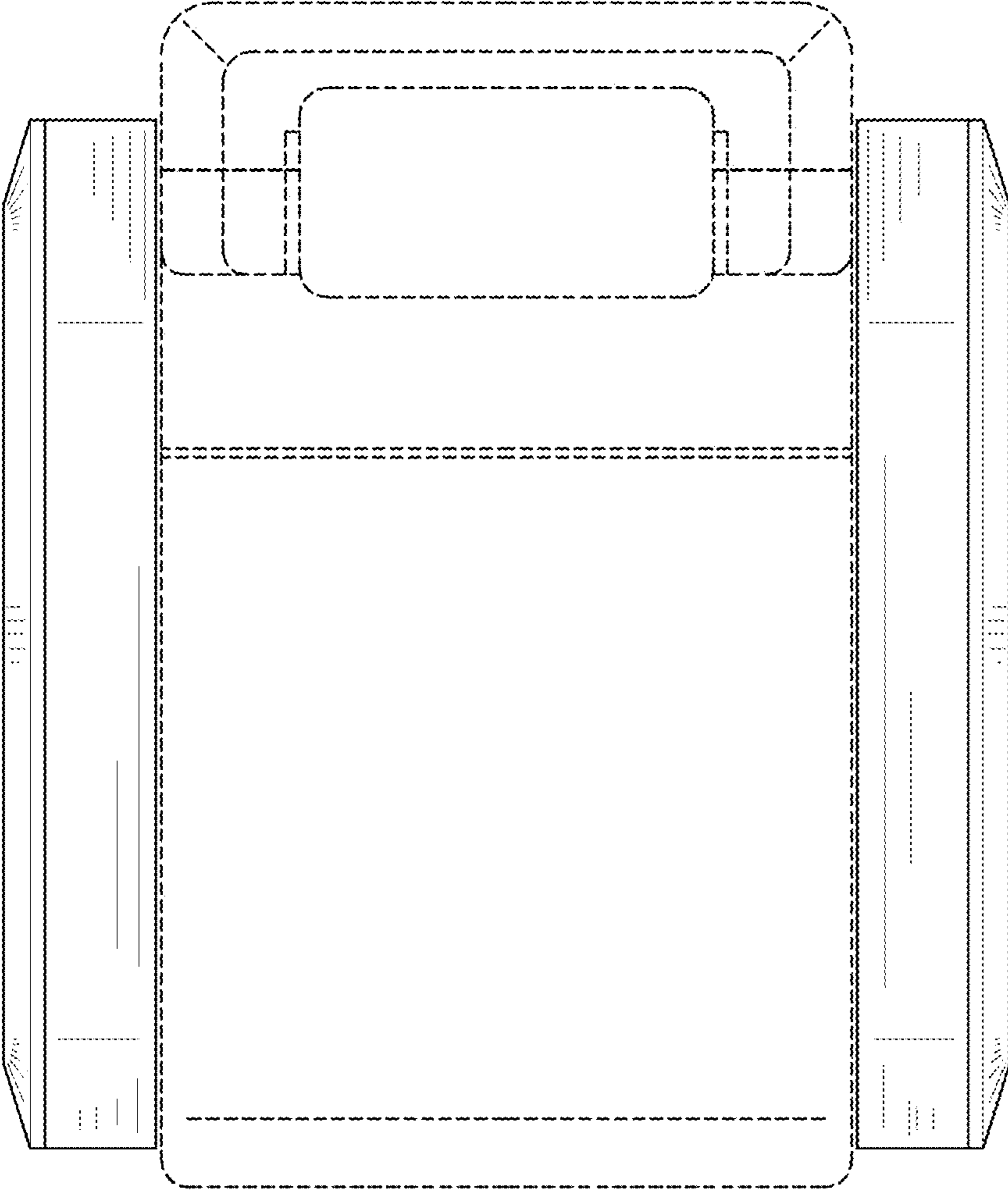


FIG. 2

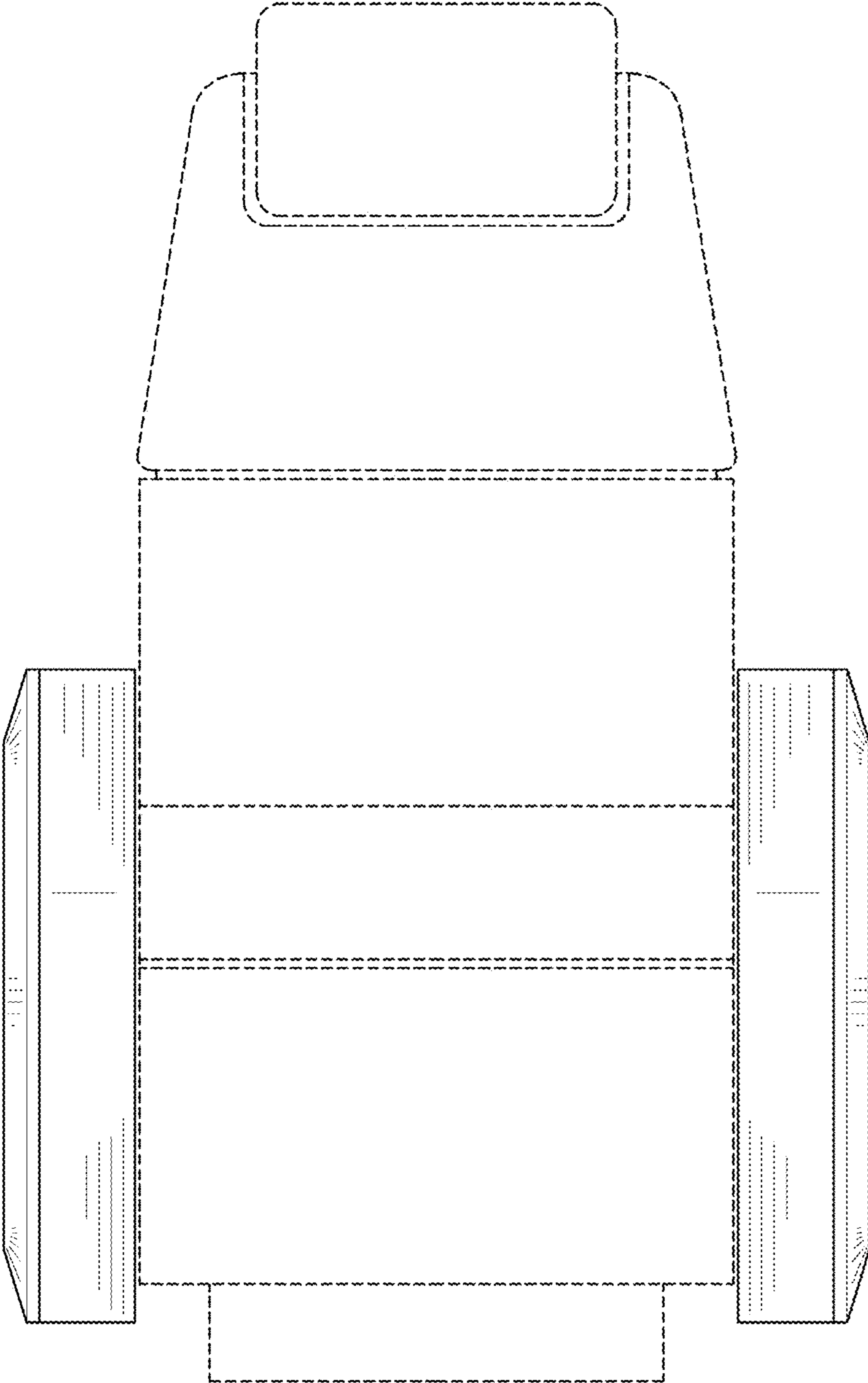


FIG. 3

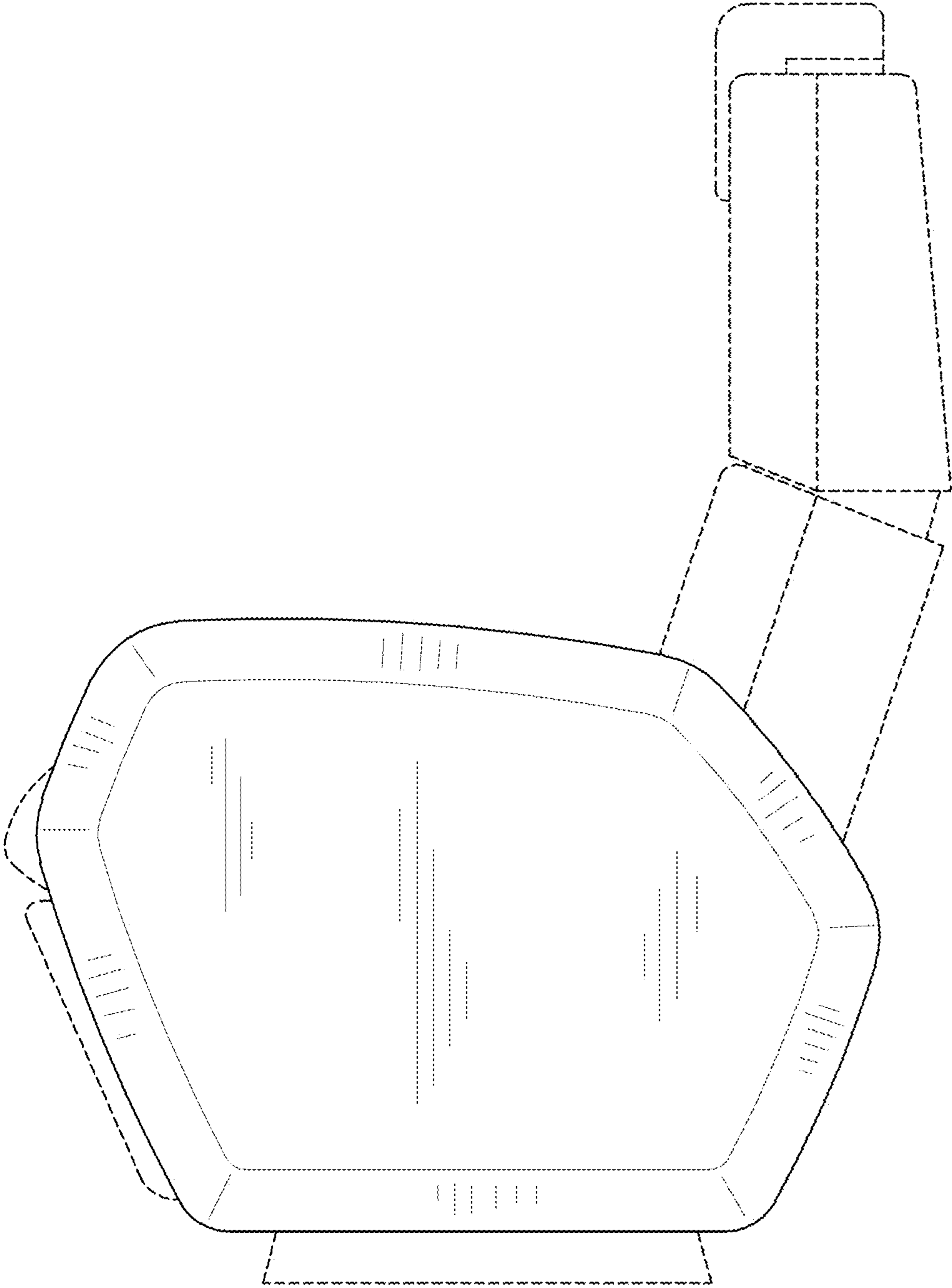


FIG. 4

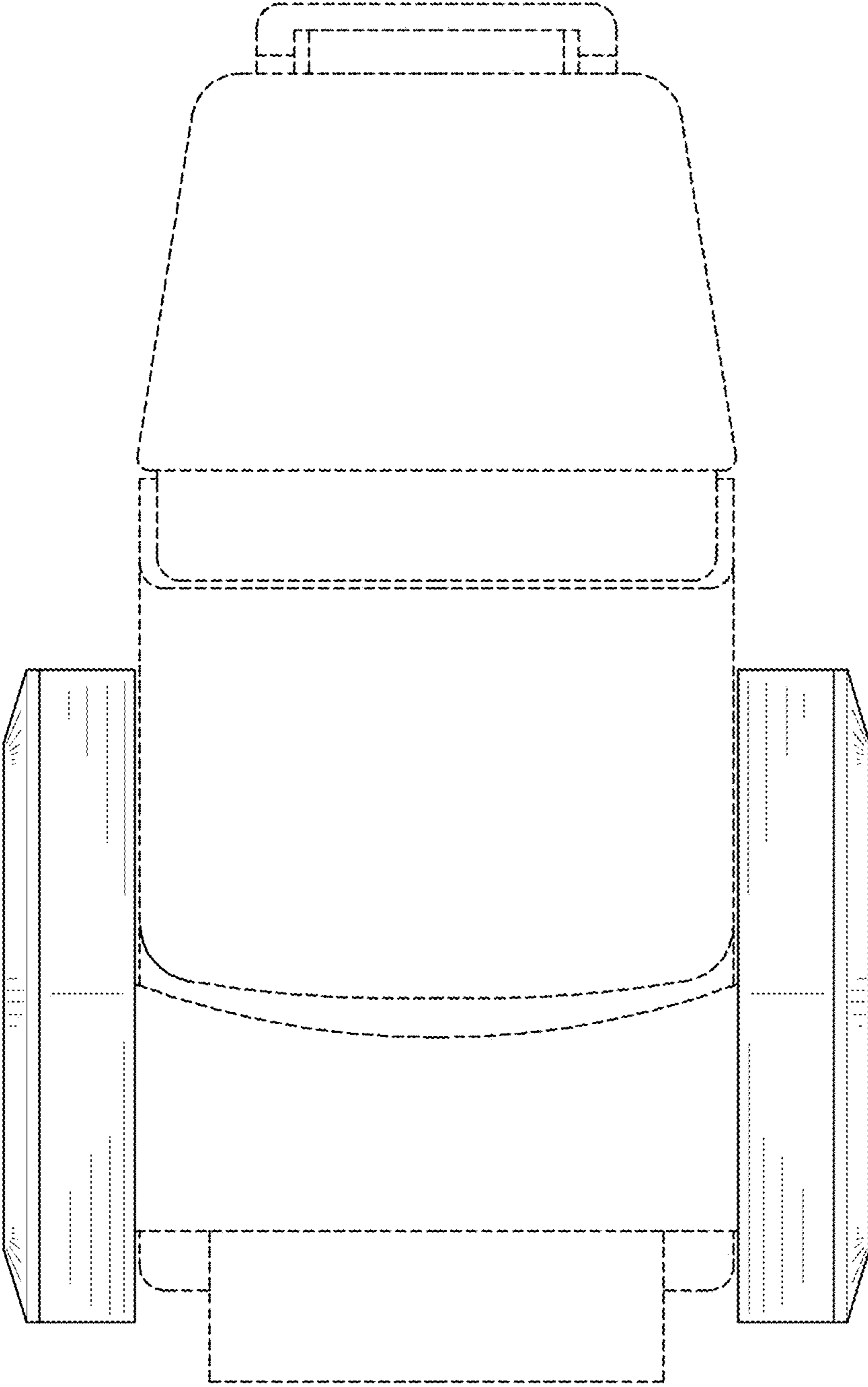


FIG. 5

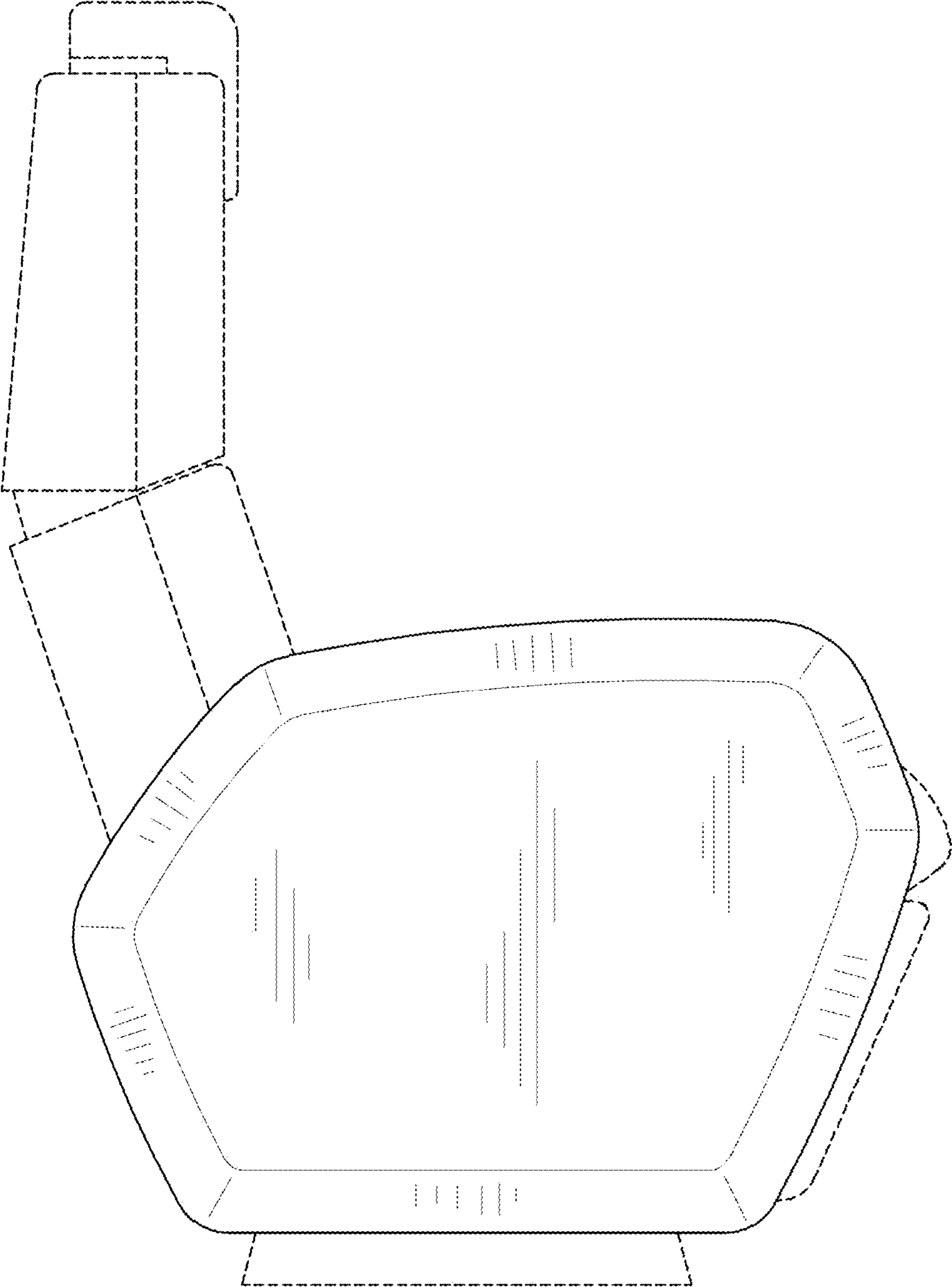


FIG. 6

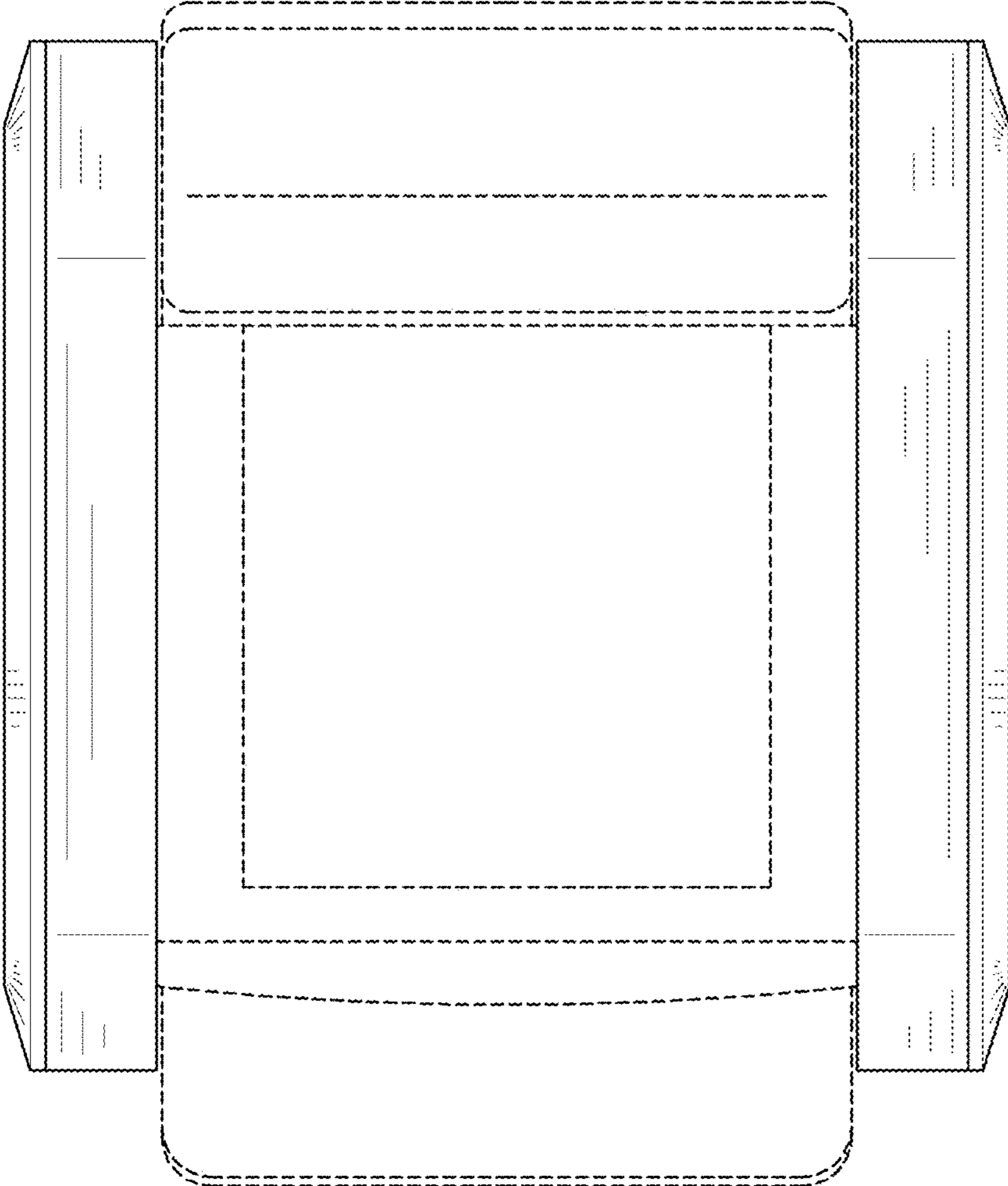


FIG. 7