

US00D966766S

(12) **United States Design Patent** (10) **Patent No.:** **US D966,766 S**
Wang (45) **Date of Patent:** **** Oct. 18, 2022**

(54) **CHAIR BASE**

(71) Applicant: **Lili Wang**, Shenzhen (CN)

(72) Inventor: **Lili Wang**, Shenzhen (CN)

(**) Term: **15 Years**

(21) Appl. No.: **29/836,193**

(22) Filed: **Apr. 25, 2022**

(51) **LOC (13) Cl.** **06-06**

(52) **U.S. Cl.**
USPC **D6/708**

(58) **Field of Classification Search**
USPC D6/335, 367, 368, 716, 716.4, 347, 708,
D6/708.16, 708.17, 708.19, 708.22,
D6/708.23, 709, 712; D21/521
CPC A47B 5/00; A47B 2013/026; A47B
2200/0032; A47B 3/12; A47B 3/02; A47B
3/0803; A47C 1/02; A47C 1/14; A47C
1/03244; A47C 1/032; A47C 3/18; A47C
4/20; A47C 4/28; A47C 4/30; A47C 4/42;
A47C 4/46; A47C 4/54; A47C 4/286;
A47C 7/06; A47C 7/24; A47C 7/66;
A47C 7/68; A47C 7/62; A47C 7/624;
A47C 7/622; A47C 7/407; A47C 7/425;
A47C 9/06; A47C 9/00; A47C 9/10;
A47C 9/105; A47C 11/00; A47C 11/005;
A47C 15/00; A47C 21/00; A47C 31/00;
A47C 4/02; A47C 7/004; A01M 31/00;
A01M 31/02; A01M 31/025; A45F 3/22;
A45F 3/24; A47G 9/06; A61G 7/10;
A63B 63/00; B60N 2/04; B25H 1/14;
B25H 1/12; B25H 1/04; E04H 15/30;
F16M 11/22; F16M 11/041; F16M 11/14;
F16M 11/32; F16M 2200/028; F42B
12/38; F41A 23/14; F41A 23/16; F41A
23/18; F41C 27/00; F16B 12/48; Y10S
135/901

See application file for complete search history.

(56) **References Cited**

U.S. PATENT DOCUMENTS

1,295,265 A * 2/1919 Bradley A47C 4/286
248/431
1,371,263 A * 3/1921 Reed A47B 13/04
248/431
1,940,565 A * 12/1933 Schott A47B 3/12
108/154
2,710,733 A * 6/1955 Phillips A47B 3/12
248/431
D199,315 S * 10/1964 Smith, Jr. 108/157.17

(Continued)

FOREIGN PATENT DOCUMENTS

GB 2113085 A * 8/1983 A47C 7/004

Primary Examiner — Kevin K Rudzinski
Assistant Examiner — Paul D Bohannon

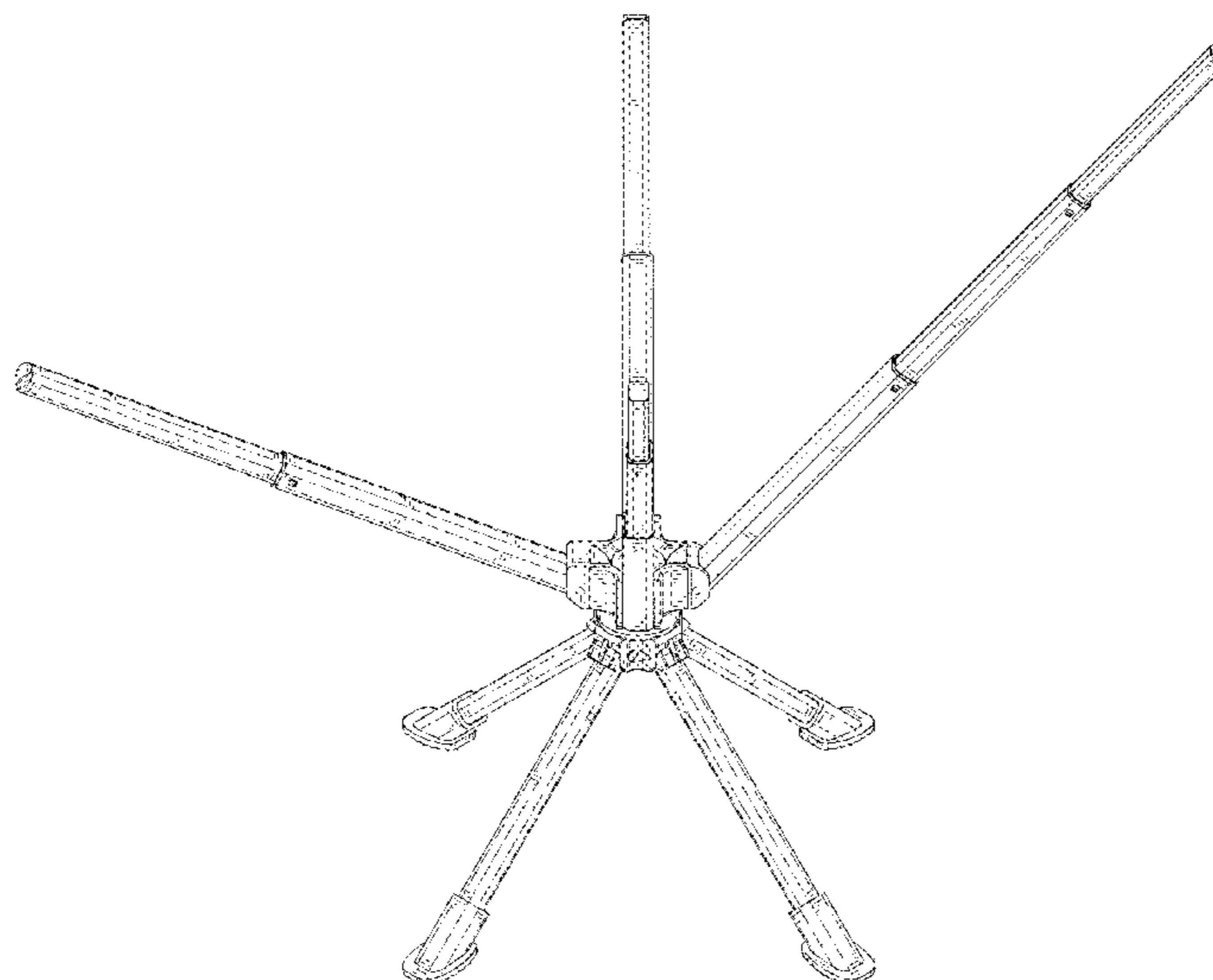
(57) **CLAIM**

The ornamental design for a chair base, as shown and described.

DESCRIPTION

FIG. 1 is a front and top perspective view of a chair base, showing my new design;
FIG. 2 is a rear and bottom perspective view thereof;
FIG. 3 is a front elevation view thereof;
FIG. 4 is a rear elevation view thereof;
FIG. 5 is a left side elevation view thereof;
FIG. 6 is a right side elevation view thereof;
FIG. 7 is a top plan view thereof;
FIG. 8 is a bottom plan view thereof; and,
FIG. 9 is another perspective view thereof, shown in a using position.
The broken lines in the figures illustrate portions of the chair base that form no part of the claimed design. The broken lines of a chair in FIG. 9 shown in the drawings depict environmental structure that form no part of the claimed design.

1 Claim, 9 Drawing Sheets



(56)

References Cited

U.S. PATENT DOCUMENTS

3,160,121	A *	12/1964	Bedol	A47B 3/12 108/118
3,242,887	A *	3/1966	Haydock	A47B 3/02 248/431
4,697,772	A *	10/1987	Kosugi	F16M 11/2064 264/293
D295,005	S *	4/1988	Murry	D6/708
D295,803	S *	5/1988	Weitzman	D6/709
5,029,795	A *	7/1991	Dexter	F16M 11/041 248/431
6,688,566	B1 *	2/2004	Crain	G01C 15/00 248/168
D525,833	S *	8/2006	Segal	D7/637
D899,111	S	10/2020	Ngo		
D917,604	S *	4/2021	Zeng	D16/244
D920,421	S *	5/2021	Li	D16/244
11,295,713	B1 *	4/2022	Li	F16M 11/38
2004/0118985	A1 *	6/2004	Omps	F16M 11/041 248/187.1
2006/0086869	A1 *	4/2006	Hsieh	F16M 11/16 248/171
2006/0175483	A1 *	8/2006	Osaka	F16M 11/28 248/177.1
2006/0175484	A1 *	8/2006	Wood, III	F16M 11/32 248/177.1
2006/0202098	A1 *	9/2006	Hsieh	F16M 11/242 248/404
2007/0152115	A1 *	7/2007	Chou	F16M 13/00 248/181.1
2008/0078914	A1 *	4/2008	Liao	G10D 13/28 248/435
2010/0282926	A1 *	11/2010	Shen	F16M 11/36 248/179.1

* cited by examiner

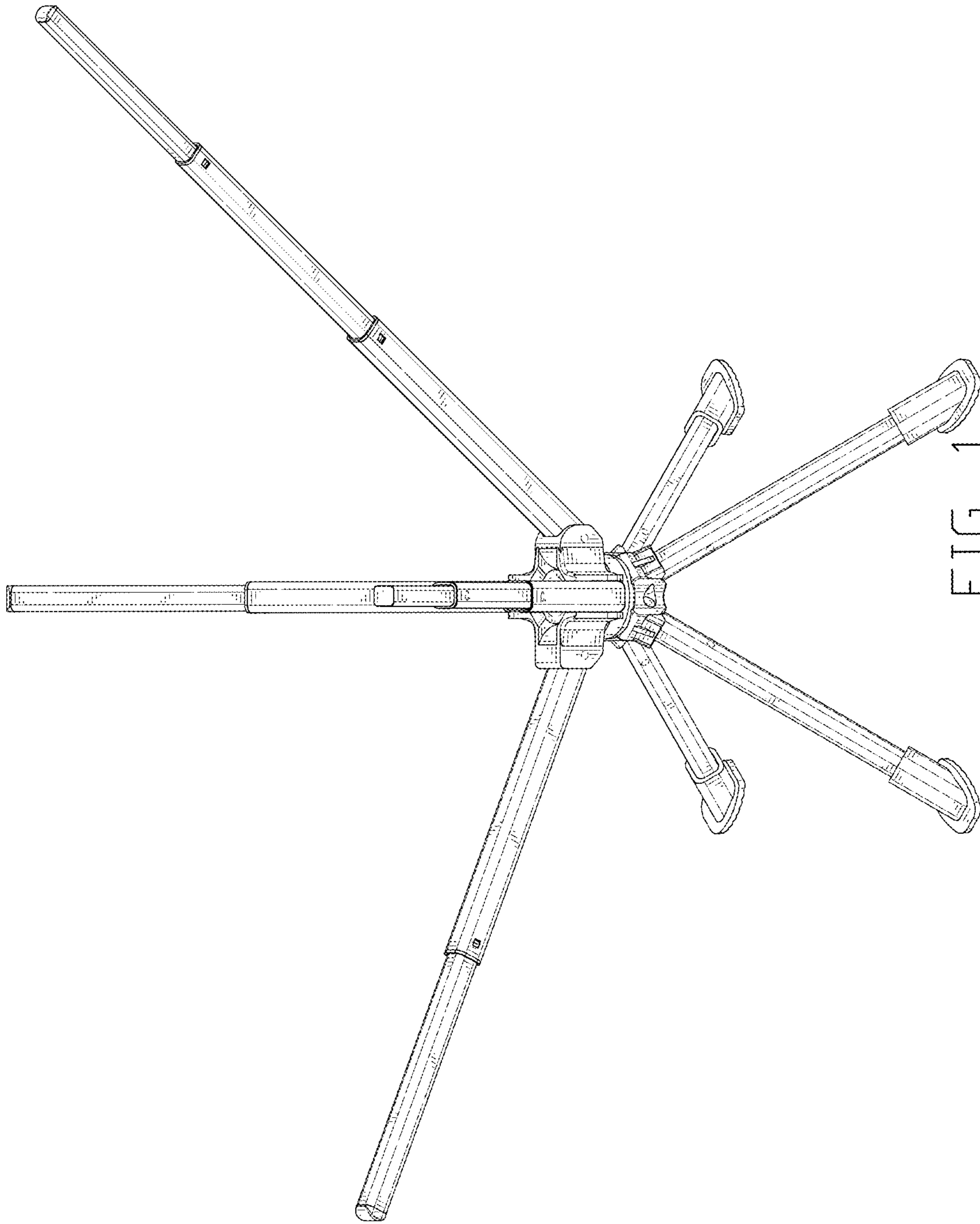


FIG. 1

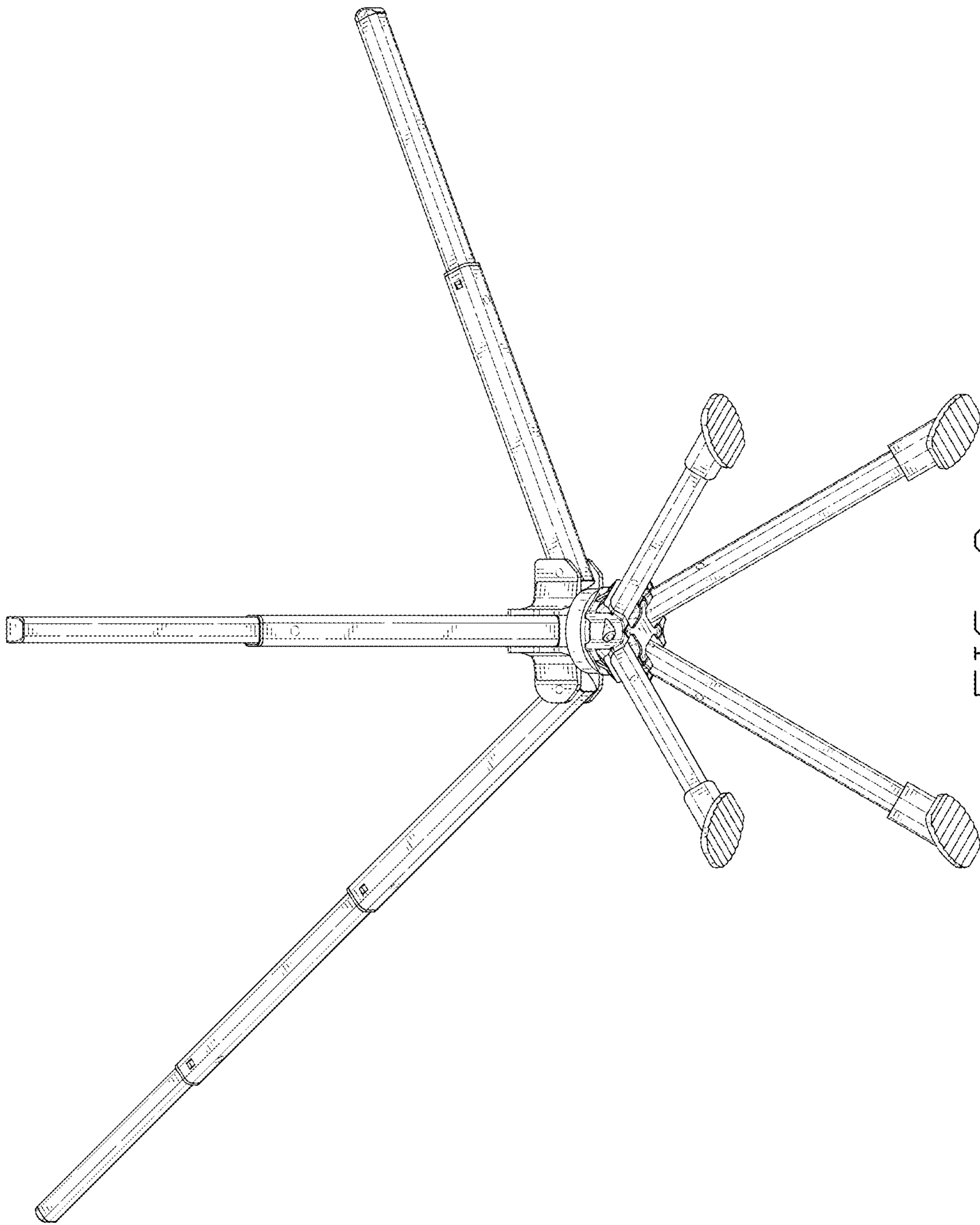


FIG. 2

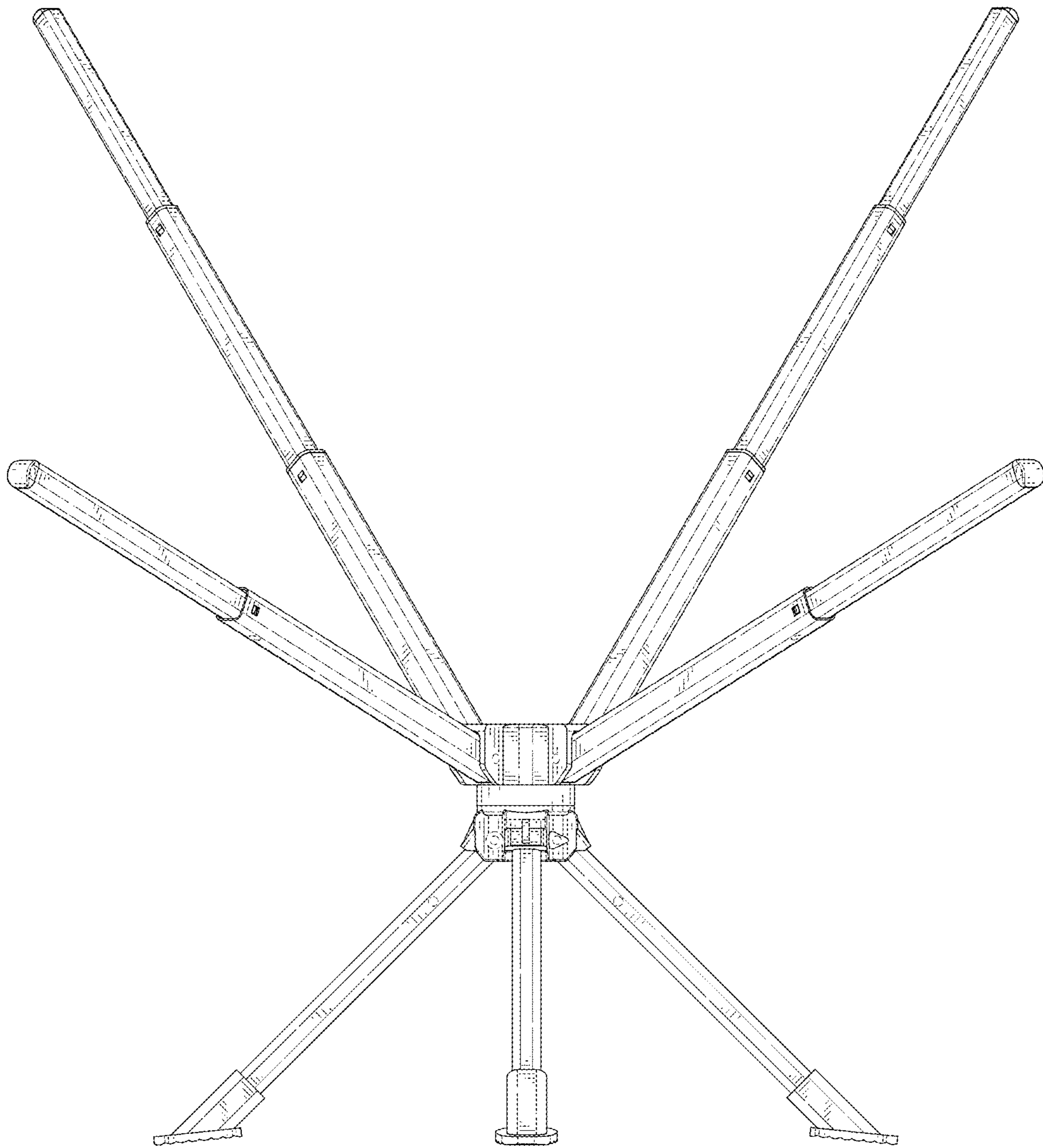


FIG. 3

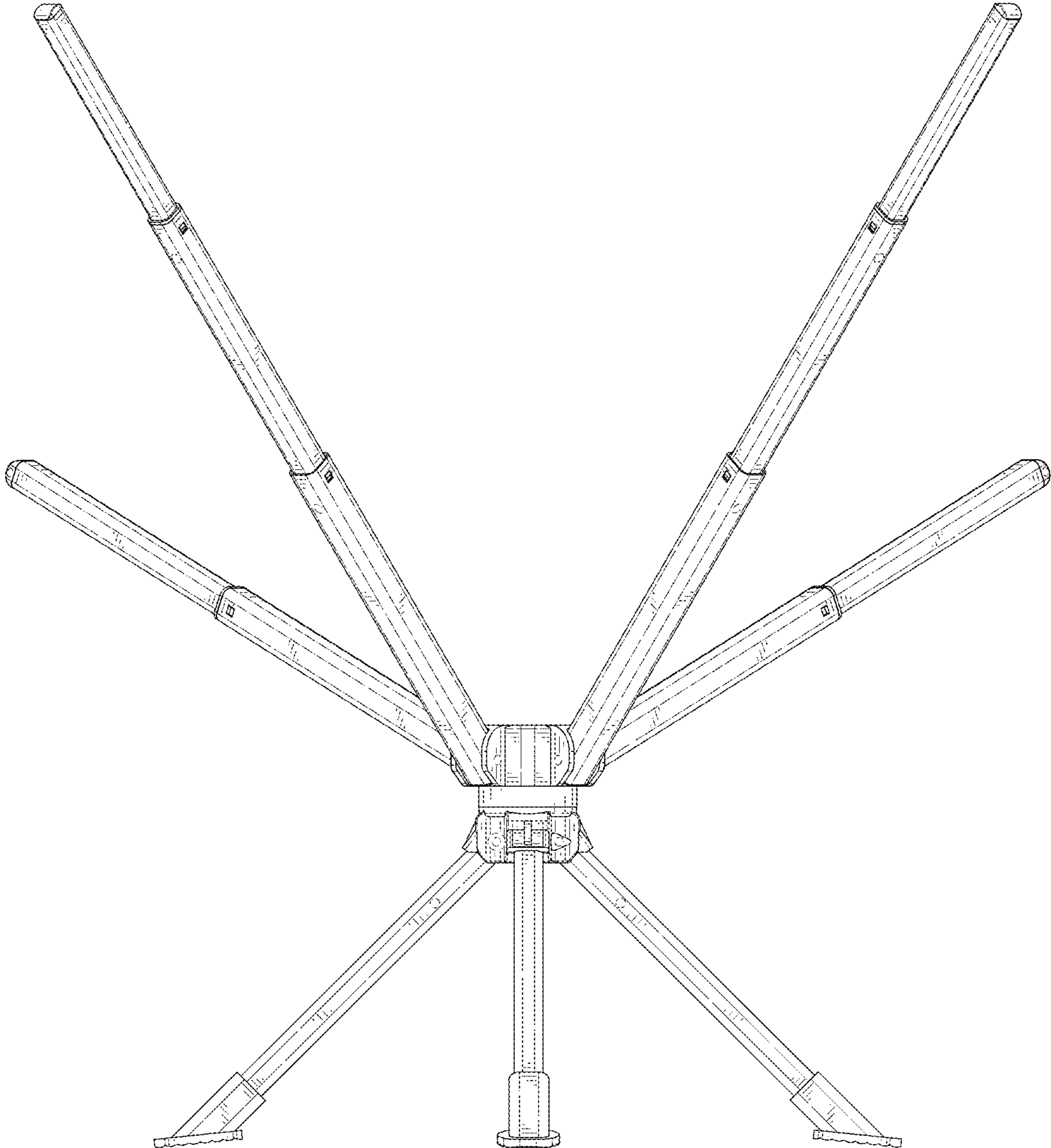


FIG. 4

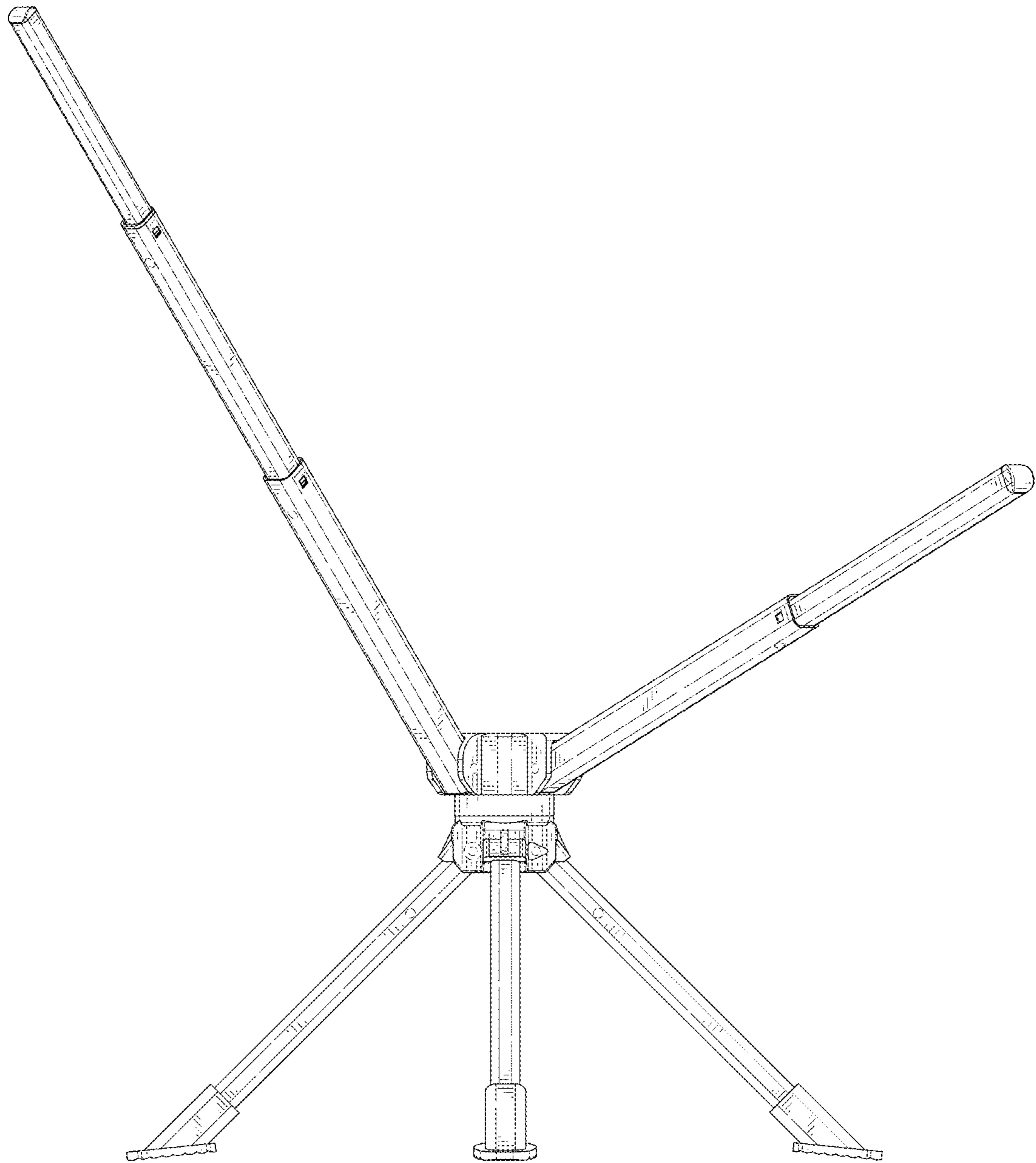


FIG. 5

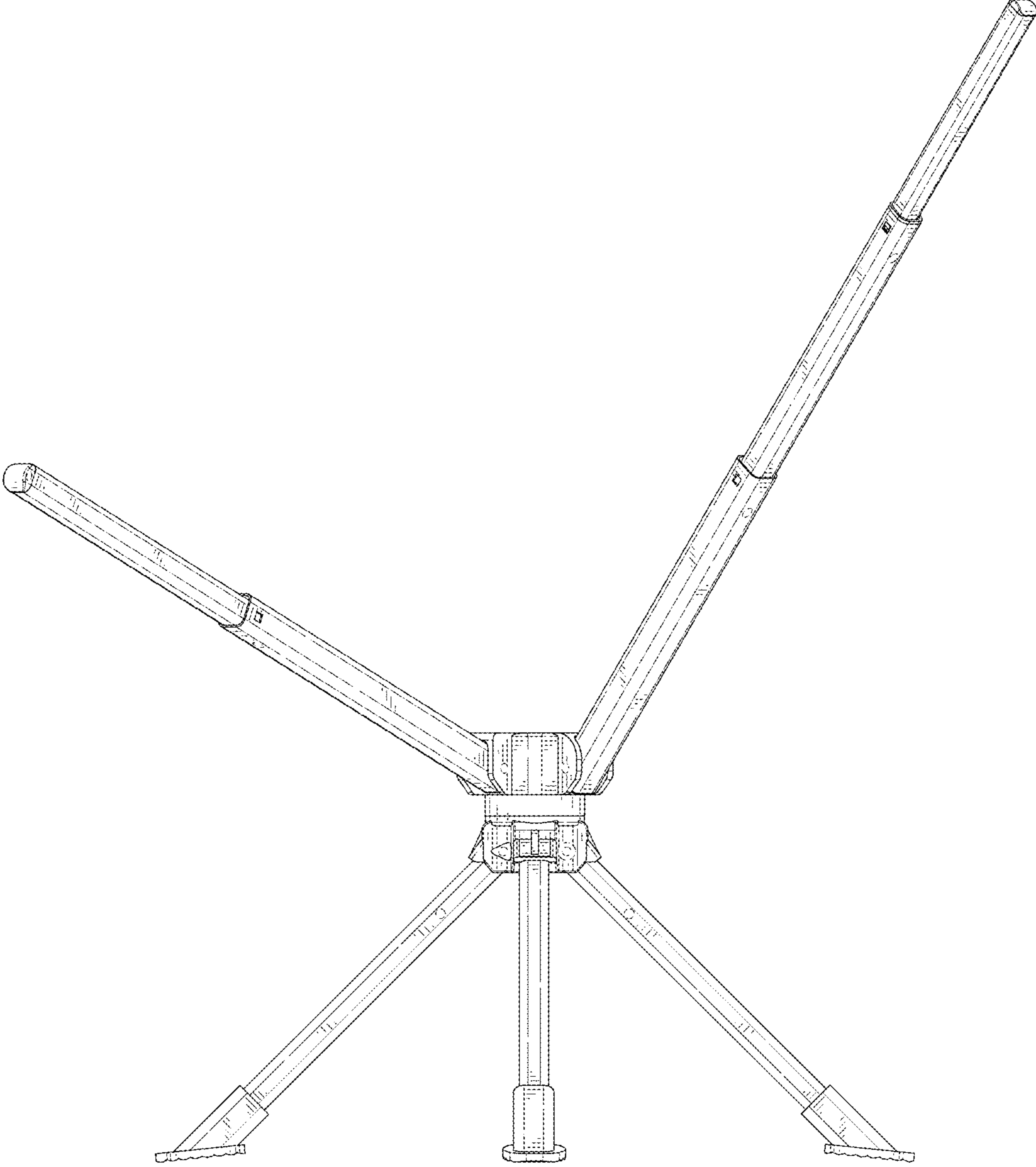


FIG. 6

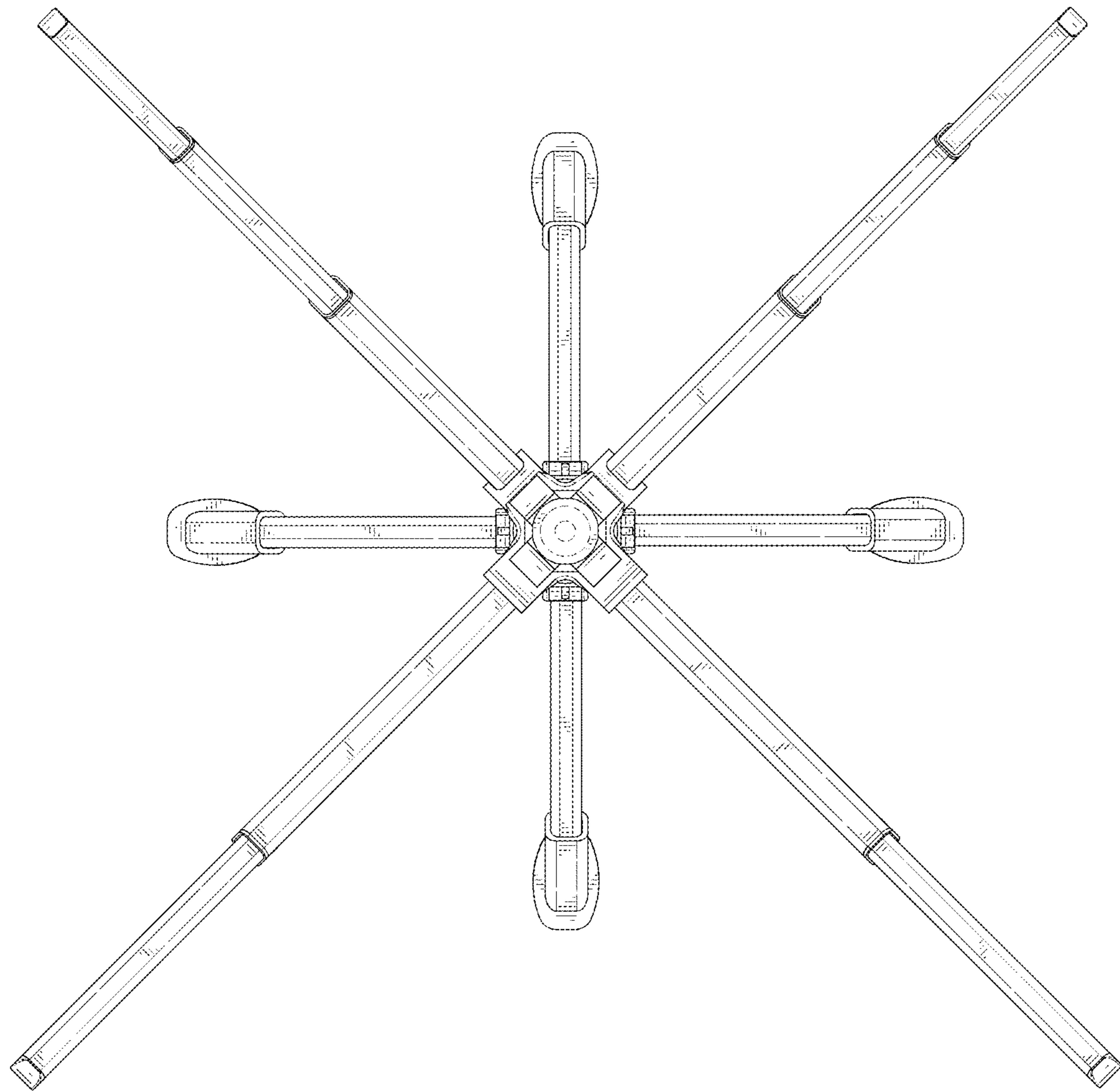


FIG. 7

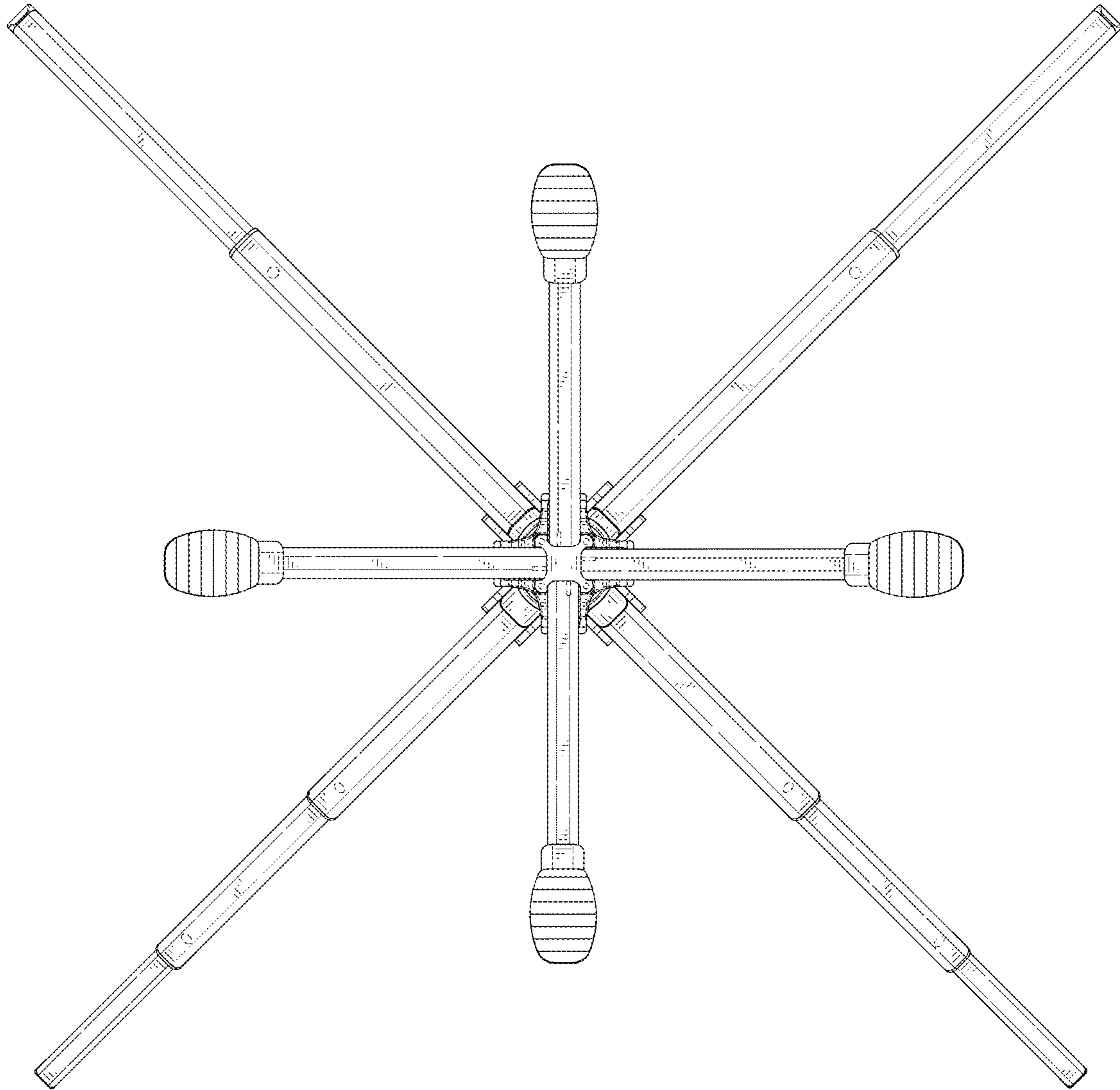


FIG. 8

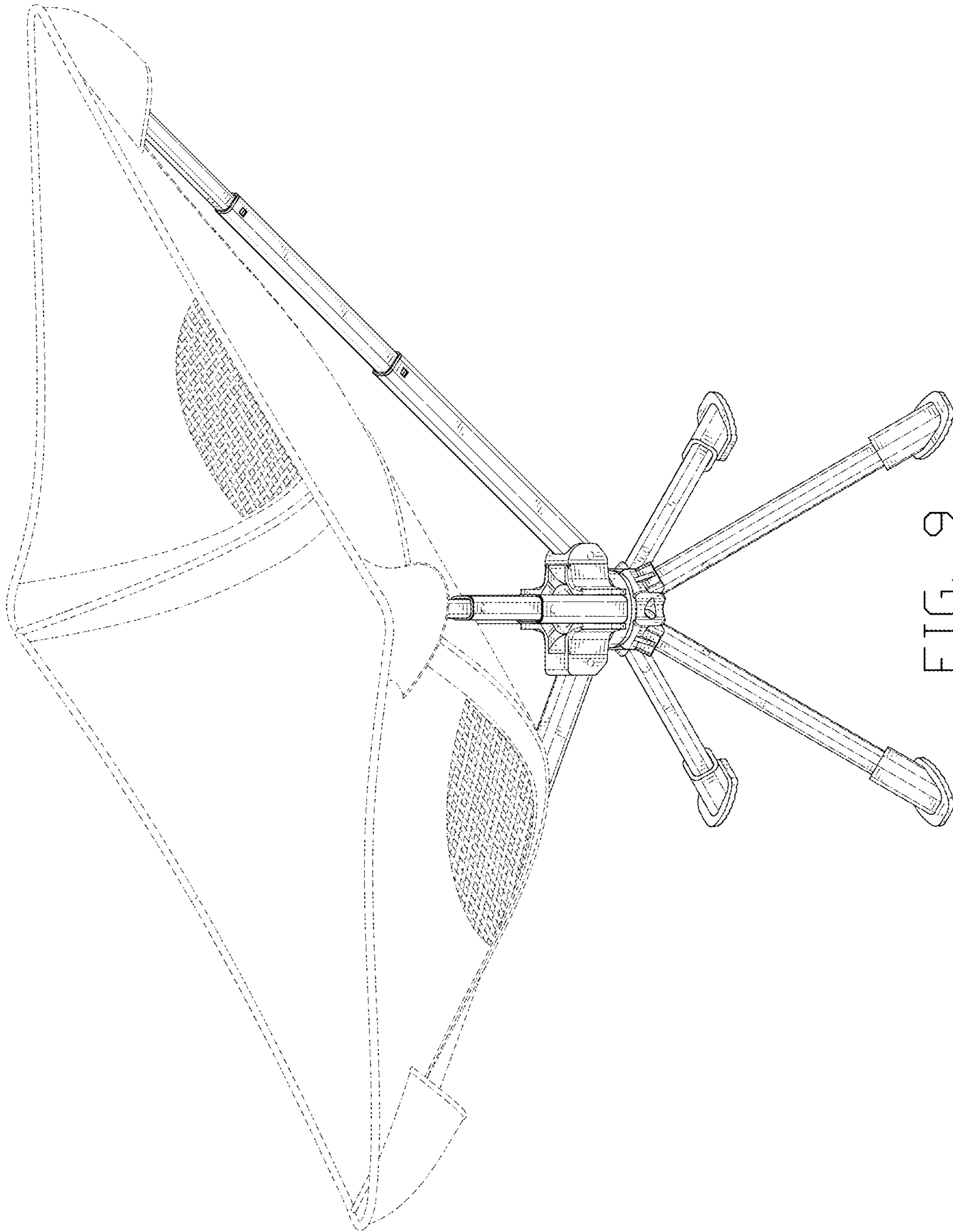


FIG. 9